



US00D793775S

(12) **United States Design Patent** (10) **Patent No.:** **US D793,775 S**
Kelly (45) **Date of Patent:** **** Aug. 8, 2017**

(54) **STORAGE AND DISPLAY UNIT**
(71) Applicant: **Joseph Patrick Kelly**, Dublin (IE)
(72) Inventor: **Joseph Patrick Kelly**, Dublin (IE)
(73) Assignee: **K. Hartwell OY AB** (FI)
(**) Term: **15 Years**
(21) Appl. No.: **29/567,334**
(22) Filed: **Jun. 8, 2016**

(30) **Foreign Application Priority Data**
Dec. 8, 2015 (EM) 002900597-0003
(51) **LOC (10) Cl.** **06-06**
(52) **U.S. Cl.**
USPC **D6/675**
(58) **Field of Classification Search**
USPC D6/672, 673, 675, 682, 682.1, 683;
D3/304, 307, 308, 309, 314-315, 328
CPC A47F 1/04; A47F 5/005; A47F 1/12; A47F
3/02; A47F 7/285; A47F 3/00; A47F
3/0486; A47F 3/0439; A47F 7/00; A47F
5/0043
See application file for complete search history.

(56) **References Cited**
U.S. PATENT DOCUMENTS
3,608,705 A * 9/1971 Moshel B65D 5/12
206/461
D426,092 S * 6/2000 Neustadt D6/683.1

D467,732 S * 12/2002 Taylor D3/304
D610,304 S * 2/2010 Hong D28/9
D626,747 S * 11/2010 Brown D3/304
D658,882 S * 5/2012 Cullen D3/313
D689,718 S * 9/2013 Puckett D6/683
D702,065 S * 4/2014 Moore D6/682.4
D745,430 S * 12/2015 McLennan D11/155
D760,000 S * 6/2016 Brandes D6/682.3
D761,236 S * 7/2016 Wengreen D14/238.1
D761,369 S * 7/2016 Elsea D21/782
D765,978 S * 9/2016 Widner D3/314
D766,627 S * 9/2016 Wheedleton D6/683

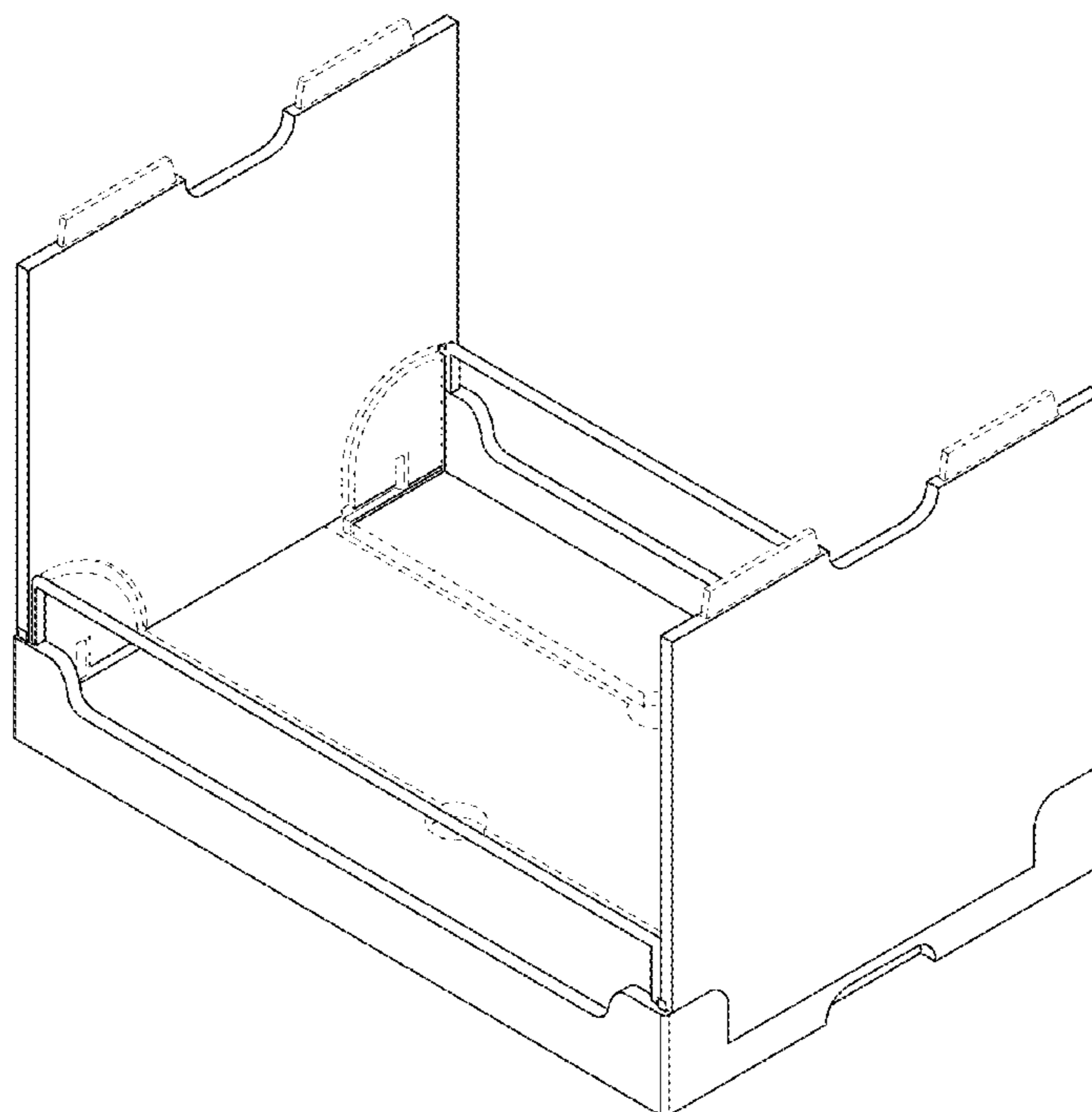
* cited by examiner

Primary Examiner — Kelley Donnelly
(74) *Attorney, Agent, or Firm* — Jeffrey Joyce

(57) **CLAIM**
The ornamental design for a storage and display unit, as shown and described.

DESCRIPTION
FIG. 1 is a perspective view of the storage and display unit according to the invention.
FIG. 2 is a front view of the storage and display unit.
FIG. 3 is a top view of the storage and display unit.
FIG. 4 is a left side view of storage and display unit.
FIG. 5 is a right side view of the storage and display unit.
FIG. 6 is a bottom view of the storage and display unit; and, FIG. 7 is a rear view of the storage and display unit.
The broken lines are for the purpose of illustrating the environment of the article only and form no part of the claimed design.

1 Claim, 7 Drawing Sheets



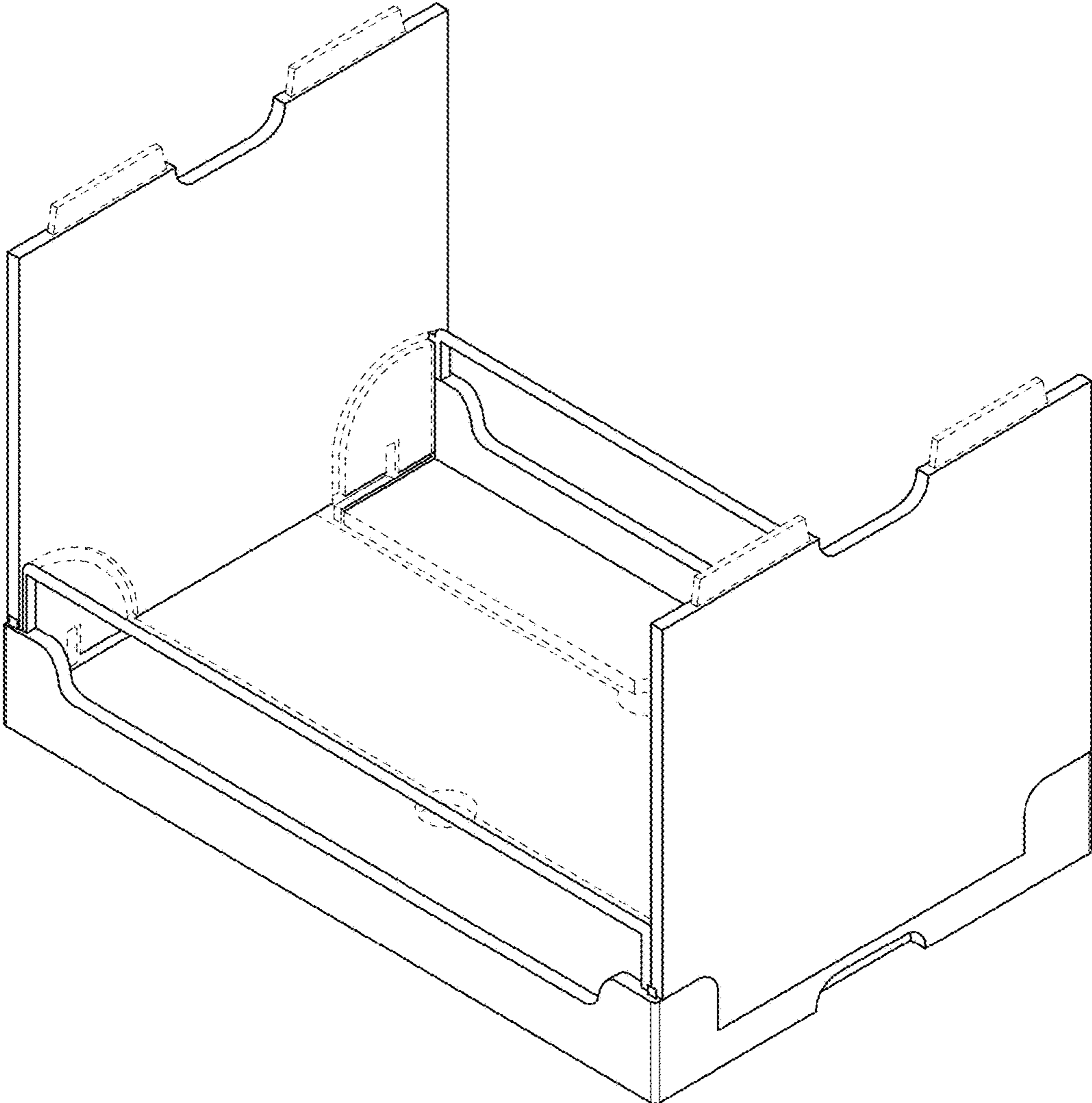


FIG. 1

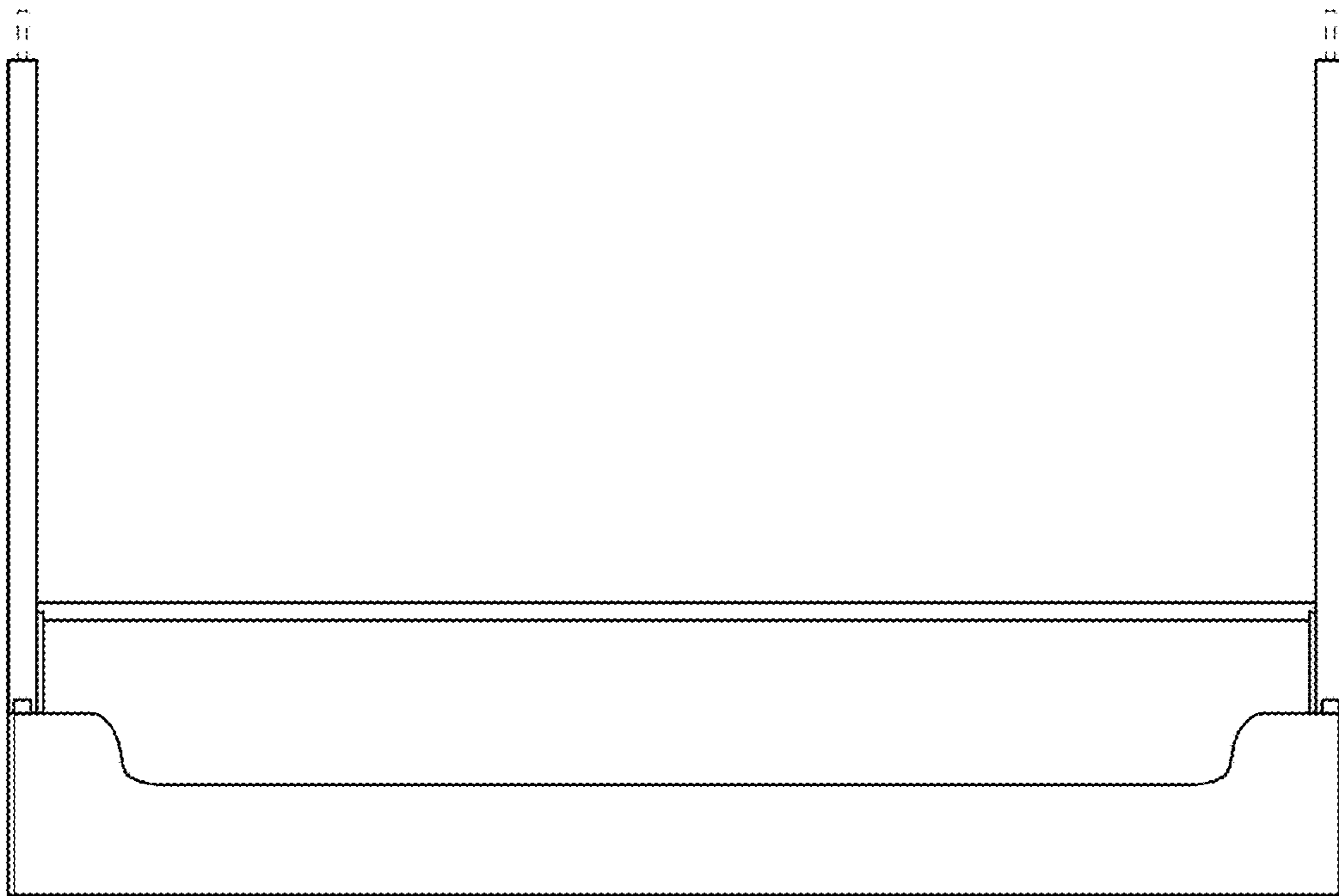


FIG. 2

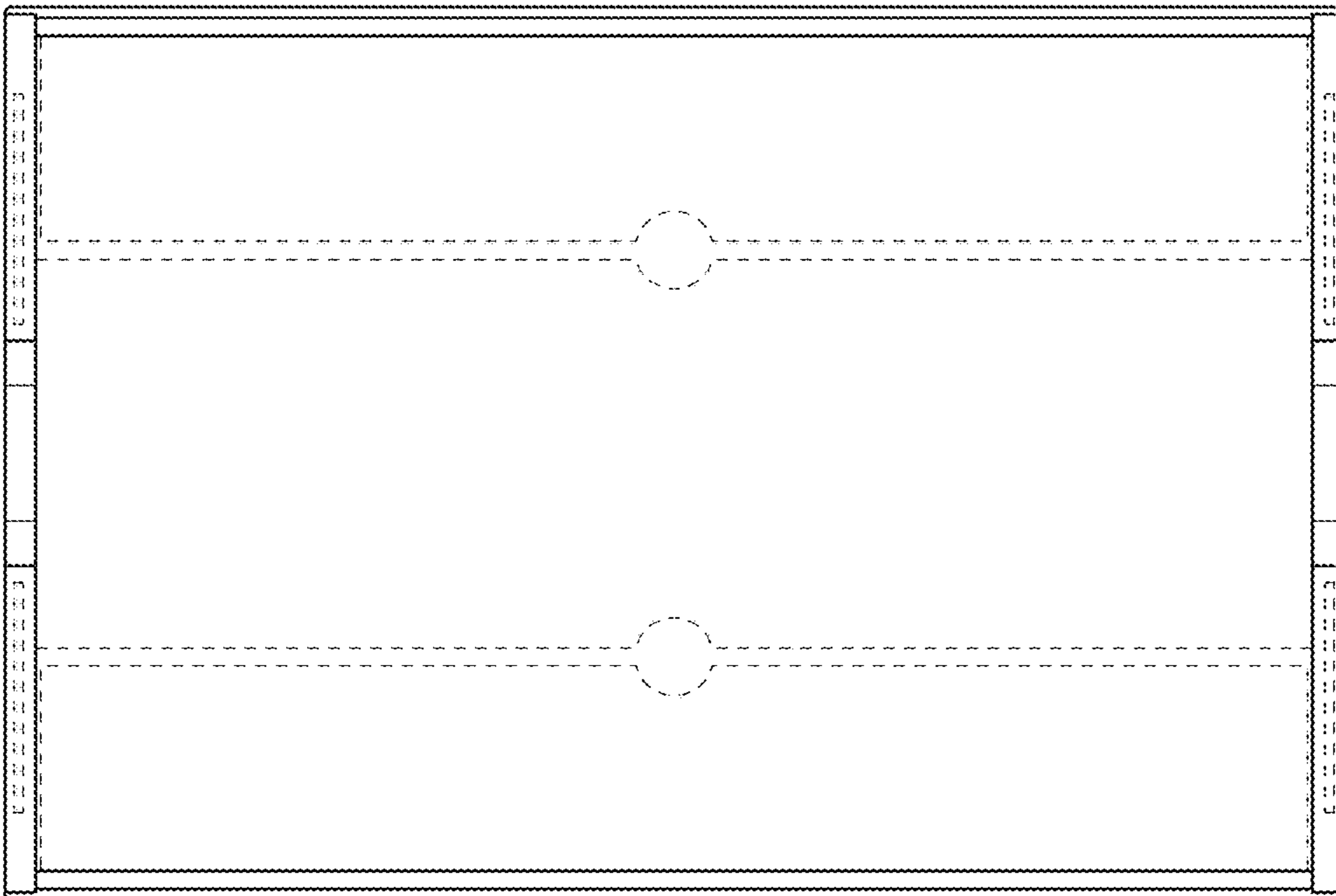


FIG. 3

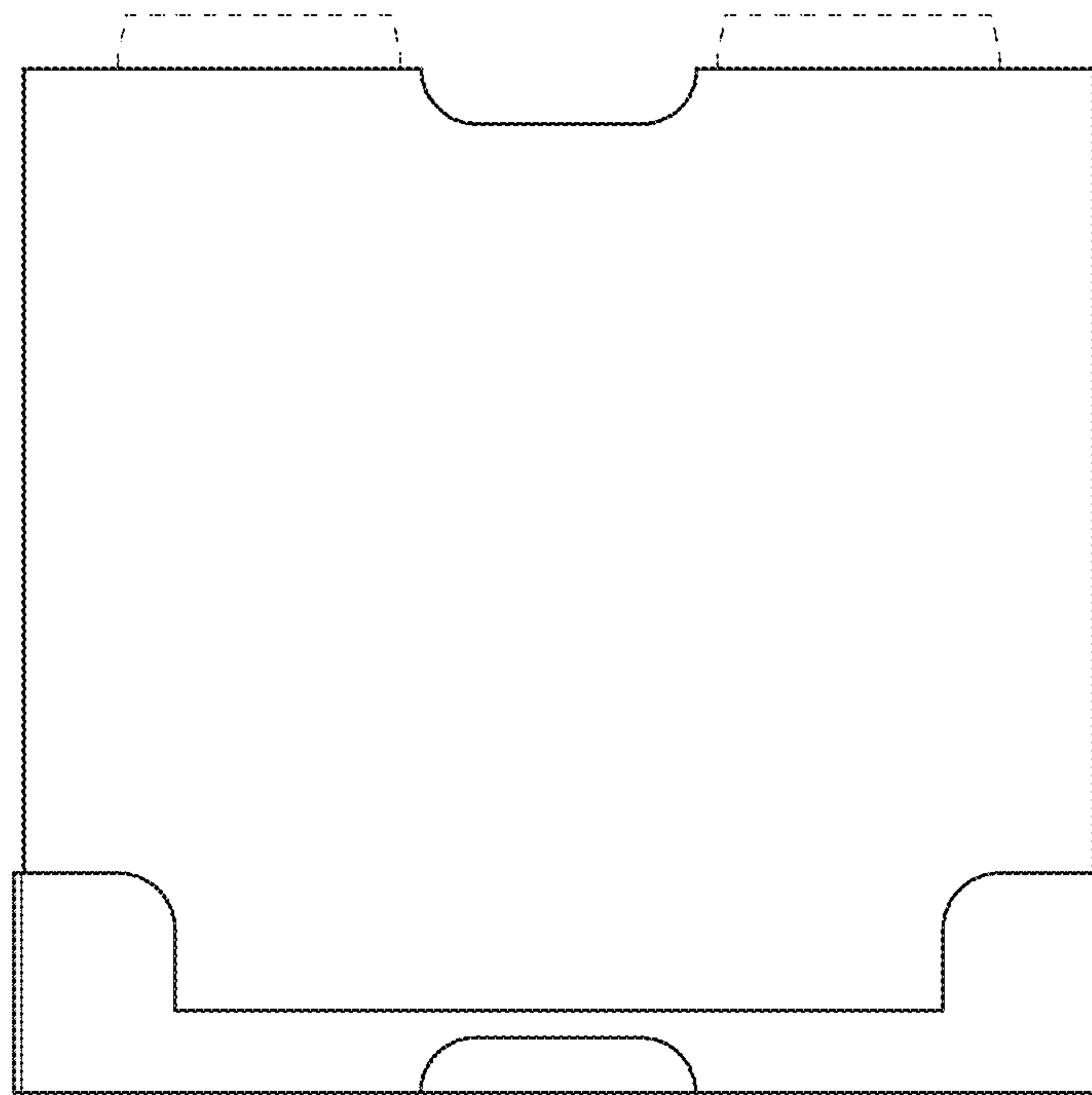


FIG. 4

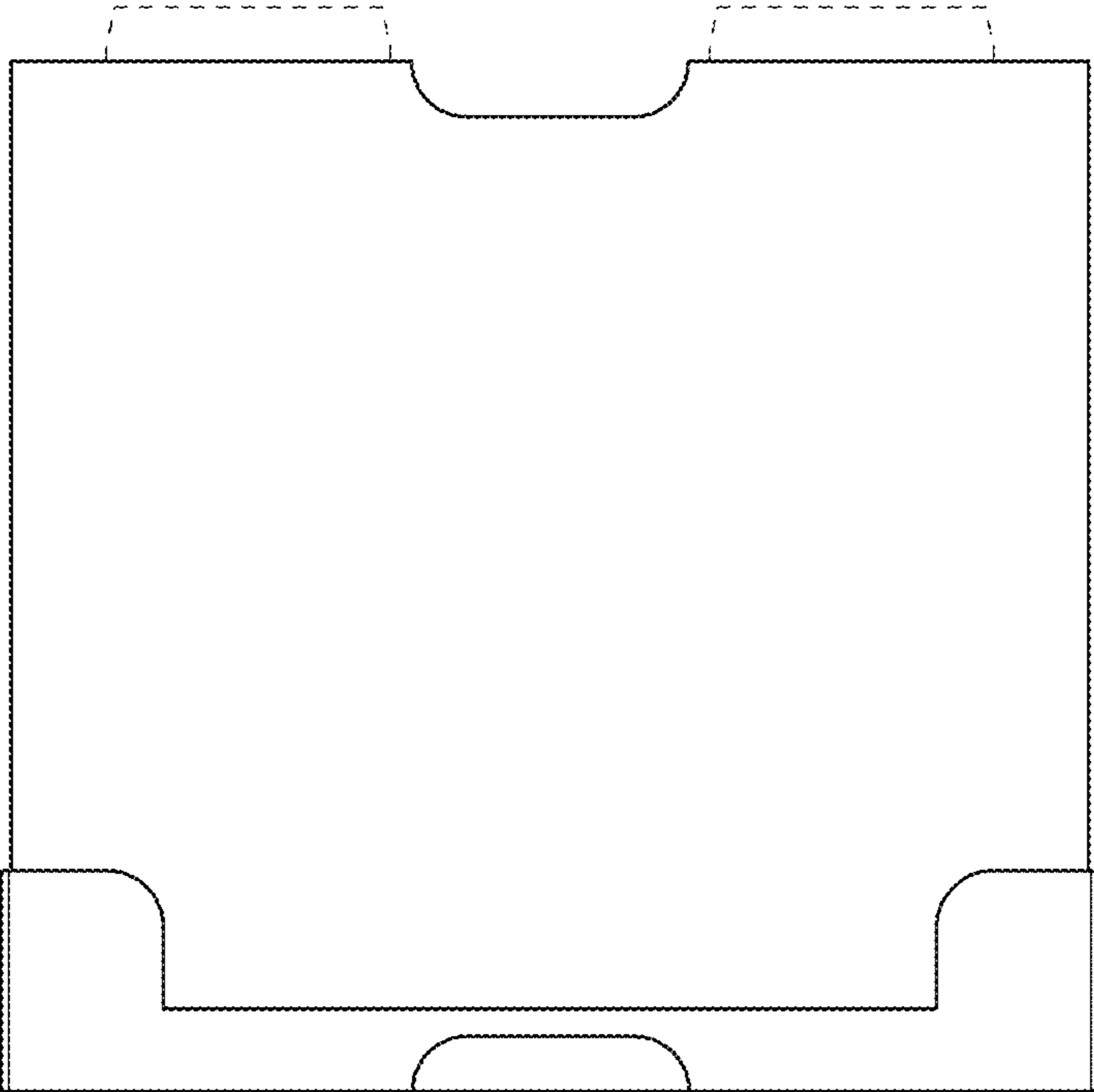


FIG. 5

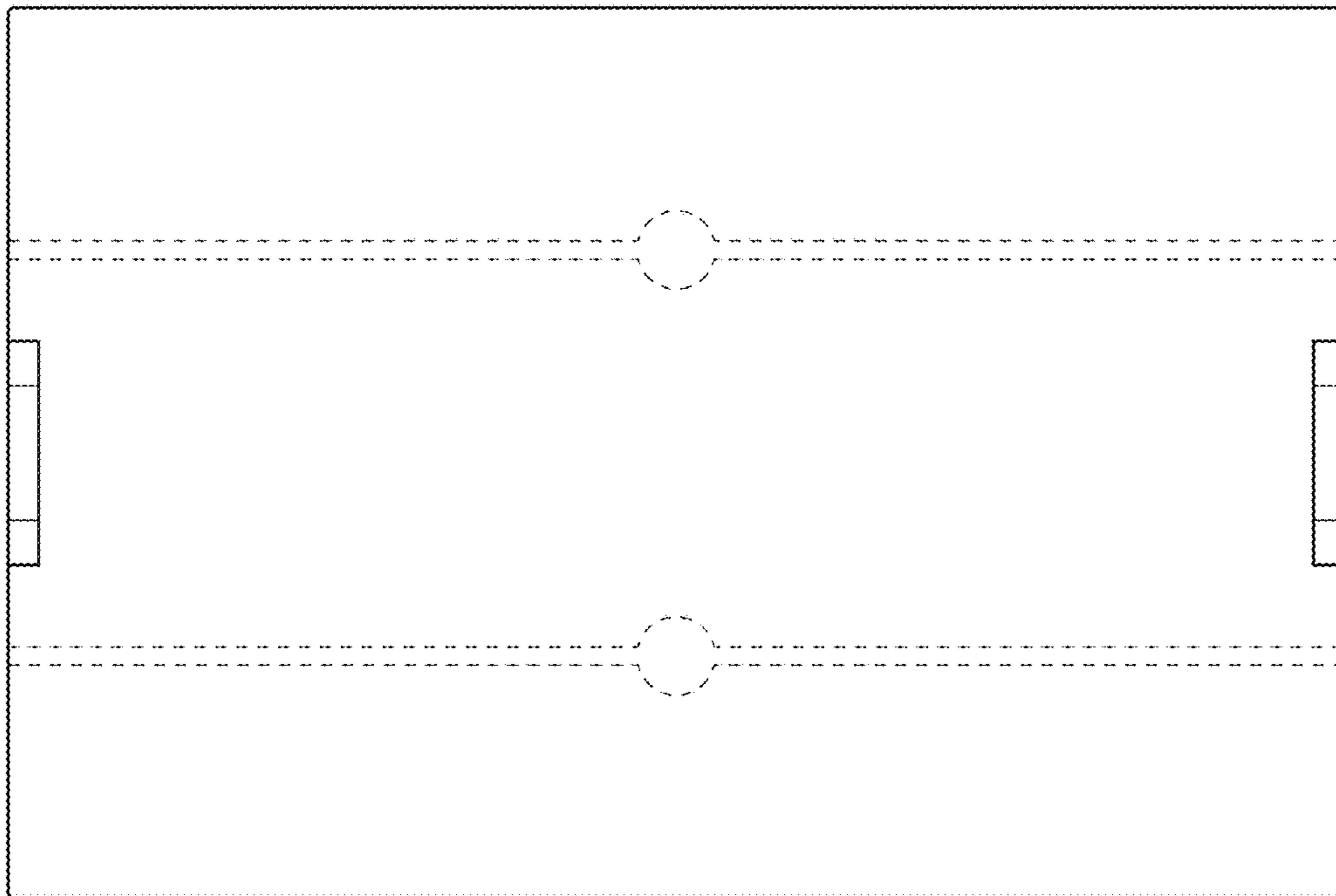


FIG. 6

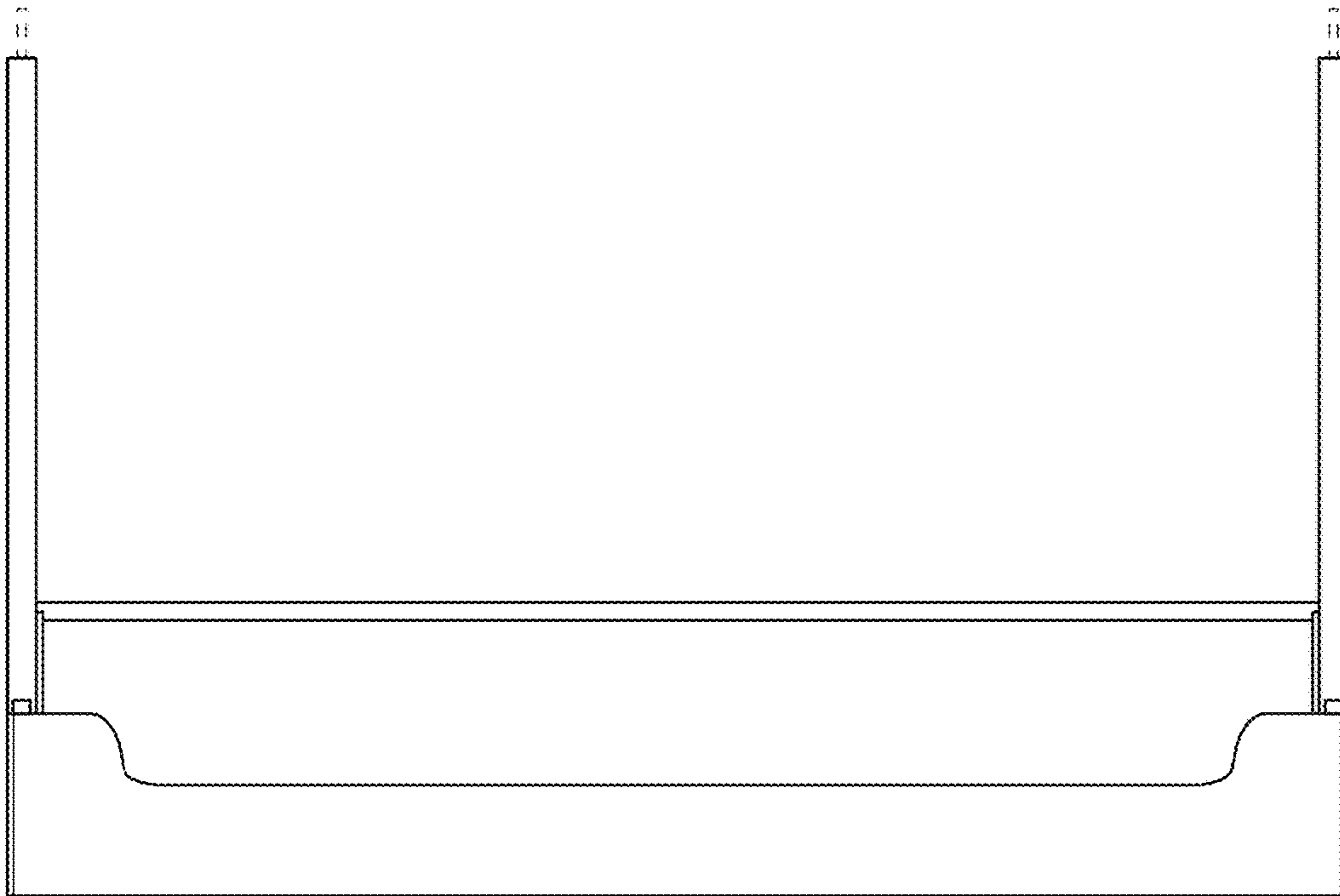


FIG. 7