



US00D793774S

(12) **United States Design Patent**
Kelly

(10) **Patent No.:** **US D793,774 S**
(45) **Date of Patent:** **** Aug. 8, 2017**

- (54) **STORAGE AND DISPLAY UNIT**
- (71) Applicant: **Joseph Patrick Kelly**, Dublin (IE)
- (72) Inventor: **Joseph Patrick Kelly**, Dublin (IE)
- (73) Assignee: **K. Hartwall OY AB**, Söderkulla (FI)
- (**) Term: **15 Years**
- (21) Appl. No.: **29/567,332**
- (22) Filed: **Jun. 8, 2016**

(30) **Foreign Application Priority Data**

Dec. 8, 2015 (EM) 002900597-0002

(51) **LOC (10) Cl.** **06-06**

(52) **U.S. Cl.**
USPC **D6/675**

(58) **Field of Classification Search**

USPC D6/672, 673, 675, 682, 682.1, 683;
D3/304, 307, 308, 309, 314-315, 328
CPC A47F 1/04; A47F 5/005; A47F 1/12; A47F
3/02; A47F 7/285; A47F 3/00; A47F
3/0486; A47F 3/0439; A47F 7/00; A47F
5/0043

See application file for complete search history.

(56) **References Cited**

U.S. PATENT DOCUMENTS

- 3,608,705 A * 9/1971 Moshel B65D 5/12
206/461
- D426,092 S * 6/2000 Neustadt D6/683.1

- D467,732 S * 12/2002 Taylor D3/304
- D610,304 S * 2/2010 Hong D28/9
- D626,747 S * 11/2010 Brown D3/304
- D658,882 S * 5/2012 Cullen D3/313
- D689,718 S * 9/2013 Puckett D6/683
- D702,065 S * 4/2014 Moore D6/682.4
- D745,430 S * 12/2015 McLennan D11/155
- D760,000 S * 6/2016 Brandes D6/682.3
- D761,236 S * 7/2016 Wengreen D14/238.1
- D761,369 S * 7/2016 Elsea D21/782
- D765,978 S * 9/2016 Widner D3/314
- D766,627 S * 9/2016 Wheedleton D6/683

* cited by examiner

Primary Examiner — Kelley Donnelly

(74) *Attorney, Agent, or Firm* — Jeffrey Joyce

(57) **CLAIM**

The ornamental design for a storage and display unit, as shown and described.

DESCRIPTION

FIG. 1 is a perspective view of the storage and display unit according to the invention.

FIG. 2 is a front view of the storage and display unit.

FIG. 3 is a top view of the storage and display unit.

FIG. 4 is a left side view of storage and display unit.

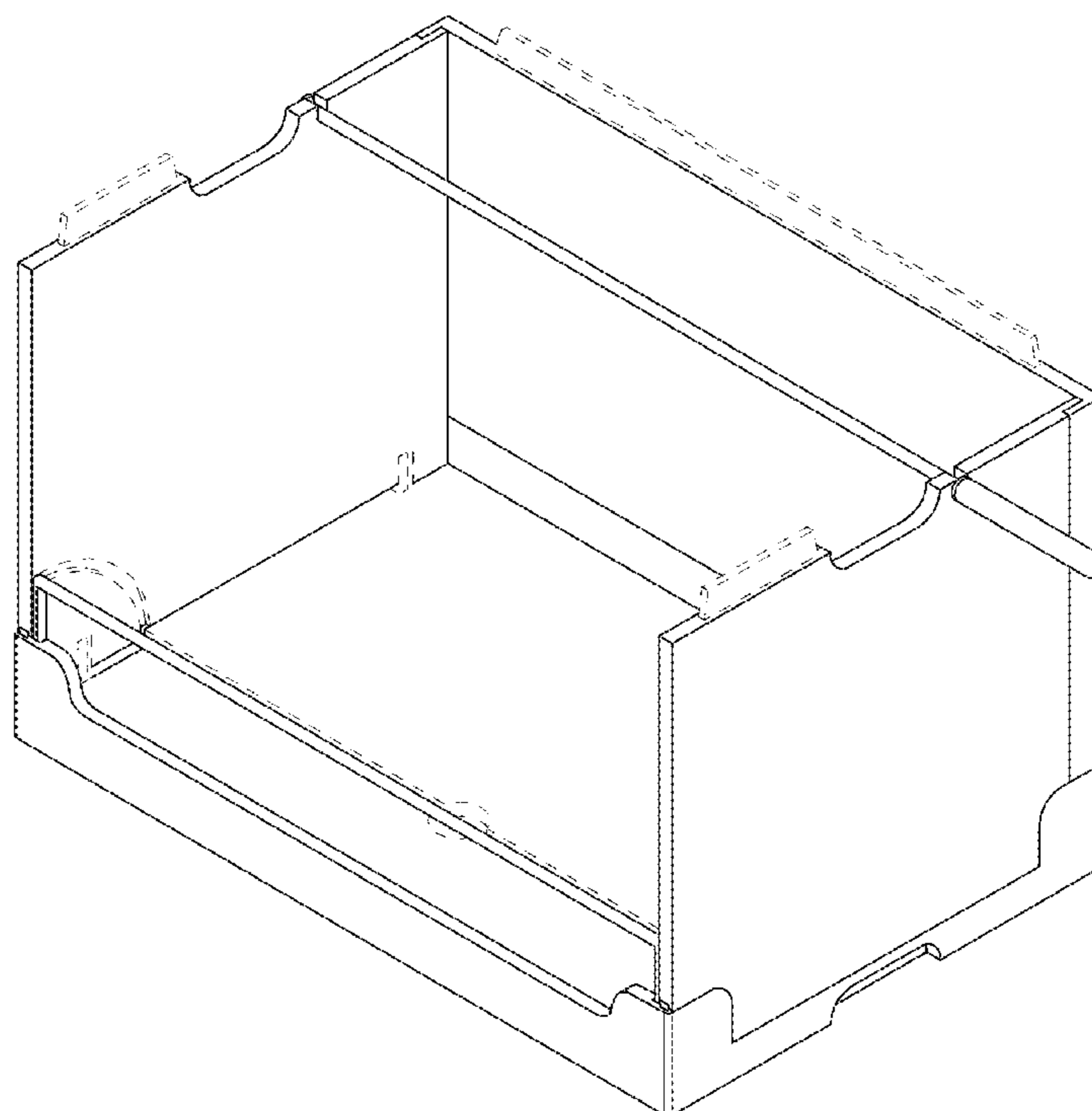
FIG. 5 is a right side view of the storage and display unit.

FIG. 6 is a bottom view of the storage and display unit; and,

FIG. 7 is a rear view of the storage and display unit.

The broken lines are for the purpose of illustrating the environment of the article only and form no part of the claimed design.

1 Claim, 7 Drawing Sheets



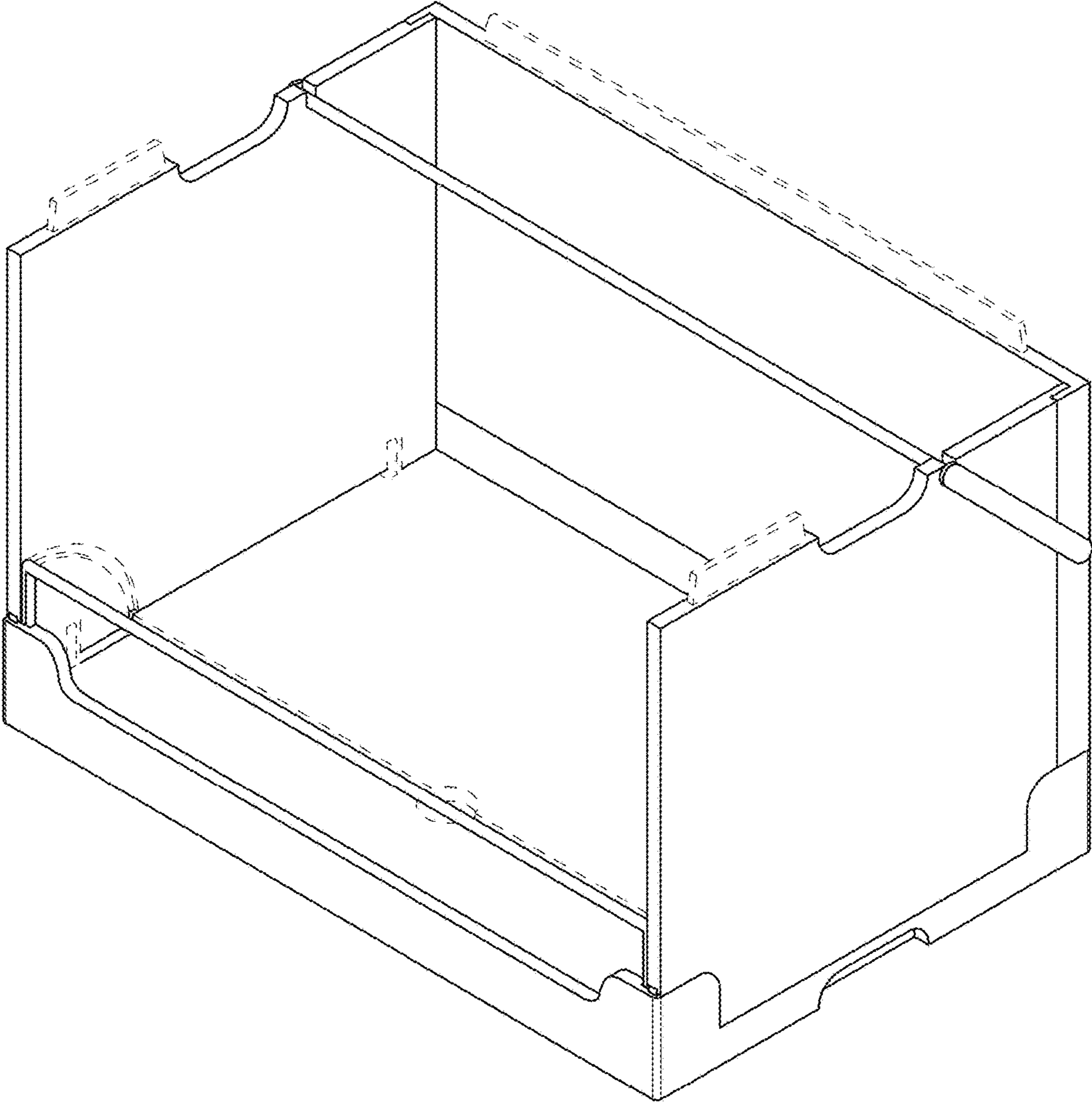


FIG. 1

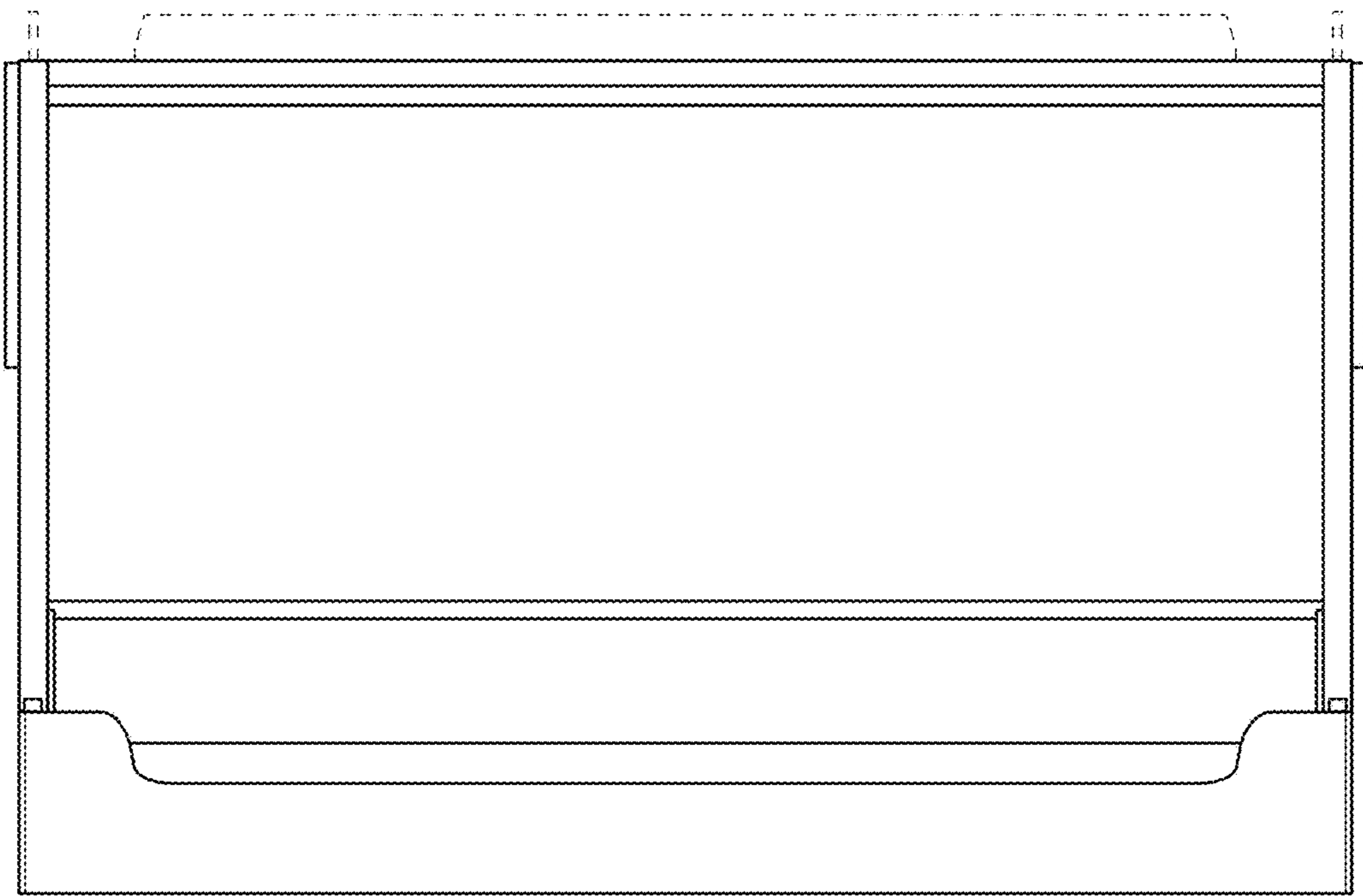


FIG. 2

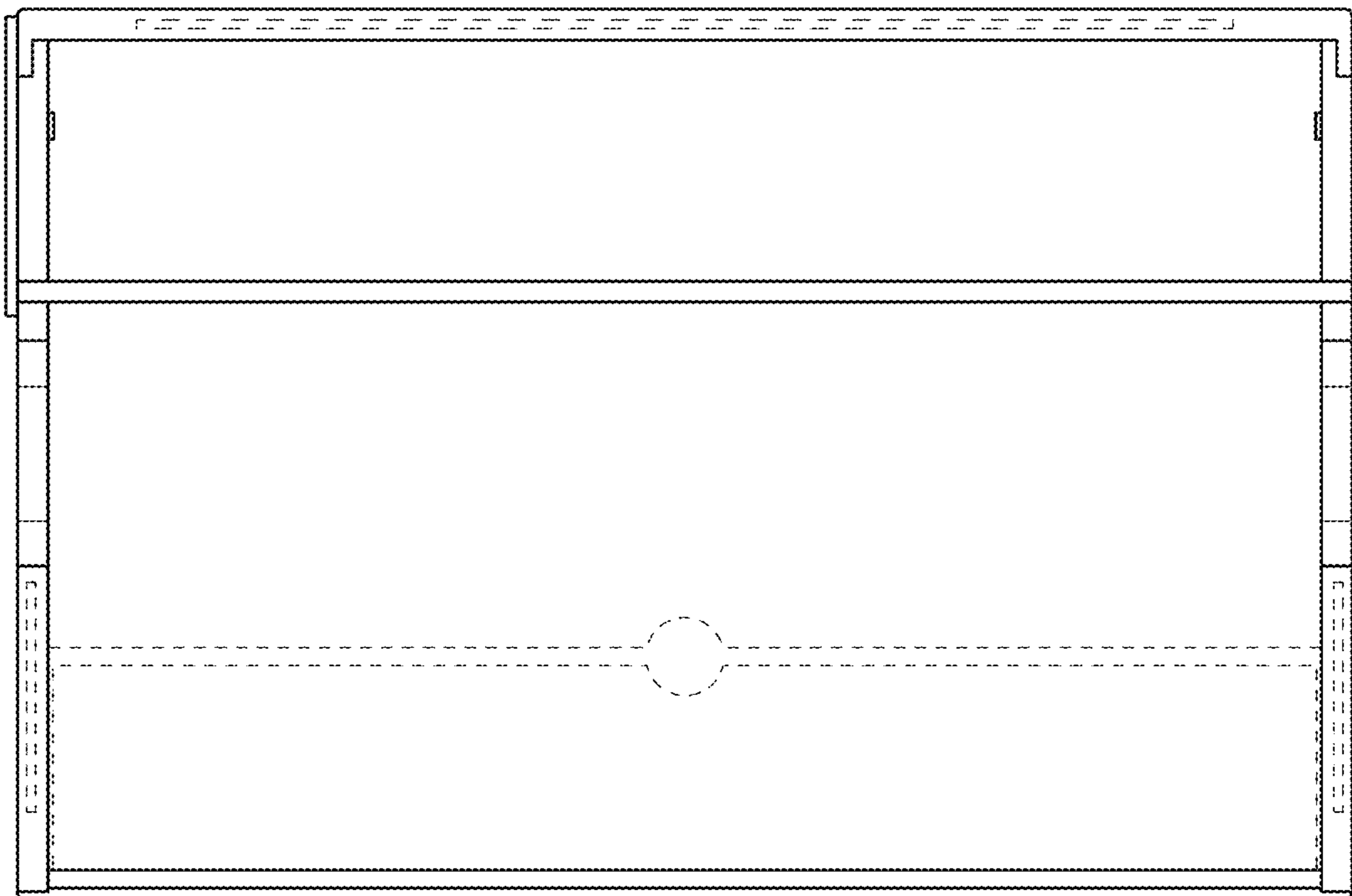


FIG. 3

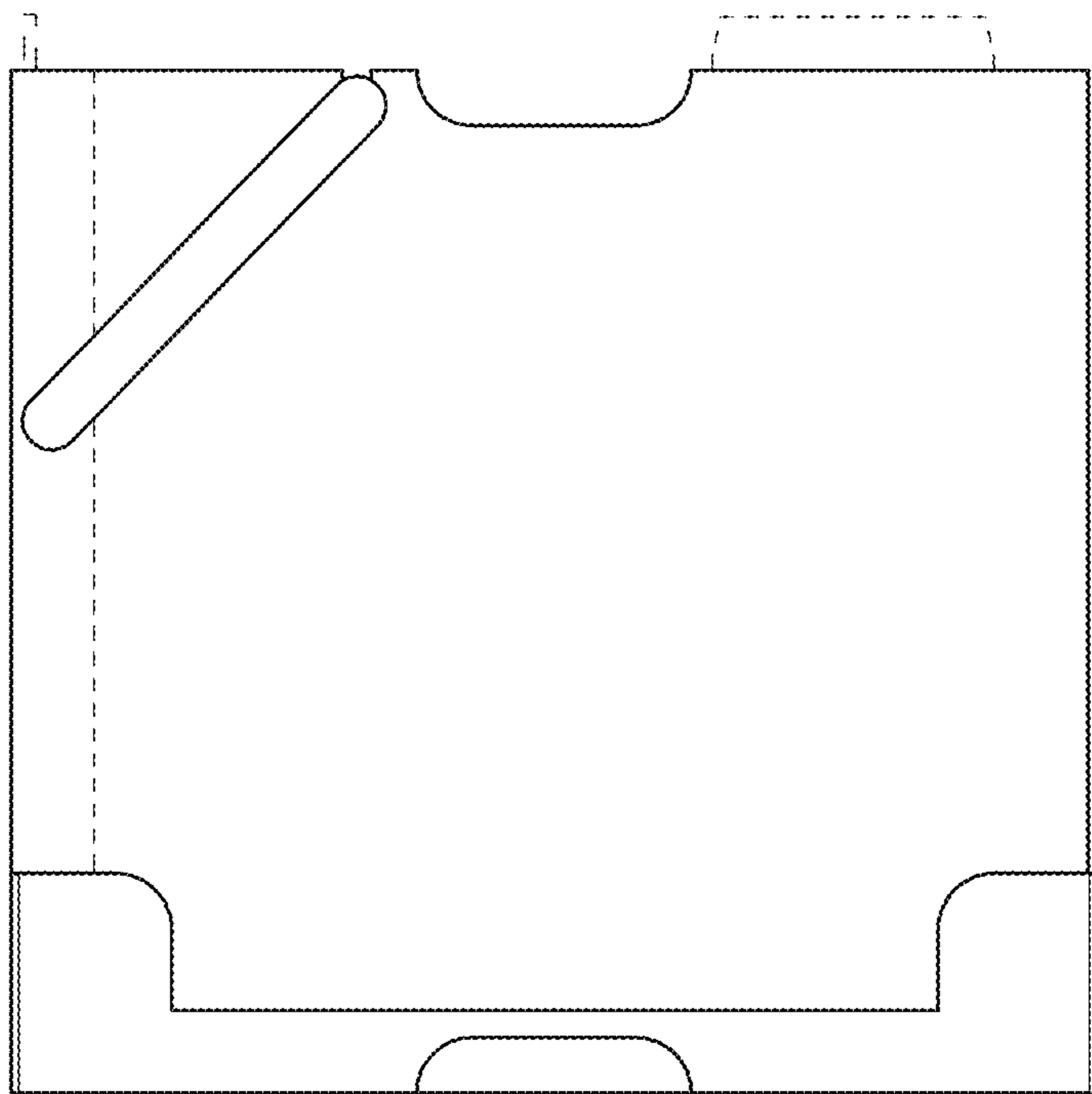


FIG. 4

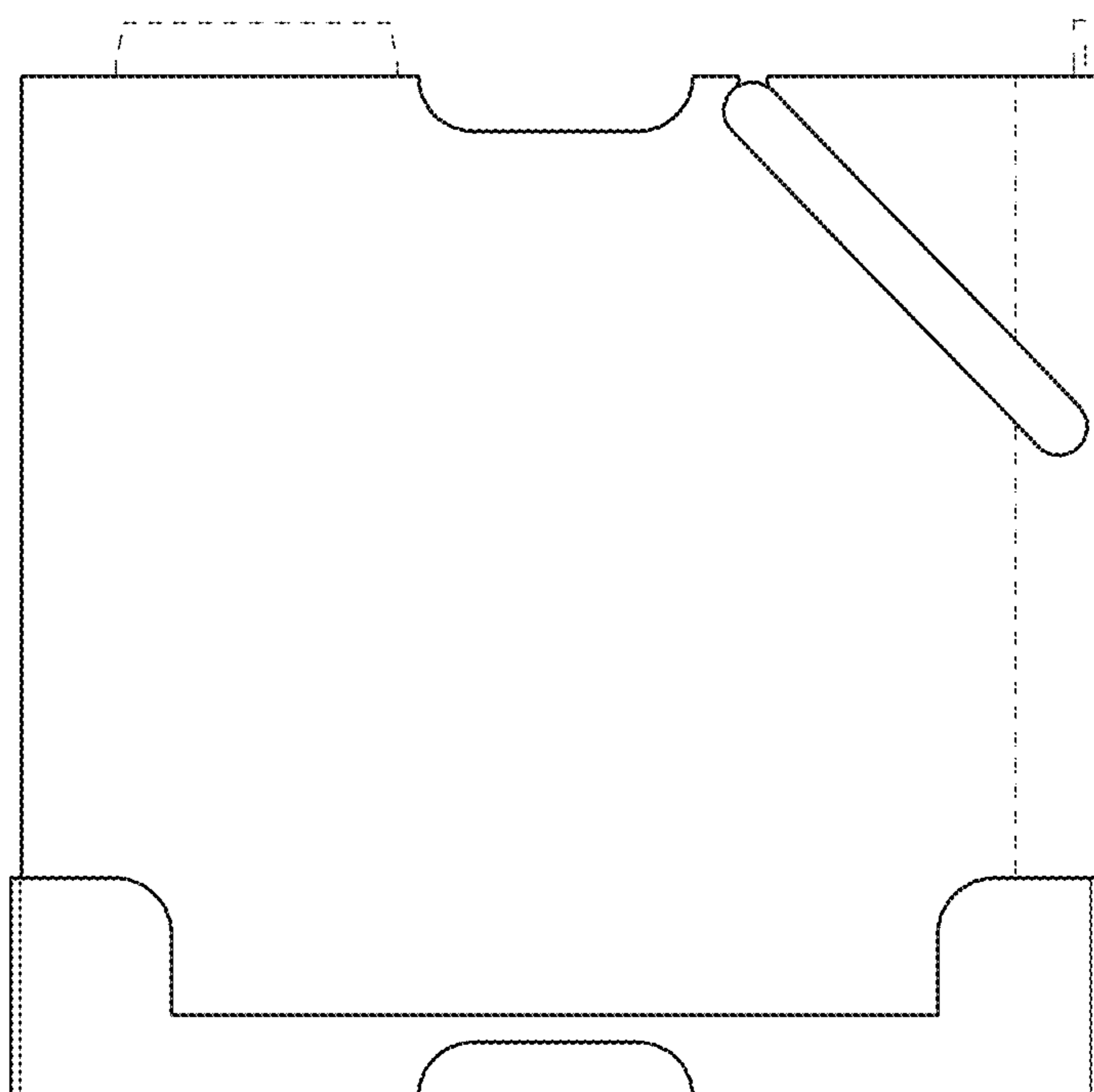


FIG. 5

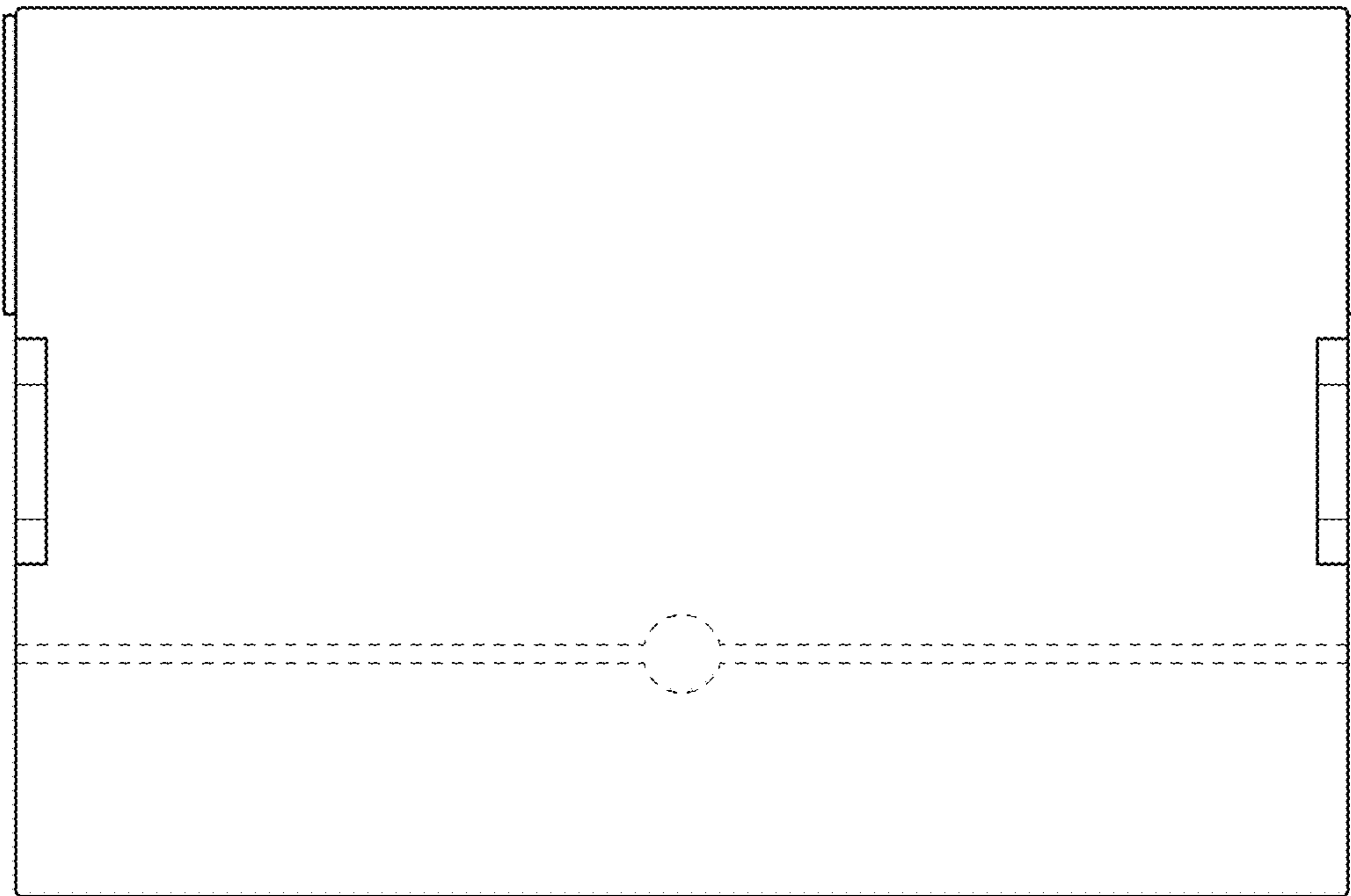


FIG. 6

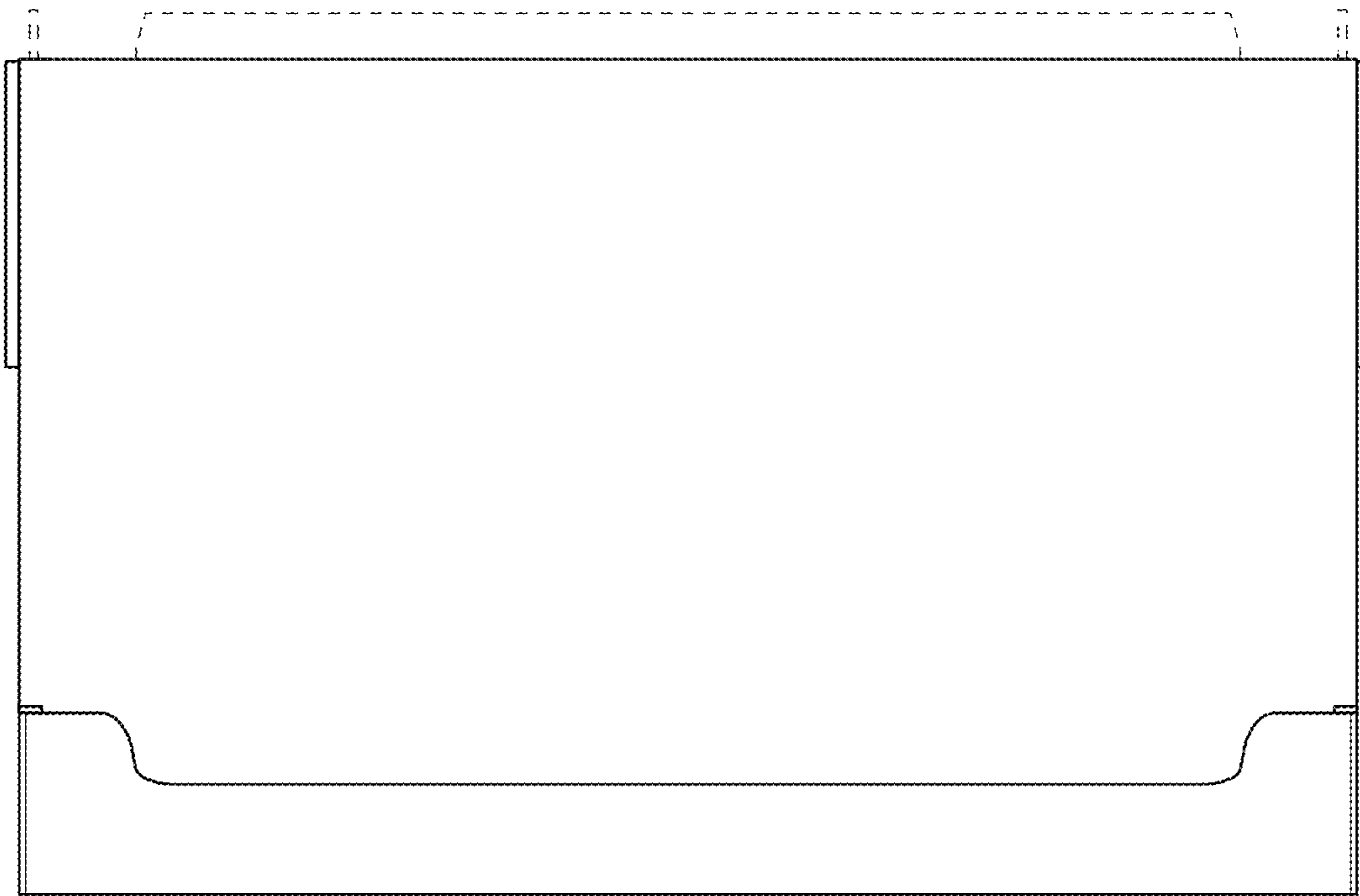


FIG. 7