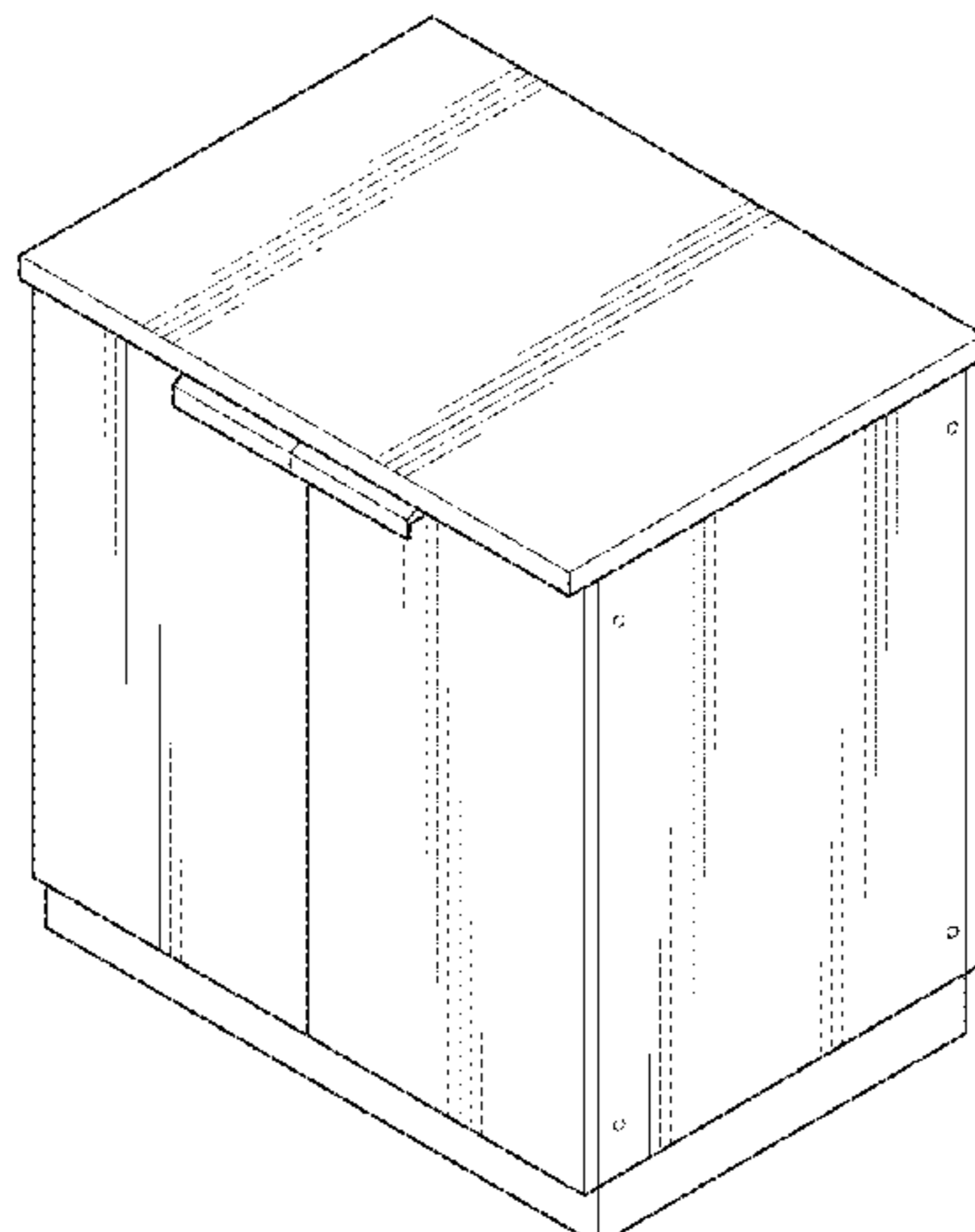




US00D793772S

(12) **United States Design Patent** (10) **Patent No.:** **US D793,772 S**
Nicoll et al. (45) **Date of Patent:** **** Aug. 8, 2017**

- (54) **MODULAR KITCHEN** 3,314,740 A * 4/1967 Lappin A47B 87/00
312/111
- (71) Applicant: **NewAge Products, Inc.**, Vaughan (CA) 3,471,947 A 10/1969 Genser
D223,005 S * 2/1972 Genaro D6/691.4
- (72) Inventors: **David Wesley Nicoll**, Mississauga 3,993,376 A 11/1976 Meldahl
(CA); **Robert Vandenharm**, North York D245,619 S 8/1977 Robinson
(CA); **Parag Shah**, Toronto (CA); 4,054,338 A 10/1977 Martin
Frank Spano, Toronto (CA); **Edward Reyes**, Maple (CA) 4,090,755 A * 5/1978 Johnson A47B 47/02
312/140
4,138,000 A * 2/1979 Hartup A47F 9/04
186/59
- (73) Assignee: **NEWAGE PRODUCTS, INC.**, 4,589,445 A 5/1986 Sanchez Aguilar et al.
Vaughan, Ontario (CA) 4,592,603 A 6/1986 Adams et al.
D301,526 S * 6/1989 Jacobs D6/666
D301,527 S * 6/1989 Jacobs D6/666
- (**) Term: **15 Years** D322,185 S 12/1991 McInnis
D331,334 S 12/1992 Hollington
D378,454 S 3/1997 Miller et al.
D386,917 S 12/1997 Blevio
5,871,029 A 2/1999 Peteri et al.
5,873,643 A 2/1999 Burgess, Jr. et al.
D408,538 S 4/1999 Simpkins et al.
- (21) Appl. No.: **29/551,930** D439,458 S * 3/2001 Melillo D6/561
D439,782 S * 4/2001 Melillo D6/561
D440,427 S 4/2001 Melillo
D440,428 S 4/2001 Melillo
D446,408 S 8/2001 Mathieu et al.
- (22) Filed: **Jan. 19, 2016** 6,273,138 B1 8/2001 Yoney
D496,540 S * 9/2004 Moon D6/671.1
D503,839 S * 4/2005 Schmidt D34/27
- (51) **LOC (10) Cl.** **06-04** 7,021,308 B2 4/2006 Caruso
7,111,852 B2 9/2006 Woods et al.
D542,056 S 5/2007 Puente et al.
D558,483 S 1/2008 Bertch et al.
D562,597 S 2/2008 Weatherly
7,389,796 B2 6/2008 Vilhelmsen
D602,723 S * 10/2009 Daino D6/561
8,070,076 B2 12/2011 Erickson et al.
- (52) **U.S. Cl.** D651,829 S * 1/2012 Ma D6/702
D658,217 S * 4/2012 Wenning D15/127
D660,073 S * 5/2012 Chung D7/334
D661,538 S * 6/2012 Chung D7/334
D665,201 S * 8/2012 Gaska D6/703.3
D667,652 S * 9/2012 Wang D6/663
D673,387 S * 1/2013 Pazhoor D6/686
D679,937 S * 4/2013 Chung D7/334
D684,802 S * 6/2013 Johnson D6/699.2
D687,669 S * 8/2013 Chung D7/334
D697,357 S * 1/2014 Goecke D7/334
8,621,681 B2 1/2014 Macan et al.
D712,191 S * 9/2014 Chung D7/334
D717,097 S * 11/2014 Lin D7/334
D722,810 S * 2/2015 Chung D7/334
- (58) **Field of Classification Search**
USPC **D6/666**
USPC D6/672, 675, 676, 678, 698, 699.2, 702,
D6/705, 703.2, 641, 657, 663, 666, 685,
D6/686, 691; D7/213, 323, 324, 325,
D7/326, 327, 328, 329, 330, 331, 332,
D7/333, 334, 335, 336, 337, 402, 404,
D7/405, 406, 407
CPC A47J 33/00; A47J 37/04; A47J 37/041;
A47J 37/07-37/0713; A47J
37/0718-37/0727; A47J 37/0731-37/074;
A47J 37/0745-37/0772; A47J 2037/0777;
A47J 37/0781; A47J 17/04; A47J 47/02;
A47J 47/03; A47J 87/00; A47F 3/06;
A47F 3/043; A47F 3/0434
See application file for complete search history.
- (56) **References Cited**
U.S. PATENT DOCUMENTS
1,527,531 A 2/1925 Topazzi
2,449,433 A 9/1948 Wheelock
2,725,274 A 11/1955 Stivale
D198,887 S * 8/1964 Grande D6/675



D723,321	S *	3/2015	Chung	D7/334
D723,860	S *	3/2015	Chung	D7/334
D726,491	S *	4/2015	Witzel	D7/334
D731,843	S *	6/2015	Chung	D7/334
D732,874	S *	6/2015	Chung	D7/334
D736,026	S *	8/2015	Kam	D7/334
D737,092	S *	8/2015	Lin	D7/334
D744,775	S *	12/2015	Yang	D7/334
D747,909	S *	1/2016	Simms, II	D7/332
D748,423	S *	2/2016	Chiang	D7/334
D753,430	S *	4/2016	Wagner	D7/334
D769,667	S *	10/2016	Ting	D7/332
D773,214	S *	12/2016	Ben Avi	D6/657
D773,229	S *	12/2016	Jaggard	D7/334
D775,866	S *	1/2017	Ben Avi	D6/657
D776,476	S *	1/2017	Euwer	D7/334
D784,557	S *	4/2017	Thuma	D25/33
2002/0078865	A1	6/2002	Kuvshinikov		
2004/0169155	A1	9/2004	Chen et al.		
2005/0035697	A1*	2/2005	Chen	A47B 47/02 312/257.1
2005/0241701	A1	11/2005	Bender		
2006/0196563	A1	9/2006	Liles et al.		
2007/0251590	A1	11/2007	Weinstein		
2008/0121118	A1*	5/2008	Sikes	A47J 37/07 99/447
2008/0229937	A1*	9/2008	Stephen	A47J 37/07 99/421 R
2010/0132689	A1*	6/2010	Contarino, Jr.	A47J 37/067 126/25 B
2013/0112088	A1*	5/2013	May	A47J 37/07 99/421 H
2014/0060394	A1	3/2014	Yaman et al.		
2014/0132129	A1	5/2014	Deneweth et al.		
2014/0318524	A1*	10/2014	Measom	A47J 37/0704 126/25 R
2015/0218864	A1*	8/2015	Simon	E05F 1/1215 16/321
2016/0208837	A1*	7/2016	Chang	F16B 5/02

FOREIGN PATENT DOCUMENTS

CN	203096835	U	7/2013
GB	2 397 519	B	11/2005
WO	WO 87/06861	A1	11/1987

OTHER PUBLICATIONS

“Stainless Steel Classic 5-Piece 160 × 36 × 24” in. Outdoor Kitchen Cabinet Set with Covers.” The Home Depot. <http://www.homedepot.com/p/NewAge-Products-Stainless-Steel-Classic-5-Piece-160x36x24-in-Outdoor-Kitchen-Cabinet-Set-with-Covers-65072/207163552>.*

English language abstract for CN 203096835 extracted from espacenet.com database on Jun. 15, 2016, 1 page.

“Sliding Kitchen Countertop”, downloaded from <http://thedecoratingdiva.com/milan-design-week-10-kitchen-bath-trends/> on Sep. 24, 2014, 1 page.

“Sliding Kitchen Countertop”, downloaded from http://www.contemporist.com/2011/06/07/the-sliding-top-by-minimal/sliding_top_0706_11_02/ on Sep. 25, 2014, 1 page.

“Outdoor Kitchen Cabinet”, downloaded from http://sell_lulusoso.com/upload/20120305/Stainless_steel_outdoor_kitchen_cabinet.jpg on Oct. 17, 2014, 1 page.

“Outdoor Kitchen Cabinet”, downloaded from <http://bestoutdoorcabinets.com/outstanding-viking-stainless-steel-outdoor-cabinets-also-chrome-faucet-with-brushed-nickel-hardware-and-white-plastic-cutting-board-on-small-porcelain-tile-countertops-with-mosaic-tile-edge-trim/> on Oct. 17, 2014, 2 pages.

“Portable Outdoor Kitchen Island”, downloaded from http://www.outdoordesignstudio.com/soldura_outdoor_furniture_and_storage.html#portable_kitchen_islands on Oct. 29, 2014, 1 page.

“Outdoor Kitchen Sink Module”, downloaded from <http://www.rbrooksandson.com/grills/grill-accessories> on Oct. 29, 2014, 1 page.

“Outdoor Kitchen Island”, downloaded from <http://cacakitchen.blogspot.com/2013/08/grillsislandskitchenstraight-outdoor.html> on Oct. 29, 2014, 1 page.

“Fuego Modular Series FM20MOD”, downloaded from www.ajmadison.com/cgi-bin/ajmadison/FM20MOD.html on Oct. 29, 2014, 1 page.

“Geneva Cabinet”, downloaded from <http://www.genevacabinet.com> on Oct. 29, 2014, 1 page.

“Ozark River Portable Sinks 26"×18" Nature Premier Single Bowl Outdoor Portable Sink with Storage Cabinet-Finish: Power Coated Stainless Steel”, downloaded from <http://www.sears.com/ozark-river-portable-sinks-26inch-x-18inch-nature/p-SPM10940678315?prdNo+11&blockNo+11&blockType+G11> on Oct. 29, 2014, 1 page.

“Outdoor Patio Storage Cabinet”, downloaded from <http://bestoutdoorcabinets.com/sensational-outdoor-patio-storage-cabinet-from-cedar-wood-planks-with-galvanized-steel-countertop-and-rubber-locking-casters/> on Oct. 29, 2014, 1 page.

“Outdoor Wicker Storage Cabinet”, downloaded from <http://goldeneagleoutdooren.made-in-china.com/productimage/nSjEavLCJfkr-2f1j00mZftQbJahhqv/China-New-Outdoor-Wicker-Storage-Cabinet-B0014.html> on Oct. 29, 2014, 1 page.

“30 Inch Storage Cabinet-2 Doors”, downloaded from <http://kalamazoogourmet.com/products/30-storage-cabinet-2-doors> on Oct. 29, 2014, 1 page.

“Horizontal Outdoor Storage Shed”, downloaded from <http://cabinets.apluswhs.com/outdoor-storage-cabinets/horizontal-outdoor-storage-shed/> on Oct. 29, 2014, 1 page.

“Purchasing Outdoor Kitchen Cabinets”, downloaded from <http://dhcabinetry.com/purchasing-outdoor-kitchen-cabinets/> on Oct. 17, 2014, 3 pages.

“Kalamazoo Outdoor Gourmet Products”, downloaded from <http://www.archiexpo.com/prod/kalamazoo-outdoor-gourmet/garden-stainless-steel-sink-cabinets-57824-899620.html> on Oct. 17, 2014, 1 page.

“Outdoor Storage Cabinet Entrancing Plastic Outdoor Cabinet Storage”, downloaded from <http://www.homedecor.pics/outdoor-kitchen-cabinets-plastic/26/outdoor-storage-cabinet-entrancing-plastic-outdoor-cabinet-storage/> on Oct. 17, 2014, 1 page.

“Challenger Outdoor Kitchen”, downloaded from <http://www.firesideoutdoorkitchens.com/wp-content/uploads/2013/07/challenger-outdoor-kitchen-featured.jpg> on Oct. 17, 2014, 1 page.

* cited by examiner

Primary Examiner — Manpreet Matharu
 Assistant Examiner — Suzanne Tisdell
 (74) Attorney, Agent, or Firm — Howard & Howard Attorneys PLLC

(57) CLAIM

An ornamental design for a modular kitchen, as shown and described.

DESCRIPTION

FIG. 1 is a perspective view of an embodiment of a modular kitchen;
 FIG. 2 is a perspective view of a two-door cabinet of the modular kitchen of FIG. 1;
 FIG. 3 is a front elevational view of the two-door cabinet of FIG. 2;
 FIG. 4 is a rear elevational view of the two-door cabinet of FIG. 2;
 FIG. 5 is a left side elevational view of the two-door cabinet of FIG. 2;
 FIG. 6 is a right side elevational view of the two-door cabinet of FIG. 2;
 FIG. 7 is a top plan view of the two-door cabinet of FIG. 2;

FIG. 8 is a bottom plan view of the two-door cabinet of FIG. 2;

FIG. 9 is a perspective view of another embodiment of a modular kitchen;

FIG. 10 is a perspective view of a two-door cabinet of the modular kitchen of FIG. 9;

FIG. 11 is a front elevational view of the two-door cabinet of FIG. 10;

FIG. 12 is a rear elevational view of the two-door cabinet of FIG. 10;

FIG. 13 is a left side elevational view of the two-door cabinet of FIG. 10;

FIG. 14 is a right side elevational view of the two-door cabinet of FIG. 10;

FIG. 15 is a top plan view of the two-door cabinet of FIG. 10; and,

FIG. 16 is a bottom plan view of the two-door cabinet of FIG. 10.

The broken lines, depicted as dot-dot-dot lines, set forth in the drawings depict features of the modular kitchen that form no part of the claimed design.

1 Claim, 10 Drawing Sheets

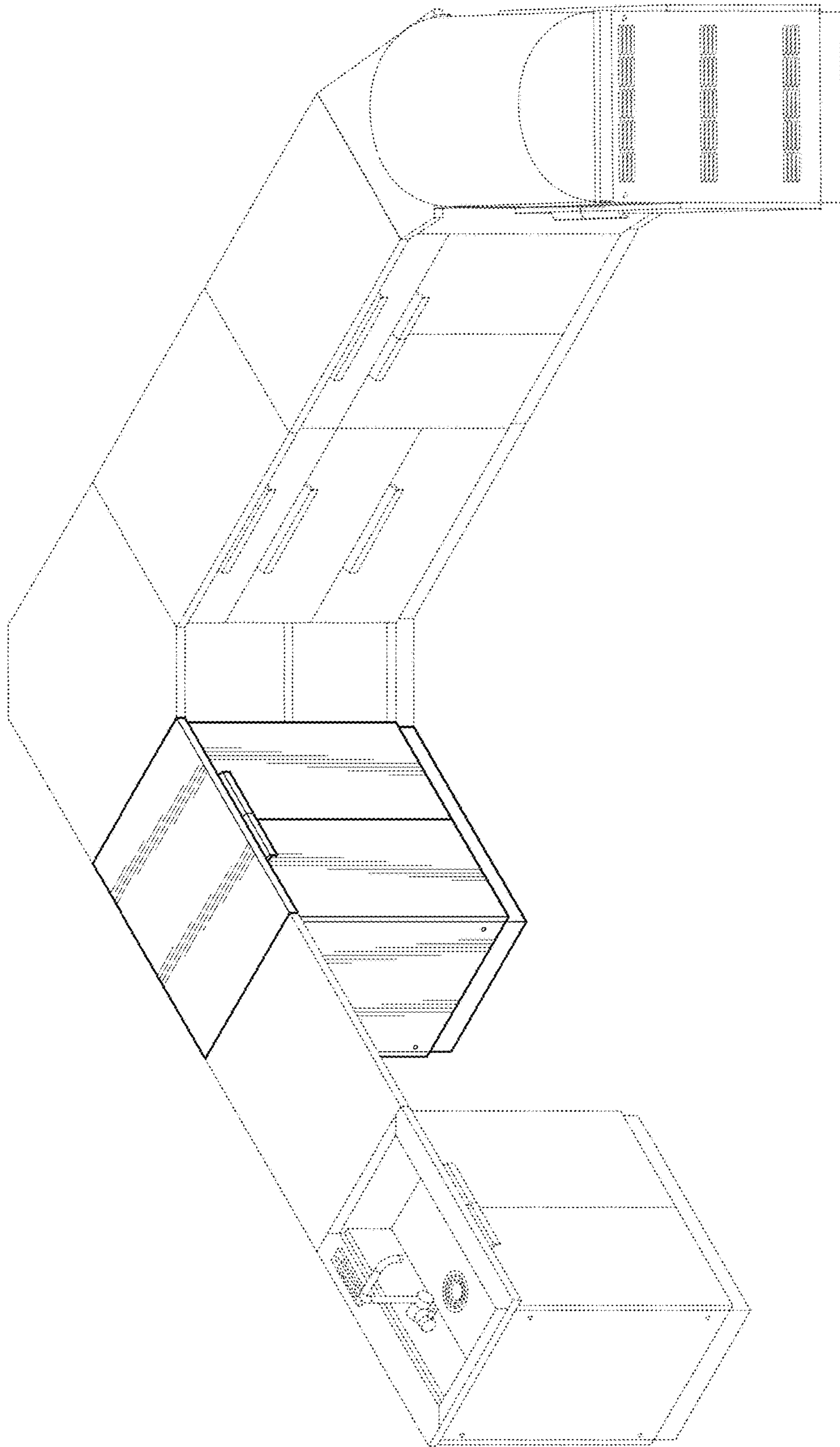


FIG. 1

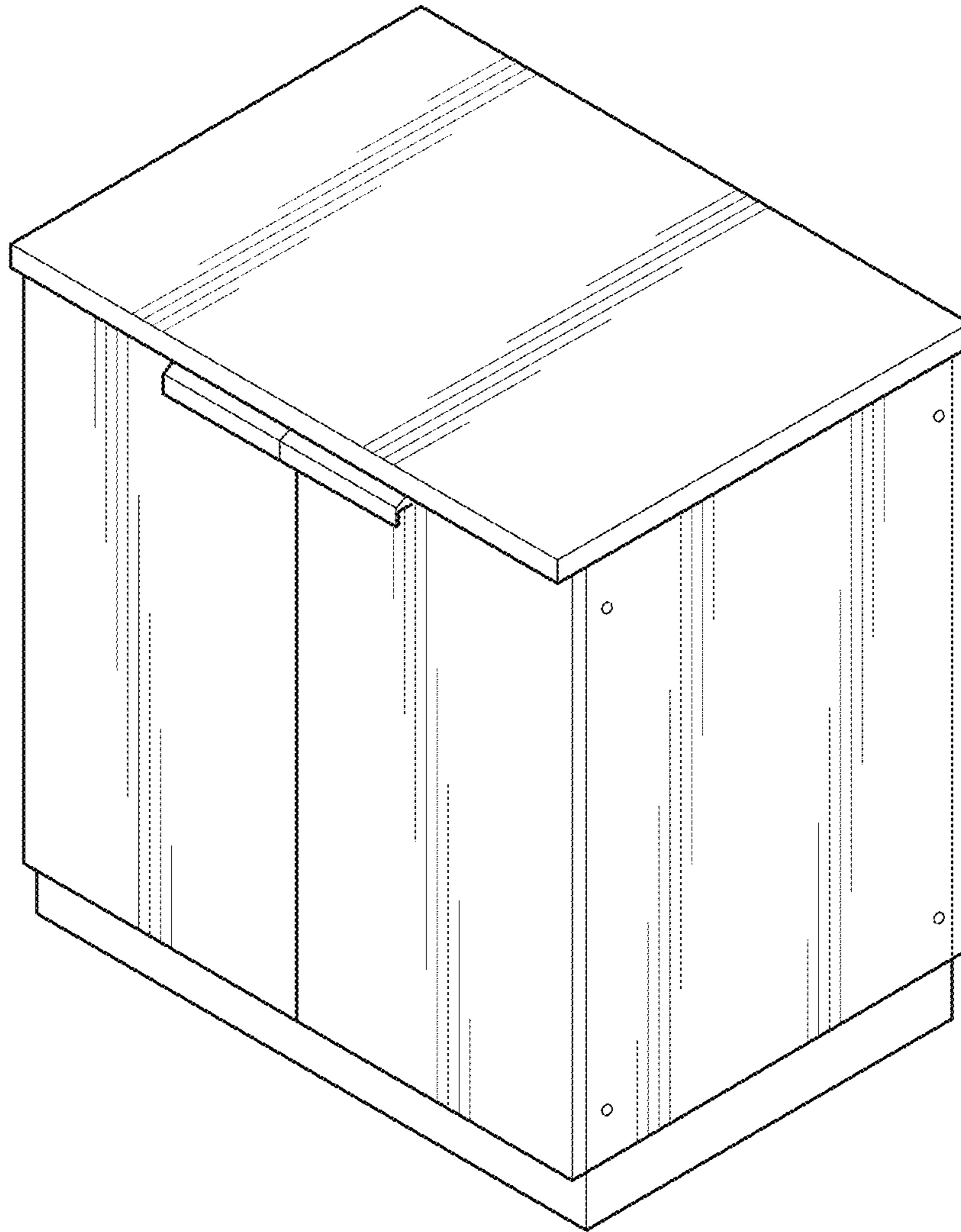


FIG. 2

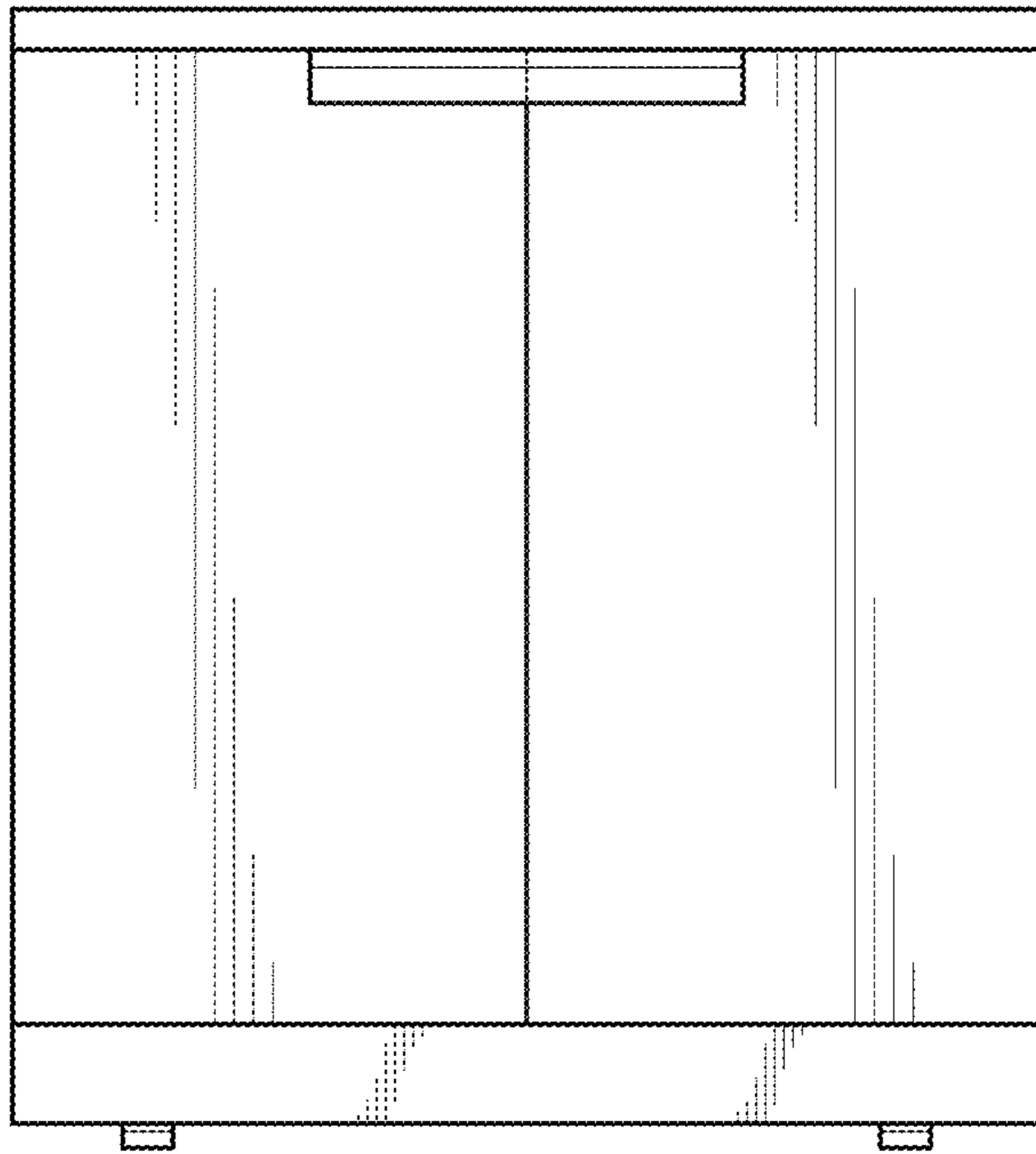


FIG. 3

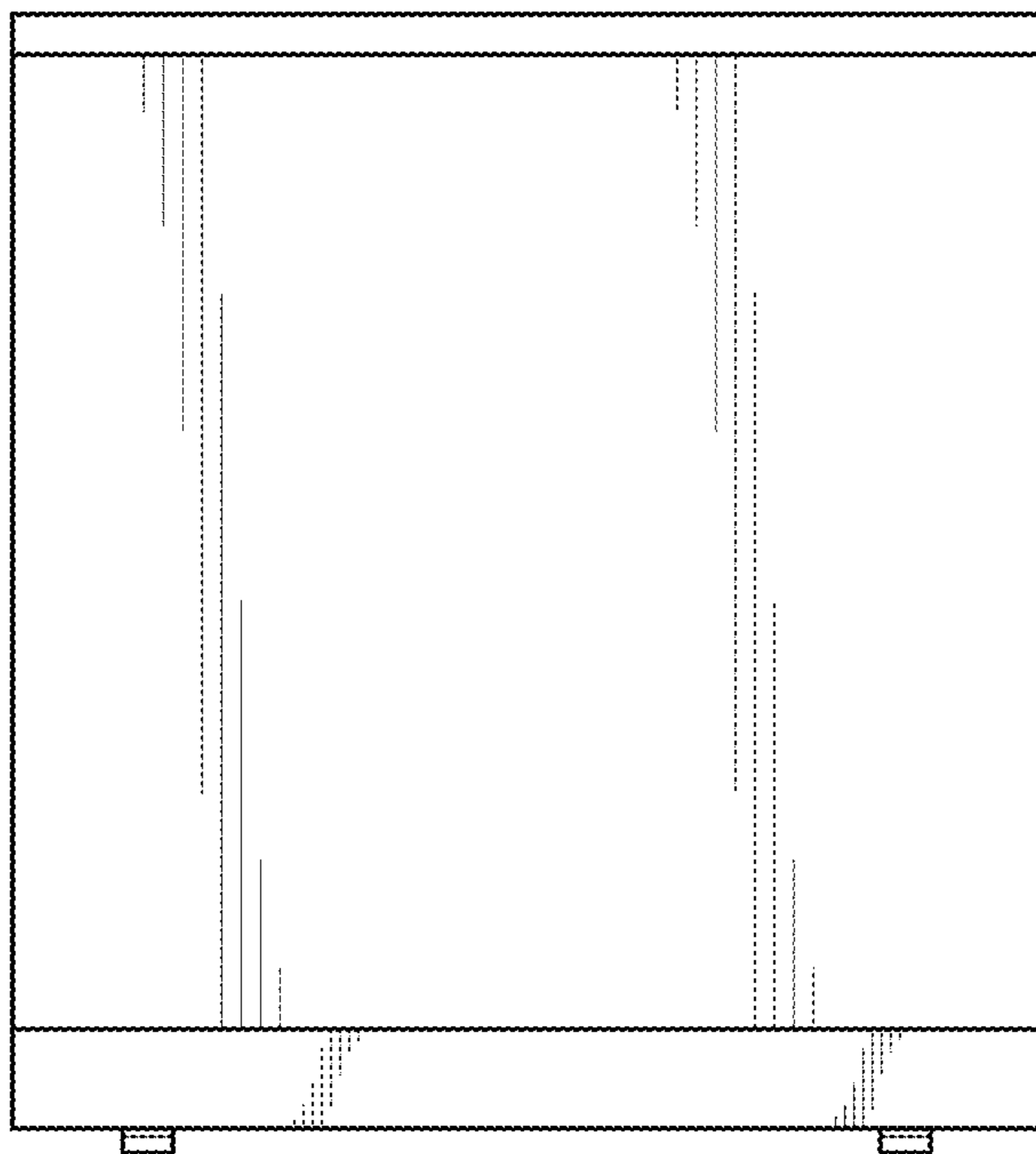


FIG. 4

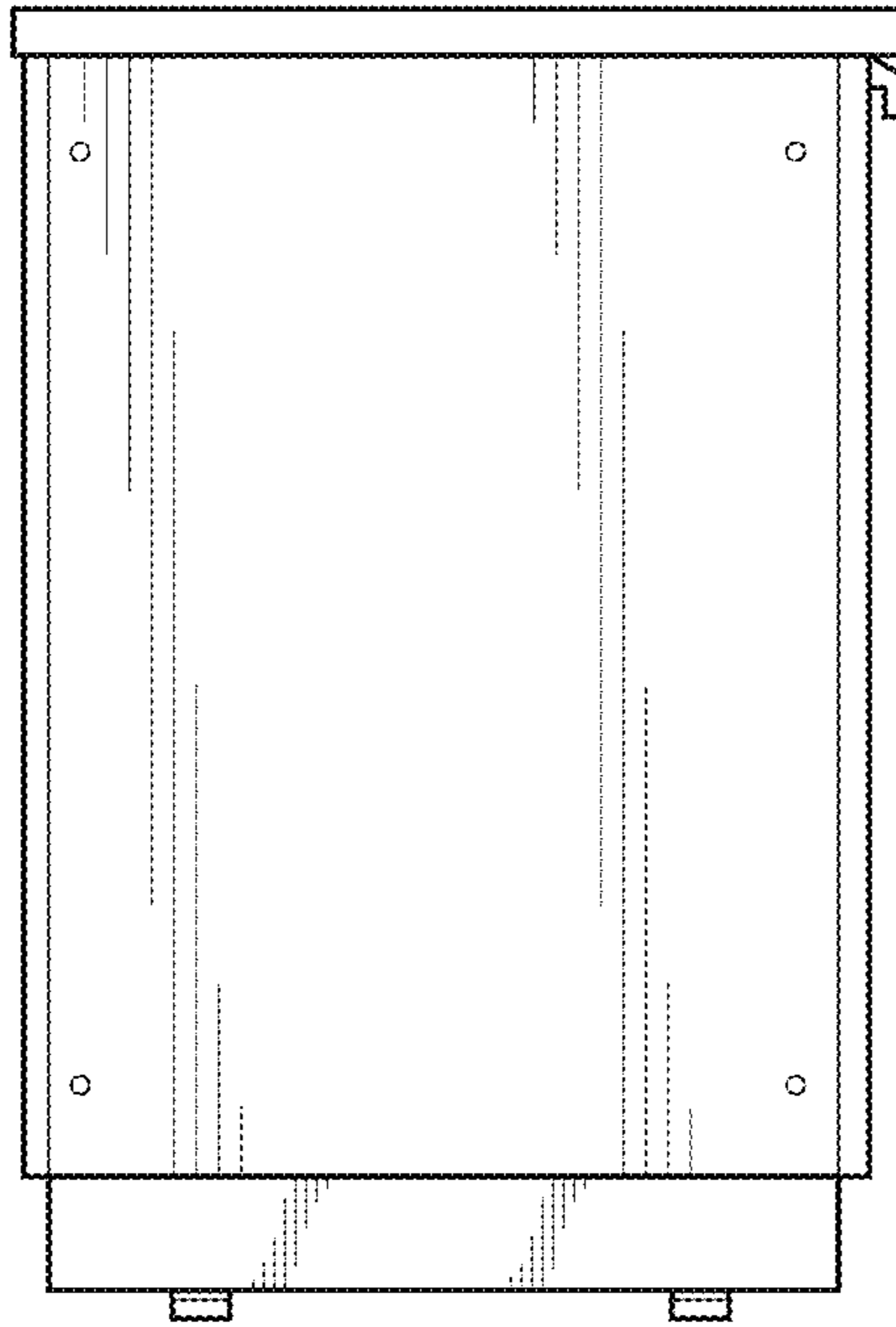


FIG. 5

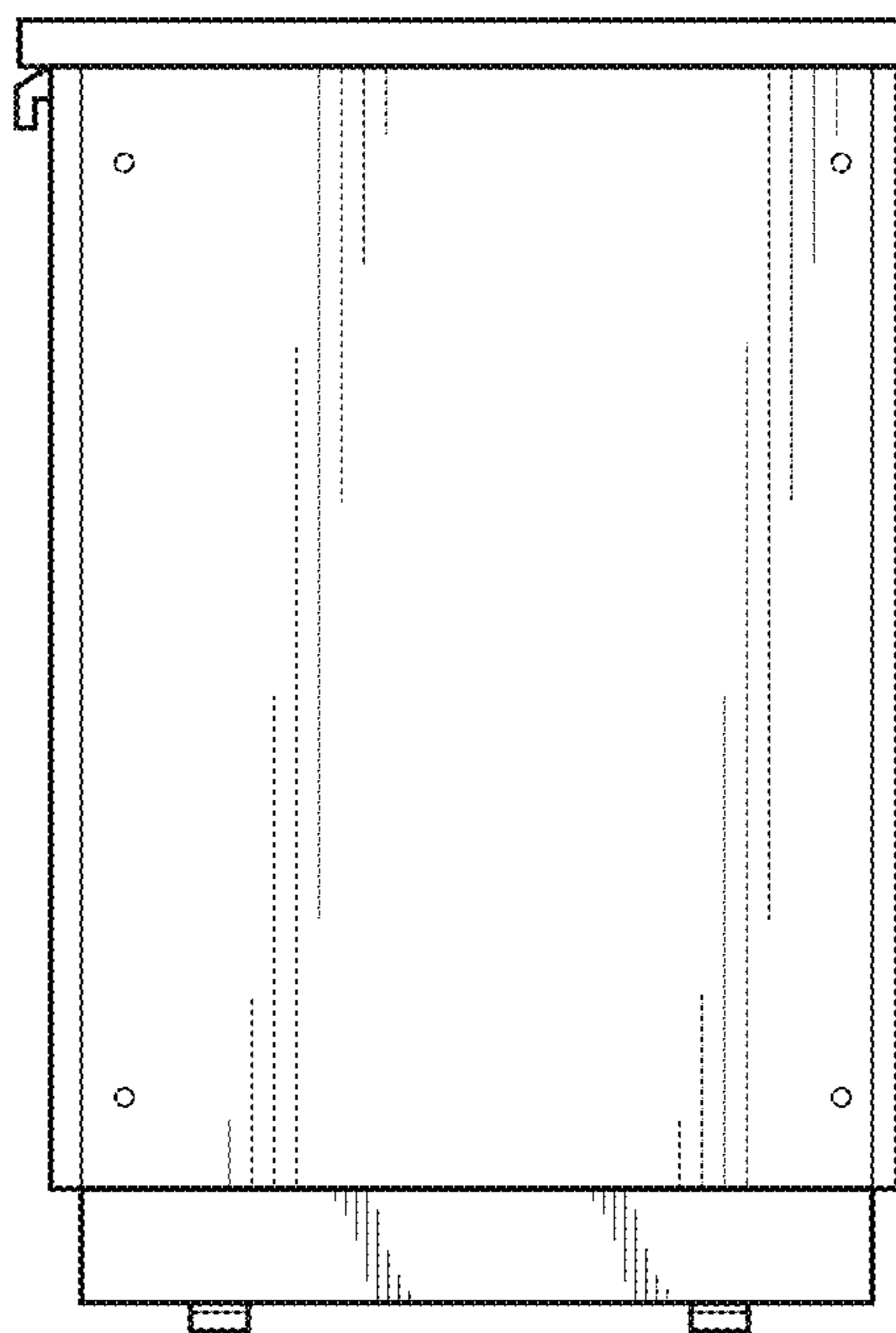


FIG. 6

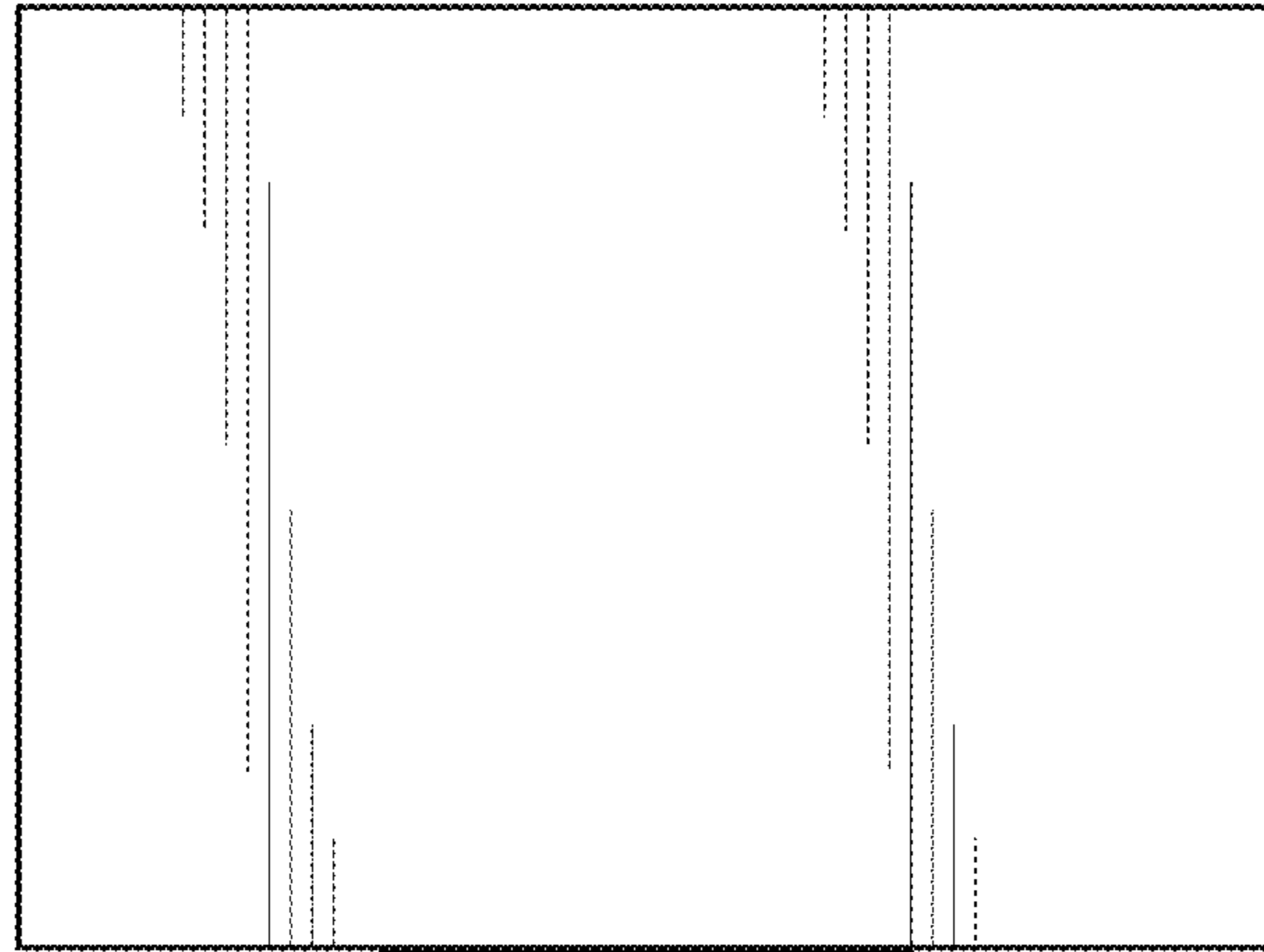


FIG. 7

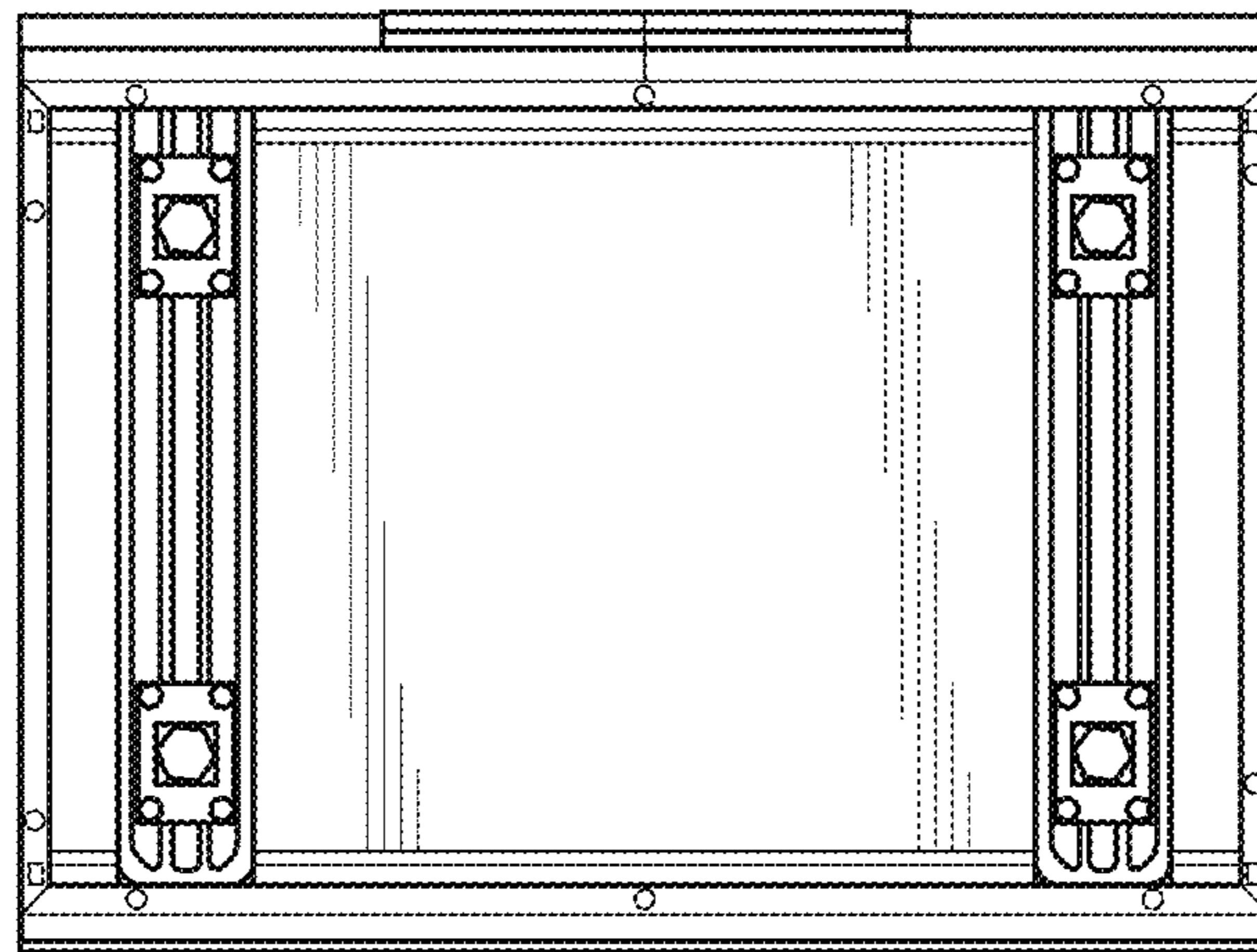


FIG. 8

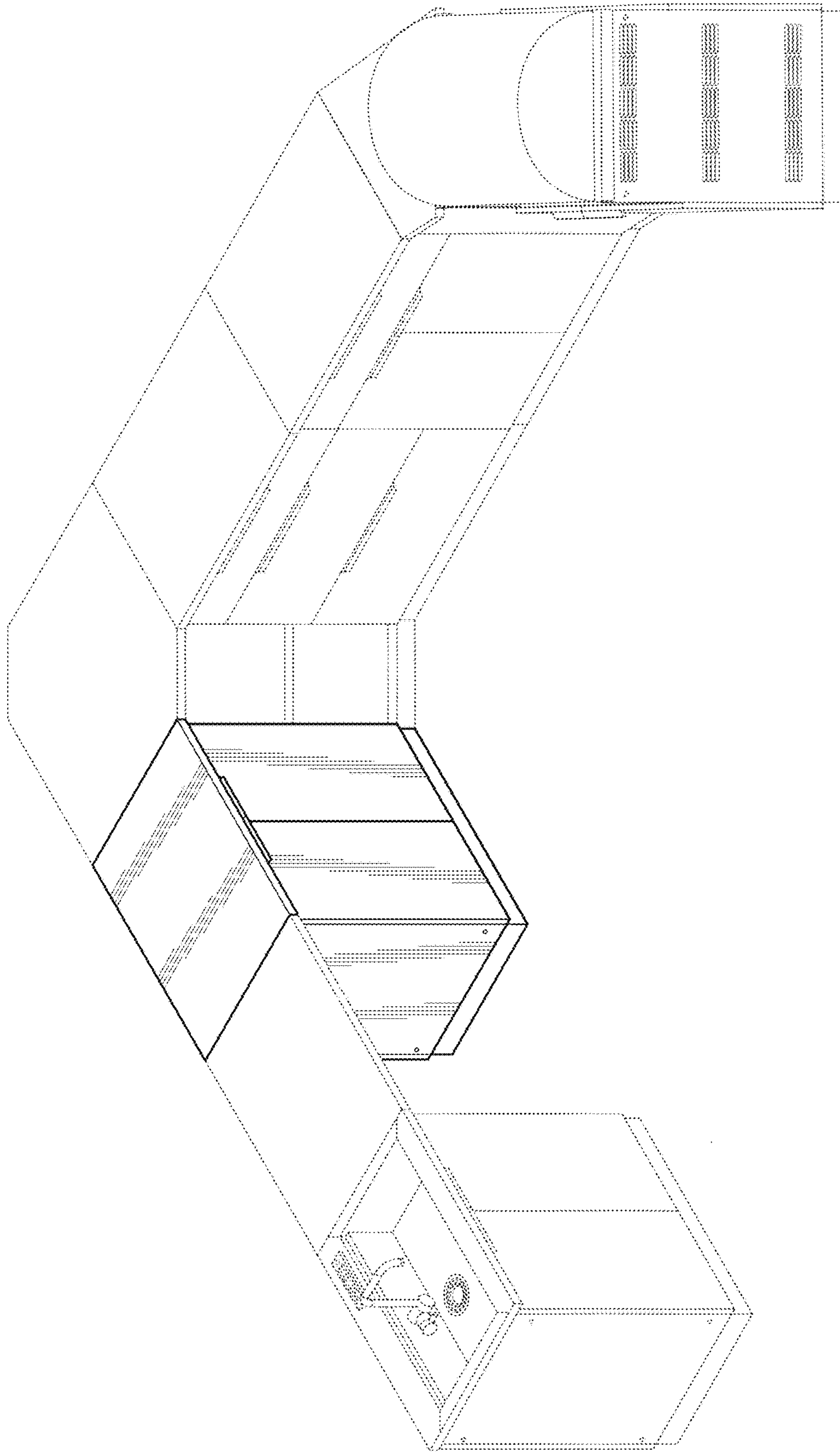


FIG. 9

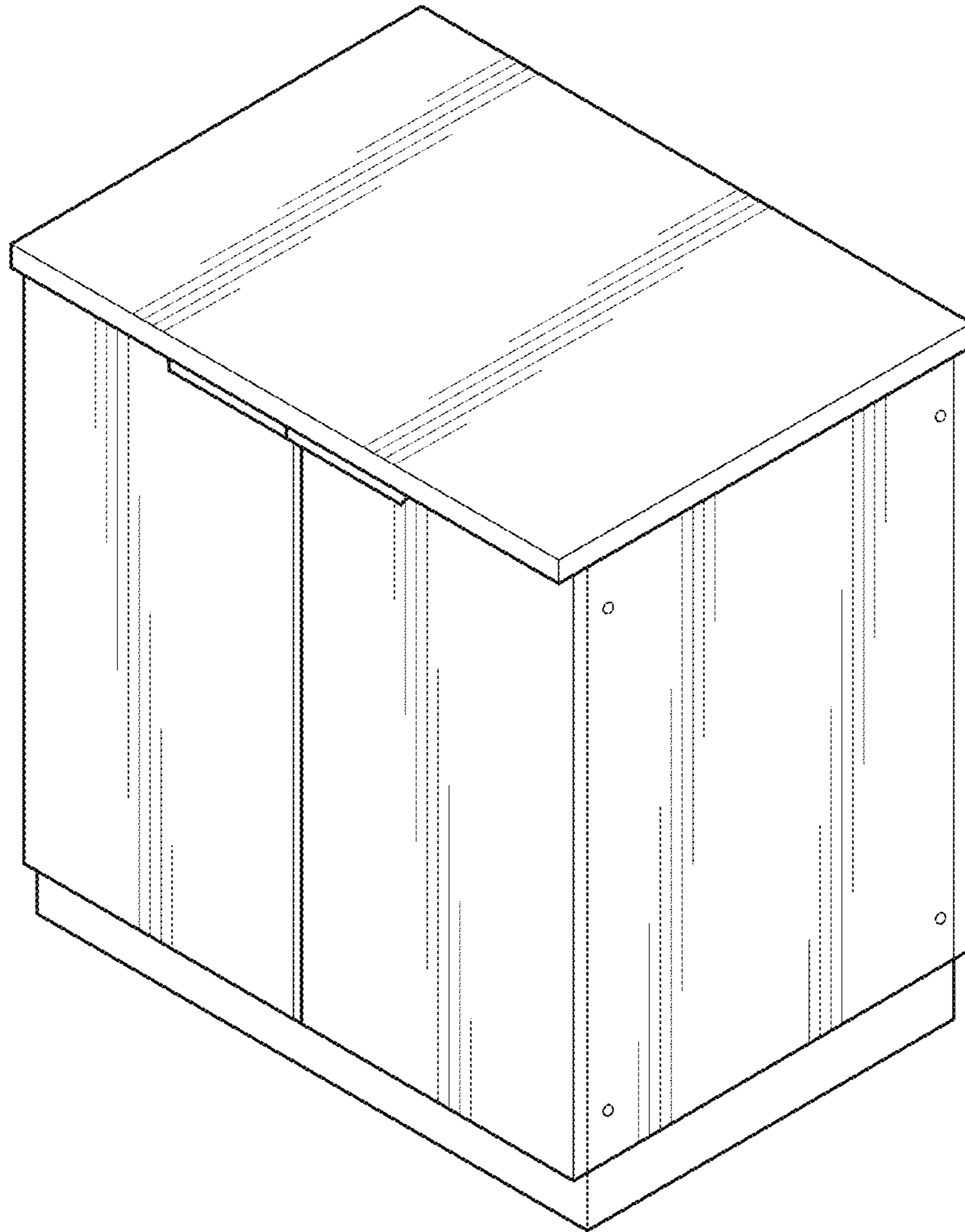


FIG. 10

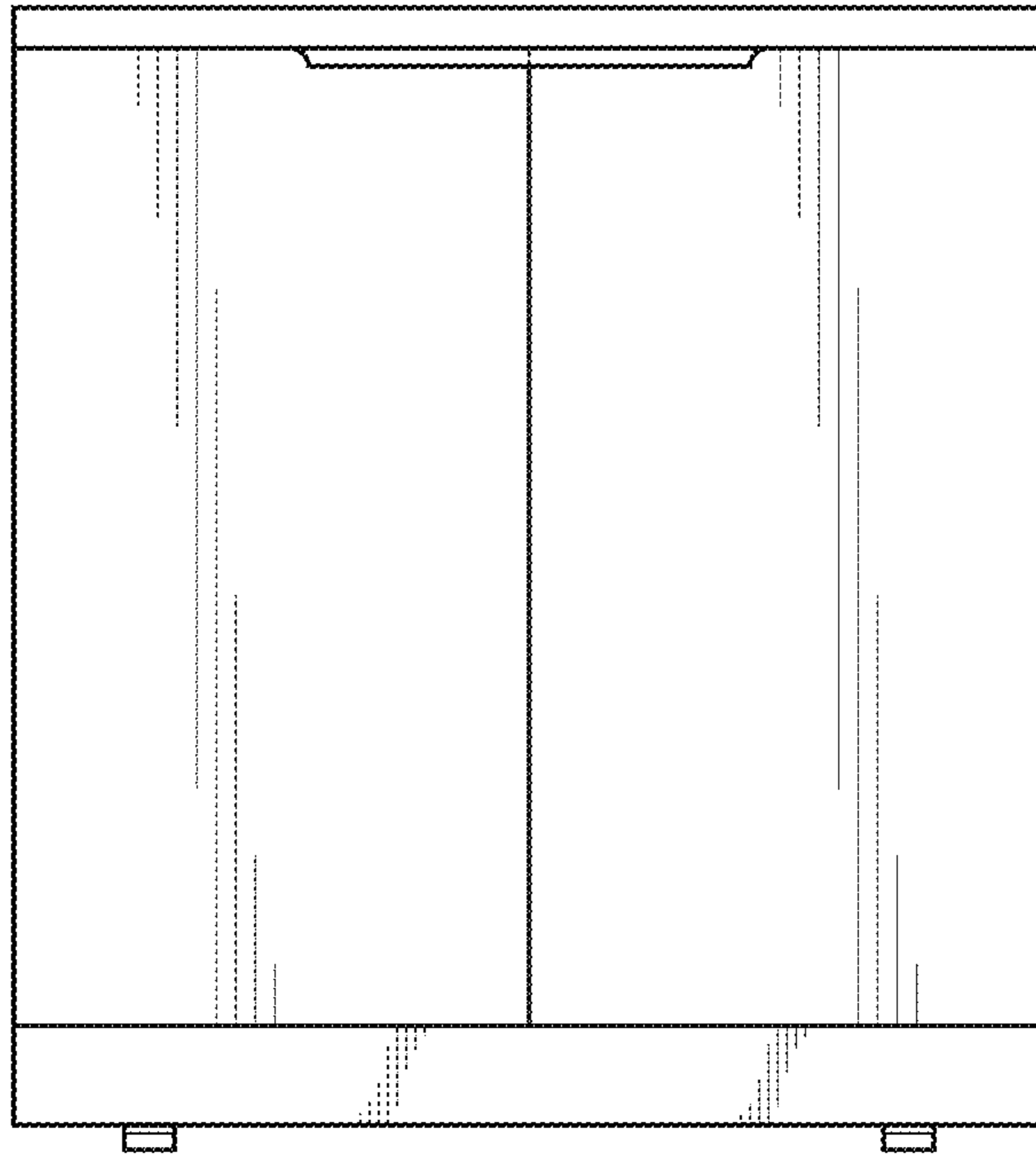


FIG. 11

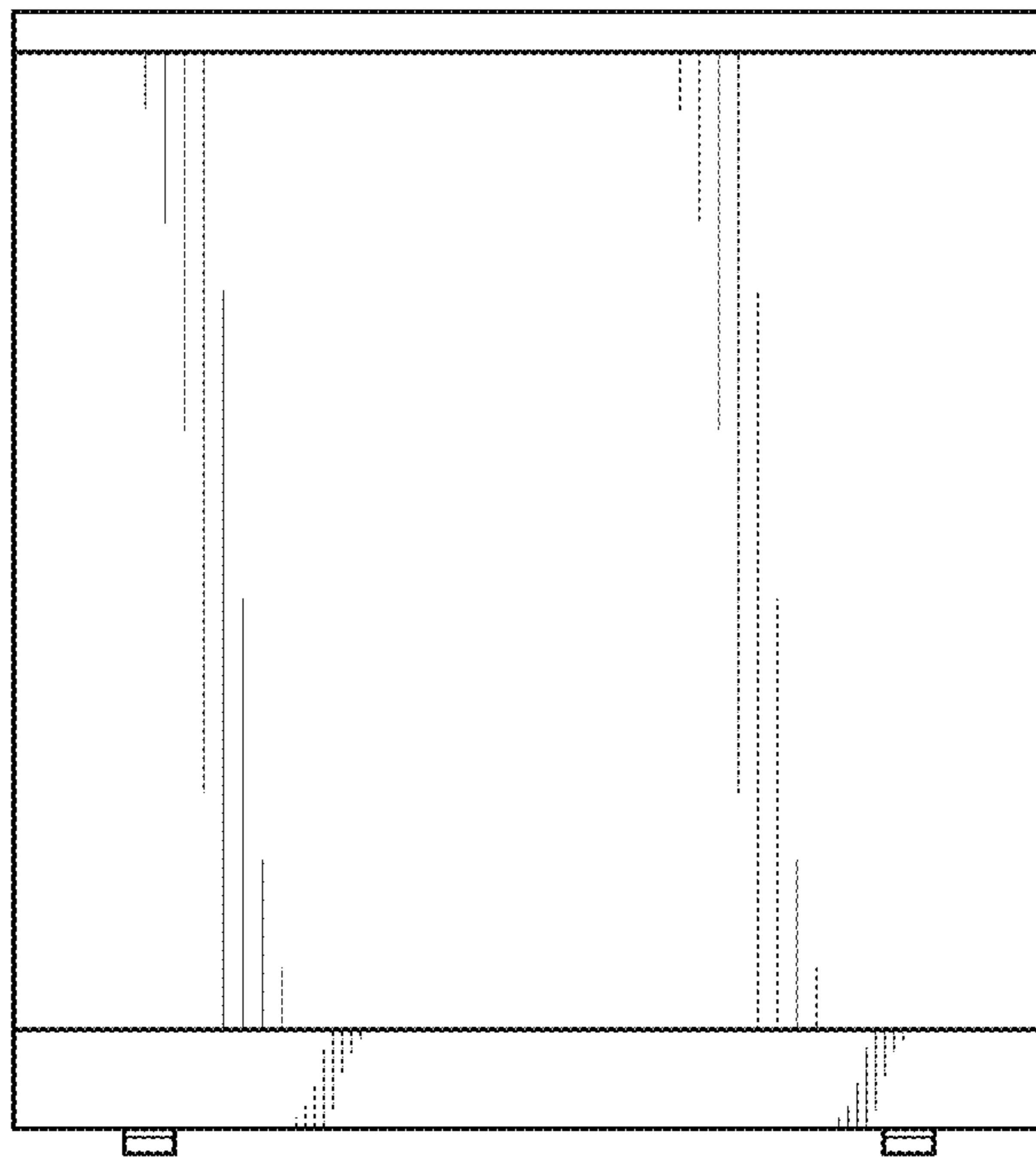


FIG. 12

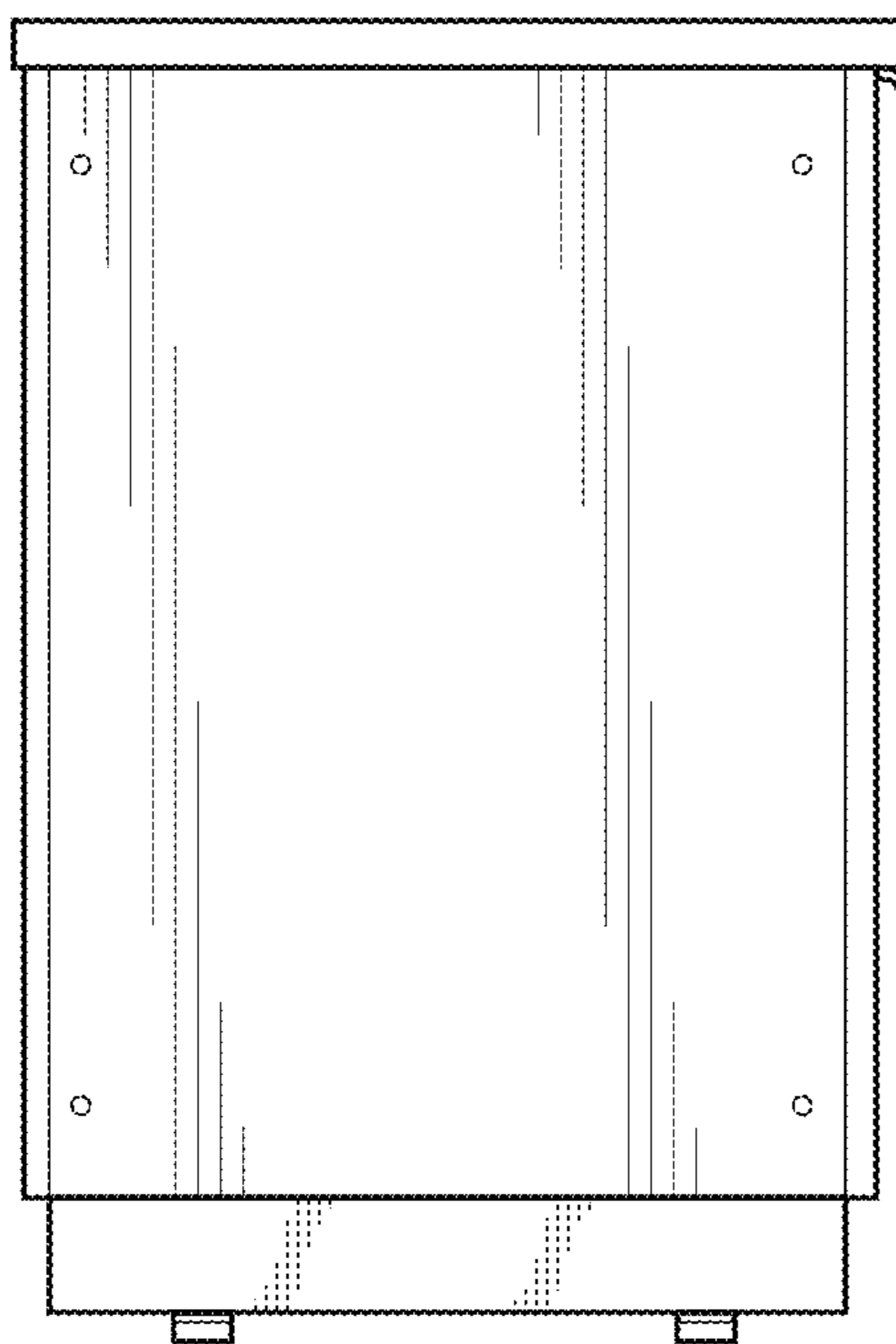


FIG. 13

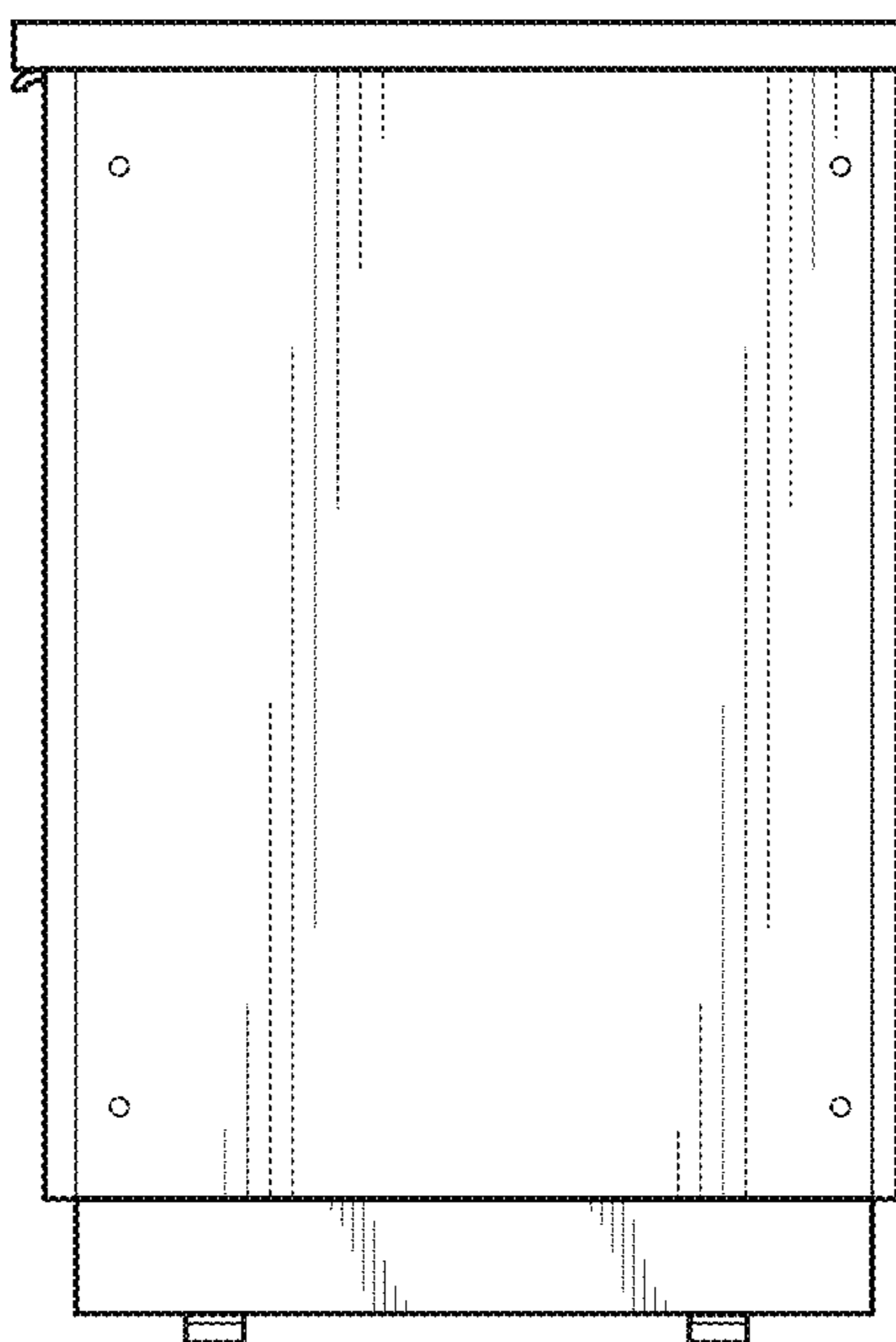


FIG. 14

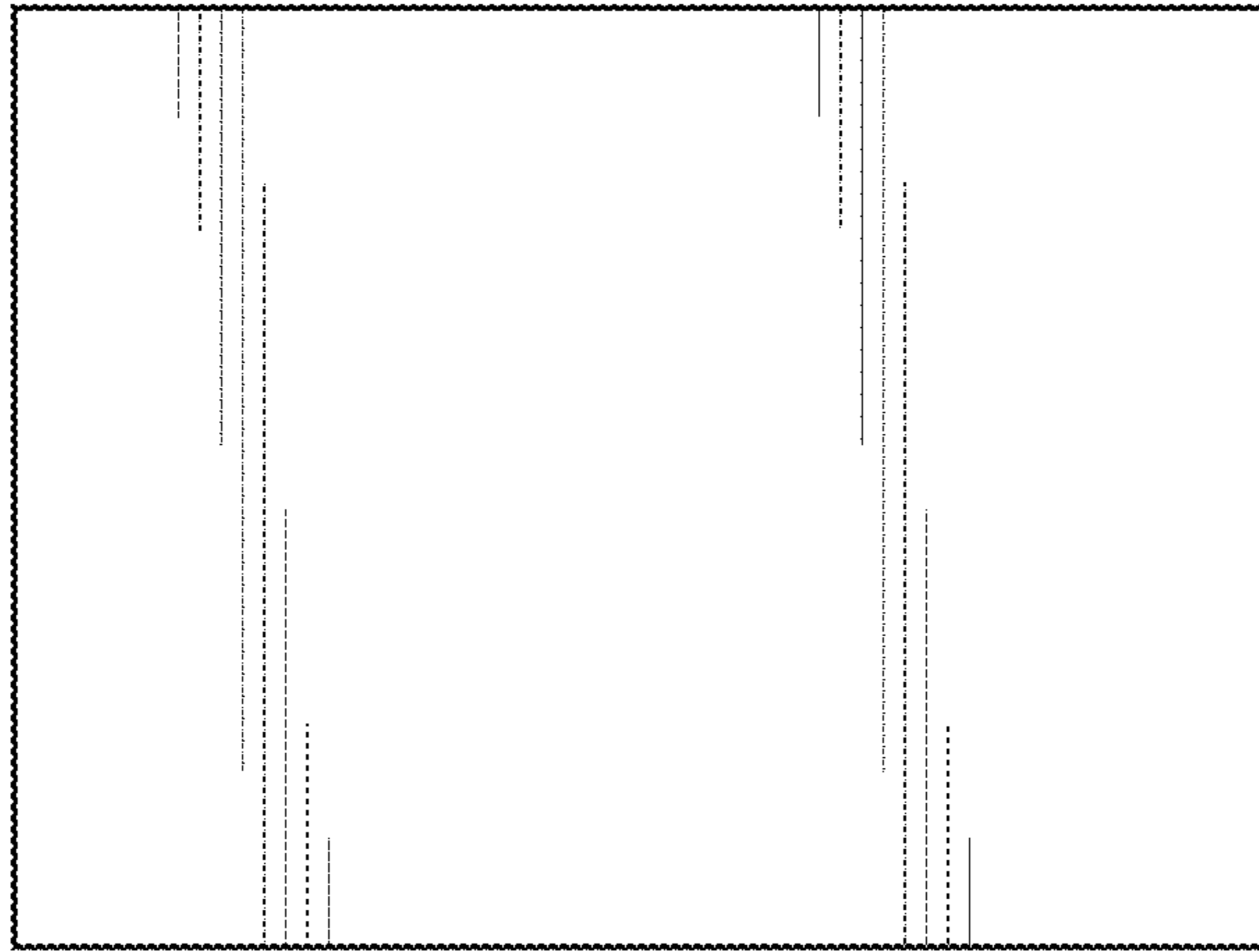


FIG. 15

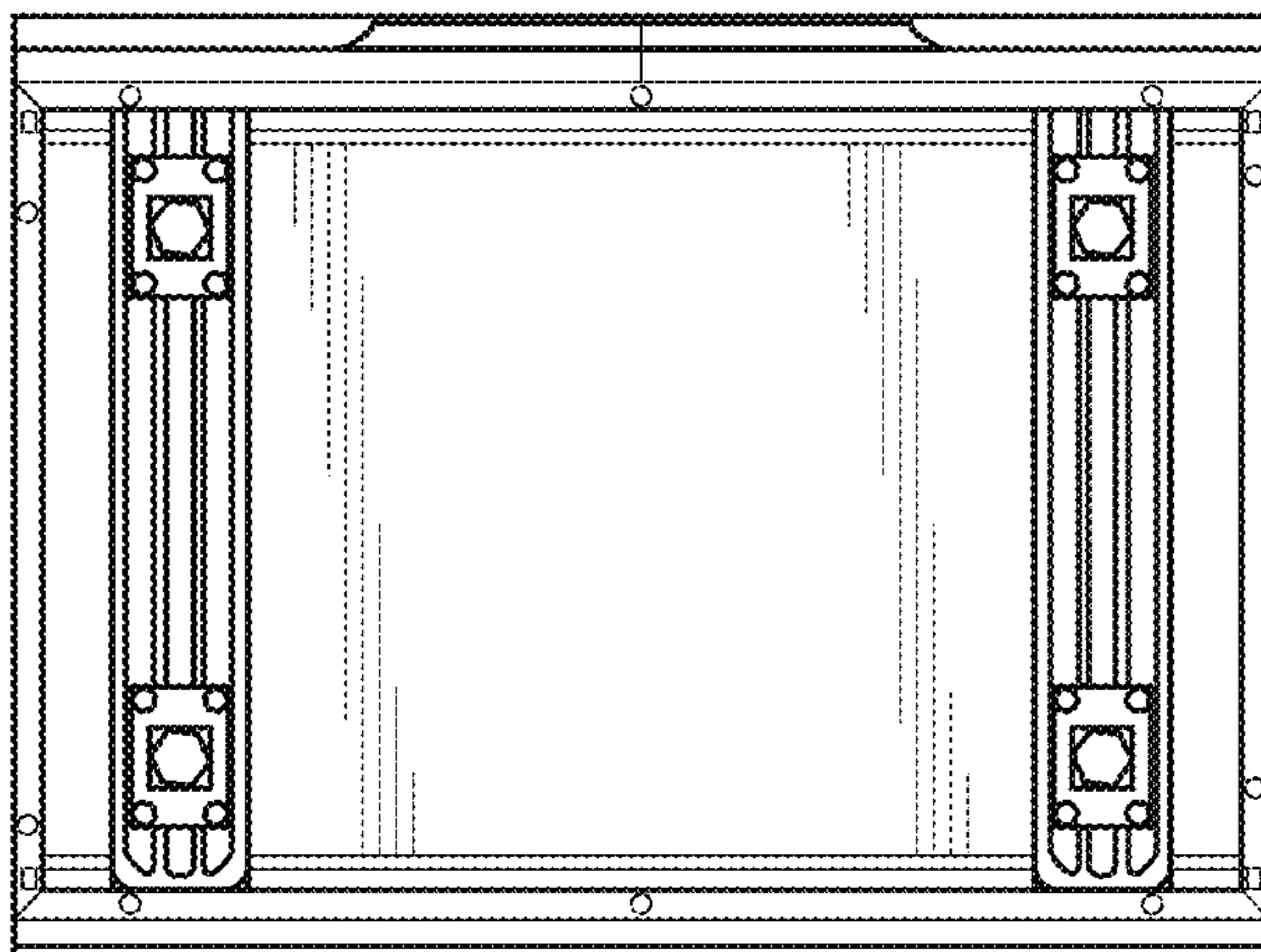


FIG. 16