

US00D793771S

(12) **United States Design Patent** (10) **Patent No.:** **US D793,771 S**
Shea (45) **Date of Patent:** **** Aug. 8, 2017**

- (54) **TOWEL HAVING A HIDDEN POCKET**
- (71) Applicant: **Caren T Shea**, Hingham, MA (US)
- (72) Inventor: **Caren T Shea**, Hingham, MA (US)
- (73) Assignee: **Sonny & Elsie, LLC**, Hingham, MA (US)
- (**) Term: **15 Years**
- (21) Appl. No.: **29/544,107**
- (22) Filed: **Oct. 30, 2015**
- (51) **LOC (10) Cl.** **06-13**
- (52) **U.S. Cl.**
USPC **D6/608**
- (58) **Field of Classification Search**
USPC D6/582-583, 587-592, 595-609,
D6/617-622; D21/803-809; D24/183;
D2/719, 731, 741
CPC A47G 9/00; A47G 2009/001; A47G
2009/002; A47G 2009/003; A47G
2009/005; A47G 2009/006; A47G 9/02;
A47G 9/0207; A47G 9/0215; A47G
9/0223; A47G 9/023; A47G 9/0238;
A47G 9/0246; A47G 9/0253; A47G
9/0261; A47G 9/06; A47G 9/062; A47G
9/066; A47G 9/068; A47G 9/08; A47G
2009/0276; A47G 9/0284; A47G 9/0292;
A47G 9/04; A47G 9/10
See application file for complete search history.

(56) **References Cited**

U.S. PATENT DOCUMENTS

- 3,638,251 A * 2/1972 Weiss A47G 9/02
5/485
- D242,490 S * 11/1976 Belkin D6/602
- D309,392 S * 7/1990 Hafvenstein D6/601
- 5,103,515 A * 4/1992 Bird A45C 3/10
190/2

- D339,951 S * 10/1993 Parkison D6/608
- 5,361,435 A * 11/1994 Reeves A45C 3/10
5/419
- 5,443,880 A * 8/1995 Wike A47K 10/02
2/253
- 5,618,110 A * 4/1997 Sullivan A45C 3/10
224/153

(Continued)

Primary Examiner — Mary Ann Calabrese
Assistant Examiner — Jennifer L Rempfer
(74) *Attorney, Agent, or Firm* — Ascentage Patent Law,
LLC; Travis Lee Johnson; David S. Einfeldt

(57) **CLAIM**

The ornamental design for a towel having a hidden pocket,
as shown and described.

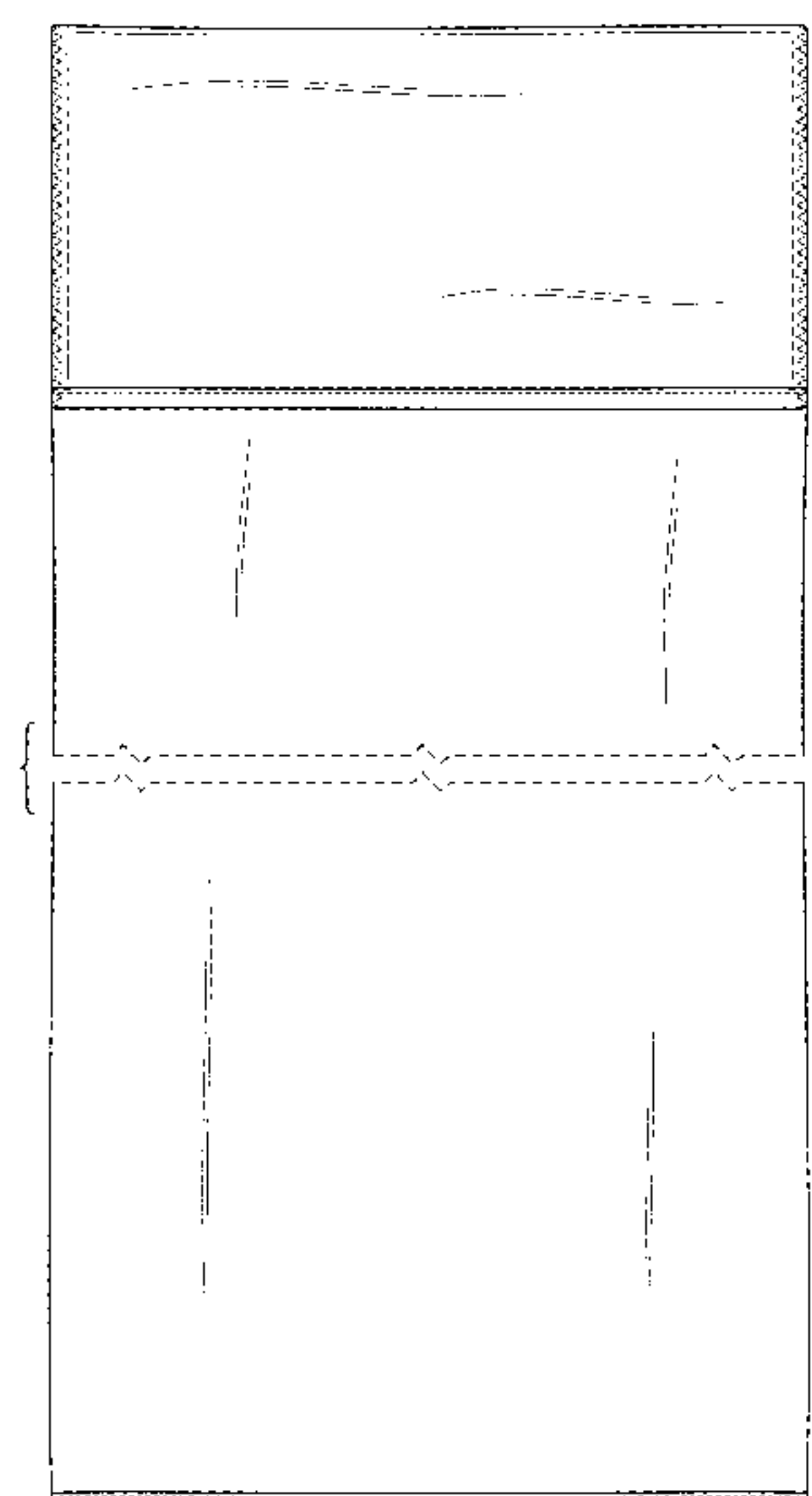
DESCRIPTION

FIG. 1 illustrates a front view of a towel having a hidden pocket showing my new design;
FIG. 2 illustrates a rear view of the towel having a hidden pocket of FIG. 1;
FIG. 3 illustrates a cross sectional side view of the towel having a hidden pocket of FIG. 1 being sectioned on the line 3-3 of FIG. 1;
FIG. 4 illustrates a rear perspective view of the towel having a hidden pocket of FIG. 1; and,
FIG. 5 illustrates a front perspective and partially cut away view of the towel having a hidden pocket of FIG. 1 showing the hidden pocket formed on the inner surface of the upper fold portion of the towel.

The ornamental design of the towel having a hidden pocket, which is claimed, is shown in solid lines in the drawings. Broken lines in the drawings depict portions of the towel having a hidden pocket that form no part of the claimed design.

The towel having a hidden pocket is shown with a symbolic break in its width. The appearance of any portion of the article between the break lines forms no part of the design.

1 Claim, 4 Drawing Sheets



(56)

References Cited

U.S. PATENT DOCUMENTS

D382,757 S * 8/1997 Vick D6/608
 5,724,698 A * 3/1998 Mondragon A47K 10/02
 15/209.1
 5,729,846 A * 3/1998 Sullivan A47G 9/062
 5/419
 D401,105 S * 11/1998 Dewees D6/608
 D428,751 S * 8/2000 Edwards D6/608
 6,148,458 A * 11/2000 Hires A47G 9/0246
 5/485
 D510,195 S * 10/2005 Adams D6/608
 D587,952 S * 3/2009 Skipper D6/595
 D683,167 S * 5/2013 Margalit D6/608
 D707,987 S * 7/2014 Chiang D6/596
 D708,870 S * 7/2014 George D6/608
 D727,664 S * 4/2015 George D6/608
 D740,055 S * 10/2015 Dodda D6/608
 D757,462 S * 5/2016 Mathews D6/608
 D771,978 S * 11/2016 McCullough, Jr. D6/603
 2003/0135925 A1 * 7/2003 Higashi A45C 3/10
 5/417
 2005/0186016 A1 * 8/2005 O'Brien A47K 7/03
 401/201
 2006/0010598 A1 * 1/2006 Rusinak-Connors .. A47G 9/062
 5/417
 2008/0201882 A1 * 8/2008 Hay A45C 9/00
 15/118
 2011/0268930 A1 * 11/2011 Christensen A47G 9/062
 428/192
 2011/0289712 A1 * 12/2011 Scott A47L 13/18
 15/209.1
 2013/0062915 A1 * 3/2013 Ajrouche A47C 1/14
 297/188.2
 2013/0125307 A1 * 5/2013 Margalit A47K 10/02
 5/417

* cited by examiner

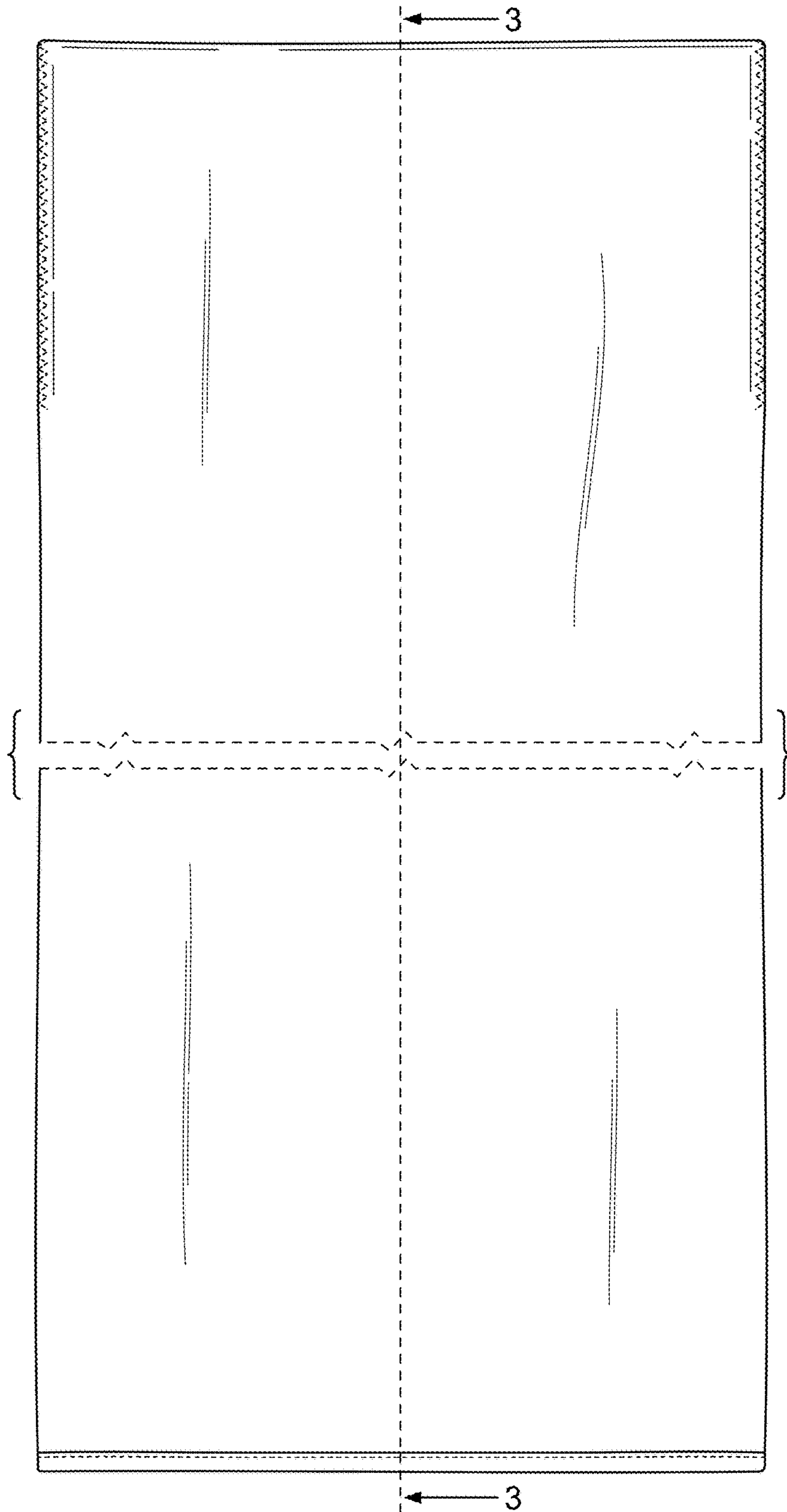


FIG. 1

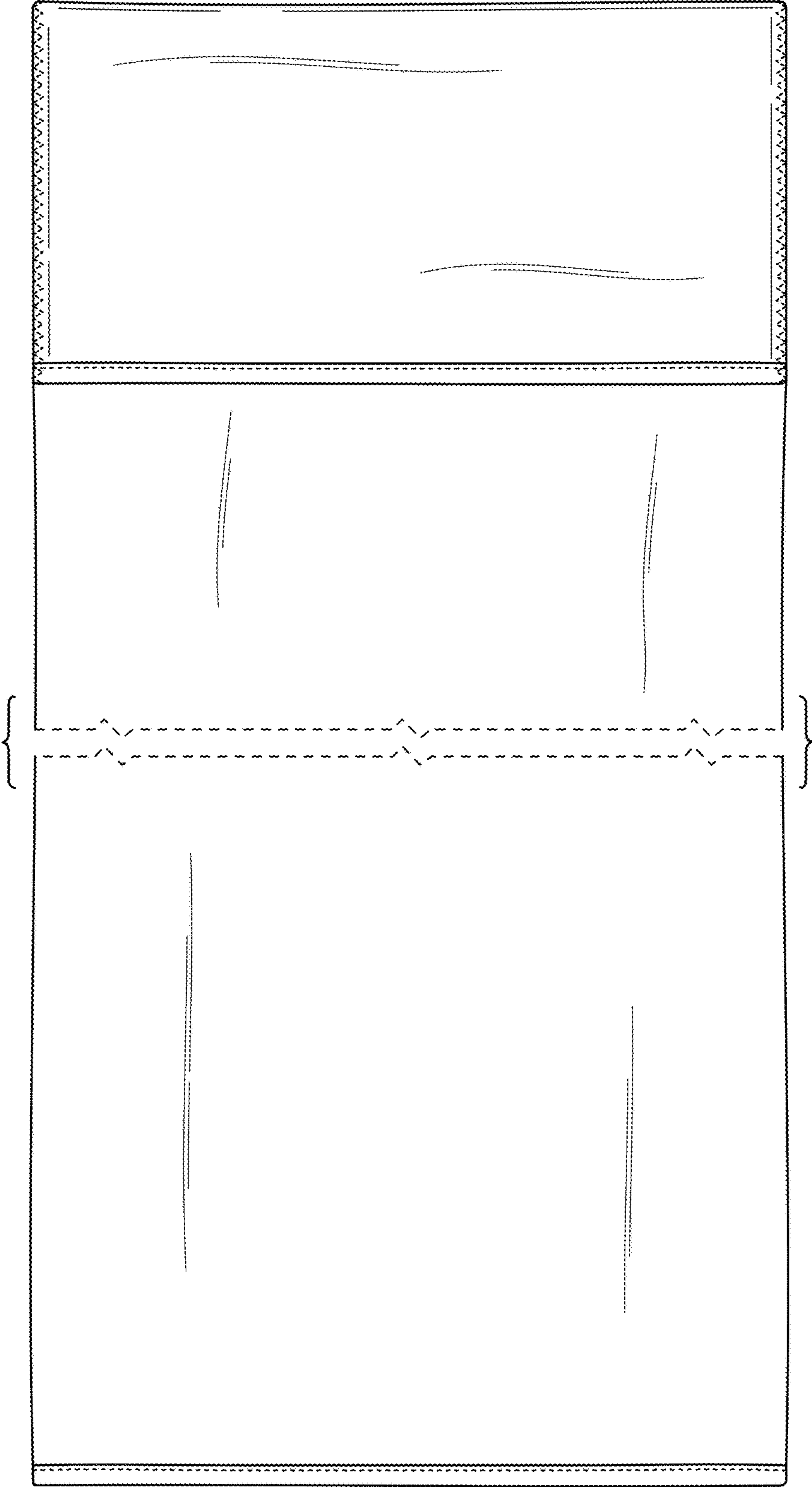


FIG. 2



FIG. 3

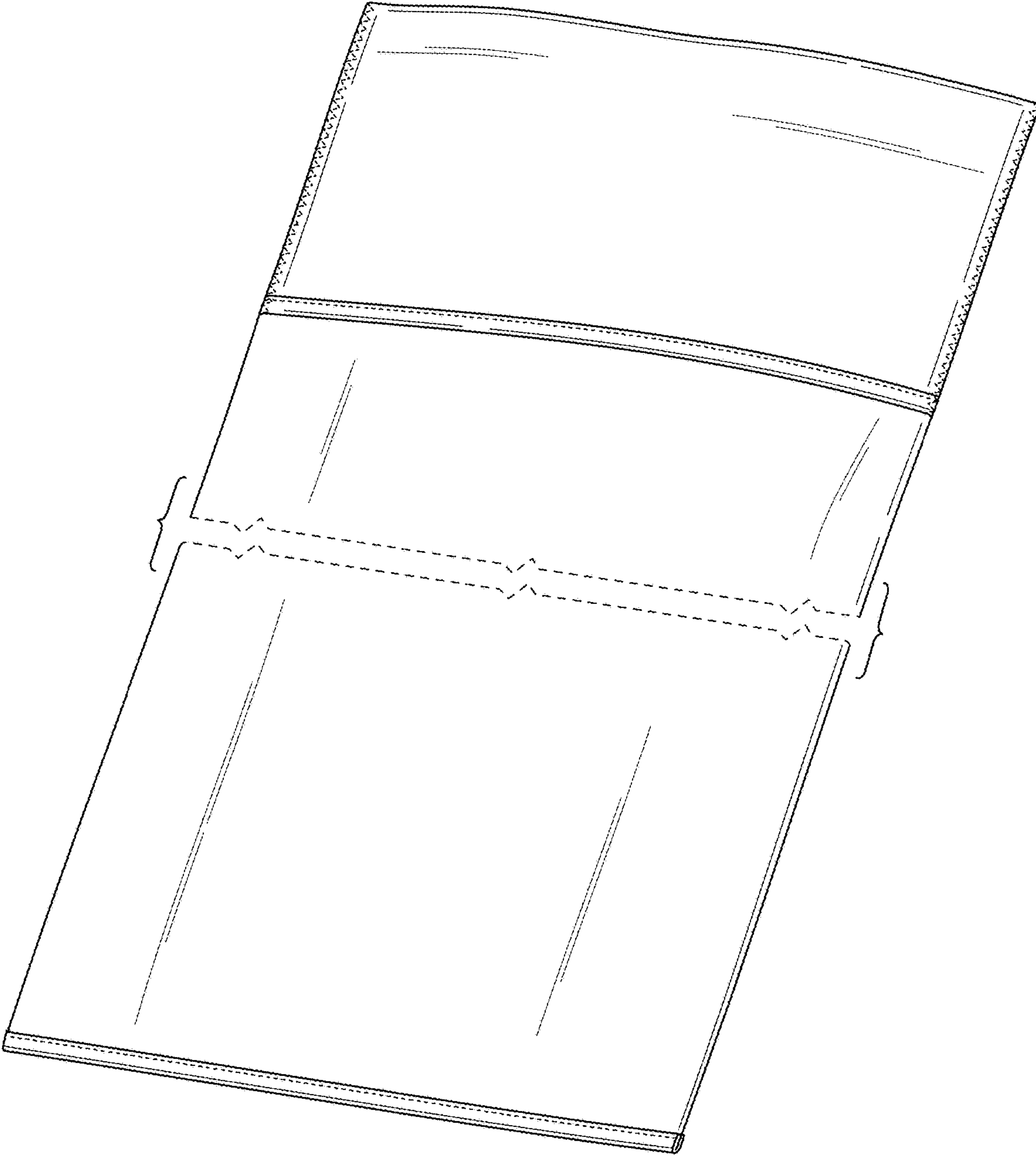


FIG. 4

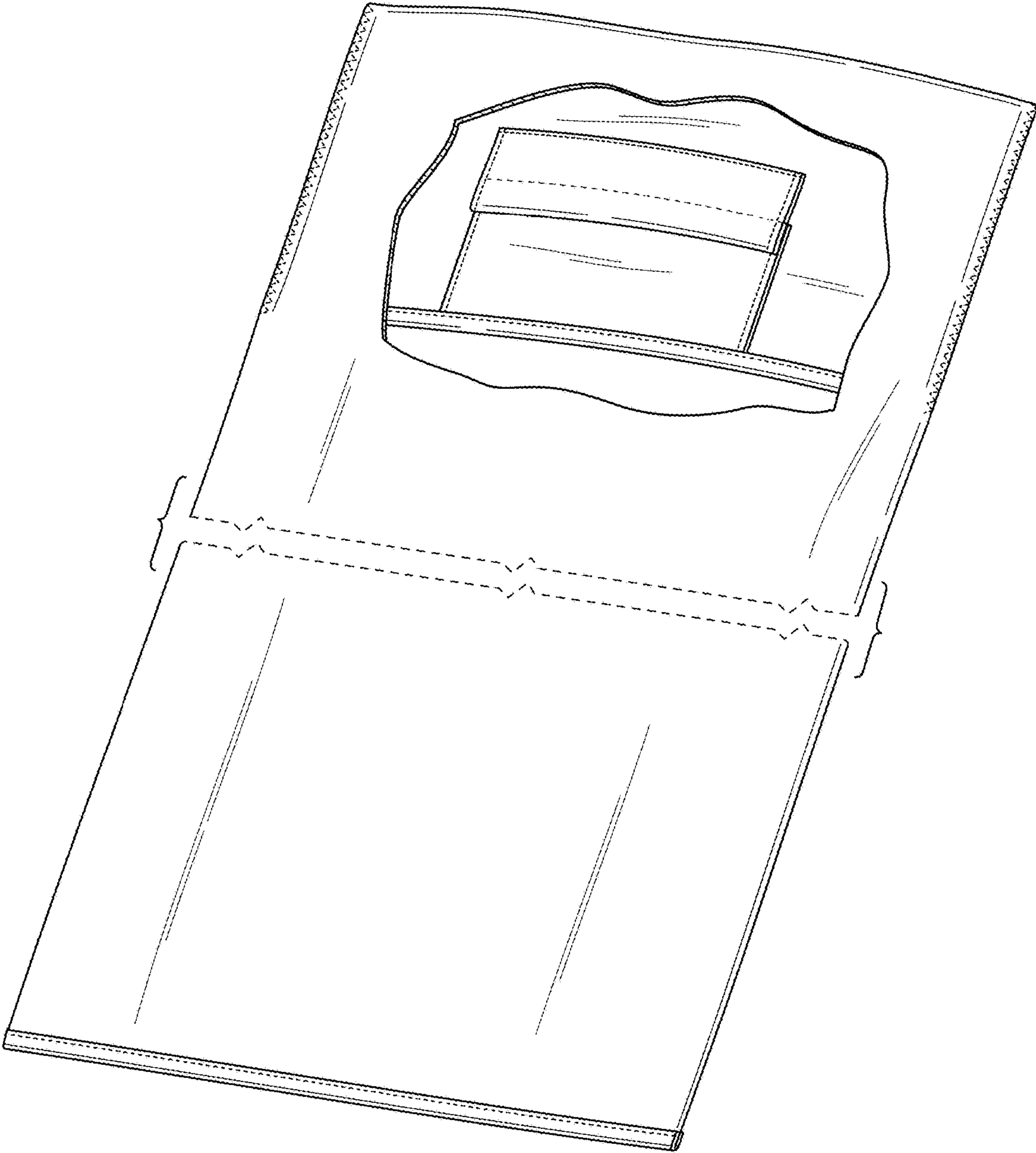


FIG. 5