



US00D793768S

(12) **United States Design Patent**  
**Goddard**

(10) **Patent No.:** **US D793,768 S**

(45) **Date of Patent:** **\*\* Aug. 8, 2017**

(54) **LUMBAR CUSHION**

A47G 9/1081; A47G 9/109; A47C 7/021;  
A47C 27/00

(71) Applicant: **Kraco Enterprises, LLC.**, Compton,  
CA (US)

See application file for complete search history.

(72) Inventor: **Lingere D. Goddard**, Fullerton, CA  
(US)

(56) **References Cited**

(73) Assignee: **Kraco Enterprises, LLC**, Compton,  
CA (US)

U.S. PATENT DOCUMENTS

(\*\*) Term: **15 Years**

- 4,683,601 A \* 8/1987 Lagin ..... A61F 5/00  
128/846
- 4,707,027 A \* 11/1987 Horvath ..... B60N 2/4415  
297/284.6
- 4,738,488 A \* 4/1988 Camelio ..... A47C 7/383  
297/383
- D417,984 S \* 12/1999 Sand ..... D6/368
- D427,833 S \* 7/2000 Robinson ..... D6/601
- 6,123,389 A \* 9/2000 O'Connor ..... A47C 7/383  
297/397
- D440,107 S \* 4/2001 Hsu ..... D6/611

(21) Appl. No.: **29/549,648**

(Continued)

(22) Filed: **Dec. 28, 2015**

(51) **LOC (10) Cl.** ..... **16-09**

*Primary Examiner* — Eric Goodman

*Assistant Examiner* — Sanjeev Paul

(52) **U.S. Cl.**

(74) *Attorney, Agent, or Firm* — Wood Herron & Evans  
LLP

USPC ..... **D6/601**

(58) **Field of Classification Search**

(57) **CLAIM**

The ornamental design for a lumbar cushion, as shown and  
described.

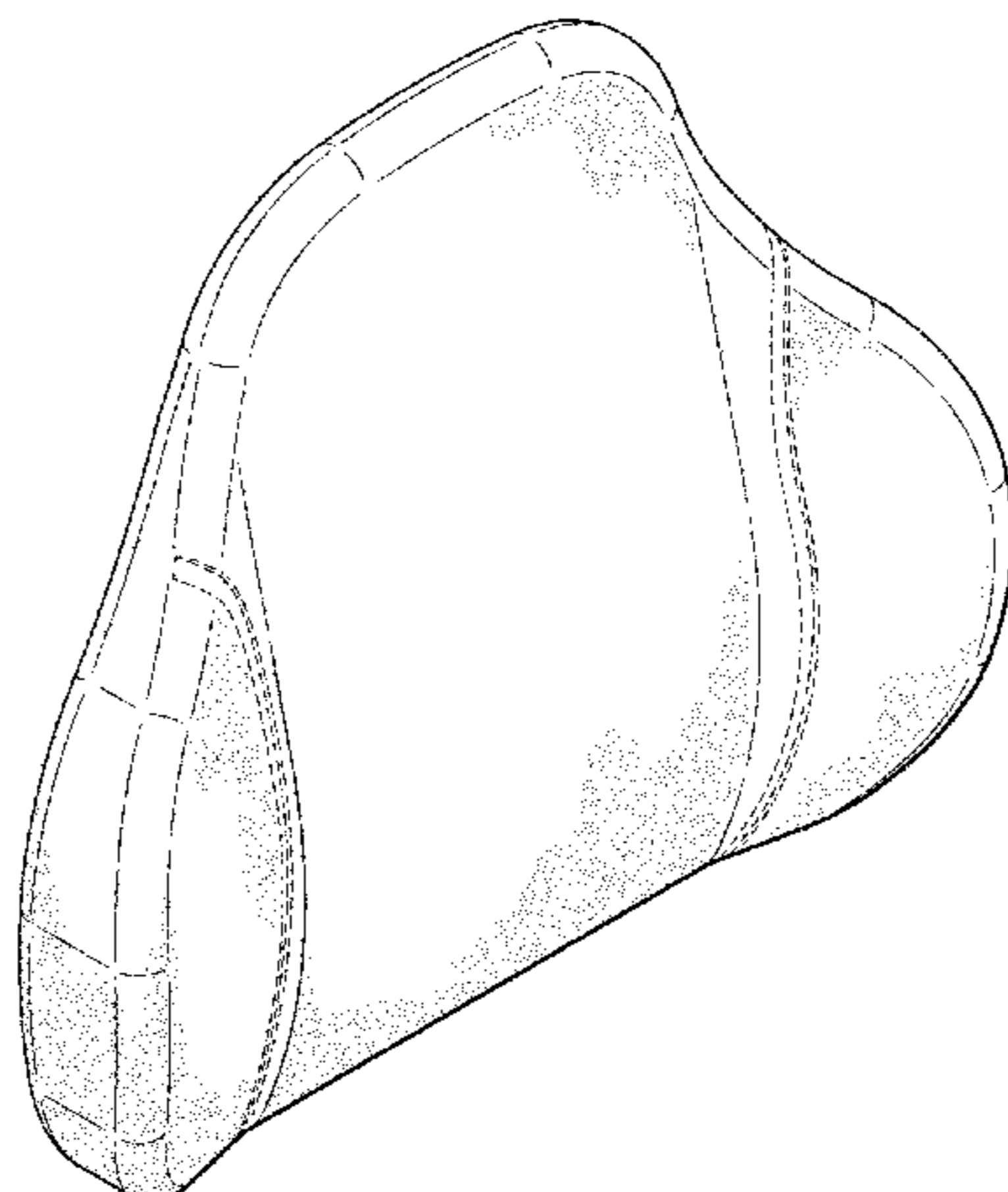
USPC ..... D6/333, 349, 355, 375, 388, 512, 563,  
D6/564, 595, 596, 601, 604, 611, 707,  
D6/715, 716, 716.1; D24/183–185, 234;  
D21/803, 804, 805, 809; 5/401, 420,  
5/600, 630, 631, 632, 633, 635, 636, 638,  
5/639, 646, 652, 652.1, 655, 703, 730;  
297/1, 2, 4, 93, 180.11, 195.1, 195.11,  
297/195.13, 393, 397, 452.12, 452.14,  
297/452.15, 452.21, 452.24, 452.26,  
297/452.48, 452.62, 482; D16/333, 349,  
D16/355, 375, 388, 512, 563, 564, 595,  
D16/596, 601, 604, 611, 707, 715, 716,  
D16/716.1

**DESCRIPTION**

CPC ..... A47G 9/10; A47G 9/1009; A47G 9/1018;  
A47G 9/1027; A47G 9/1036; A47G  
9/1045; A47G 9/1063; A47G 9/1072;

FIG. 1 is a front top isometric view of my new lumbar  
cushion design;  
FIG. 2 is a rear bottom isometric view thereof;  
FIG. 3 is a front view thereof;  
FIG. 4 is a rear view thereof;  
FIG. 5 is a right side view thereof;  
FIG. 6 is a left side view thereof;  
FIG. 7 is a cross-sectional view taken along line 7-7 of FIG.  
3;  
FIG. 8 is a top plan view thereof; and,  
FIG. 9 is a bottom plan view thereof.  
The broken dash line hatching shown in the cross-sectional  
drawing view of FIG. 7 forms no part of the claimed  
invention. The broken dash lines shown in the drawing

(Continued)



views represent non-claimed subject matter, and neither the lines themselves nor anything within the lines form any part of the claimed invention.

**1 Claim, 6 Drawing Sheets**

(56)

**References Cited**

U.S. PATENT DOCUMENTS

D440,451 S \* 4/2001 Roberts ..... D6/601  
 D440,452 S \* 4/2001 Roberts ..... D6/601  
 D440,453 S \* 4/2001 Roberts ..... D6/601  
 6,484,337 B1 \* 11/2002 Moe ..... A47C 7/021  
 5/652  
 D476,185 S \* 6/2003 Siegal ..... D6/601  
 6,929,325 B1 \* 8/2005 Goelo ..... A47C 1/16  
 297/183.5  
 D553,412 S \* 10/2007 Cupo ..... D6/601  
 D568,085 S \* 5/2008 Pawsey ..... D6/601  
 D595,526 S \* 7/2009 Mills ..... D6/601  
 D597,364 S \* 8/2009 Lindgren ..... D6/601  
 D611,285 S \* 3/2010 Berland ..... D6/601  
 D653,488 S \* 2/2012 Thomason ..... D6/601

D707,358 S \* 6/2014 Mantilla ..... D24/184  
 D709,303 S \* 7/2014 Velasco ..... D6/601  
 D722,449 S \* 2/2015 Krishtul ..... D6/601  
 8,950,027 B2 \* 2/2015 Yamamoto ..... A61F 5/055  
 5/636  
 D753,415 S \* 4/2016 Atawane ..... D6/601  
 D755,535 S \* 5/2016 Benezri ..... D6/391  
 D764,189 S \* 8/2016 Edwards ..... D6/349  
 D766,016 S \* 9/2016 Fornango ..... D6/601  
 D769,027 S \* 10/2016 Wang ..... D6/601  
 D770,806 S \* 11/2016 Canna ..... D6/601  
 D773,840 S \* 12/2016 Tse ..... D15/28  
 D779,857 S \* 2/2017 Goddard ..... D6/601  
 2008/0163428 A1 \* 7/2008 Groteke ..... A61F 5/56  
 5/638  
 2009/0145442 A1 \* 6/2009 Hecox ..... A47G 9/1009  
 128/845  
 2012/0186025 A1 \* 7/2012 Kardos ..... A47C 7/425  
 5/655.9  
 2013/0198961 A1 \* 8/2013 Davis ..... A47C 7/62  
 5/648  
 2015/0274048 A1 \* 10/2015 Mogi ..... B60N 2/5642  
 297/452.48  
 2015/0351564 A1 \* 12/2015 Vogel ..... A47G 9/1081  
 5/640

\* cited by examiner

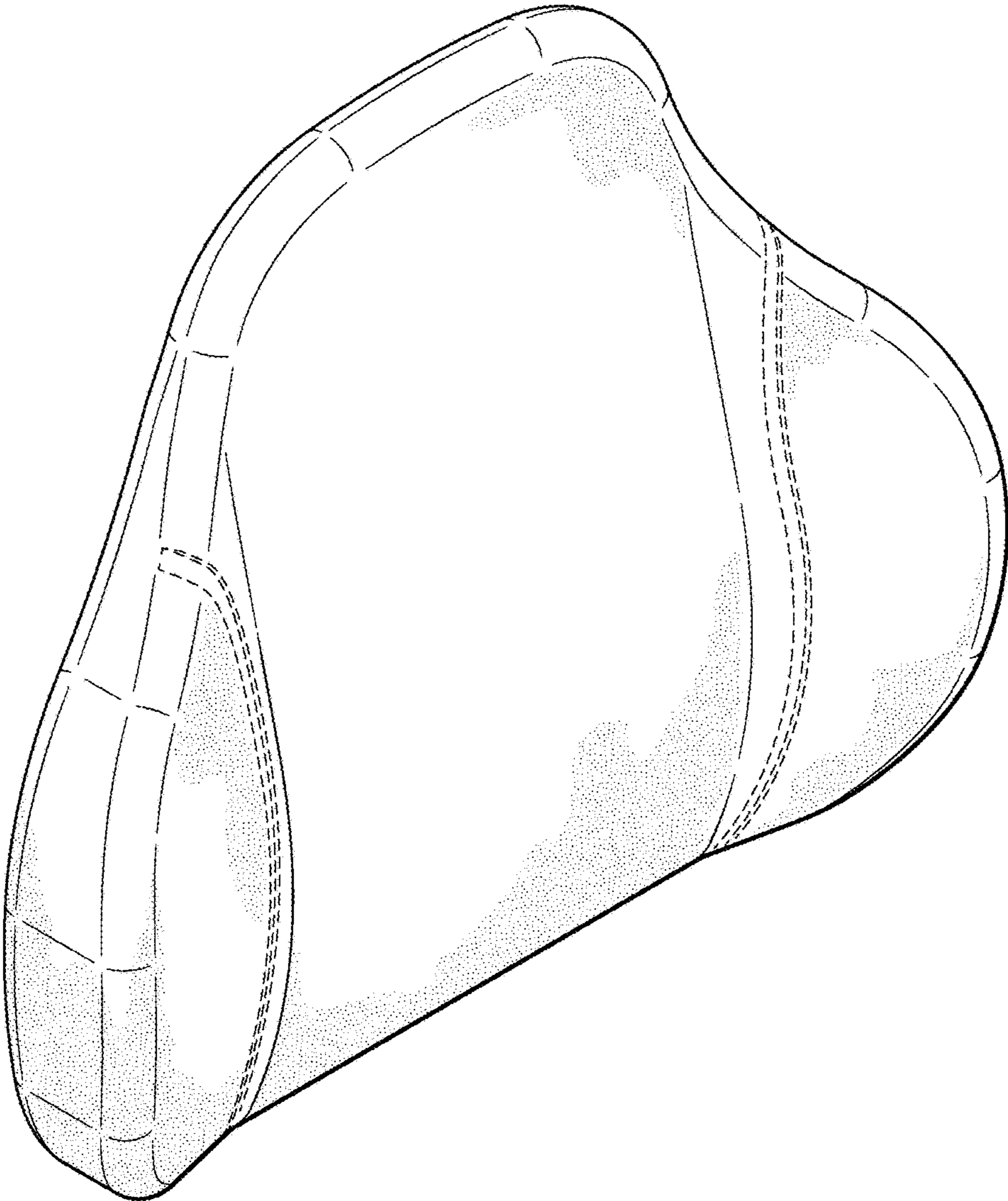


FIG. 1

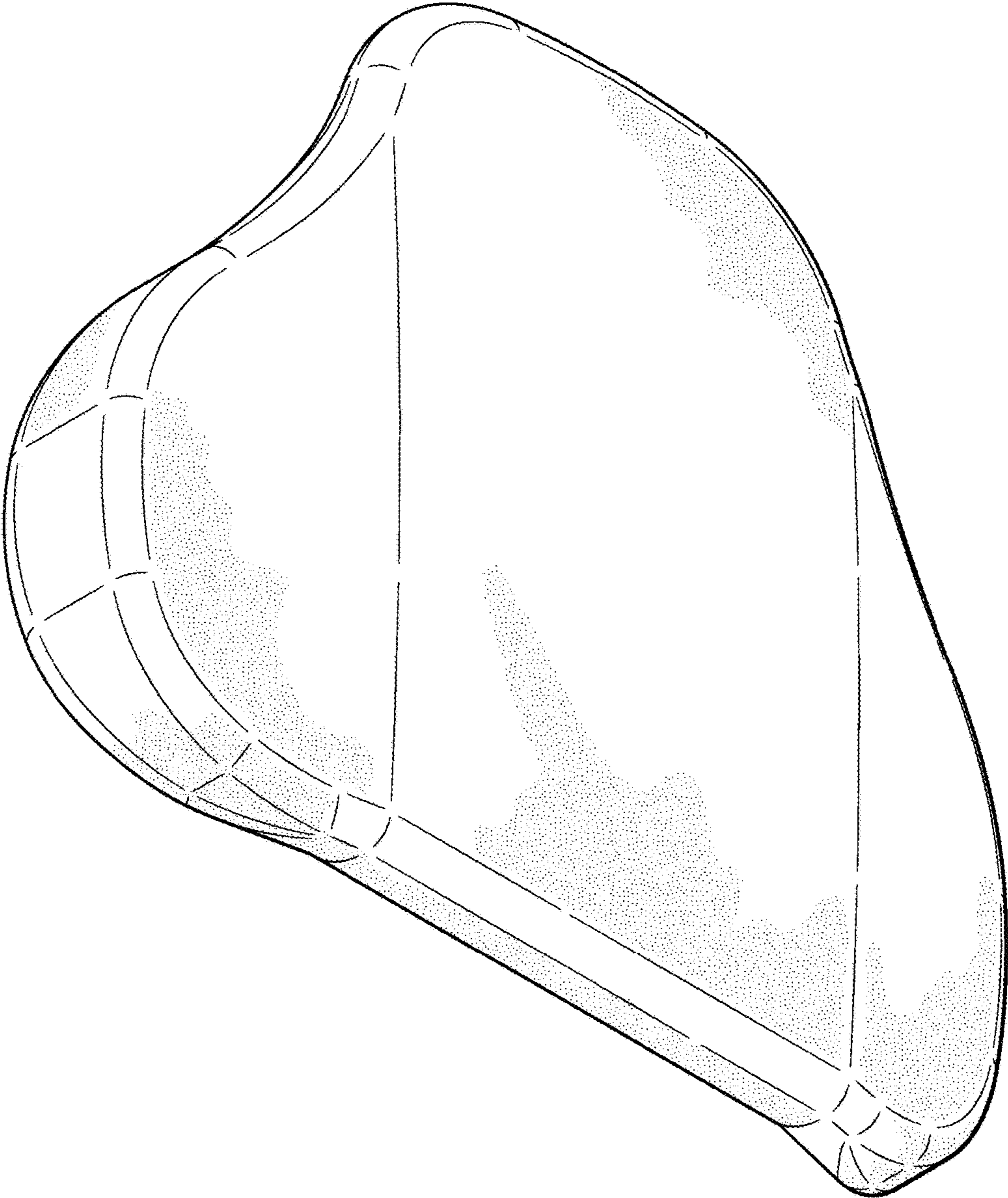


FIG. 2



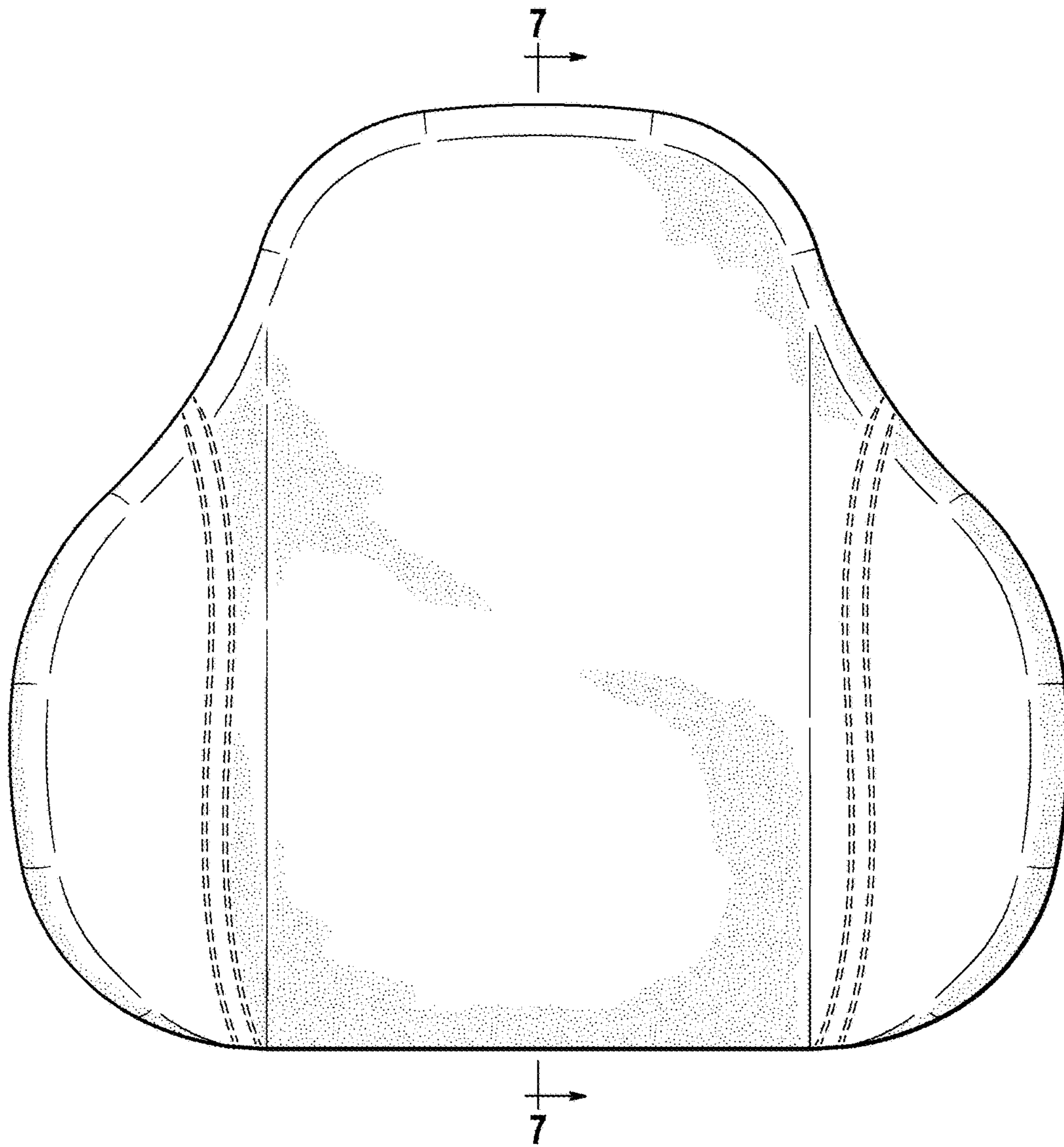


FIG. 3

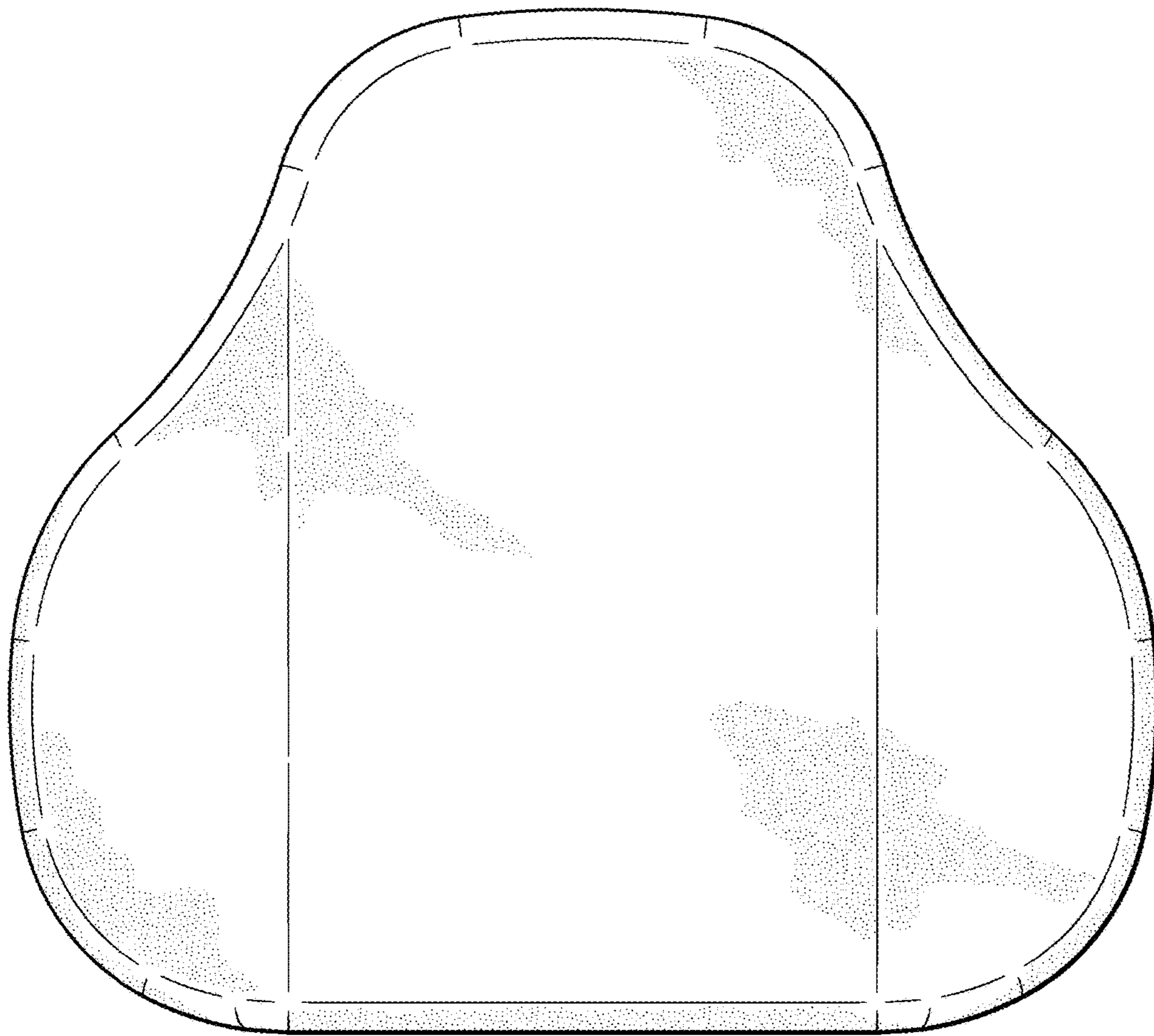


FIG. 4

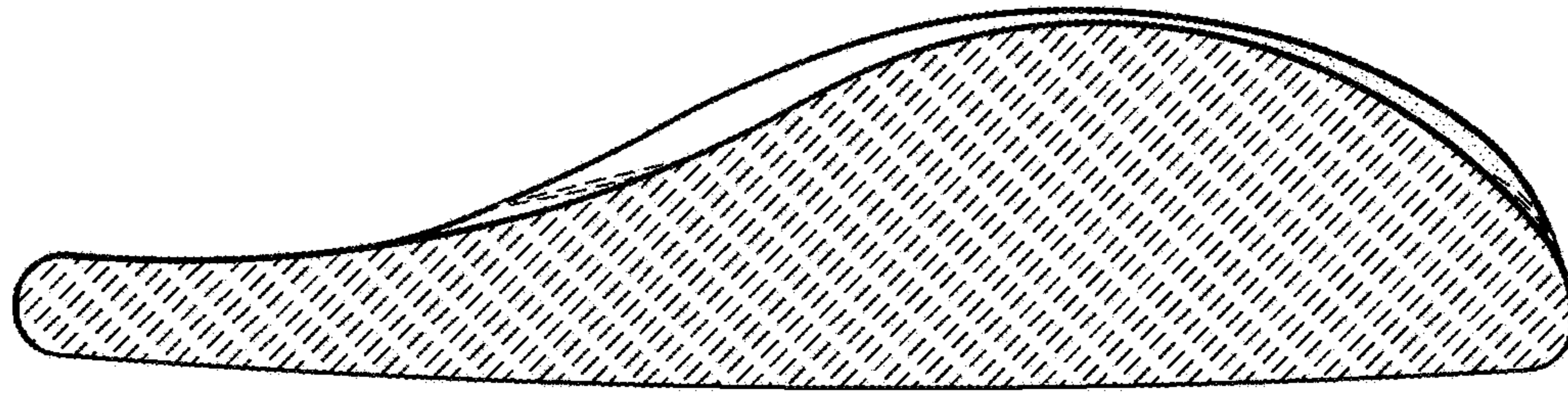


FIG. 7

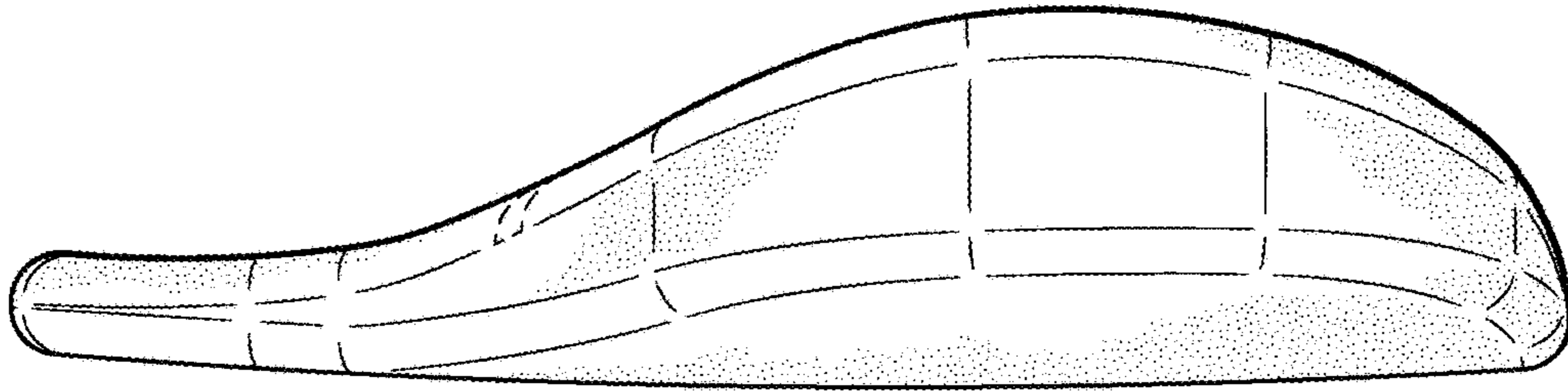


FIG. 6

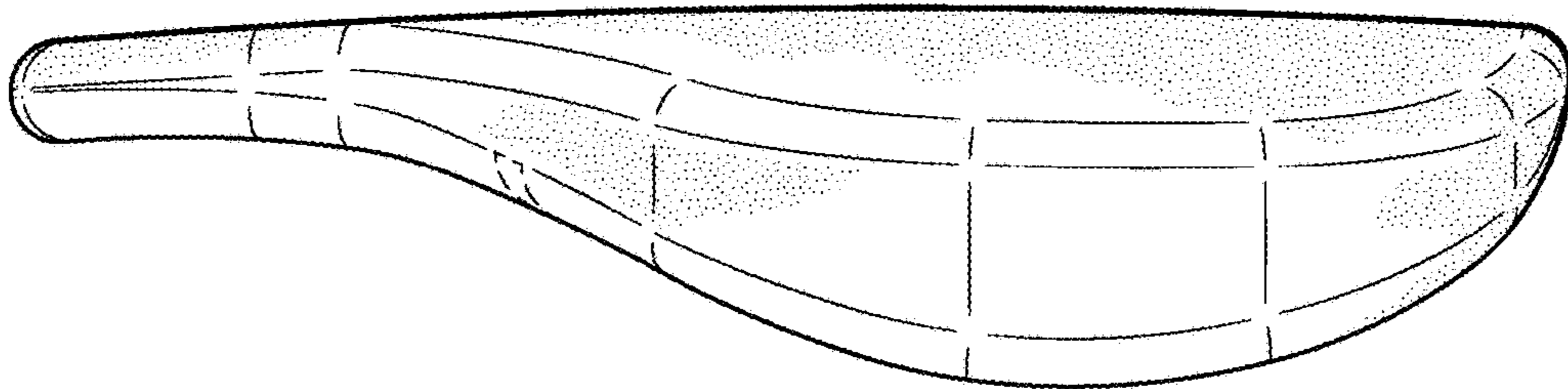


FIG. 5

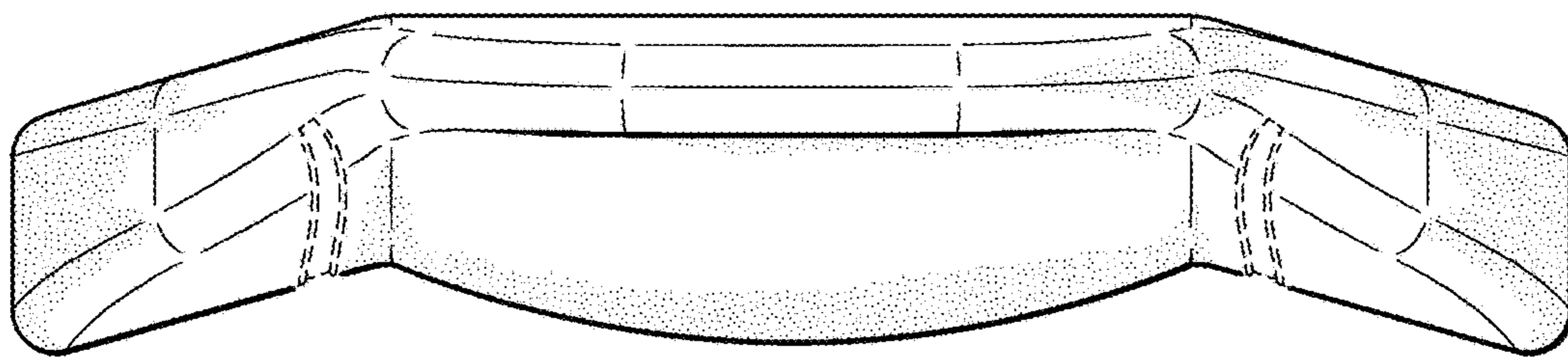


FIG. 8

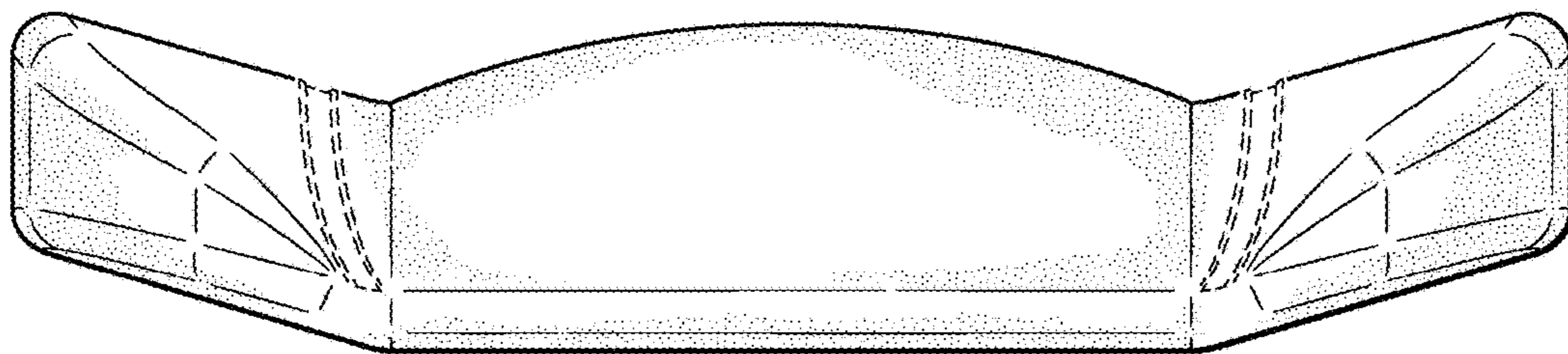


FIG. 9