



US00D793764S

(12) **United States Design Patent**  
**Libman et al.**

(10) **Patent No.:** **US D793,764 S**  
(45) **Date of Patent:** **\*\* Aug. 8, 2017**

- (54) **SINK CADDY INSERT**
- (71) Applicant: **The Libman Company**, Arcola, IL (US)
- (72) Inventors: **Andrew D. Libman**, Champaign, IL (US); **Aaron Libman**, Champaign, IL (US); **Carlos Aguiar**, Burgo (PT); **Fernando De Jesus Santos**, Maceira Lra (PT)
- (73) Assignee: **The Libman Company**, Arcola, IL (US)
- (\*\*) Term: **15 Years**
- (21) Appl. No.: **29/556,917**
- (22) Filed: **Mar. 4, 2016**
- (51) **LOC (10) Cl.** ..... **06-04**
- (52) **U.S. Cl.**  
USPC ..... **D6/553**
- (58) **Field of Classification Search**  
USPC ..... D6/553, 510, 524, 525, 566, 536-537, D6/540, 567; D3/306, 304; D30/133; 141/100  
CPC ..... A47J 47/16; A47J 47/20; A47K 10/04; A47L 19/02; A47L 17/02; E03C 1/186  
See application file for complete search history.

- D512,255 S 12/2005 Snell
- D532,234 S 11/2006 Snell
- D532,235 S 11/2006 Snell
- D532,236 S 11/2006 Dretzka
- D532,570 S 11/2006 Vizcarra et al.
- D532,639 S 11/2006 Snell
- D534,024 S 12/2006 Dretzka
- D553,820 S 10/2007 Baumgart et al.
- D563,708 S 3/2008 Snell
- D563,709 S 3/2008 Snell
- D566,361 S 4/2008 Snell
- D566,919 S 4/2008 Snell
- D568,019 S 4/2008 Joseph
- D582,120 S 12/2008 Snell
- D584,550 S 1/2009 Millilo
- D592,434 S 5/2009 Thompson et al.
- D600,017 S \* 9/2009 Christie ..... D3/304
- D612,648 S 3/2010 Guindi

(Continued)

*Primary Examiner* — Wan Laymon  
*Assistant Examiner* — Mark Booker  
(74) *Attorney, Agent, or Firm* — Banner & Witcoff, Ltd.

(57) **CLAIM**

The ornamental design for a sink caddy insert, as shown and described.

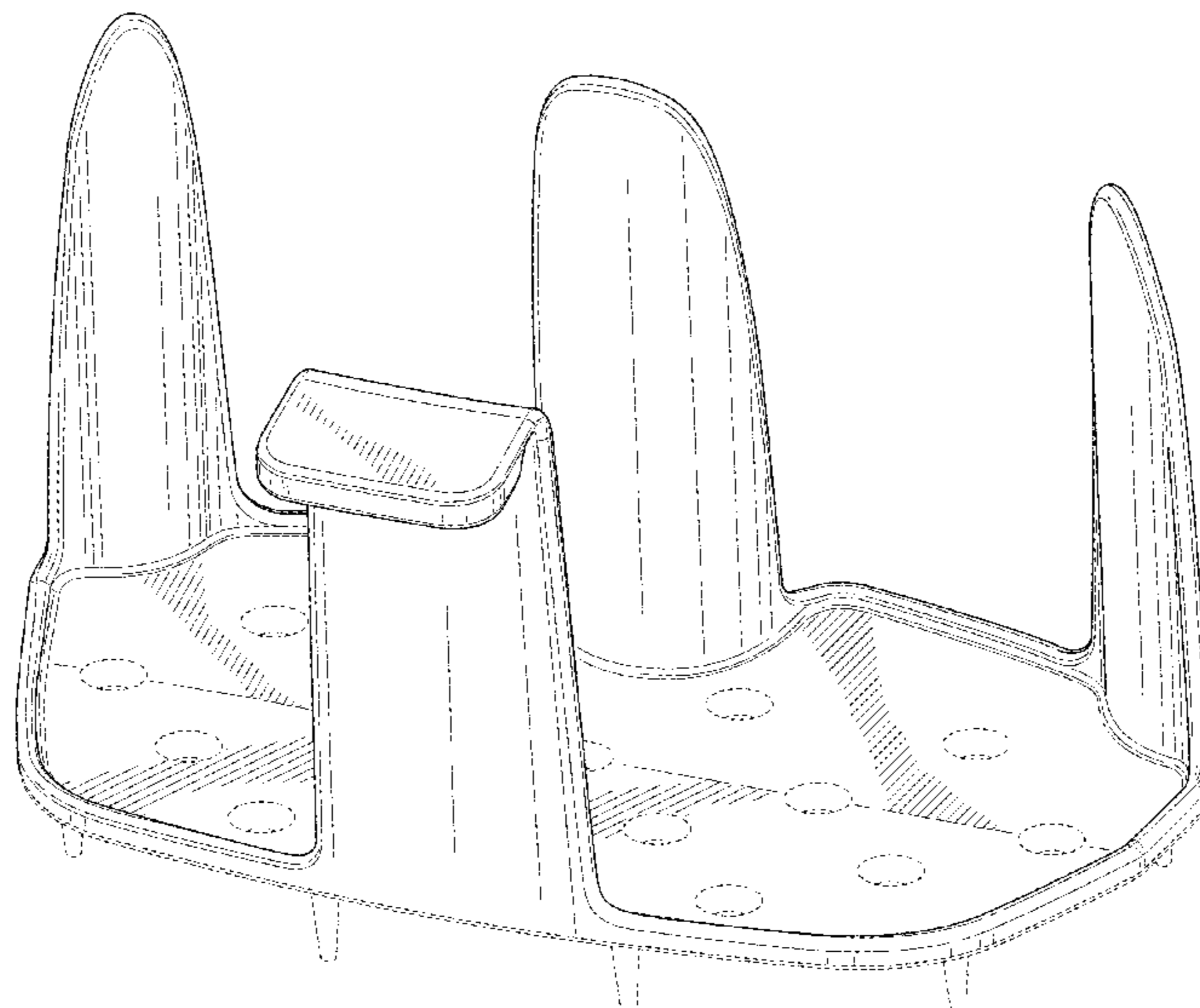
**DESCRIPTION**

FIG. 1 is a top, front, right perspective view of a sink caddy insert showing our new design; FIG. 2 is a front view thereof; FIG. 3 is a rear view thereof; FIG. 4 is a right side view thereof; FIG. 5 is a left side view thereof; and, FIG. 6 is a top view thereof.

The broken lines immediately adjacent to the shaded area represent unclaimed boundaries of the design. The broken lines showing the remainder of the sink caddy insert are for environmental purposes only and form no part of the claimed design.

**1 Claim, 6 Drawing Sheets**

- (56) **References Cited**  
U.S. PATENT DOCUMENTS
- 5,590,804 A 1/1997 Crum et al.
- D453,651 S 2/2002 Snell
- D464,516 S 10/2002 Snell
- D479,663 S 9/2003 Snell
- D481,894 S 11/2003 Hunt
- D483,587 S 12/2003 Snell
- 6,698,464 B2 \* 3/2004 Hennemann, Jr. .... E03C 1/182 141/100
- D492,112 S 6/2004 Hardy



(56)

References Cited

U.S. PATENT DOCUMENTS

|              |         |                |                 |         |                  |
|--------------|---------|----------------|-----------------|---------|------------------|
| D626,363 S   | 11/2010 | Yang et al.    | 8,801,926 B2    | 8/2014  | Housley          |
| D635,383 S   | 4/2011  | Yang et al.    | D717,070 S      | 11/2014 | Callif et al.    |
| D636,201 S   | 4/2011  | Kolano et al.  | D718,510 S      | 11/2014 | Goodman et al.   |
| D637,850 S   | 5/2011  | Ghiorghie      | D723,293 S      | 3/2015  | Goodman et al.   |
| D642,841 S   | 8/2011  | Dretzka        | D723,301 S      | 3/2015  | Callif et al.    |
| D651,779 S   | 1/2012  | Balkum         | D723,302 S      | 3/2015  | Goodman et al.   |
| D655,472 S   | 3/2012  | Krus et al.    | D723,760 S      | 3/2015  | Goodman et al.   |
| D662,785 S   | 7/2012  | Kern et al.    | D723,761 S      | 3/2015  | Goodman et al.   |
| D668,496 S   | 10/2012 | Ho et al.      | D726,446 S      | 4/2015  | Tollasepp et al. |
| 8,296,876 B2 | 10/2012 | Yang et al.    | D727,654 S      | 4/2015  | Tollasepp et al. |
| D679,528 S   | 4/2013  | Gilboe et al.  | D730,078 S      | 5/2015  | Kolano           |
| D688,019 S   | 8/2013  | Lee et al.     | D731,728 S      | 6/2015  | Evans et al.     |
| D691,774 S   | 10/2013 | Goodman et al. | D737,595 S      | 9/2015  | Eilmus et al.    |
| D692,633 S   | 10/2013 | Goodman et al. | D762,934 S      | 8/2016  | Evans et al.     |
| D694,037 S   | 11/2013 | Primeau        | D765,334 S      | 8/2016  | Donald et al.    |
| D697,309 S   | 1/2014  | Baldwin et al. | 2012/0240330 A1 | 9/2012  | Fulford et al.   |
| D699,012 S   | 2/2014  | Ziemann et al. | 2013/0326807 A1 | 12/2013 | Ahn              |
| D699,478 S   | 2/2014  | Snider         | 2014/0034795 A1 | 2/2014  | Brinkmann        |
| D699,972 S   | 2/2014  | Lee et al.     | 2014/0245533 A1 | 9/2014  | Lee et al.       |
| D701,395 S   | 3/2014  | Snider         | 2014/0259380 A1 | 9/2014  | Eilmus et al.    |
| D701,397 S   | 3/2014  | Snider         | 2014/0259381 A1 | 9/2014  | Fogelie          |
| 8,684,192 B1 | 4/2014  | Margolin       | 2014/0346102 A1 | 11/2014 | Housley          |
|              |         |                | 2014/0352054 A1 | 12/2014 | Tollasepp et al. |
|              |         |                | 2015/0230667 A1 | 8/2015  | Palazzolo et al. |

\* cited by examiner

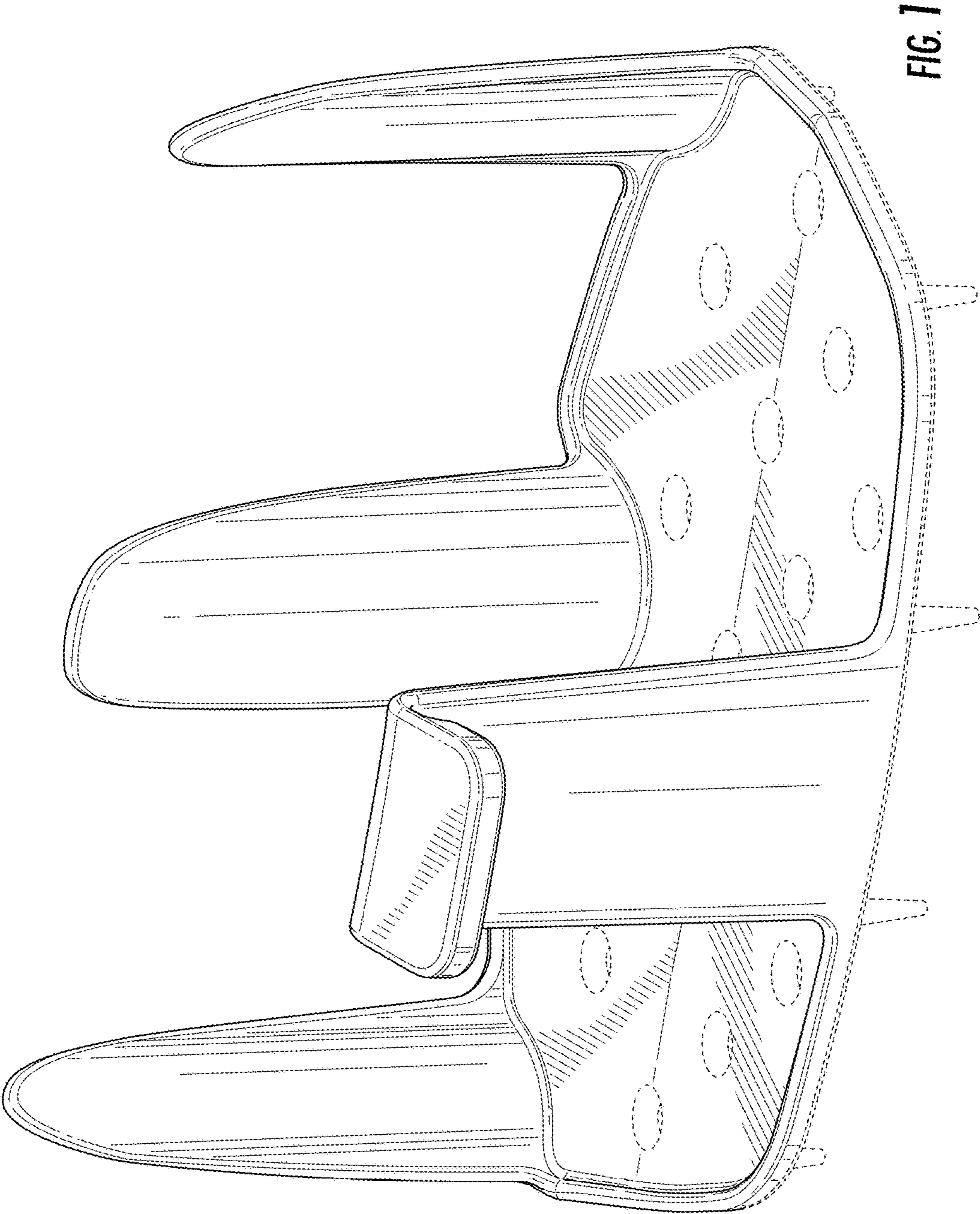


FIG. 7

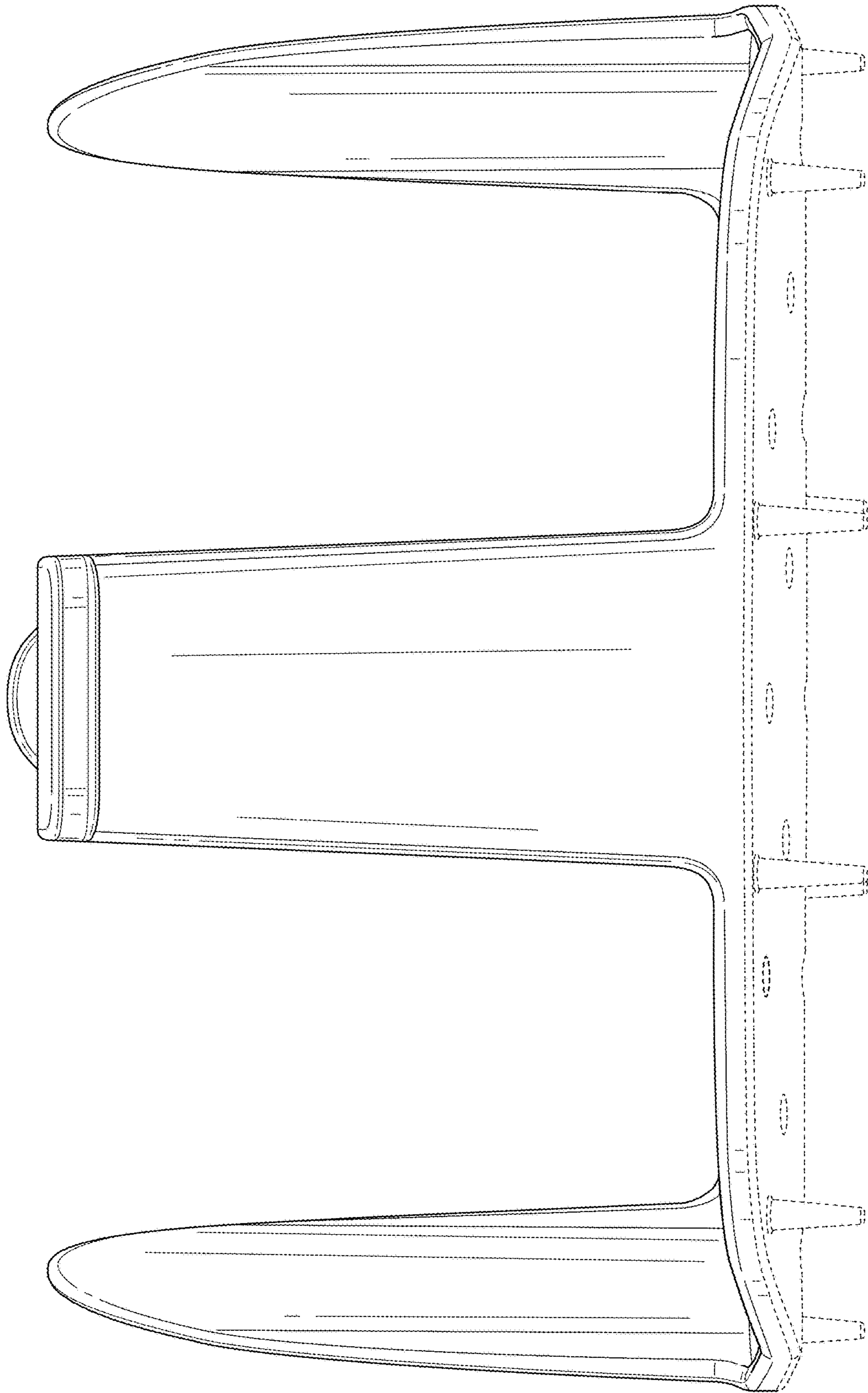


FIG. 2

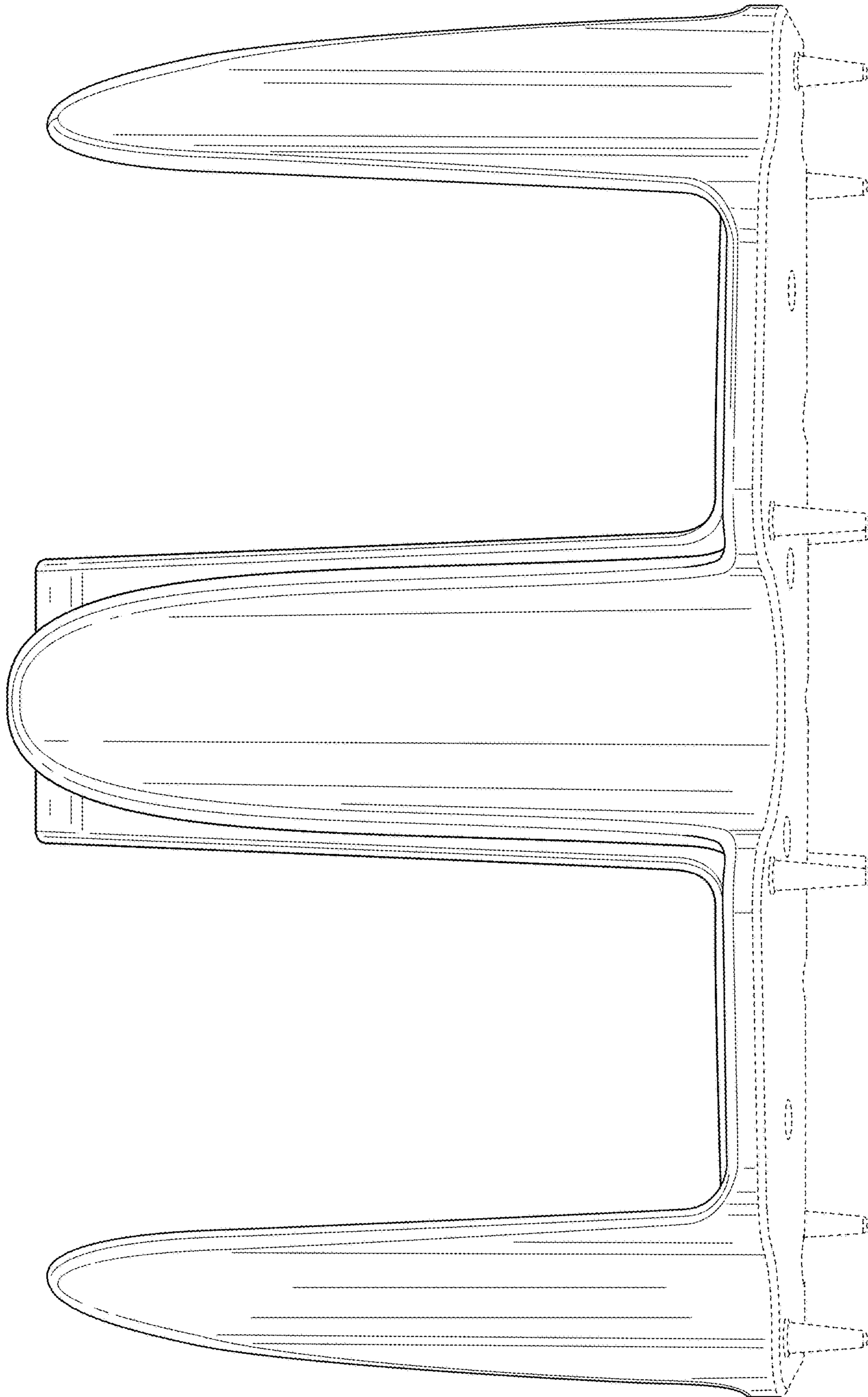


FIG. 3

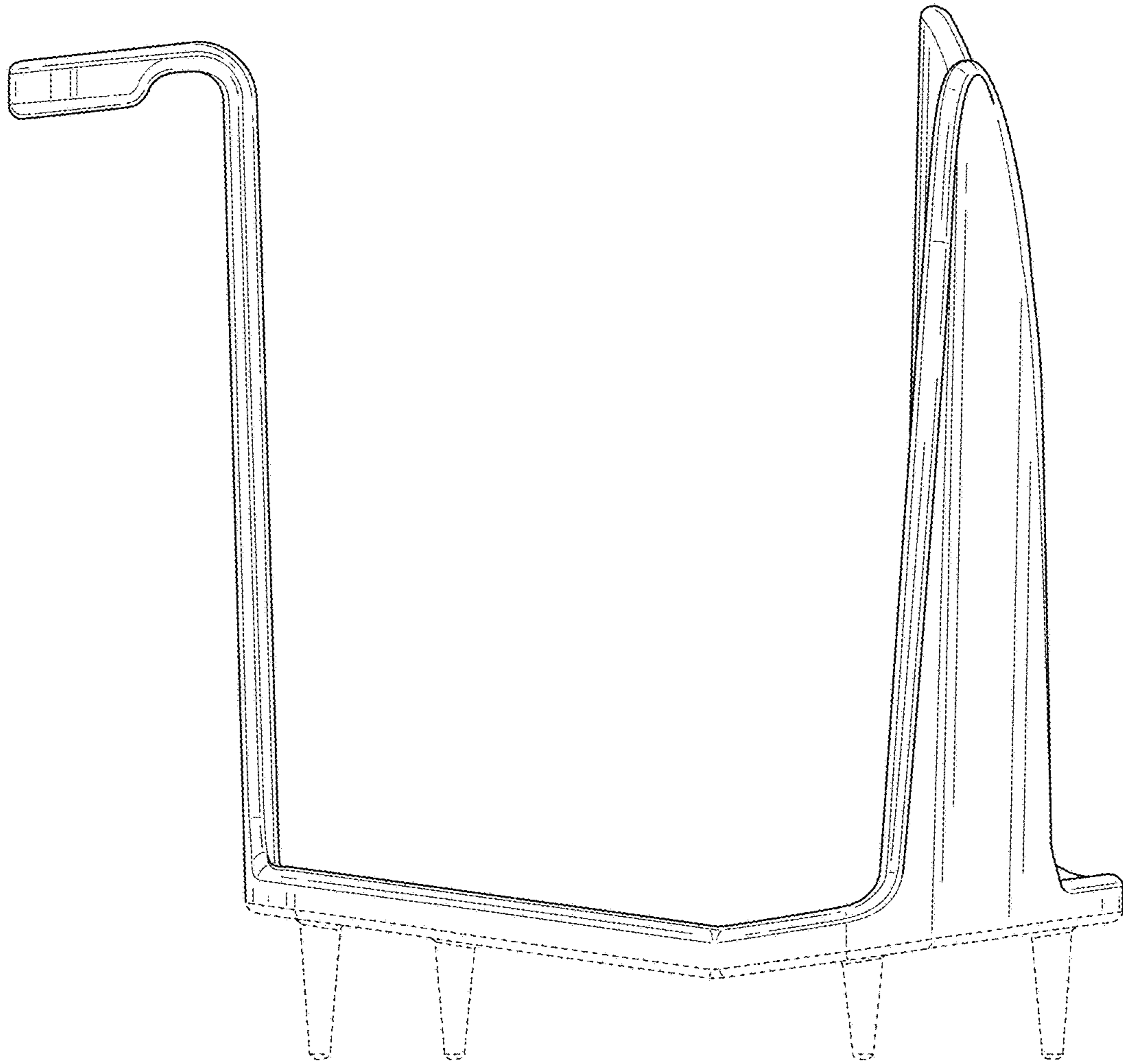


FIG. 4

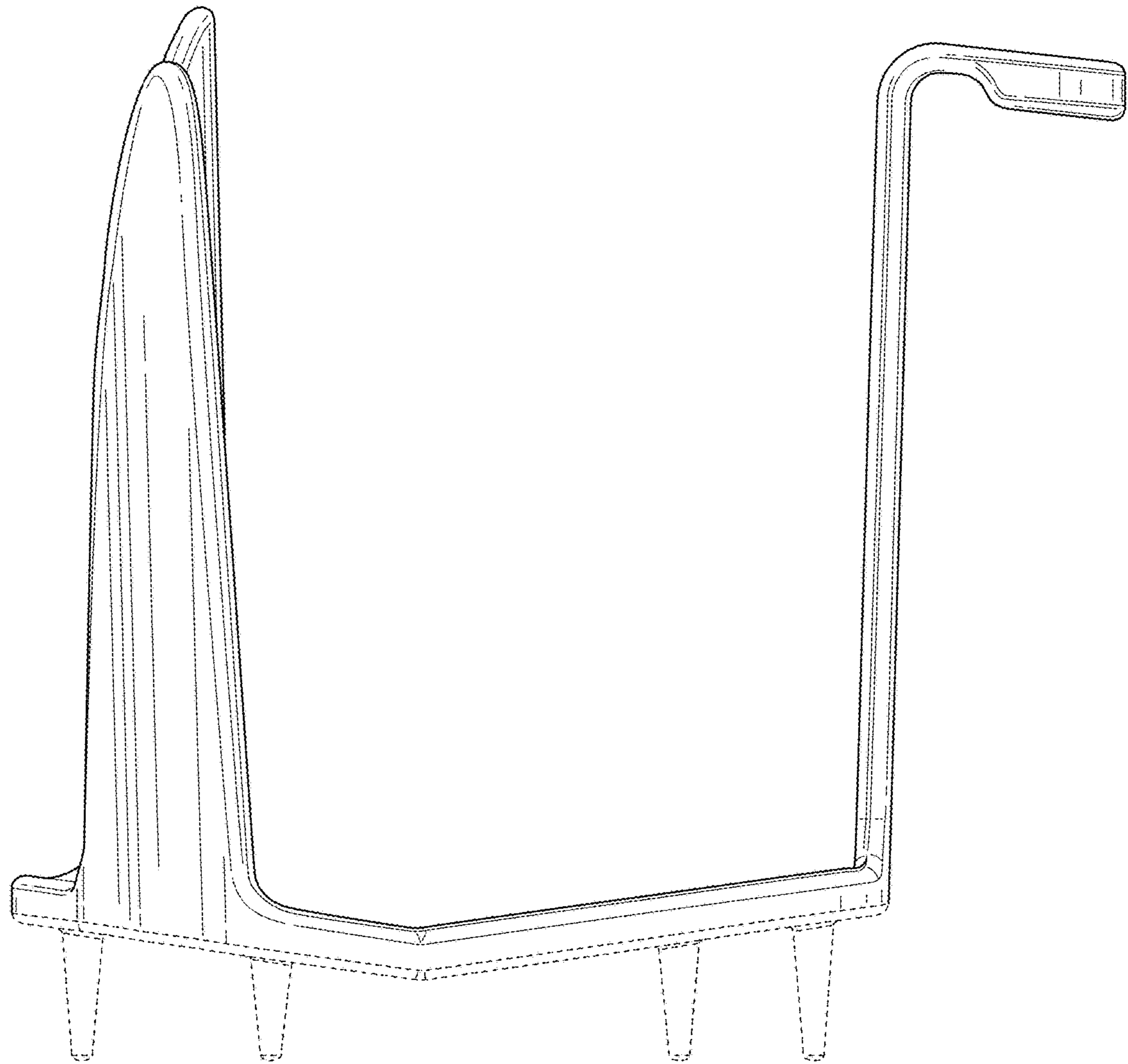


FIG. 5

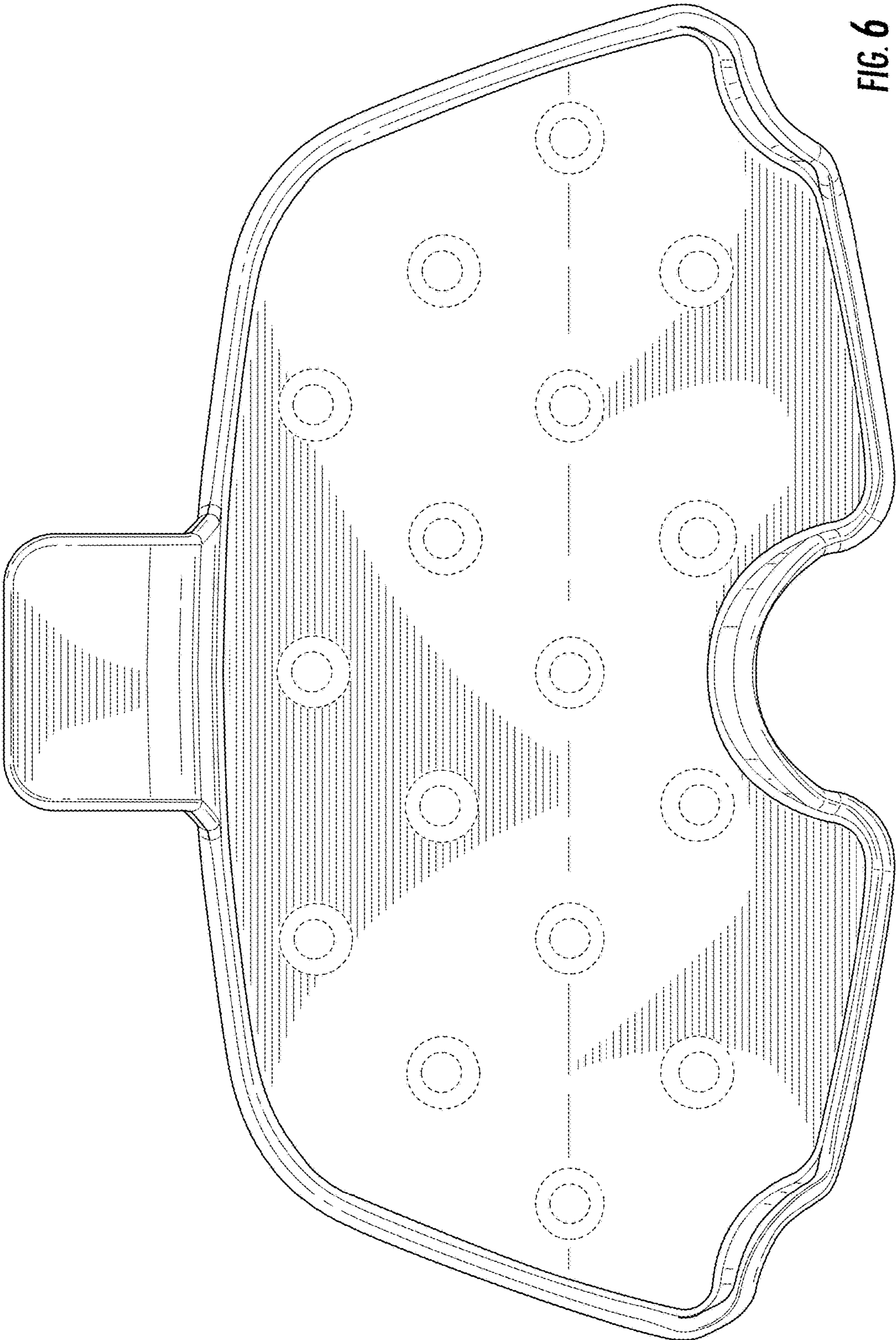


FIG. 6