



US00D793763S

(12) **United States Design Patent** (10) **Patent No.:** **US D793,763 S**  
**Kuo** (45) **Date of Patent:** **\*\* \*Aug. 8, 2017**

(54) **RACK**  
(71) Applicant: **Jerry Kuo-Yung Kuo**, Taichung (TW)  
(72) Inventor: **Jerry Kuo-Yung Kuo**, Taichung (TW)  
(\* ) Notice: This patent is subject to a terminal disclaimer.  
(\*\* ) Term: **15 Years**  
(21) Appl. No.: **29/569,525**  
(22) Filed: **Jun. 28, 2016**  
(51) **LOC (10) Cl.** ..... **06-04**  
(52) **U.S. Cl.**  
USPC ..... **D6/549**  
(58) **Field of Classification Search**  
USPC ..... D6/546-550, 512-525; D8/300, D8/315-321, 354, 363, 373, 380; 108/28-29; 211/13.1, 16, 85.5, 86.01, 211/87.01, 88.04, 100, 105.1, 105.2, 106, 211/113, 123, 181.1, 182-183; 248/49, 248/175, 176.1, 200, 201, 205.1, 251, 248/302, 309.1, 315; 242/570, 590, 242/595-598; D25/45  
CPC ..... A47K 10/3836; A47K 10/38  
See application file for complete search history.

(56) **References Cited**  
U.S. PATENT DOCUMENTS  
D206,050 S \* 10/1966 Anders ..... D6/549  
D254,461 S \* 3/1980 Tegner ..... D6/549  
D263,661 S \* 4/1982 Thompson ..... D6/549  
D266,122 S \* 9/1982 Haug ..... D8/316  
D334,315 S \* 3/1993 Bengtson ..... D23/304  
D362,362 S \* 9/1995 Moon ..... D6/549

5,860,538 A \* 1/1999 Duero ..... A47K 10/08 16/436  
D429,995 S \* 8/2000 Lewis ..... D8/354  
D466,741 S \* 12/2002 Moore ..... D6/549  
D486,020 S \* 2/2004 Hoernig ..... D6/549  
D516,350 S \* 3/2006 Chen ..... D6/549  
D523,272 S \* 6/2006 Ferrer Beltran ..... D6/546  
D550,489 S \* 9/2007 Williams ..... D6/523  
D551,056 S \* 9/2007 Ricereto ..... D8/317  
D554,403 S \* 11/2007 Xiao ..... D6/524  
D570,646 S \* 6/2008 Jeon ..... D7/402  
D572,109 S \* 7/2008 Busalt ..... D8/316  
D580,202 S \* 11/2008 Dolan ..... D6/549  
D588,172 S \* 3/2009 Yang ..... D15/89  
D612,677 S \* 3/2010 Jeon ..... D15/89  
D719,008 S \* 12/2014 Han ..... D8/315  
D729,035 S \* 5/2015 Zimmer ..... D8/316  
D736,055 S \* 8/2015 Funnell, II ..... D8/315  
D741,139 S \* 10/2015 Sheppard ..... D8/319  
D763,654 S \* 8/2016 Chung ..... D8/315  
D771,408 S \* 11/2016 Garland ..... D6/549

\* cited by examiner

Primary Examiner — David Muller  
Assistant Examiner — Nathan Johnston  
(74) Attorney, Agent, or Firm — LeClairRyan

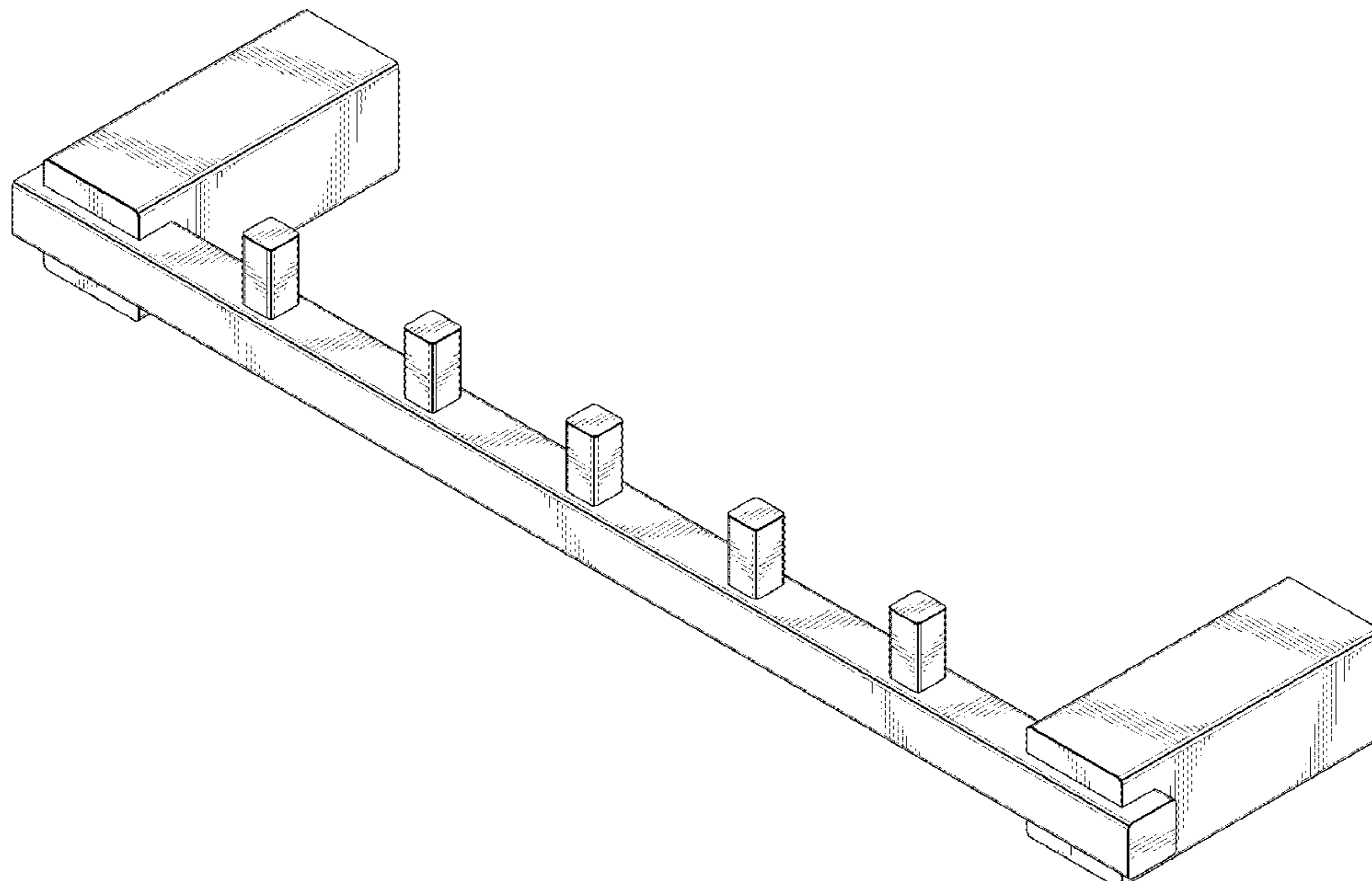
(57) **CLAIM**

The ornamental design for a rack, as shown and described.

**DESCRIPTION**

FIG. 1 is a perspective view of a rack showing my new design;  
FIG. 2 is a front elevational view thereof;  
FIG. 3 is a left side elevational view thereof;  
FIG. 4 is a right side elevational view thereof;  
FIG. 5 is a top plan view thereof; and,  
FIG. 6 is a bottom plan view thereof.

**1 Claim, 5 Drawing Sheets**



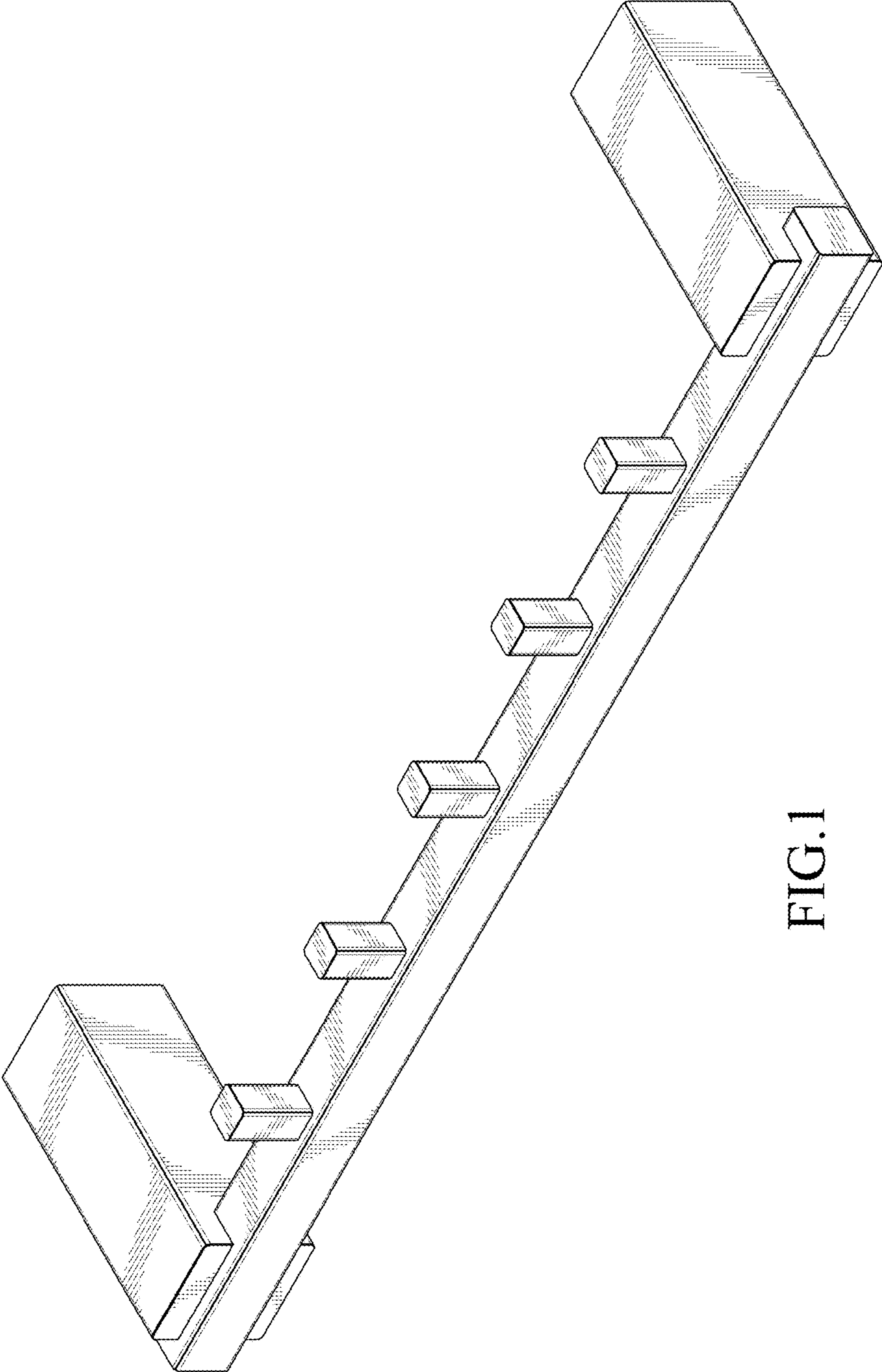


FIG.1

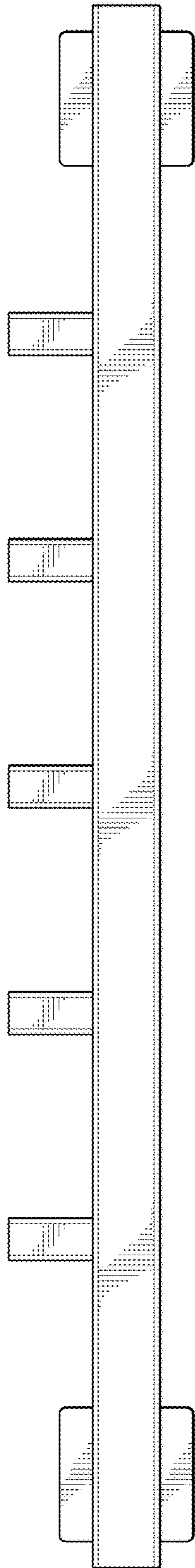


FIG.2

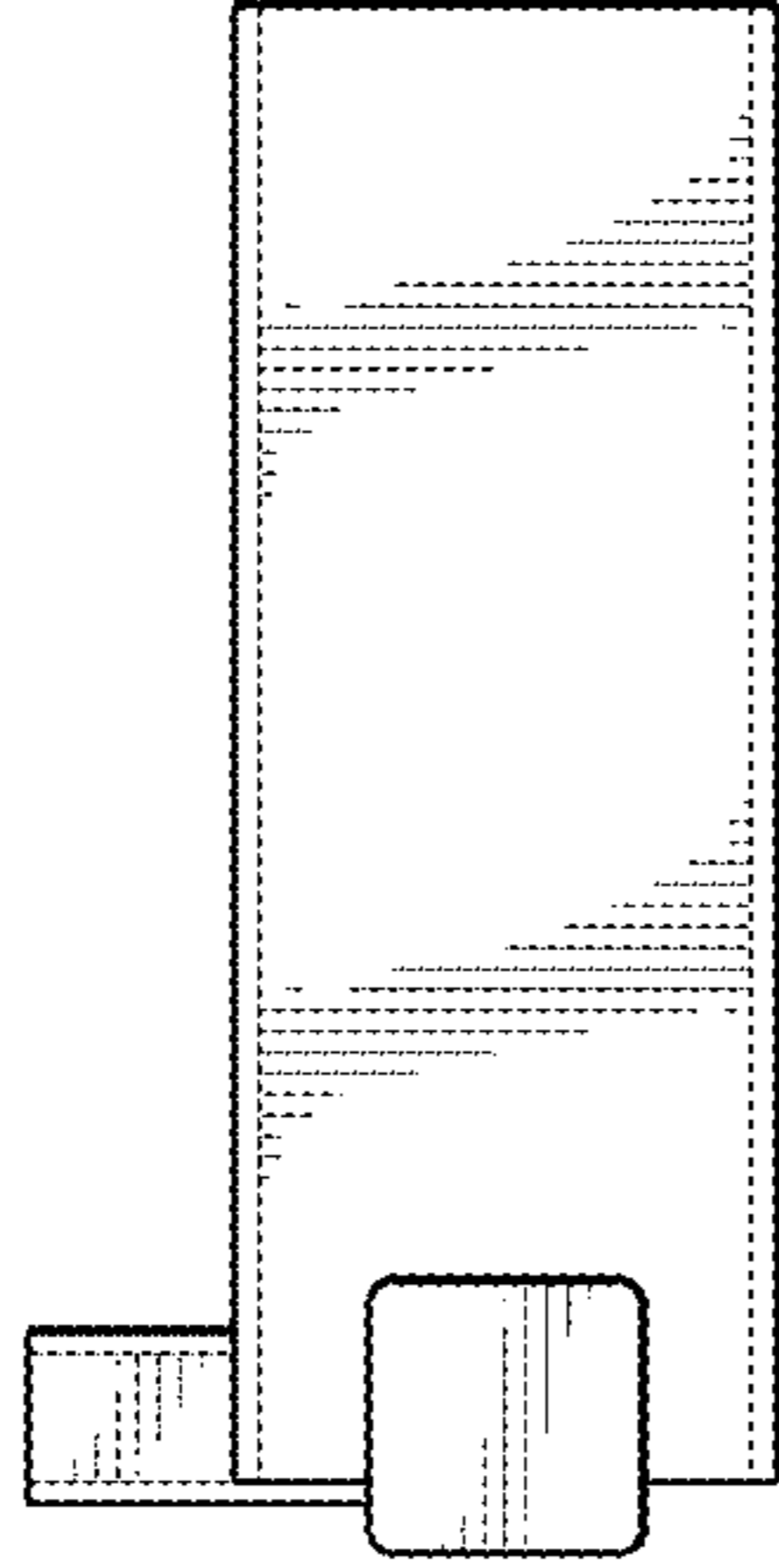


FIG.4

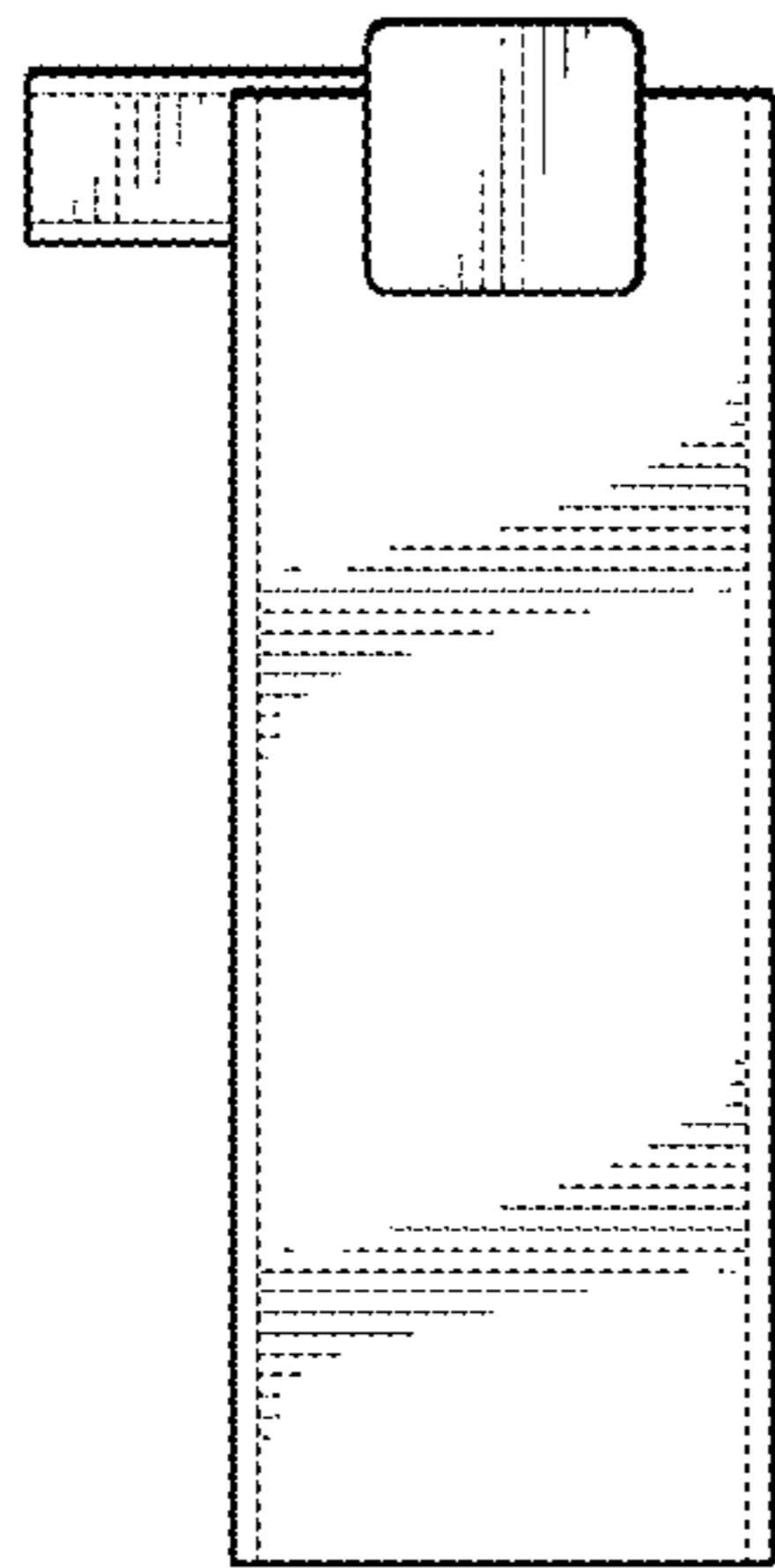


FIG.3

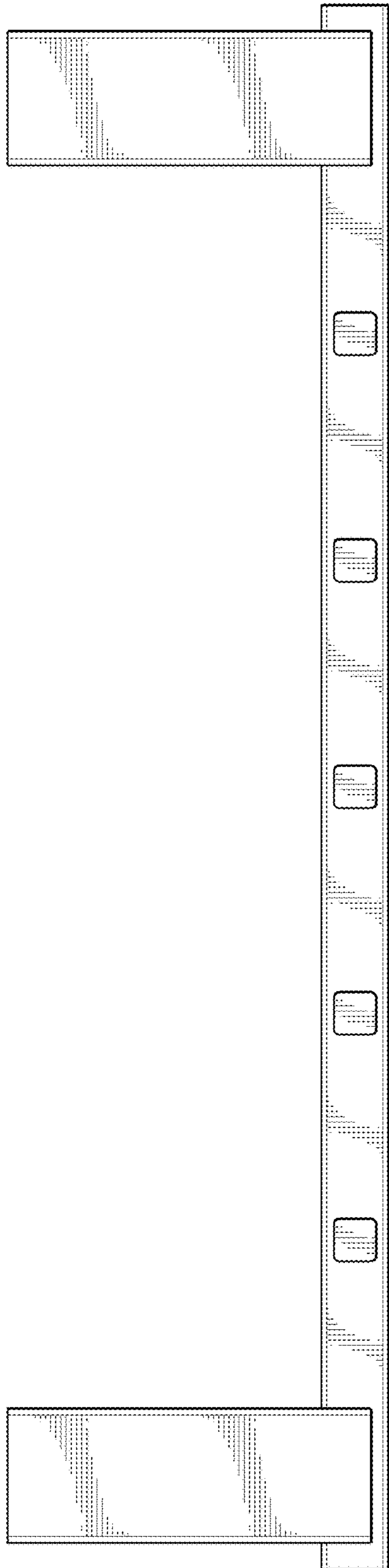


FIG. 5

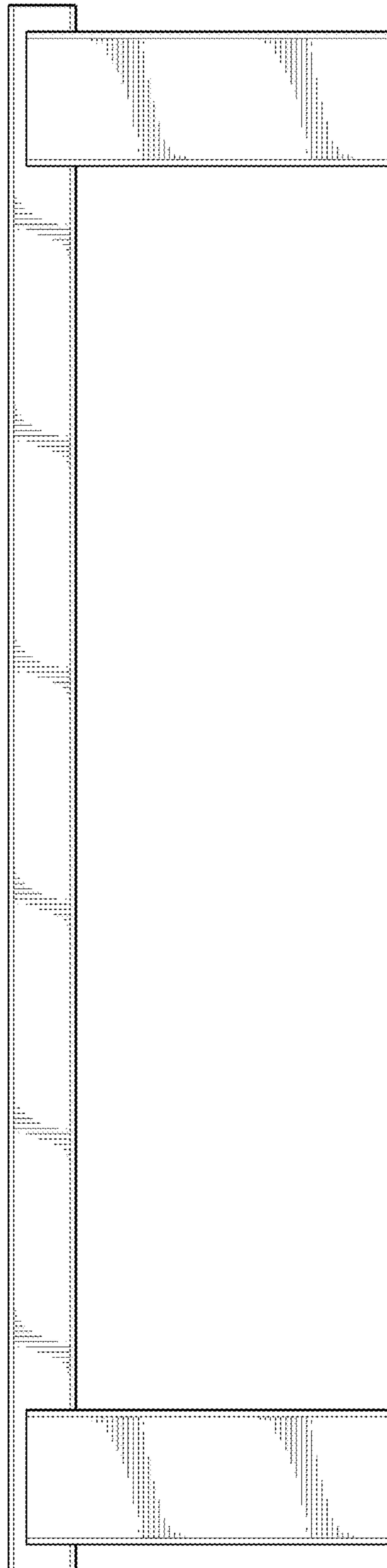


FIG.6