



US00D793759S

(12) **United States Design Patent** (10) **Patent No.:** **US D793,759 S**  
**Adair et al.** (45) **Date of Patent:** **\*\* Aug. 8, 2017**

(54) **SOFA**

(71) Applicant: **Ashley Furniture Industries, Inc.**,  
Arcadia, WI (US)

(72) Inventors: **Lisa Adair**, New Albany, MS (US);  
**Christie Lamb**, Saltillo, MS (US)

(73) Assignee: **ASHLEY FURNITURE INDUSTRIES, INC.**, Arcadia, WI (US)

(\*\*) Term: **15 Years**

(21) Appl. No.: **29/551,776**

(22) Filed: **Jan. 15, 2016**

(51) **LOC (10) Cl.** ..... **06-01**

(52) **U.S. Cl.**  
USPC ..... **D6/381**

(58) **Field of Classification Search**  
USPC ..... D6/334, 335, 336, 360, 361, 367, 368,  
D6/371-375, 379-381, 716, 716.1-716.8  
CPC ..... A47C 17/00; A47C 17/02; A47C 17/04;  
A47C 17/045; A47C 17/12; A47C 17/175  
See application file for complete search history.

(56) **References Cited**

U.S. PATENT DOCUMENTS

D360,998 S	*	8/1995	Lowman	.....	D6/381
D381,217 S	*	7/1997	Chandler	.....	D6/381
D383,619 S	*	9/1997	Culler	.....	D6/381
D384,215 S	*	9/1997	Chandler	.....	D6/381
D399,363 S	*	10/1998	Natuzzi	.....	D6/334

D447,883 S	*	9/2001	Meier	.....	D6/334
D449,463 S	*	10/2001	Schweiger	.....	D6/381
D470,326 S	*	2/2003	Ricci	.....	D6/381
D483,196 S	*	12/2003	Ricci	.....	D6/334
D504,031 S	*	4/2005	Ricci	.....	D6/334
D509,674 S	*	9/2005	Ricci	.....	D6/381
D511,424 S	*	11/2005	Ricci	.....	D6/381
D528,321 S	*	9/2006	Adair	.....	D6/381
D532,987 S	*	12/2006	Christa	.....	D6/381
D562,023 S	*	2/2008	Lamb	.....	D6/381
D564,776 S	*	3/2008	Adair	.....	D6/381
D737,592 S	*	9/2015	Adair	.....	D6/381
D737,593 S	*	9/2015	Adair	.....	D6/381

\* cited by examiner

*Primary Examiner* — Deanna L Pratt

(74) *Attorney, Agent, or Firm* — McAndrews, Held & Malloy, Ltd.

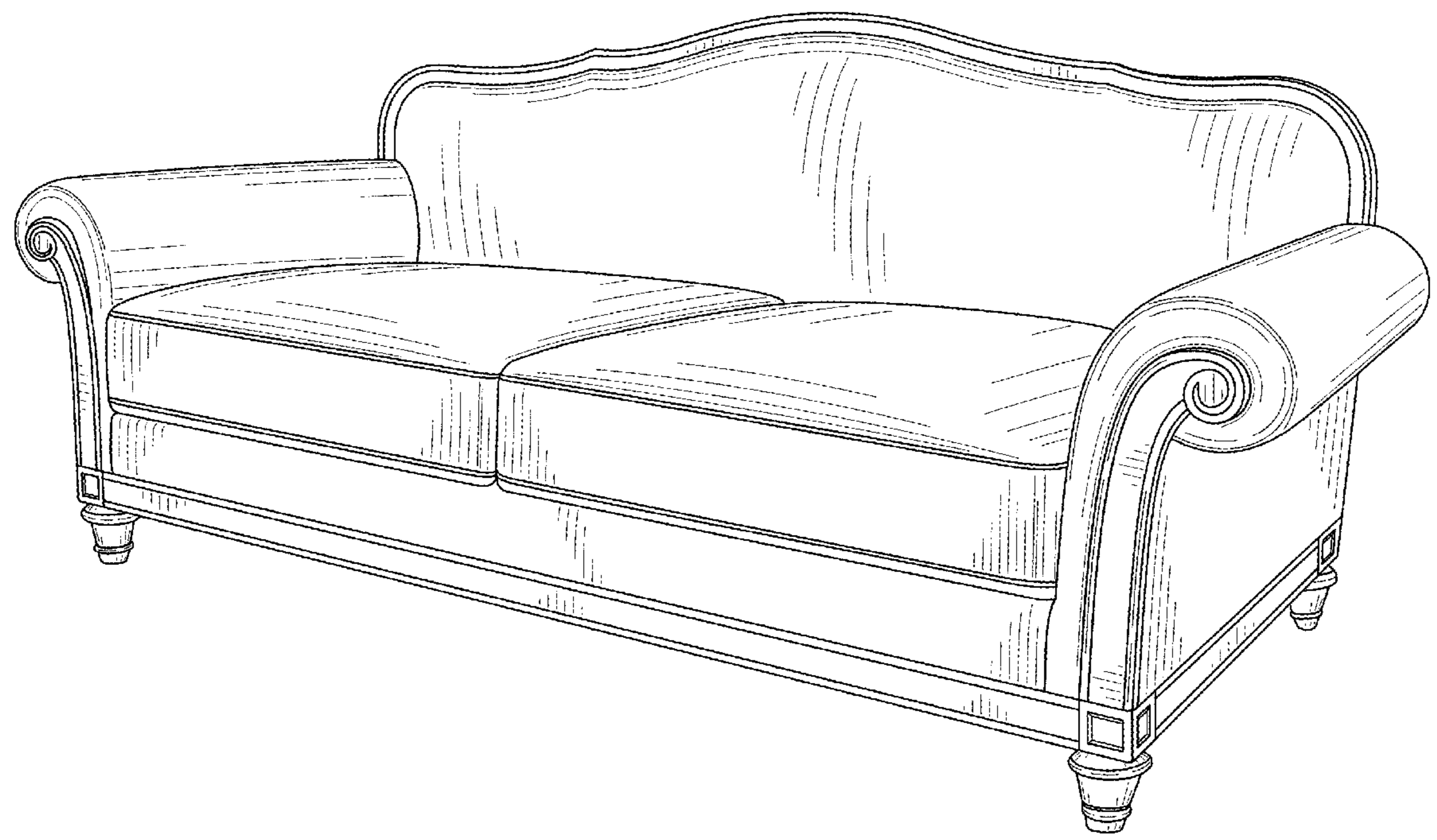
(57) **CLAIM**

The ornamental design for a sofa, as shown and described.

**DESCRIPTION**

FIG. 1 is a front perspective view of a sofa showing our new design;  
 FIG. 2 is a front elevation view thereof;  
 FIG. 3 is a left side elevation view thereof; the right side elevation view being a mirror image thereof; and,  
 FIG. 4 is a top plan view thereof.  
 Views of the sofa not shown in the figures form no part of the claimed design.

**1 Claim, 4 Drawing Sheets**



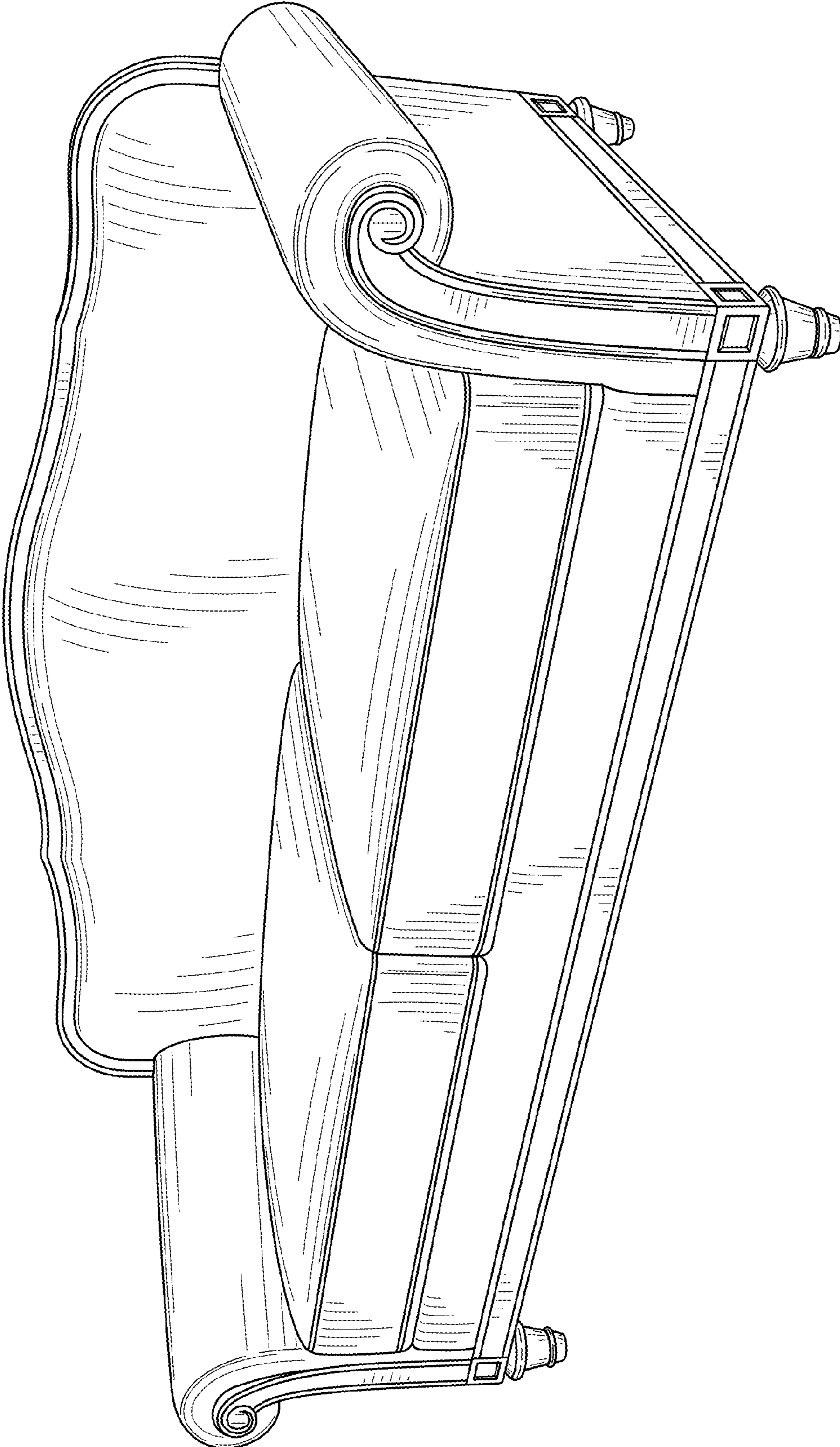


FIG. 1

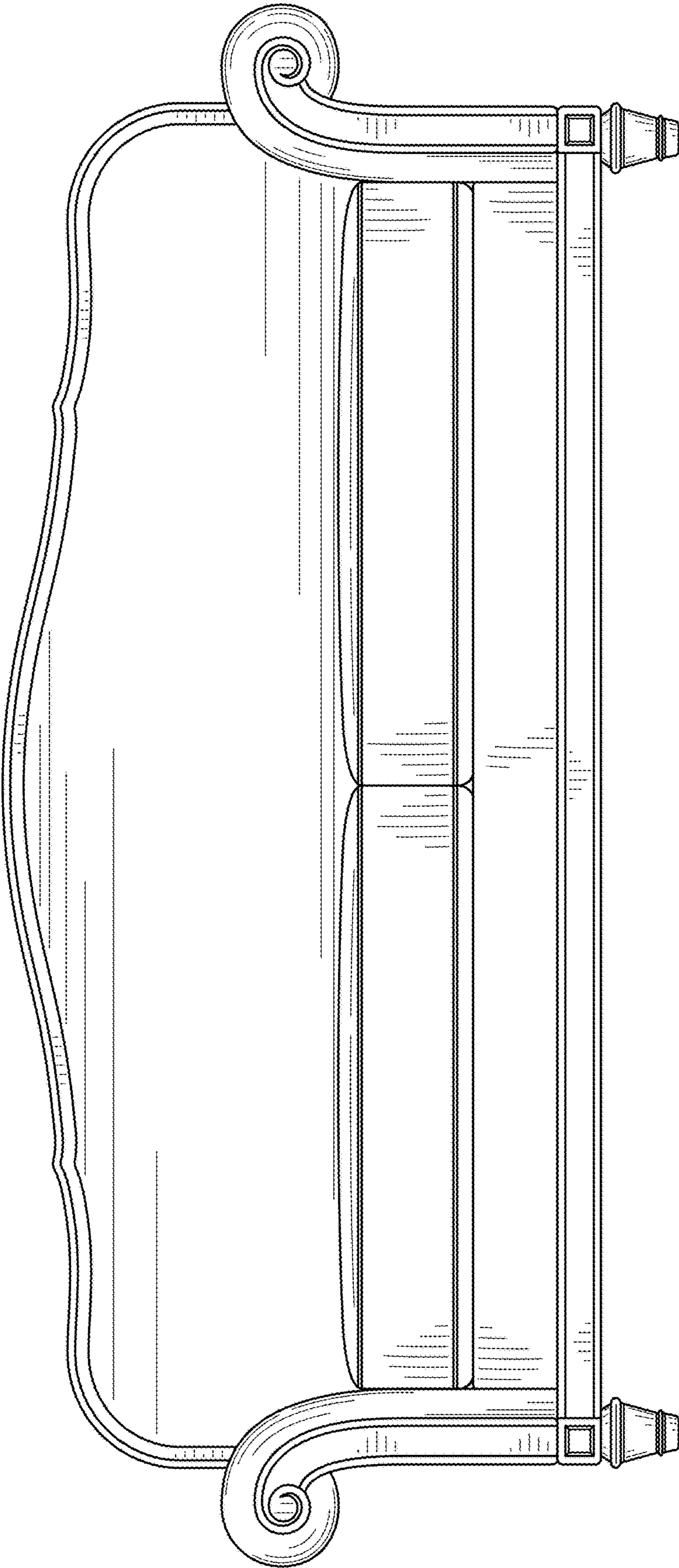


FIG. 2



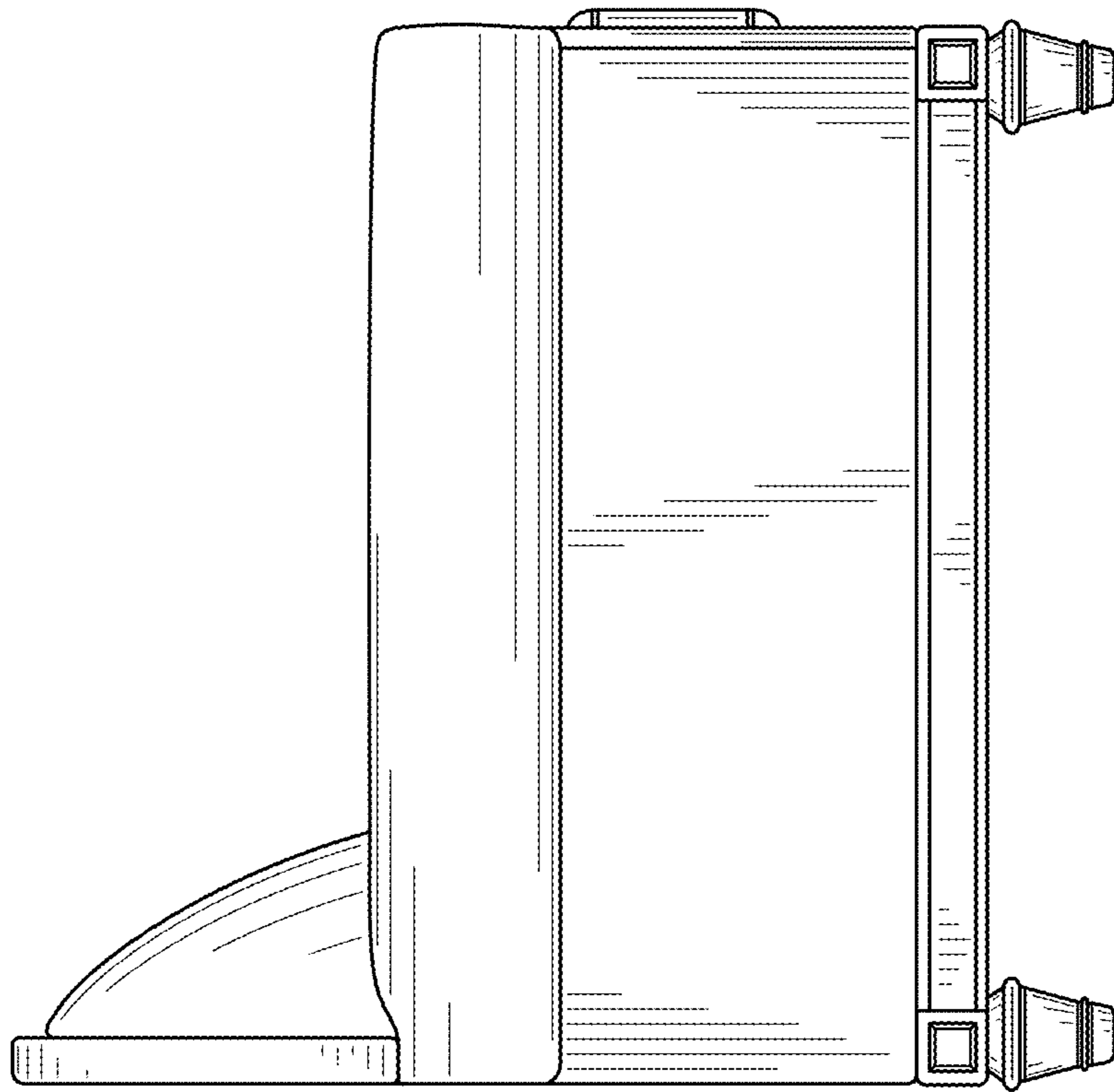


FIG. 3

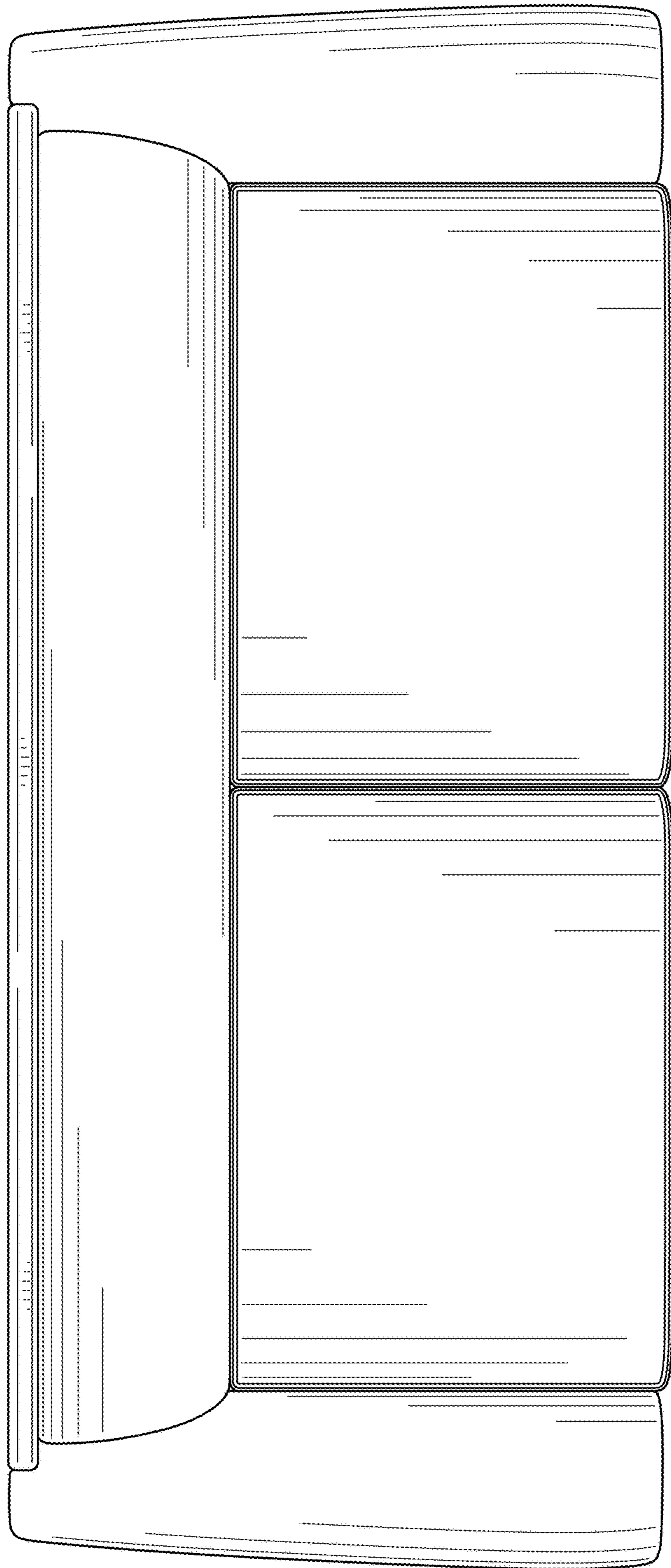


FIG. 4