

US00D793755S

(12) **United States Design Patent** (10) **Patent No.:** **US D793,755 S**
Xingchang (45) **Date of Patent:** **** Aug. 8, 2017**

(54) **COMBINATION CHAIR WITH DESK**

(71) Applicant: **Yang Xingchang**, Foshan (CN)

(72) Inventor: **Yang Xingchang**, Foshan (CN)

(**) Term: **15 Years**

(21) Appl. No.: **29/543,388**

(22) Filed: **Oct. 23, 2015**

(51) **LOC (10) Cl.** **06-01**

(52) **U.S. Cl.**

USPC **D6/338**

(58) **Field of Classification Search**

USPC D6/335, 336, 338, 341, 360, 363, 364,
D6/365, 366, 367, 368, 374, 375, 376,
D6/377; 297/115, 116, 135, 160, 161,
297/162, 170, 188.21, 445.1, 448.1,
297/448.2, 449.1, 452.22, 121, 126,
297/220.21

CPC A47B 39/00; A47B 83/02; A47C 7/004;
A47C 7/70

See application file for complete search history.

(56) **References Cited**

U.S. PATENT DOCUMENTS

5,169,210	A *	12/1992	Fricano	A47C 7/70 248/282.1
D332,703	S *	1/1993	Gulliver	D6/335
6,669,282	B2 *	12/2003	Piretti	A47C 7/70 297/162
D636,612	S *	4/2011	Overthun	D6/338
D646,085	S *	10/2011	Overthun	D6/375
D650,185	S *	12/2011	Hsu	D6/349
D689,723	S *	9/2013	Corcorran	D6/708.23
D694,054	S *	11/2013	Blomstrom	D6/716
D697,725	S *	1/2014	Wu	D6/338
D729,530	S *	5/2015	Robins	D6/338
D729,561	S *	5/2015	Robins	D6/708
2007/0284920	A1 *	12/2007	Mehaffey	A47C 3/045 297/162
2011/0187164	A1 *	8/2011	Corcorran	A47B 39/00 297/170

OTHER PUBLICATIONS

“EduSkate Mobile Training Tablet Arm Chair”. Found online Sep. 27, 2016 at www.hertzfurniture.com. Page dated Feb. 2, 2015. Retrieved from <URL:http://web.archive.org/web/20150202044617/http://www.hertzfurniture.com/Student-Chair-Desks--EduSkate-Mobile-Training-Tablet-Arm-Chair--12008--mo.html>.*

“National Essay Mobile Student Chair with Tablet Arm”. Found online Sep. 27, 2016 at www.kay-twelve.com. Page dated Mar. 3, 2015. Retrieved from <URL:http://web.archive.org/web/20150303183710/http://www.kay-twelve.com/national-essay-mobile-student-chair-with-tablet-arm.html>.*

“Haskell Ethos”. Found online Sep. 27, 2016 at www.geiendorsed.com. Page dated Jun. 2015. Retrieved from <URL:http://geiendorsed.com/products/haskell-ethos/>.*

“Node, Tripod Base”. Found online Sep. 27, 2015 at www.steelcase.com. Page dated Mar. 3, 2015. Retrieved from <URL:http://store.steelcase.com/seating/guest-chairs/node>.*

* cited by examiner

Primary Examiner — Caron D Veynar

Assistant Examiner — Katelin G Kloberg

(74) *Attorney, Agent, or Firm* — Omid E. Khalifeh; Omni Legal Group

(57) **CLAIM**

The ornamental design for a combination chair with desk, as shown and described.

DESCRIPTION

FIG. 1 is a top-right perspective view of a combination chair with desk;

FIG. 2 is a front elevational view thereof;

FIG. 3 is a rear elevational view thereof;

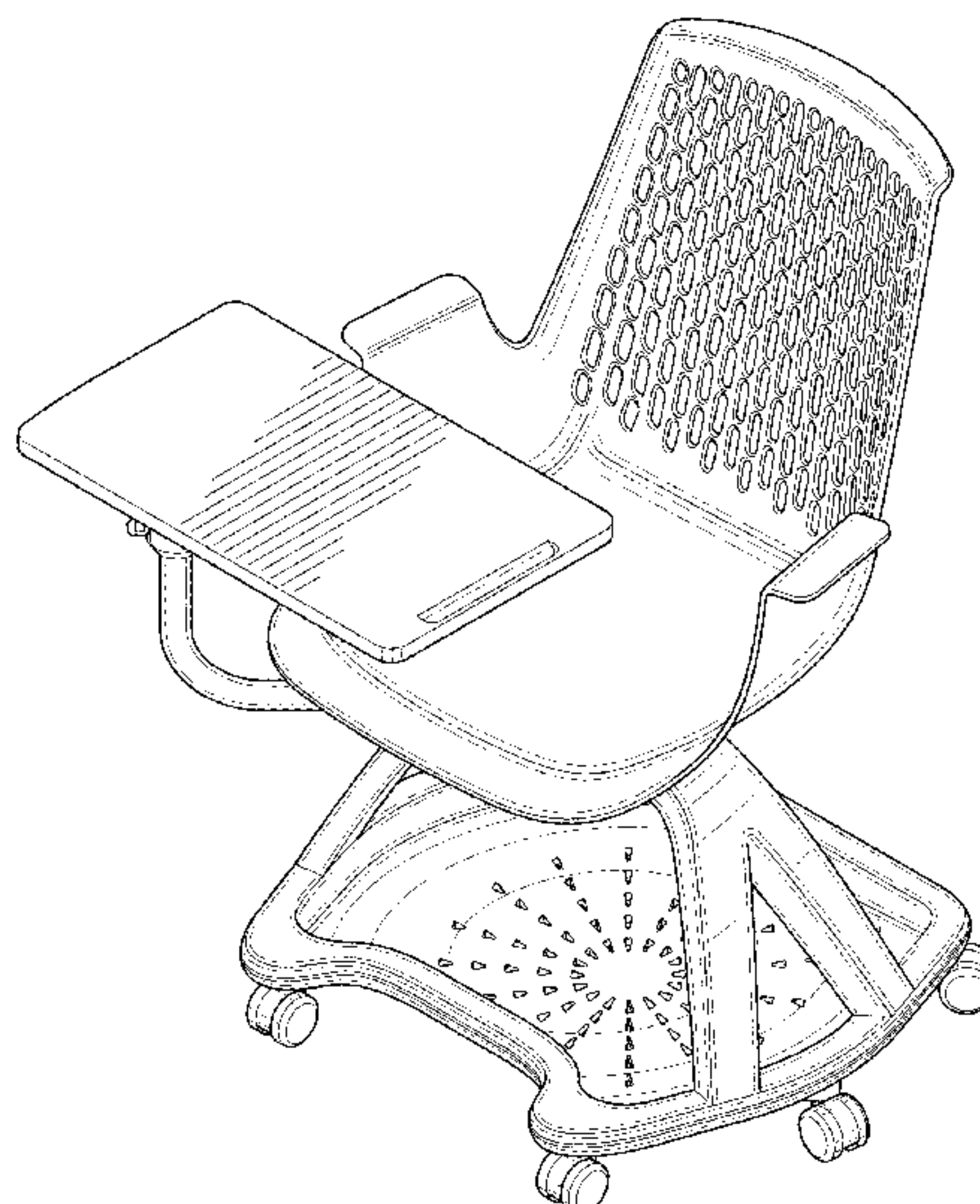
FIG. 4 is a right side elevational view thereof;

FIG. 5 is a left side elevational view thereof;

FIG. 6 is a top plan view thereof; and,

FIG. 7 is a bottom plan view thereof.

1 Claim, 7 Drawing Sheets



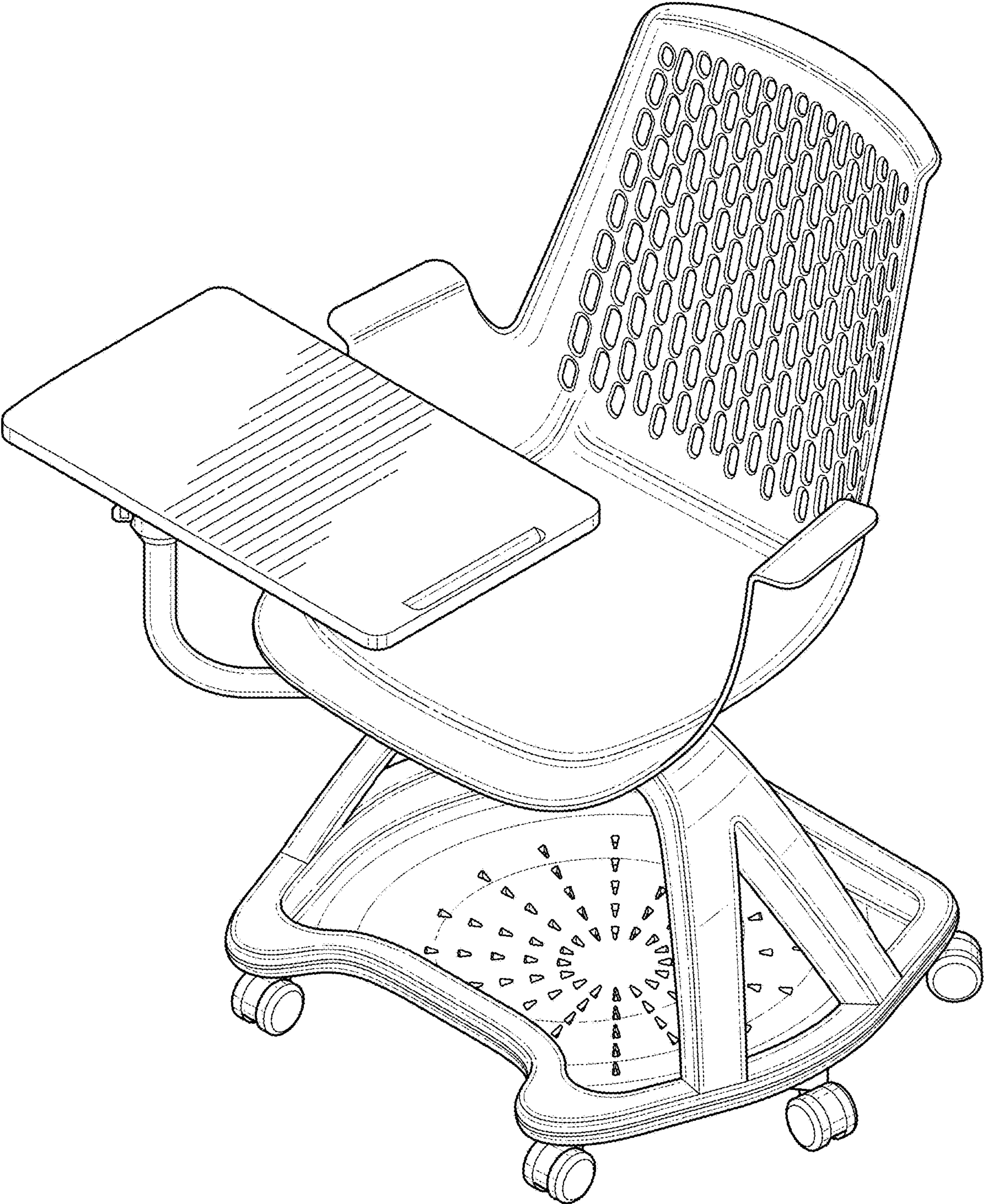


FIG. 1

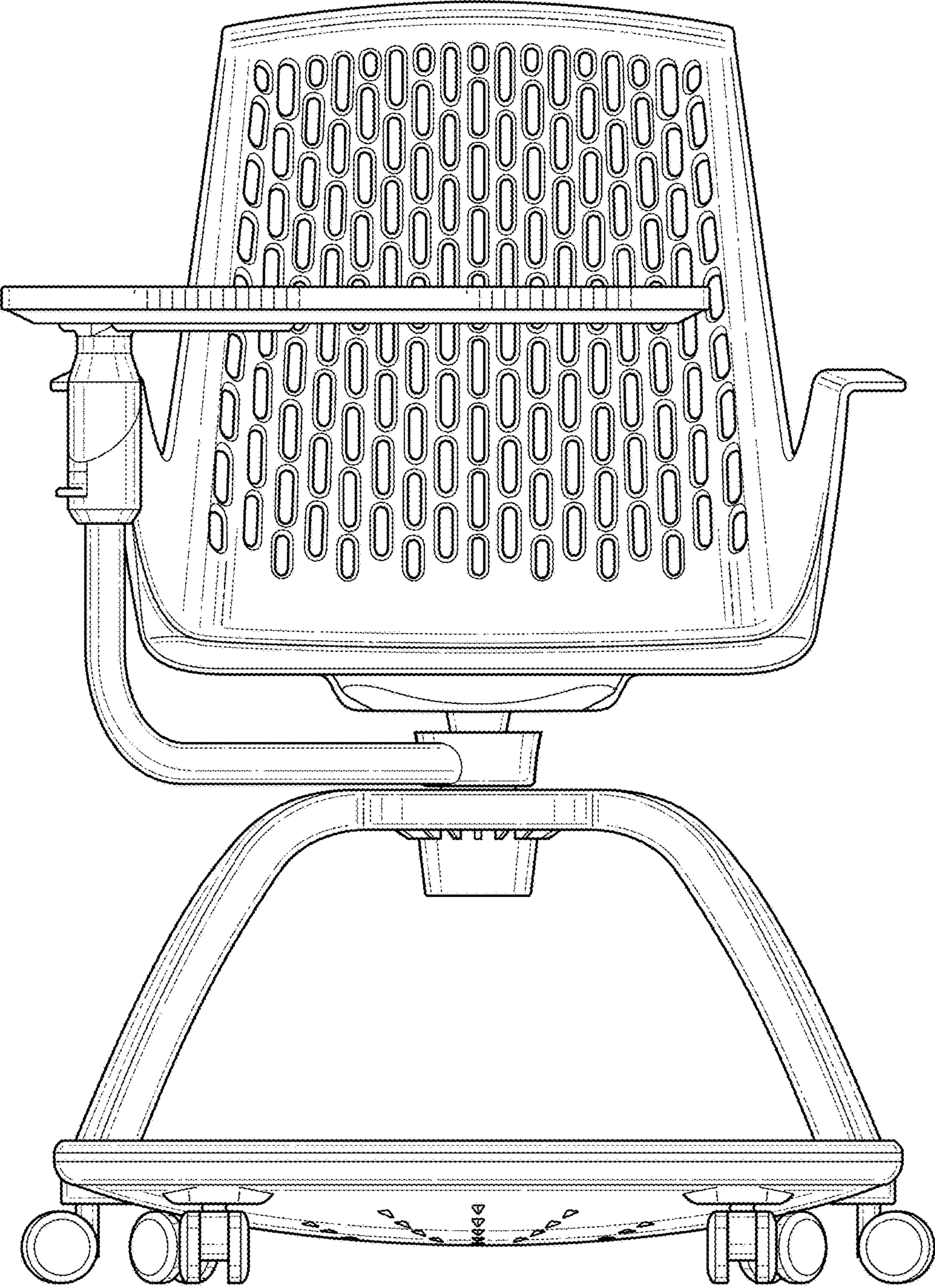


FIG. 2

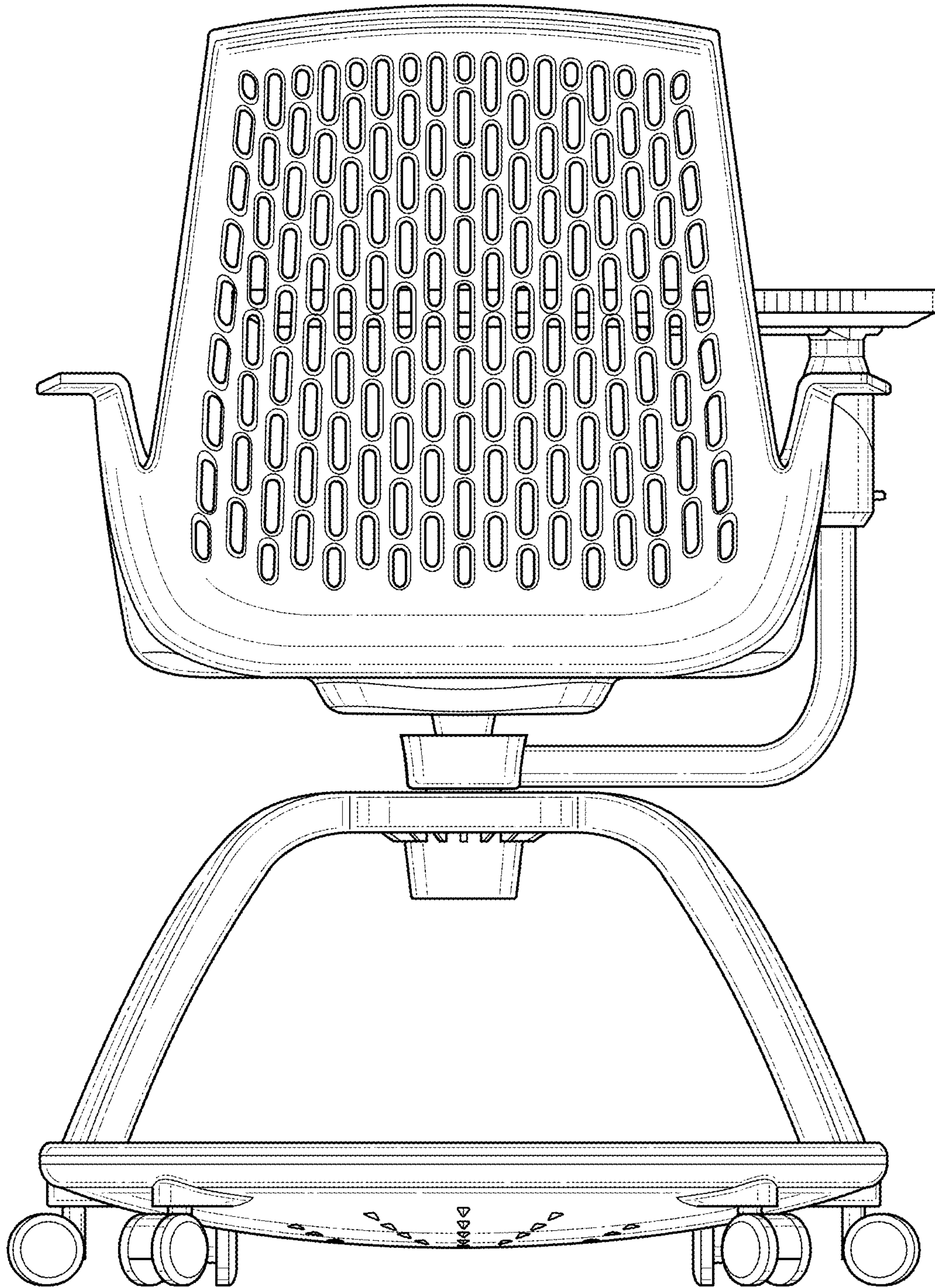


FIG. 3

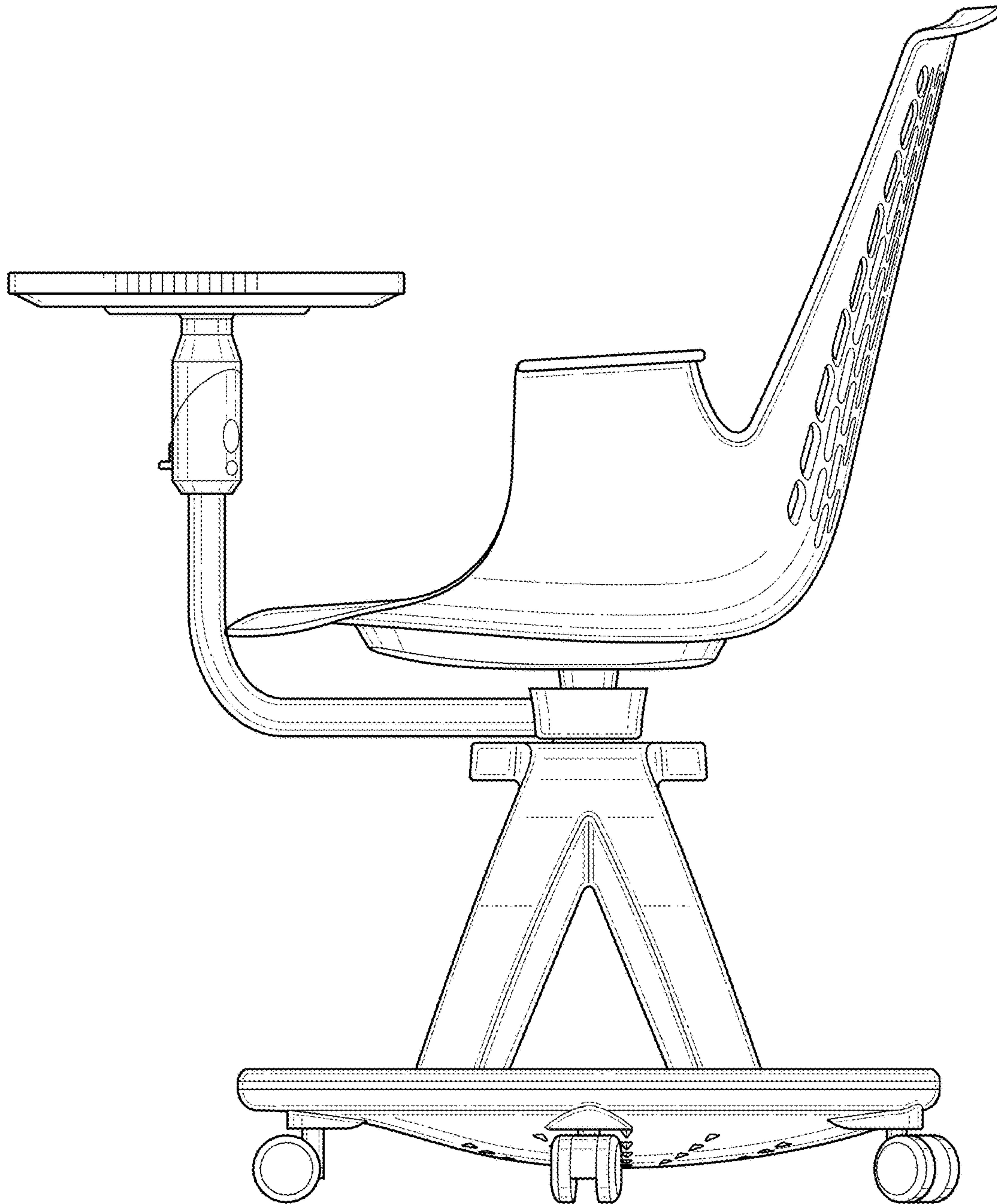


FIG. 4

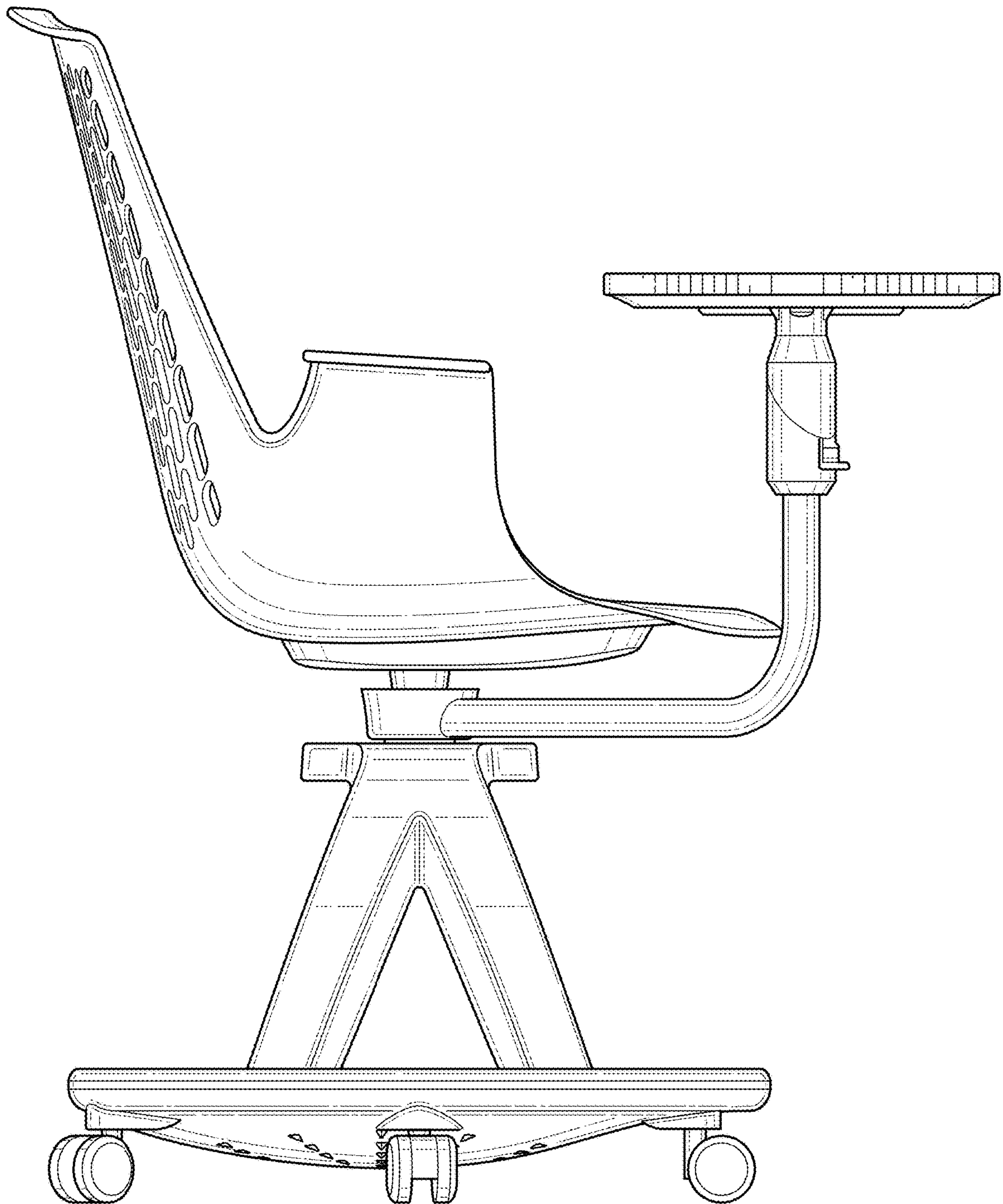


FIG. 5

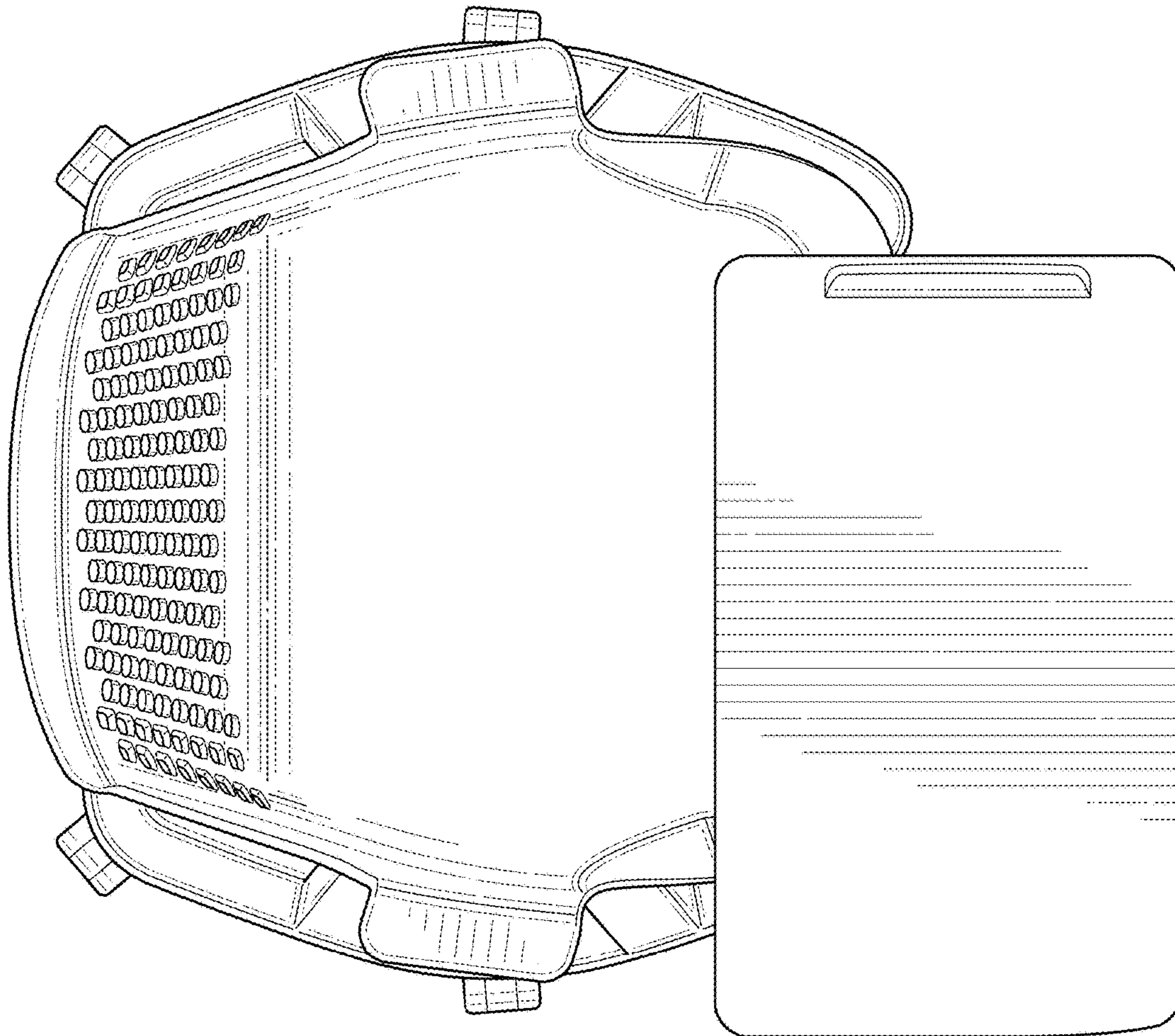


FIG. 6

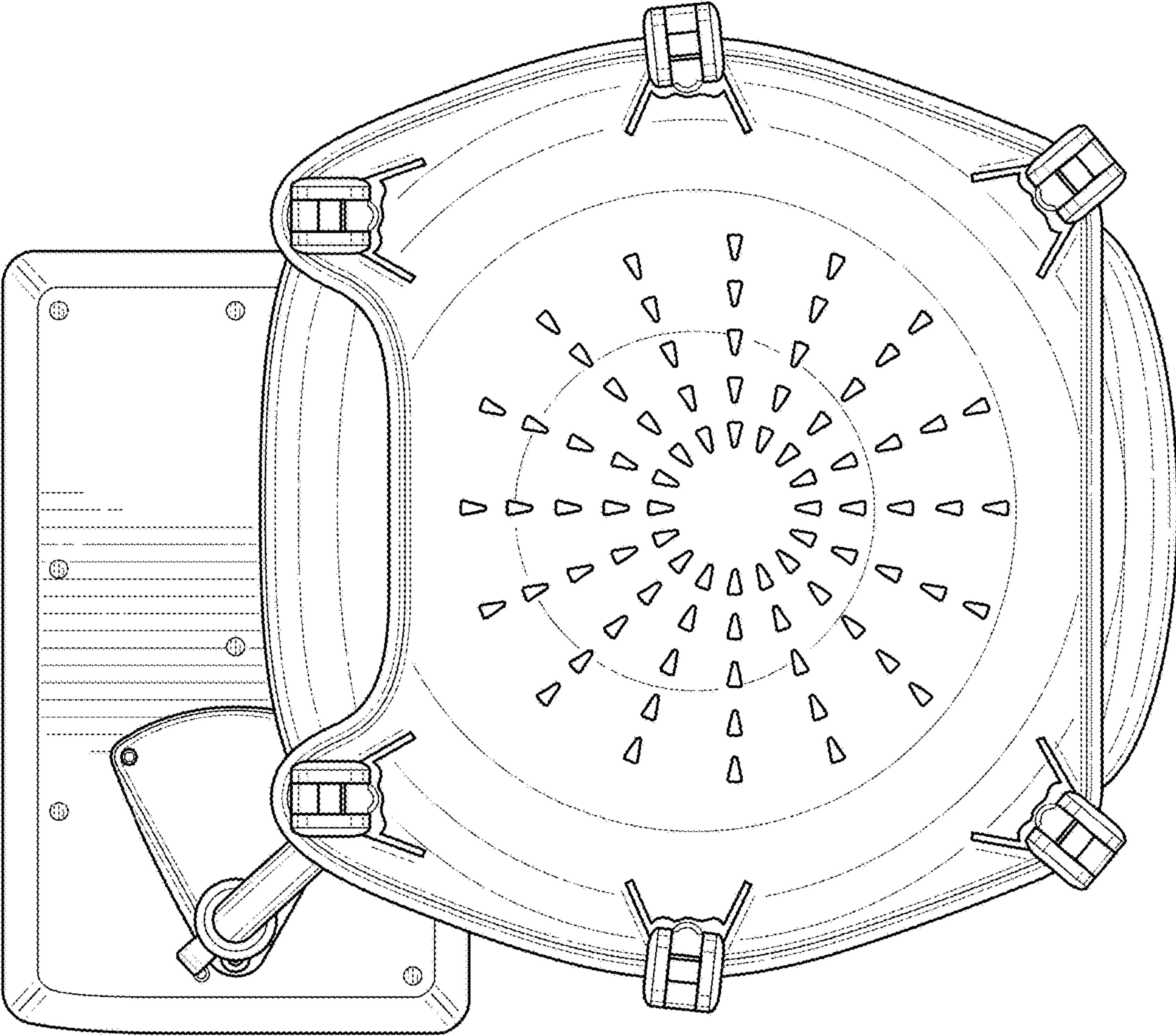


FIG. 7