



US00D793747S

(12) **United States Design Patent** (10) **Patent No.:** **US D793,747 S**  
**Taylor** (45) **Date of Patent:** **\*\* Aug. 8, 2017**

(54) **CLOTHES HANGER**  
(71) Applicant: **The Janger Limited**, London (GB)  
(72) Inventor: **Guy Taylor**, London (GB)  
(73) Assignee: **The Janger Limited**, London (GB)  
(\*\*) Term: **15 Years**  
(21) Appl. No.: **29/575,308**  
(22) Filed: **Aug. 24, 2016**

**Related U.S. Application Data**

(62) Division of application No. 29/517,202, filed on Feb. 11, 2015, now Pat. No. Des. 767,289.

**Foreign Application Priority Data**

Aug. 11, 2014 (EM) ..... 002517748-0001  
Aug. 11, 2014 (EM) ..... 002517748-0002  
Aug. 11, 2014 (EM) ..... 002518043-0001  
Aug. 13, 2014 (EM) ..... 002519330-0001

(51) **LOC (10) Cl.** ..... **06-08**

(52) **U.S. Cl.**  
USPC ..... **D6/323**

(58) **Field of Classification Search**

USPC ..... D6/315-328; 223/85-98; 211/1, 10,  
211/13.1, 85.3, 87.01, 113; 248/322, 339,  
248/340, 692; D8/367  
CPC ..... A47G 25/32; A47G 25/28; A47G 25/442;  
A47G 25/20; A47G 25/24; A47G  
25/1421; A47G 25/1428; A47G 25/06;  
A47G 25/52; A47G 25/38; A47G 25/50;  
A47G 25/183; A47G 25/70; A47G  
25/0607; A47G 2025/448; A47G 25/1414;  
A47G 25/0678; A47G 25/44; A47F 7/19;  
A47F 5/01; A47F 5/13

See application file for complete search history.

(56) **References Cited**

U.S. PATENT DOCUMENTS

D26,791 S 3/1897 Hirsh  
1,480,829 A \* 1/1924 Moran ..... A47G 25/0607  
211/31  
2,954,621 A 10/1960 Mosher  
D194,177 S 12/1962 Swett  
3,212,647 A 10/1965 Meyer  
3,710,996 A 1/1973 Smilow  
D229,810 S 1/1974 Searington  
4,805,782 A 2/1989 Hale  
5,005,741 A 4/1991 Kolton  
D331,425 S 12/1992 Rhyne  
5,222,638 A 6/1993 Kolton  
D349,864 S 8/1994 Dunlap  
D366,366 S 1/1996 Restaino  
5,505,351 A 4/1996 Najarian  
5,626,268 A 5/1997 Kolton  
D382,431 S 8/1997 Parra  
5,799,843 A 9/1998 Hsu

(Continued)

*Primary Examiner* — Derrick Holland

*Assistant Examiner* — Lauren Calve

(74) *Attorney, Agent, or Firm* — Renner, Otto, Boisselle  
& Sklar, LLP

(57) **CLAIM**

The ornamental design for a clothes hanger, as shown and described.

**DESCRIPTION**

FIG. 1 is a front perspective view of a clothes hanger showing my design.

FIG. 2 is a left side view thereof.

FIG. 3 is a front view thereof.

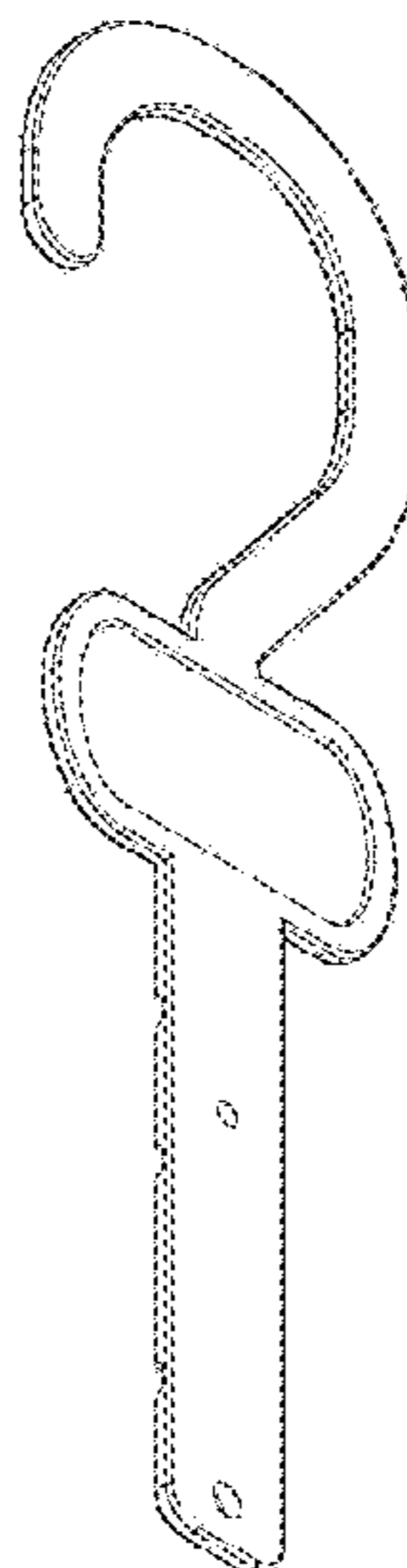
FIG. 4 is a right side view thereof.

FIG. 5 is a rear view thereof.

FIG. 6 is a top view thereof; and,

FIG. 7 is a bottom view thereof.

**1 Claim, 3 Drawing Sheets**



(56)

**References Cited**

U.S. PATENT DOCUMENTS

6,299,039	B1	10/2001	Hsu	
6,497,347	B1	12/2002	Feibelman	
D511,087	S	11/2005	Okamoto	
D534,361	S	1/2007	Wolf	
8,651,344	B2	2/2014	Norman	
D718,962	S	12/2014	Brett	
D735,027	S	7/2015	Fildan	
9,402,487	B2 *	8/2016	Jensen	..... A47G 25/743
D767,289	S *	9/2016	Taylor	..... D6/323
9,480,347	B2 *	11/2016	Strassburger	..... A47F 5/0006
D774,317	S *	12/2016	Taylor	..... D6/323
2002/0104858	A1	8/2002	Woodworth	
2004/0217249	A1	11/2004	Eisenbraun	
2008/0110943	A1	5/2008	Kolton	
2013/0015215	A1	1/2013	Coote	
2014/0097213	A1	4/2014	Jensen	

\* cited by examiner

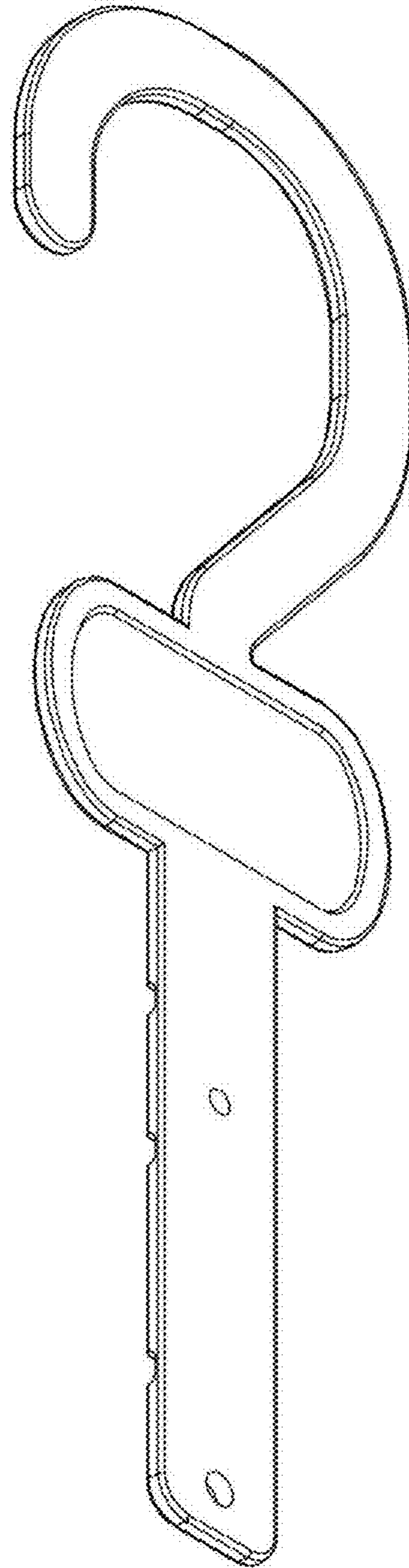


FIG. 1

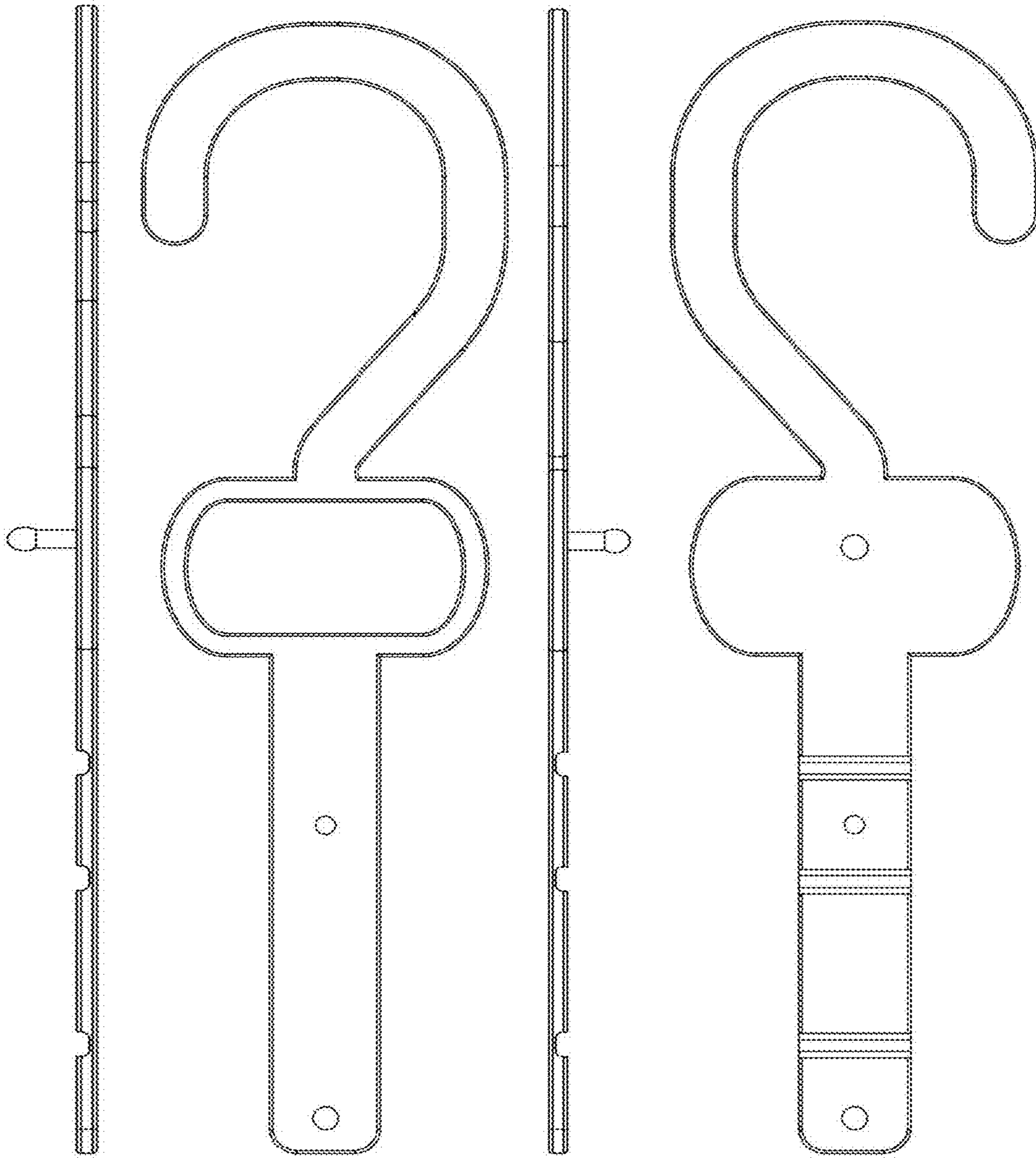


FIG. 2

FIG. 3

FIG. 4

FIG. 5

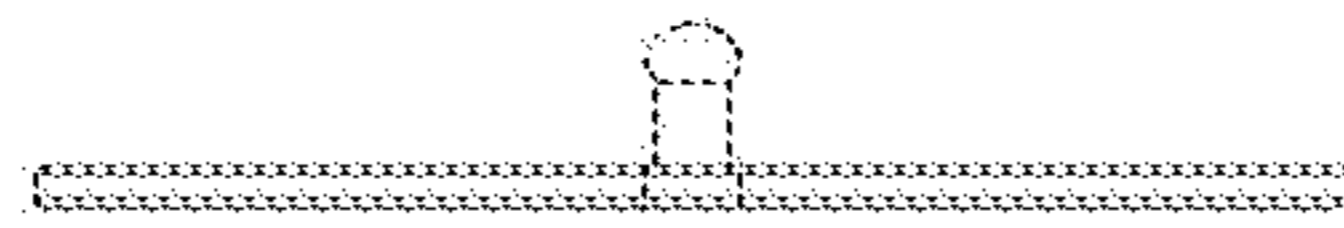


FIG. 6

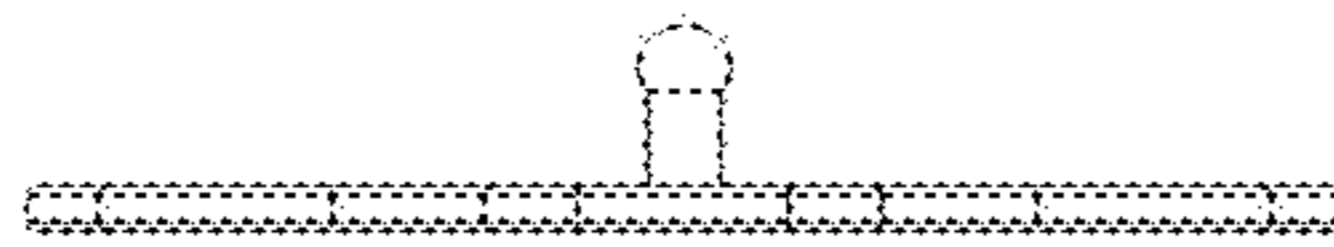


FIG. 7