



US00D793742S

(12) **United States Design Patent** (10) **Patent No.:** **US D793,742 S**
Lovern (45) **Date of Patent:** **** Aug. 8, 2017**

(54) **NAVY UNIFORM FRAME**
(71) Applicant: **Charles Lovern**, Lilburn, GA (US)
(72) Inventor: **Charles Lovern**, Lilburn, GA (US)
(**) Term: **15 Years**
(21) Appl. No.: **29/565,535**
(22) Filed: **May 20, 2016**
(51) **LOC (10) Cl.** **06-04**
(52) **U.S. Cl.**
USPC **D6/303**
(58) **Field of Classification Search**
USPC D6/300-313; D19/28; D14/126
CPC ... B42D 1/08; B42D 3/04; B42D 3/08; B42D
3/12; B24D 89/00
See application file for complete search history.

D701,702 S * 4/2014 Lovern D6/303
D731,188 S * 6/2015 Lovern D6/303
2010/0264639 A1* 10/2010 Lovern B42D 1/08
281/34

* cited by examiner

Primary Examiner — Deanna L Pratt
(74) *Attorney, Agent, or Firm* — Maristyn Law LLC;
Lynda F. Kouroupis

(57) **CLAIM**

The ornamental design for a navy uniform frame, as shown and described.

DESCRIPTION

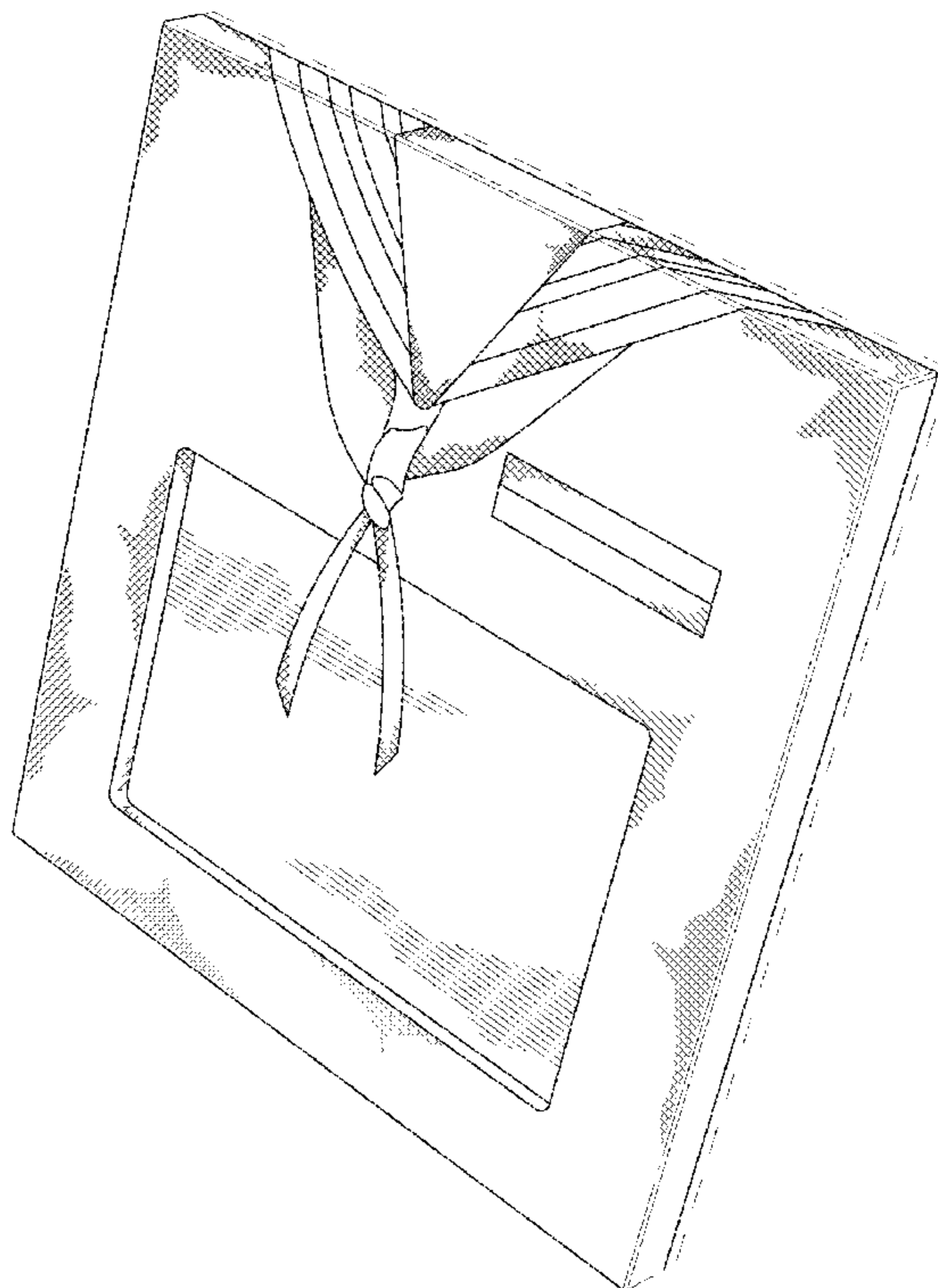
FIG. 1 is a front perspective view of my ornamental design for a navy uniform frame.
FIG. 2 is a front elevation view of the navy uniform frame of FIG. 1.
FIG. 3 is a left side elevation view of the navy uniform frame of FIG. 1.
FIG. 4 is a right side elevation view of the navy uniform frame of FIG. 1.
FIG. 5 is a top plan view of the navy uniform frame of FIG. 1; and,
FIG. 6 is a bottom plan view of the navy uniform frame of FIG. 1.
The broken lines shown in the drawings are directed to portions shown for environmental purposes that form no part of the claimed design.

(56) **References Cited**

U.S. PATENT DOCUMENTS

D295,389 S * 4/1988 Maddox D11/133
D525,607 S * 7/2006 Chia D14/126
D530,367 S * 10/2006 Payne D19/28
D558,161 S * 12/2007 Chu D14/126
D629,460 S * 12/2010 Lovern D19/26
D650,592 S * 12/2011 Chiu D14/371
D655,517 S * 3/2012 Chiu D6/308
D688,048 S * 8/2013 Lovern D6/303
D694,323 S * 11/2013 Lovern D19/28
D695,824 S * 12/2013 Lovern D19/28
D697,133 S * 1/2014 Lovern D19/28
D697,552 S * 1/2014 Lovern D19/28
D699,286 S * 2/2014 Lovern D19/28

1 Claim, 4 Drawing Sheets



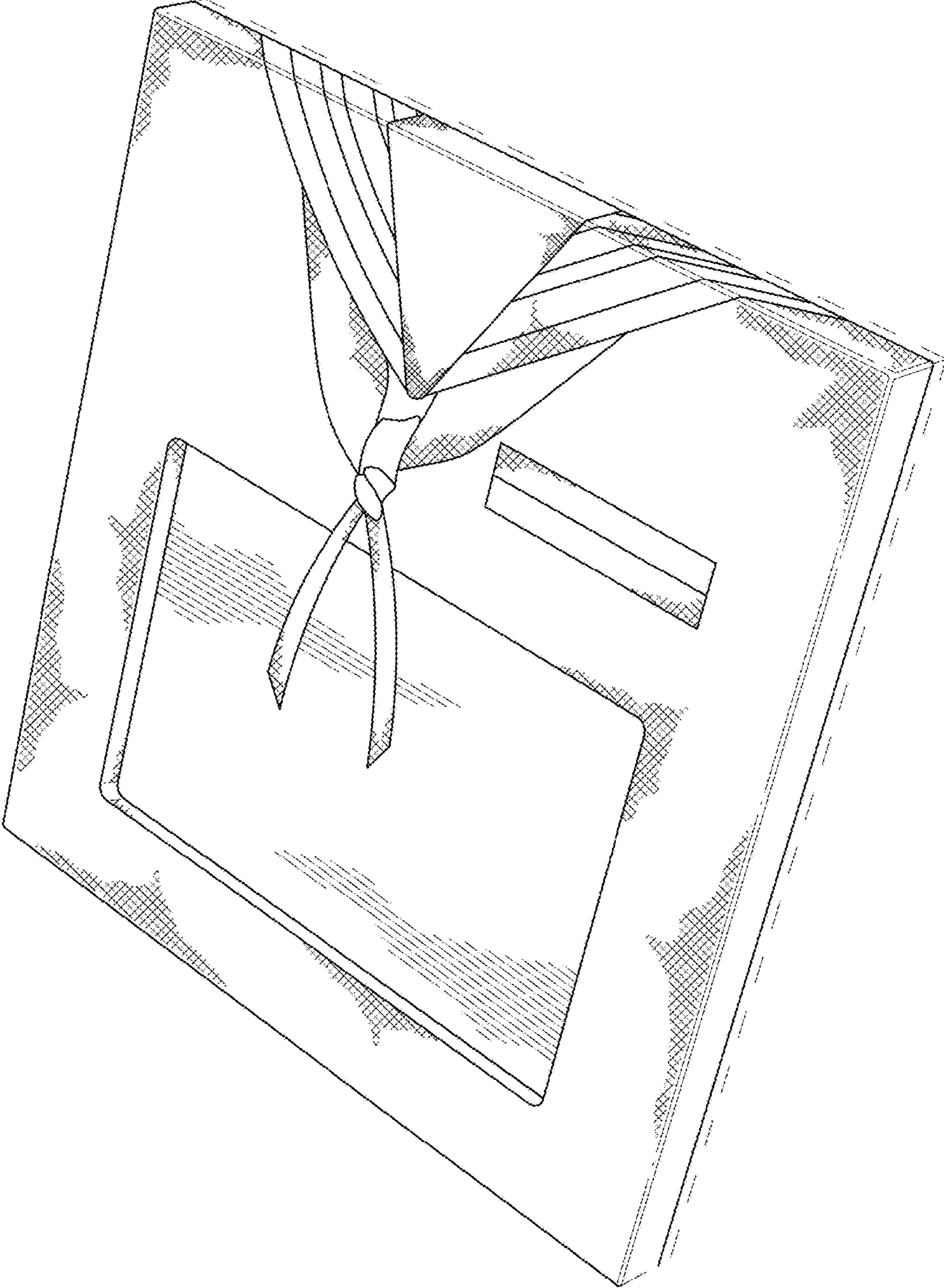


FIG. 1

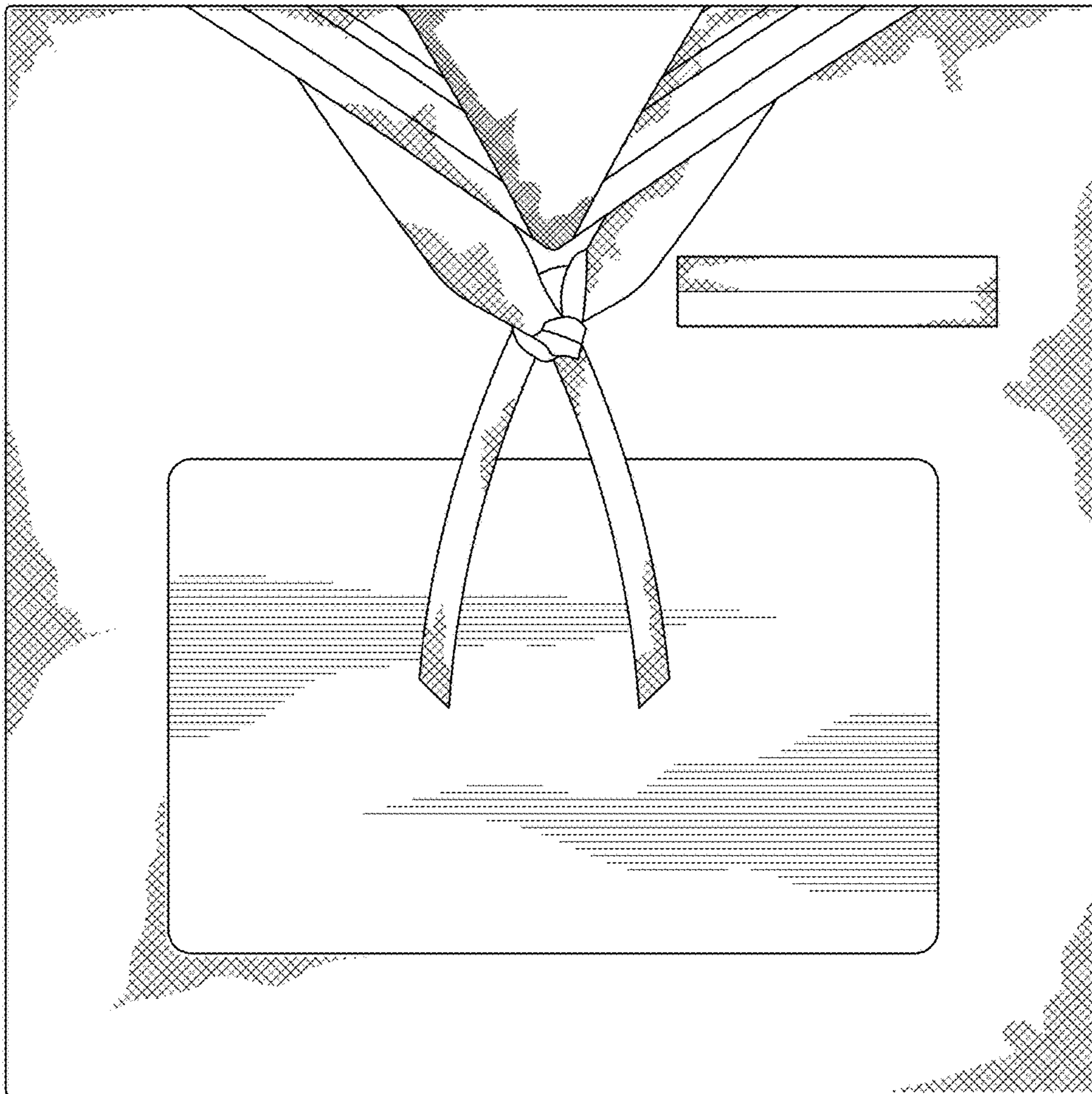


FIG. 2

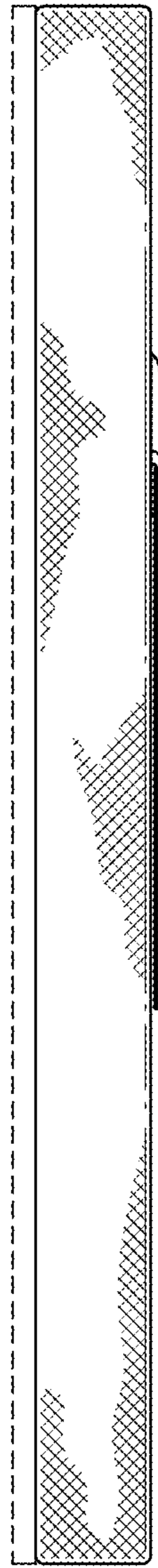


FIG. 3

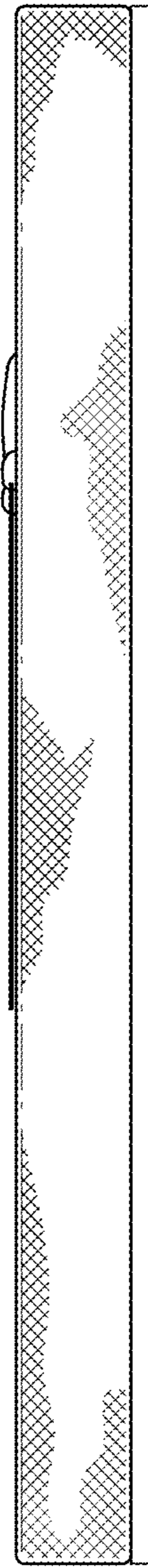


FIG. 4



FIG. 5



FIG. 6