



US00D793737S

(12) **United States Design Patent** (10) **Patent No.:** **US D793,737 S**
Nguyen et al. (45) **Date of Patent:** **** Aug. 8, 2017**

(54) **COMBINED TOOTHBRUSH HANDLE AND COVER**

(71) Applicant: **Children Oral Care, LLC**, Buena Park, CA (US)

(72) Inventors: **Huy Kha Nguyen**, Anaheim, CA (US); **Geoff Carroll**, Los Angeles, CA (US)

(73) Assignee: **Children Oral Care, LLC**, Buena Park, CA (US)

(**) Term: **15 Years**

(21) Appl. No.: **29/555,310**

(22) Filed: **Feb. 19, 2016**

(51) **LOC (10) Cl.** **04-02**

(52) **U.S. Cl.**
USPC **D4/108**

(58) **Field of Classification Search**
USPC D4/100, 104, 110, 116, 119, 121, 127, D4/129, 130, 136, 137, 138, 103, 108; D21/398, 402, 405, 414, 451, 468; D28/18, 30, 48, 64.7, 65, 68; D24/121, D24/136, 152, 176, 180, 224; D7/387, D7/391, 393, 394, 395, 533, 647; D8/80, D8/83, 94, 107, 300, 303, 307, 313, 321, D8/322; D30/158, 159
CPC A46B 15/0081; A46B 2200/1026; A46B 3/22; A46B 9/005; A46B 9/026; A46B 9/06
See application file for complete search history.

(56) **References Cited**

U.S. PATENT DOCUMENTS

D459,584 S *	7/2002	Blaustein	D4/107
D476,159 S *	6/2003	Blaustein	D4/107
D495,142 S *	8/2004	Berde	D4/101
D527,185 S *	8/2006	Vu	D4/101
D632,483 S *	2/2011	Crossman	D4/101
D657,954 S *	4/2012	Gebski	D4/101

D663,122 S *	7/2012	Nanda	D4/101
D687,226 S *	8/2013	Doumoto	D4/101
D749,854 S *	2/2016	Nguyen	D4/101
D750,378 S *	3/2016	Nguyen	D4/101
D756,123 S *	5/2016	Nguyen	D4/108
D756,124 S *	5/2016	Nguyen	D4/108
D768,386 S *	10/2016	Demarest	D4/100

OTHER PUBLICATIONS

Kylo Ren Light-Up Toothbrush, [online], [site visited Jan. 18, 2017]. Available from the internet, <URL:http://www.disneystore.co.uk/kylo-ren-light-up-toothbrush-with-timer-star-wars-the-force-awakens-465045062947.html>.*
Star Wars Lightsaber Toothbrush, [online], [site visited Jan. 18, 2017]. Available from the internet, <URL:https://www.walmart.com/ip/Firefly-Star-Wars-Kylo-Ren-Lightsaber-Lightup-Timer-Toothbrush-Soft/50018577>.*

* cited by examiner

Primary Examiner — Thomas Johannes
Assistant Examiner — Katrina Gonzalez
(74) *Attorney, Agent, or Firm* — Snell & Wilmer LLP

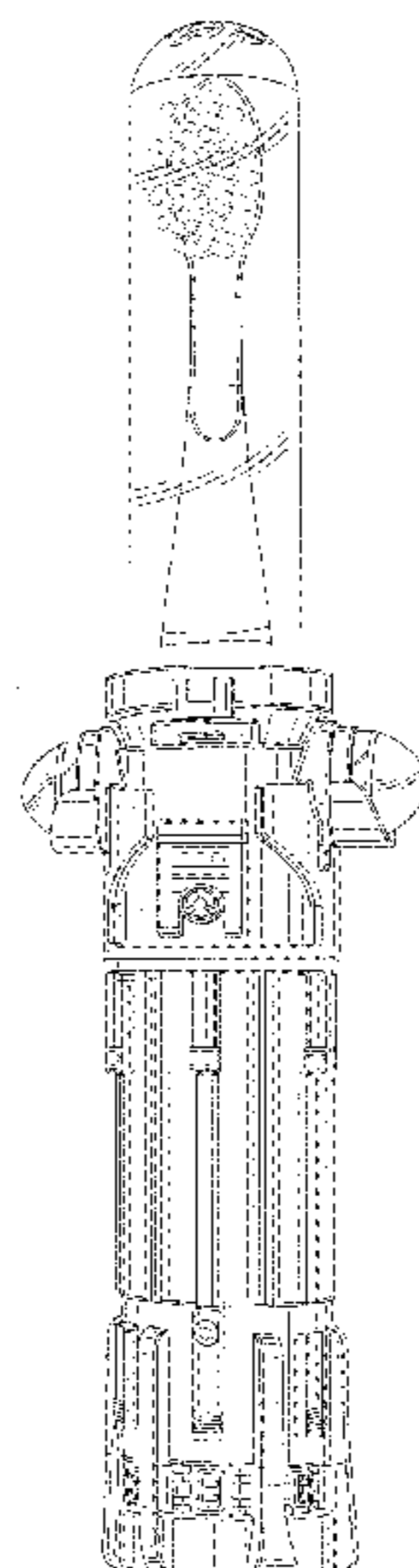
(57) **CLAIM**

The ornamental design for a combined toothbrush handle and cover, as shown and described.

DESCRIPTION

FIG. 1 is a front elevation view of a combined toothbrush handle and cover showing our new design; FIG. 2 is a right side elevation view thereof; FIG. 3 is a left side elevation view thereof; FIG. 4 is a top plan view thereof; FIG. 5 is a bottom plan view thereof; FIG. 6 is a rear elevation view thereof; and, FIG. 7 is a front perspective view thereof. The broken lines shown in FIGS. 1, 2, 3 and 7 illustrate portions of the combined toothbrush handle and cover which form no part of the claimed design.

1 Claim, 7 Drawing Sheets



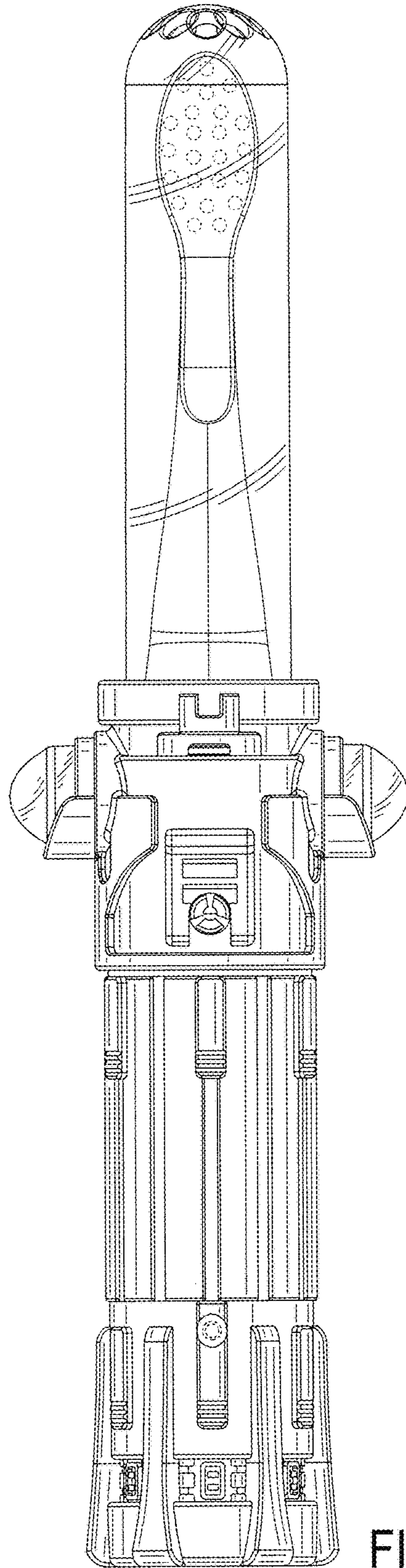


FIG. 1

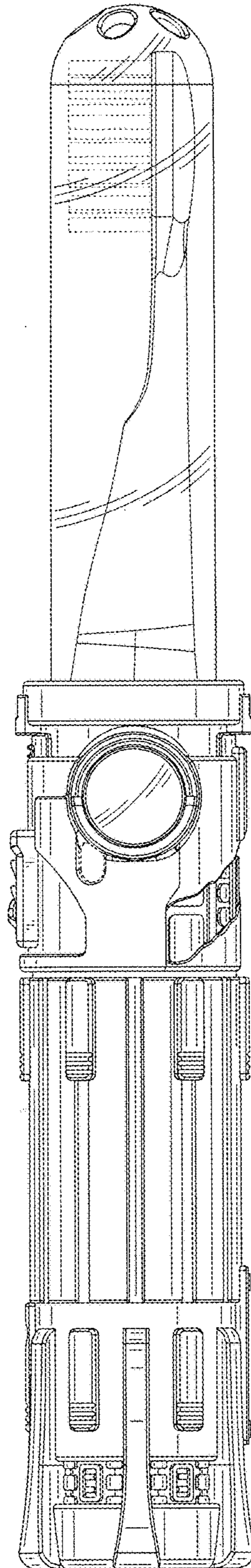


FIG. 2

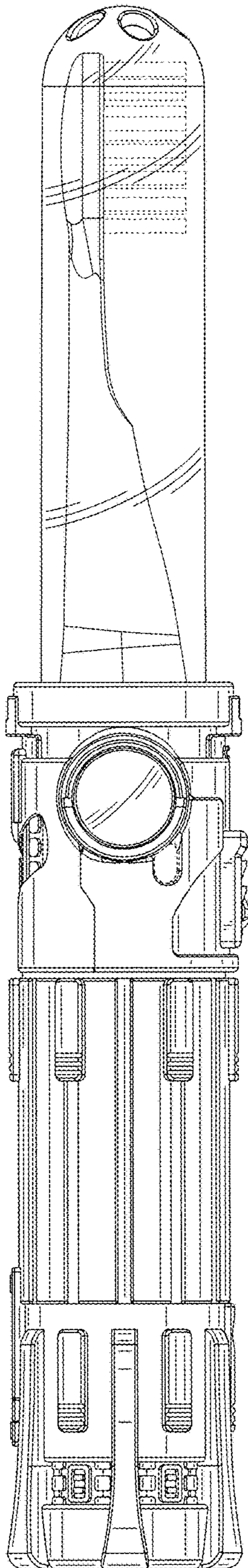


FIG. 3

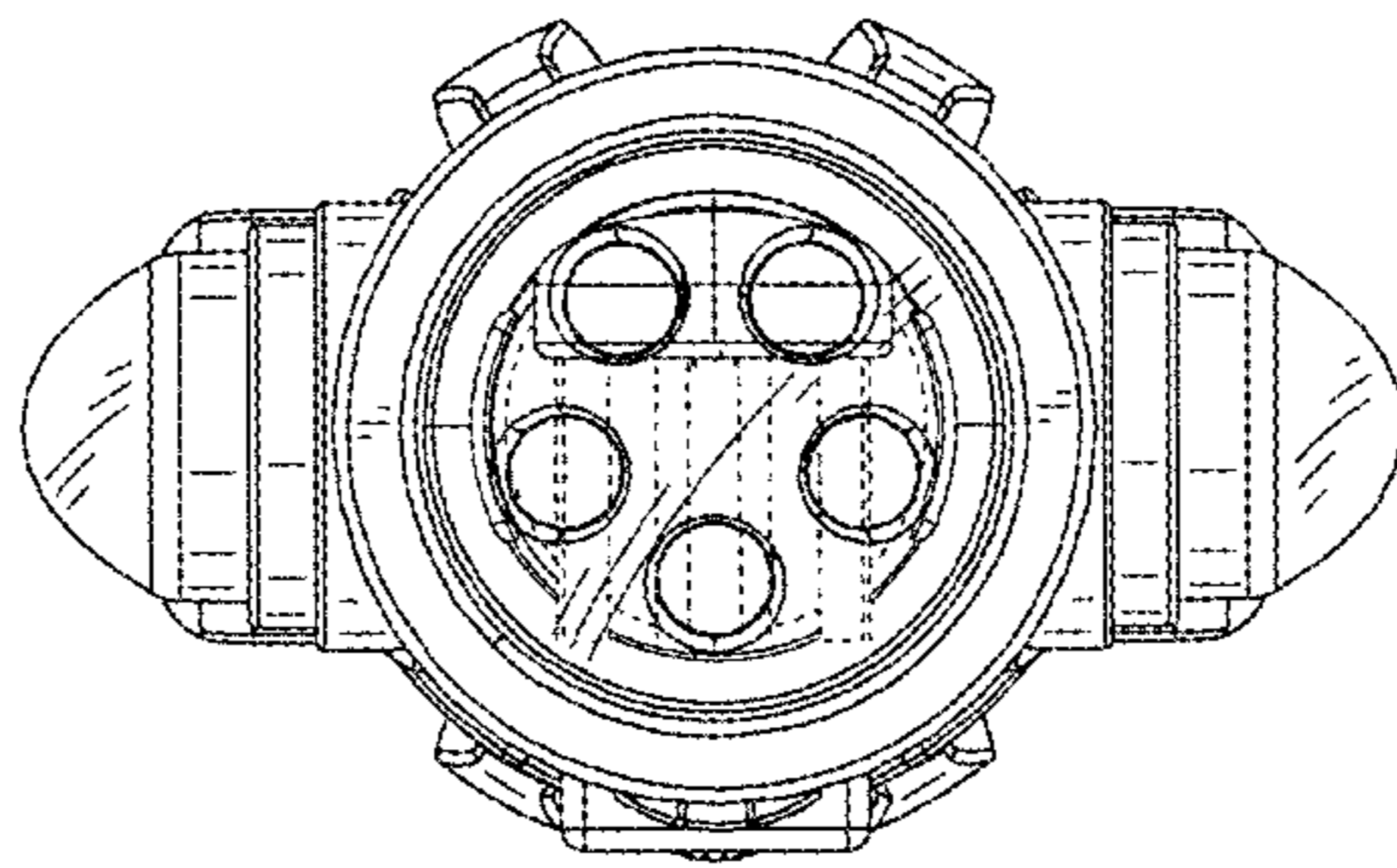


FIG. 4

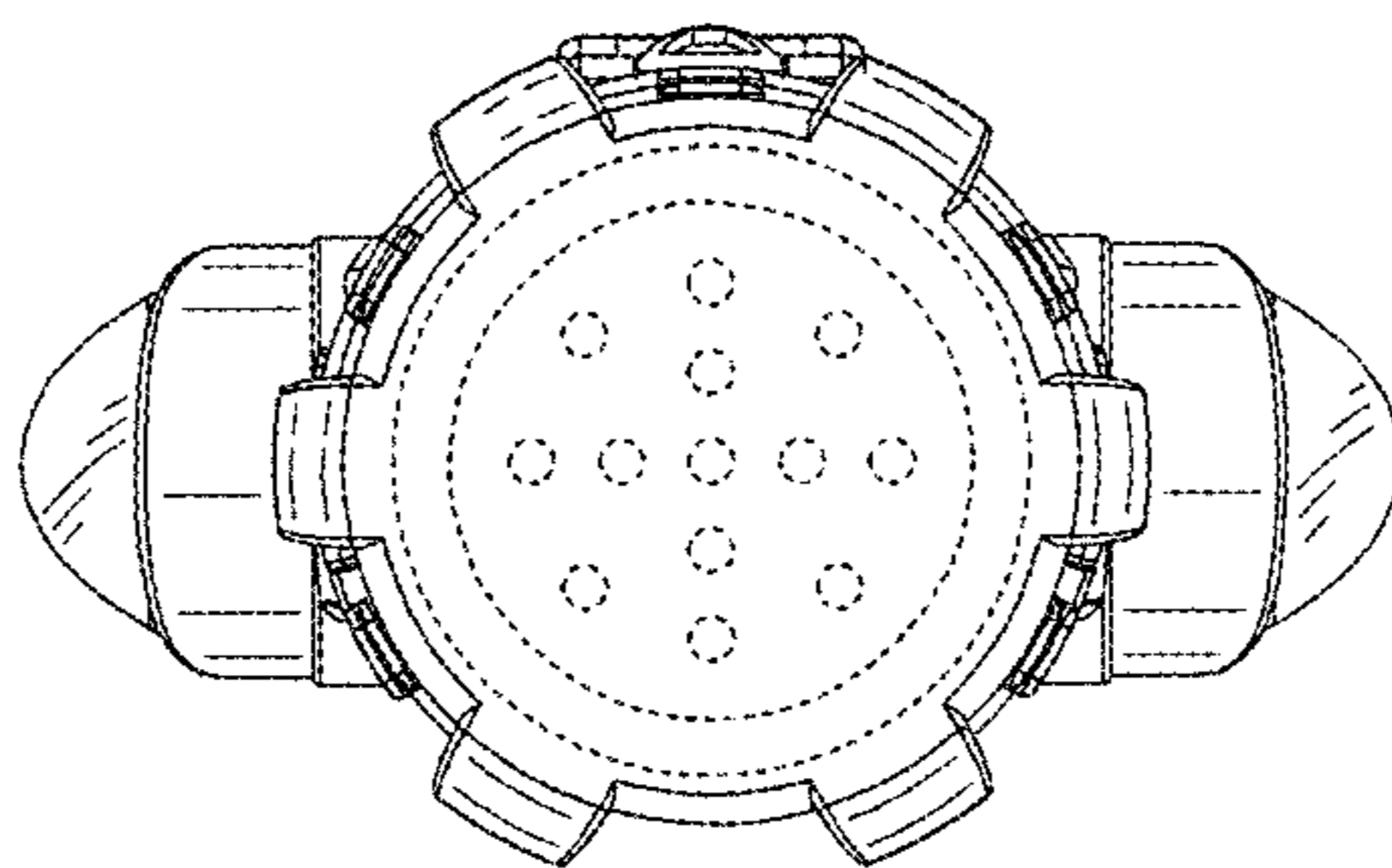


FIG. 5

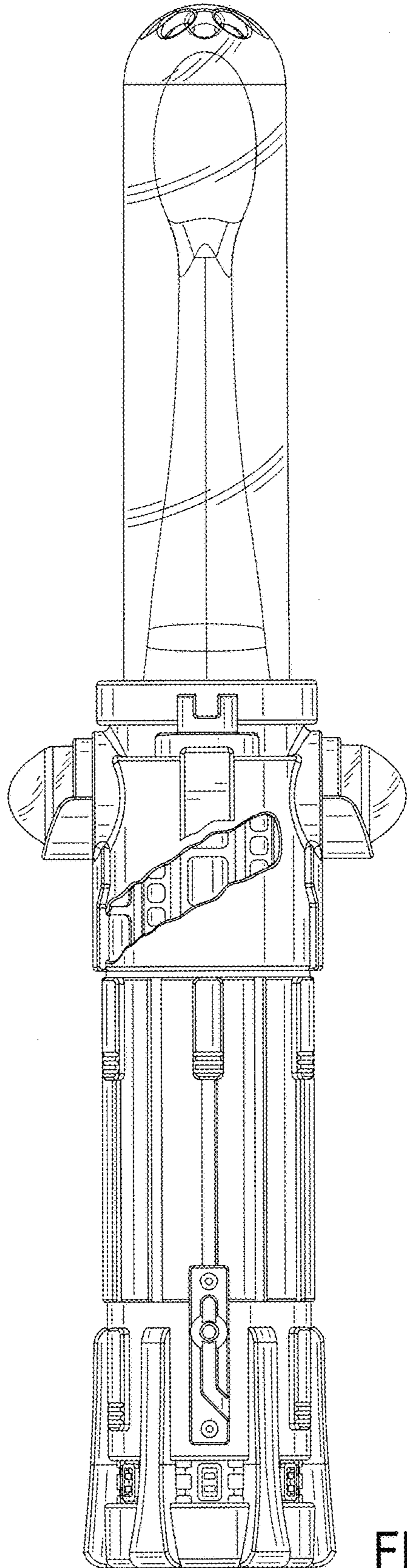


FIG. 6

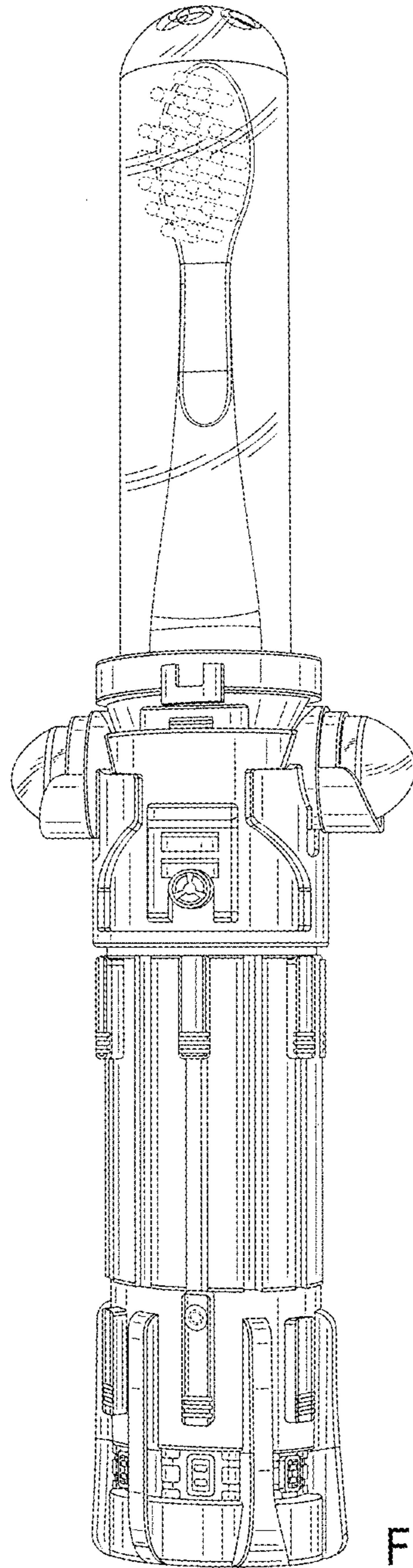


FIG. 7