



US00D793734S

(12) **United States Design Patent**
Liang

(10) **Patent No.:** **US D793,734 S**

(45) **Date of Patent:** **** Aug. 8, 2017**

(54) **HANGER FOR A SHOPPING BAG**

(71) Applicant: **Joseph Liang, Ping-Tung Hsien (TW)**

(72) Inventor: **Joseph Liang, Ping-Tung Hsien (TW)**

(**) Term: **15 Years**

(21) Appl. No.: **29/566,102**

(22) Filed: **May 26, 2016**

(51) **LOC (10) Cl.** **03-01**

(52) **U.S. Cl.**
USPC **D3/328; D8/376**

(58) **Field of Classification Search**
USPC D8/376; D3/318, 328
CPC A41D 27/22; A47G 25/48; A47G 25/00
See application file for complete search history.

(56) **References Cited**

U.S. PATENT DOCUMENTS

- D418,811 S * 1/2000 Bunyea D13/119
- D438,450 S * 3/2001 Jones D8/376
- D443,813 S * 6/2001 Harwanko D8/376

D452,343 S * 12/2001 Pan D26/138

* cited by examiner

Primary Examiner — Holly Baynham

(74) *Attorney, Agent, or Firm* — DLA Piper LLP (US)

(57) **CLAIM**

The ornamental design for a hanger for a shopping bag, as shown and described.

DESCRIPTION

FIG. 1 is a perspective view of a hanger for a shopping bag showing my new design;

FIG. 2 is a front elevational view thereof;

FIG. 3 is a rear elevational view thereof;

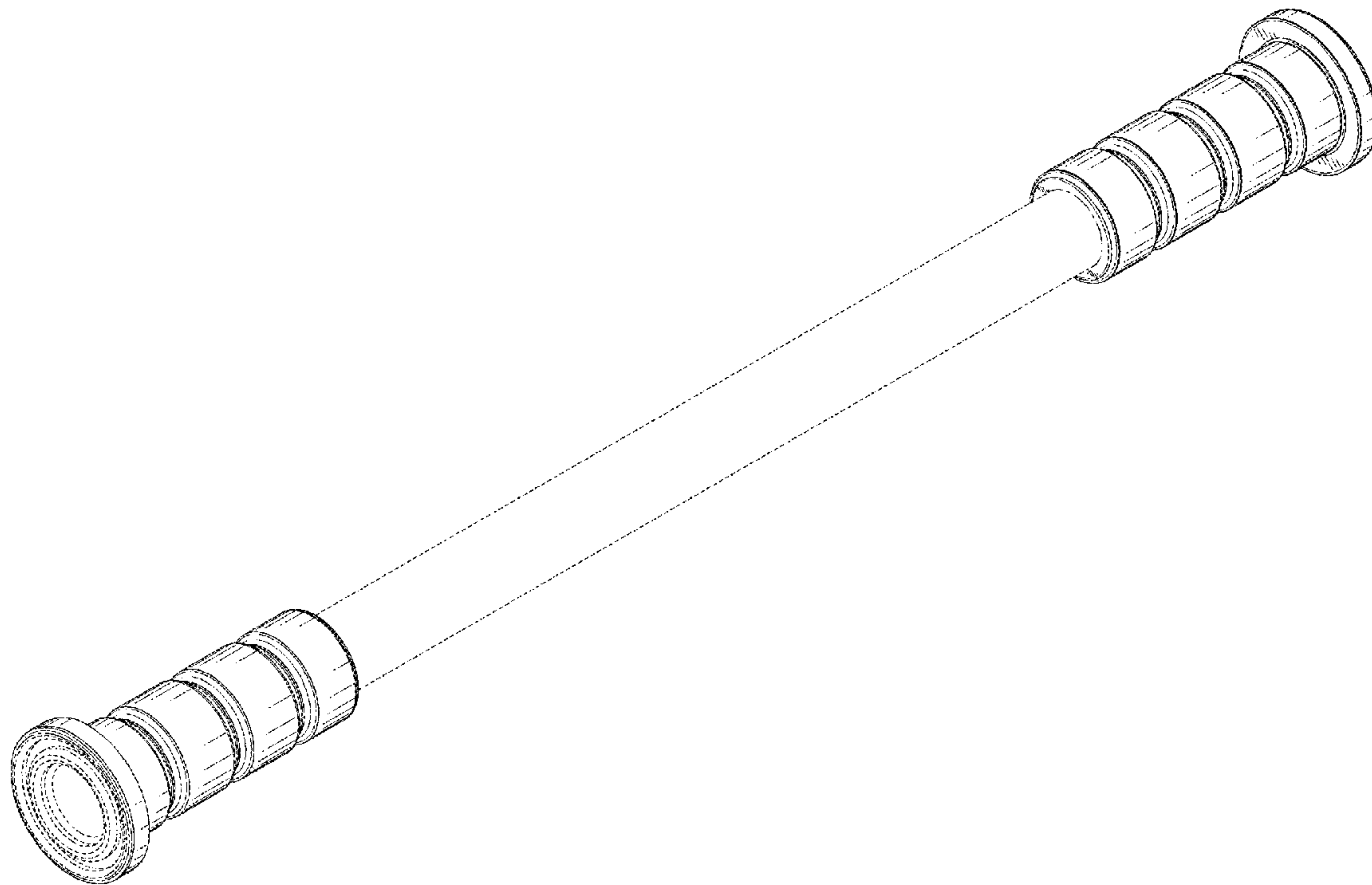
FIG. 4 is a left side elevational view thereof;

FIG. 5 is a right side elevational view thereof; and,

FIG. 6 is a perspective view of the design showing two hangers in state of use with a shopping bag.

The broken lines showing a middle portion of the hanger are for illustrating purposes only and form no part of the claimed design. The broken lines showing the shopping bag are for illustrating environmental purposes only and form no part of the claimed design.

1 Claim, 6 Drawing Sheets



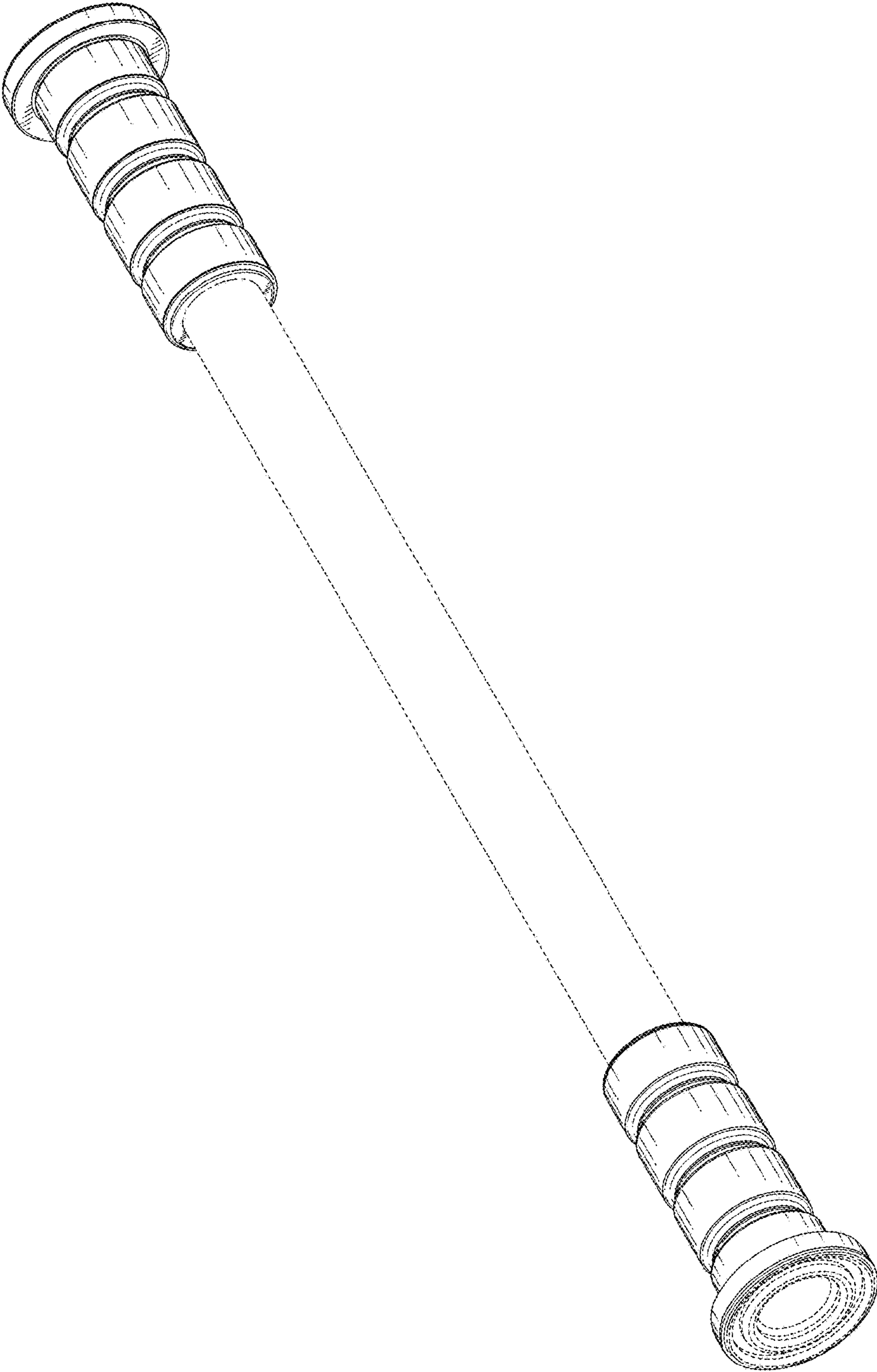


FIG. 1

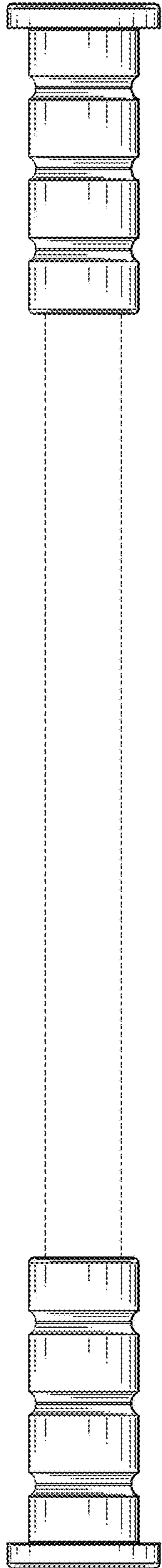


FIG. 2

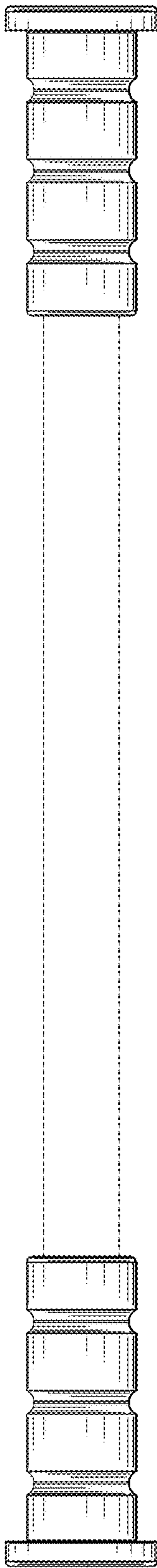


FIG. 3

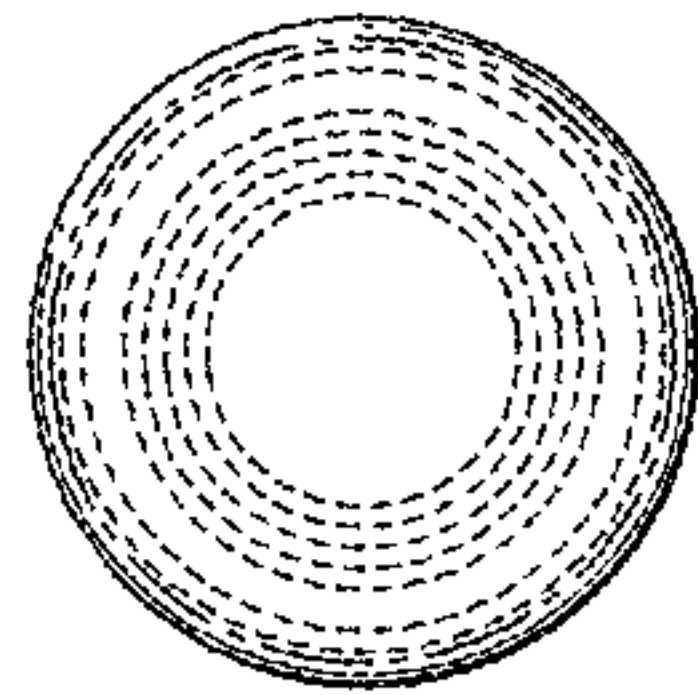


FIG. 4

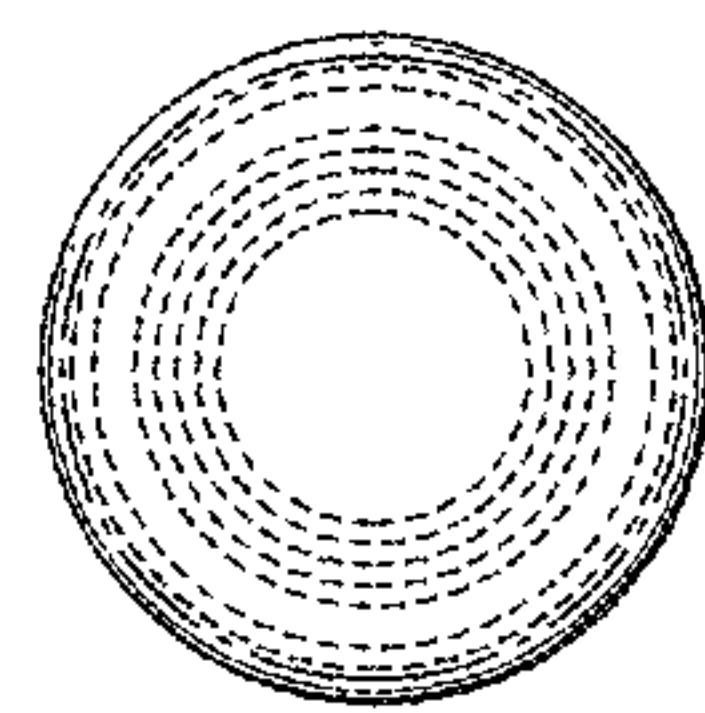


FIG. 5

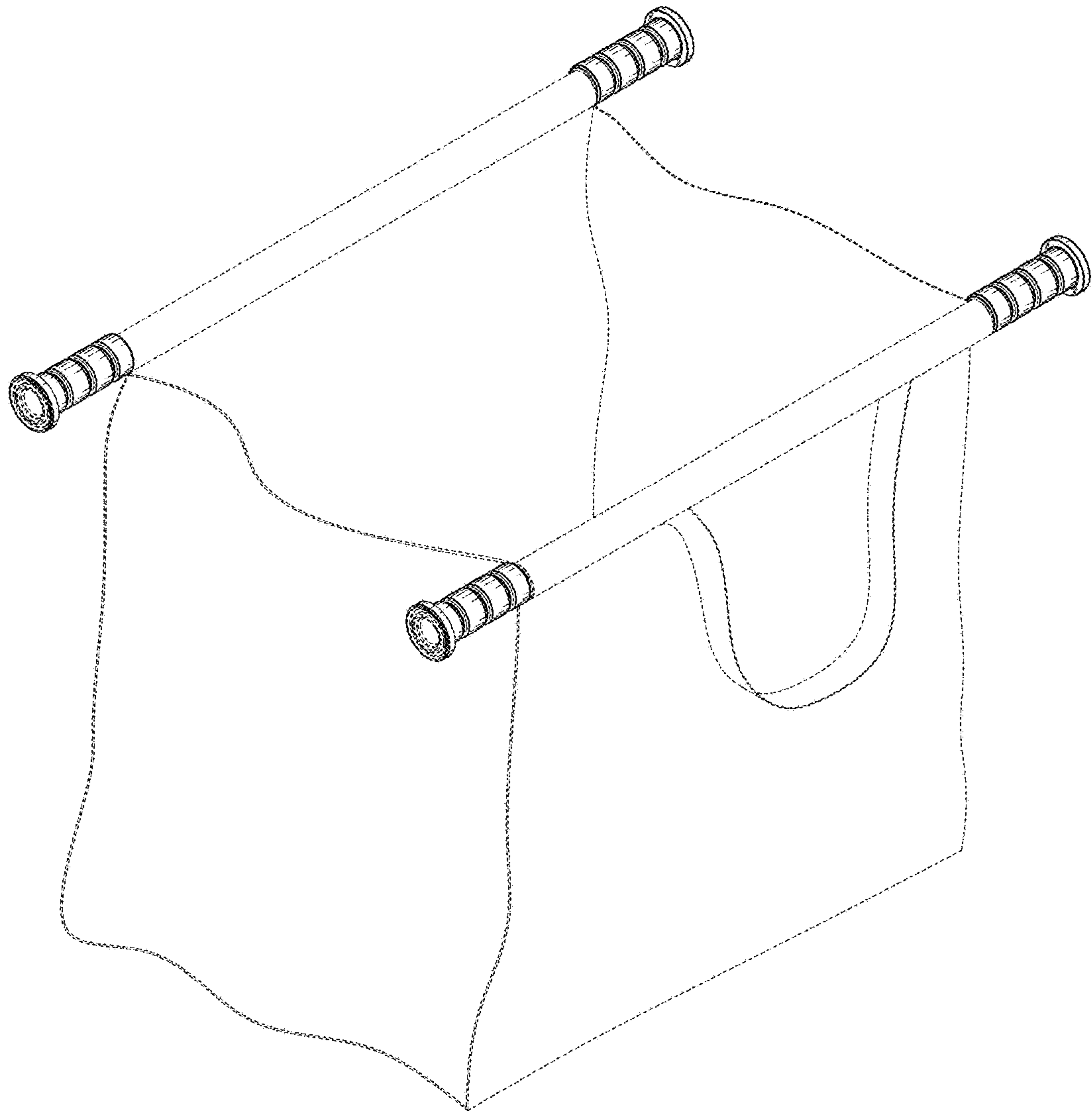


FIG. 6