



US00D793728S

(12) **United States Design Patent**
Faibish et al.

(10) **Patent No.:** **US D793,728 S**

(45) **Date of Patent:** **** *Aug. 8, 2017**

(54) **TOOL BAG**

(71) Applicant: **The Stanley Works Israel Ltd.**, Rosh Ha'Ayin (IL)

(72) Inventors: **Abraham Faibish**, Moshav Tal Shazar (IL); **Michael Menirom**, Raanana (IL); **Sivan Sasi**, Yehud (IL)

(73) Assignee: **The Stanley Works Israel Ltd.**, Rosh Ha'Ayin (IL)

(*) Notice: This patent is subject to a terminal disclaimer.

(**) Term: **15 Years**

(21) Appl. No.: **29/552,052**

(22) Filed: **Jan. 20, 2016**

(51) **LOC (10) Cl.** **03-01**

(52) **U.S. Cl.**

USPC **D3/279**; D3/283; D3/289; D3/905

(58) **Field of Classification Search**

USPC D3/272, 273, 276, 279, 281, 282, 289, D3/291, 292, 294, 283, 301, 302, 303, D3/904, 905, 258; 190/107

CPC A45C 5/00; A45C 5/02; A45C 5/03; A45C 5/04; A45C 5/06; A45C 5/08; A45C 5/14; A45C 5/141; A45C 7/0018; A45C 2003/007; A45C 2003/008; A45C 2005/032; A45C 2005/035; A45C 2005/037; A45C 2005/142; A45C 2005/148

See application file for complete search history.

(56) **References Cited**

U.S. PATENT DOCUMENTS

D307,668 S * 5/1990 Young D3/283
5,149,203 A * 9/1992 Sacks A45C 3/00
190/125

D427,768 S * 7/2000 Bogert D3/279
6,883,654 B2 * 4/2005 Godshaw A45C 7/0054
190/107
6,926,129 B2 * 8/2005 Hoberman A45C 13/385
190/107
7,004,481 B1 * 2/2006 Stanish A45C 5/146
190/108
D532,970 S * 12/2006 Teitloff D3/258
D645,662 S * 9/2011 Perez D3/216
8,695,770 B2 * 4/2014 Santy A45C 13/36
190/115
D762,385 S * 8/2016 Horner D3/285
2002/0125089 A1 * 9/2002 Davis A45C 5/02
190/107
2002/0148743 A1 * 10/2002 Tong A45C 3/00
206/288
2003/0209396 A1 * 11/2003 Bernbaun A45C 3/00
190/18 A
2005/0034947 A1 * 2/2005 Nykoluk A45C 13/385
190/18 A

* cited by examiner

Primary Examiner — Jennifer Rivard

Assistant Examiner — Jerry Hsu

(74) *Attorney, Agent, or Firm* — Gabriel A. Haboubi

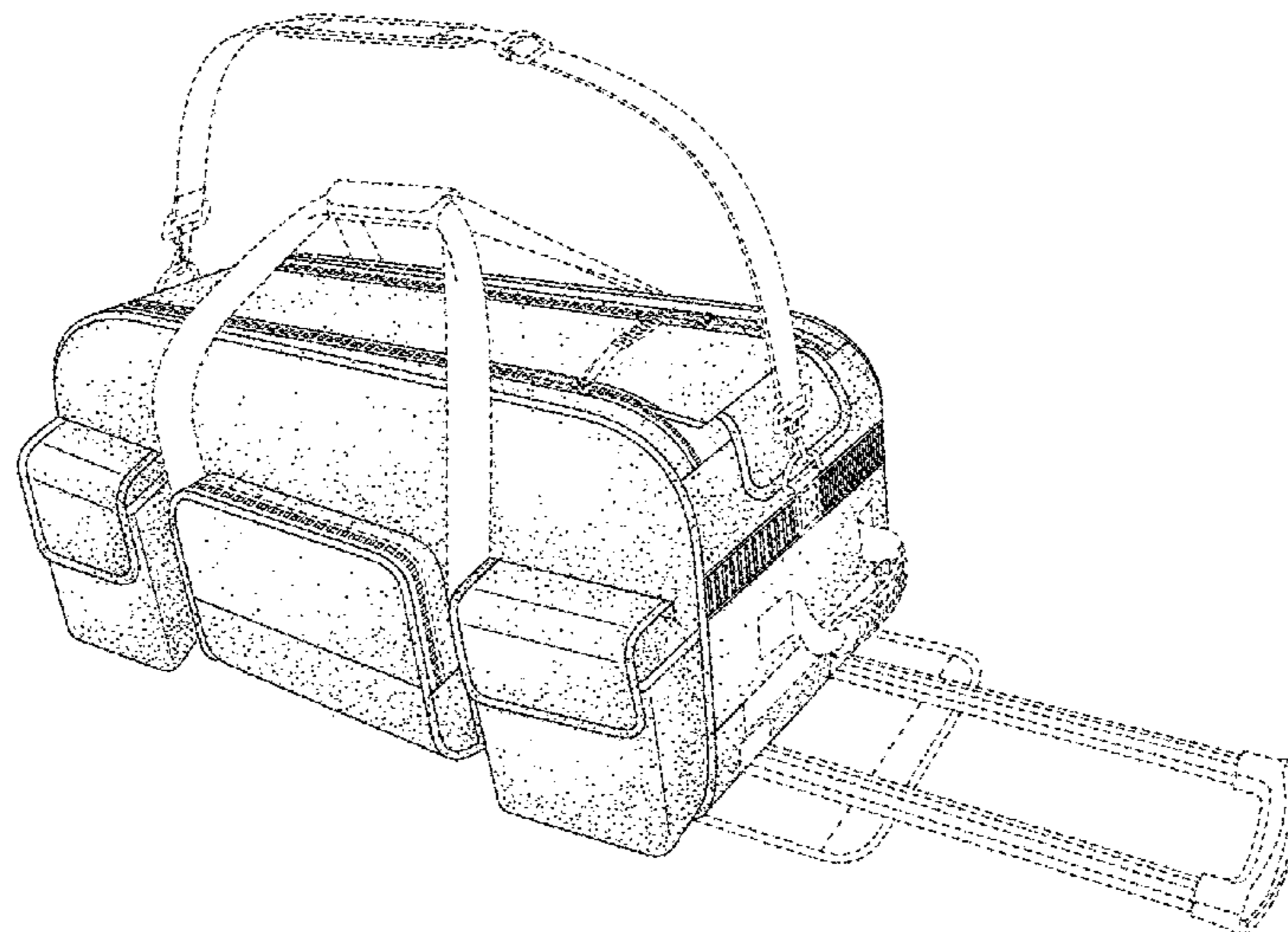
(57) **CLAIM**

The ornamental design for a tool bag, as shown and described.

DESCRIPTION

FIG. 1 is a perspective view of our new design.
FIG. 2 is a front view thereof.
FIG. 3 is a back view thereof.
FIG. 4 is a left side view thereof.
FIG. 5 is a right side view thereof.
FIG. 6 is a top view thereof; and,
FIG. 7 is a bottom view thereof.
Features in broken lines are disclosed but form no part of the claimed design.

1 Claim, 7 Drawing Sheets



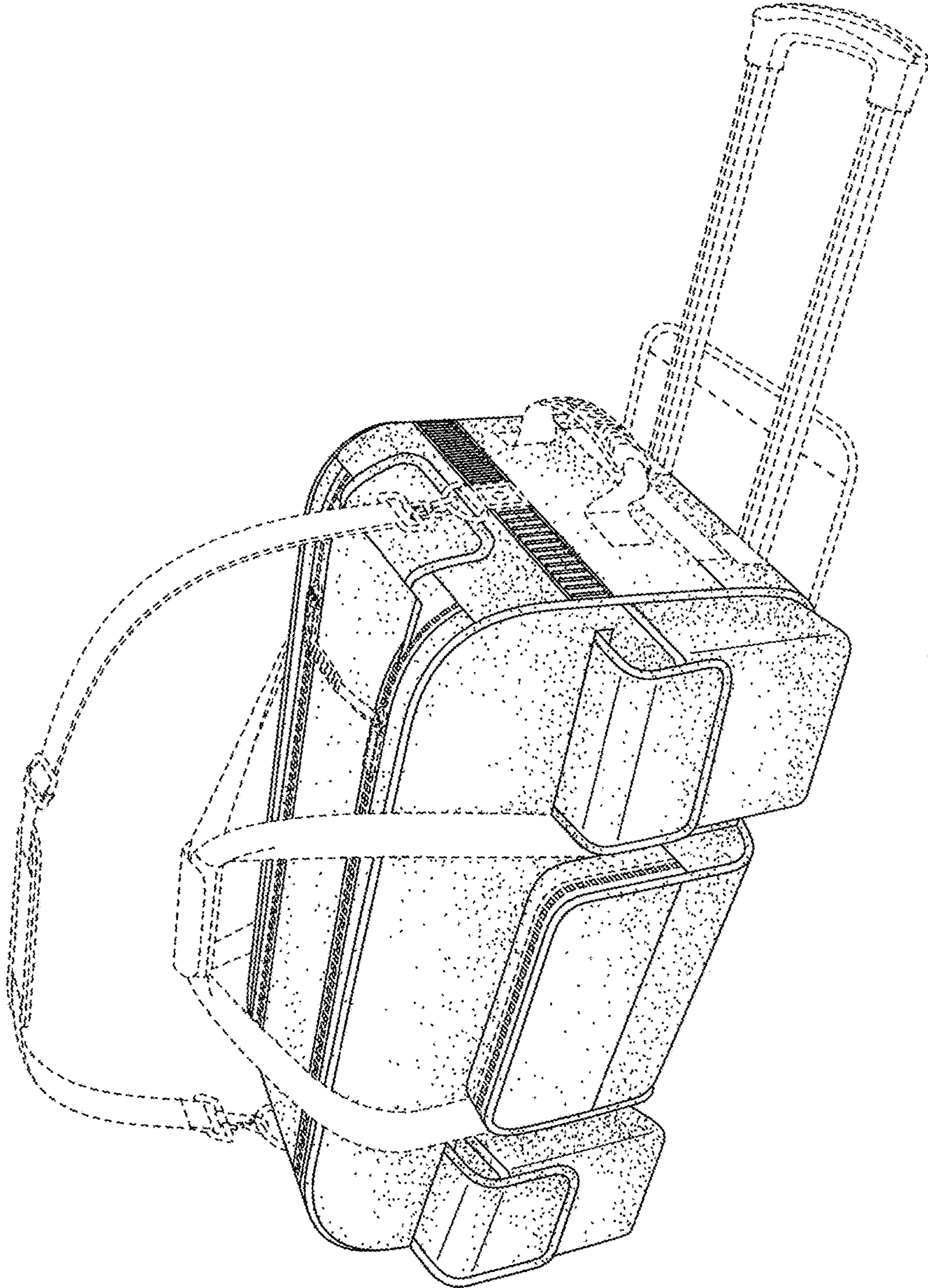


FIG. 1

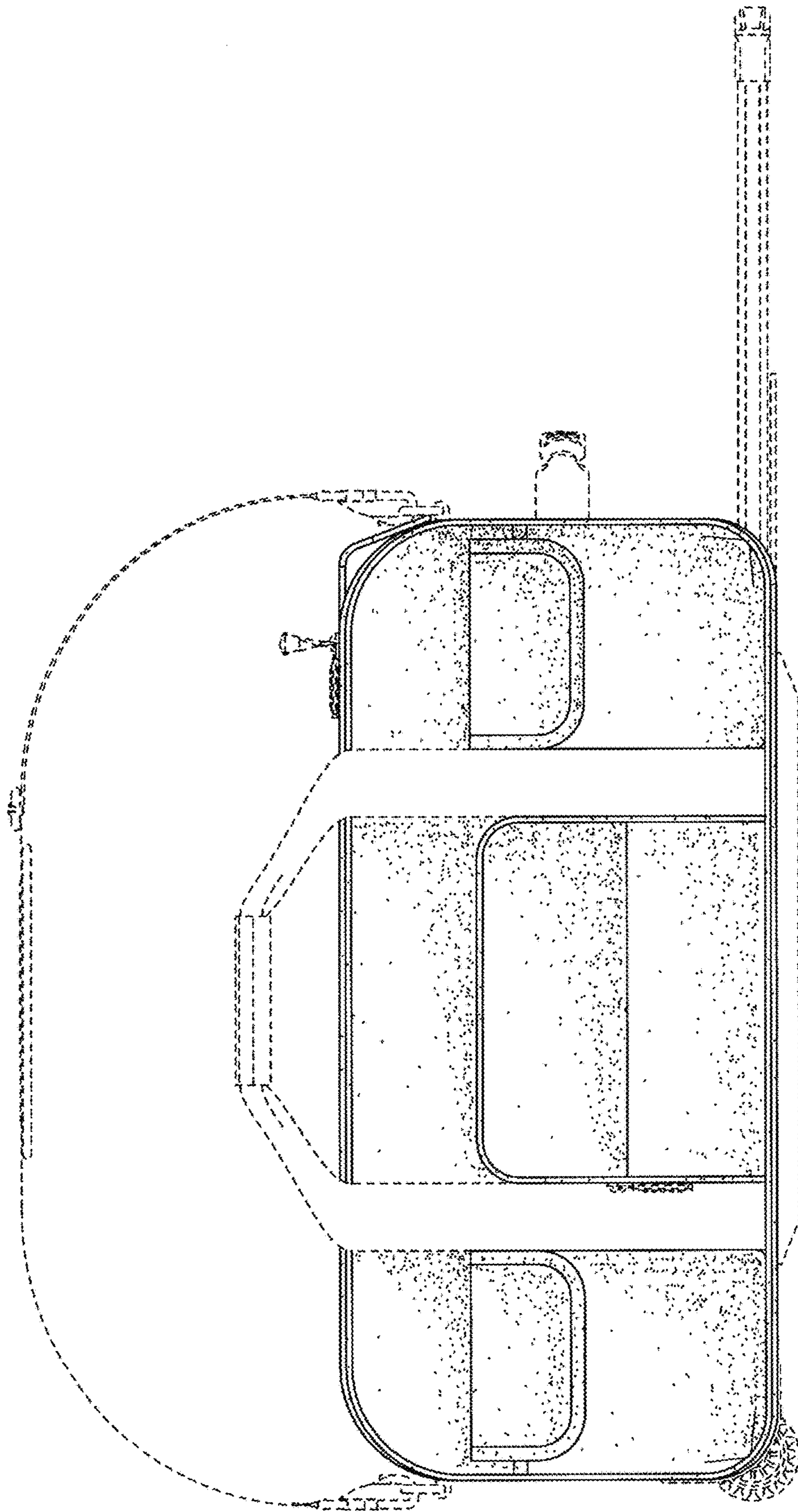


FIG. 2

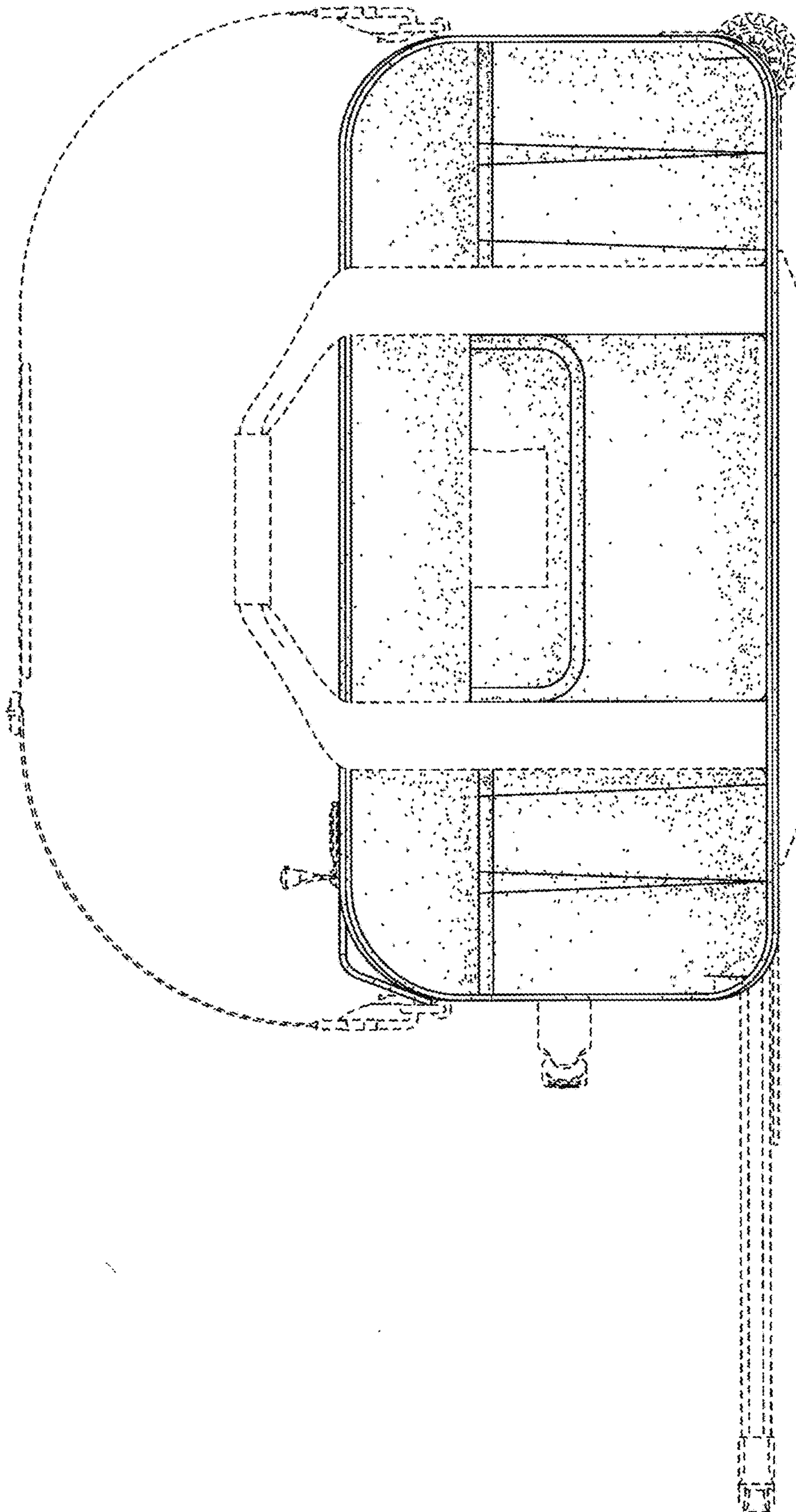


FIG. 3

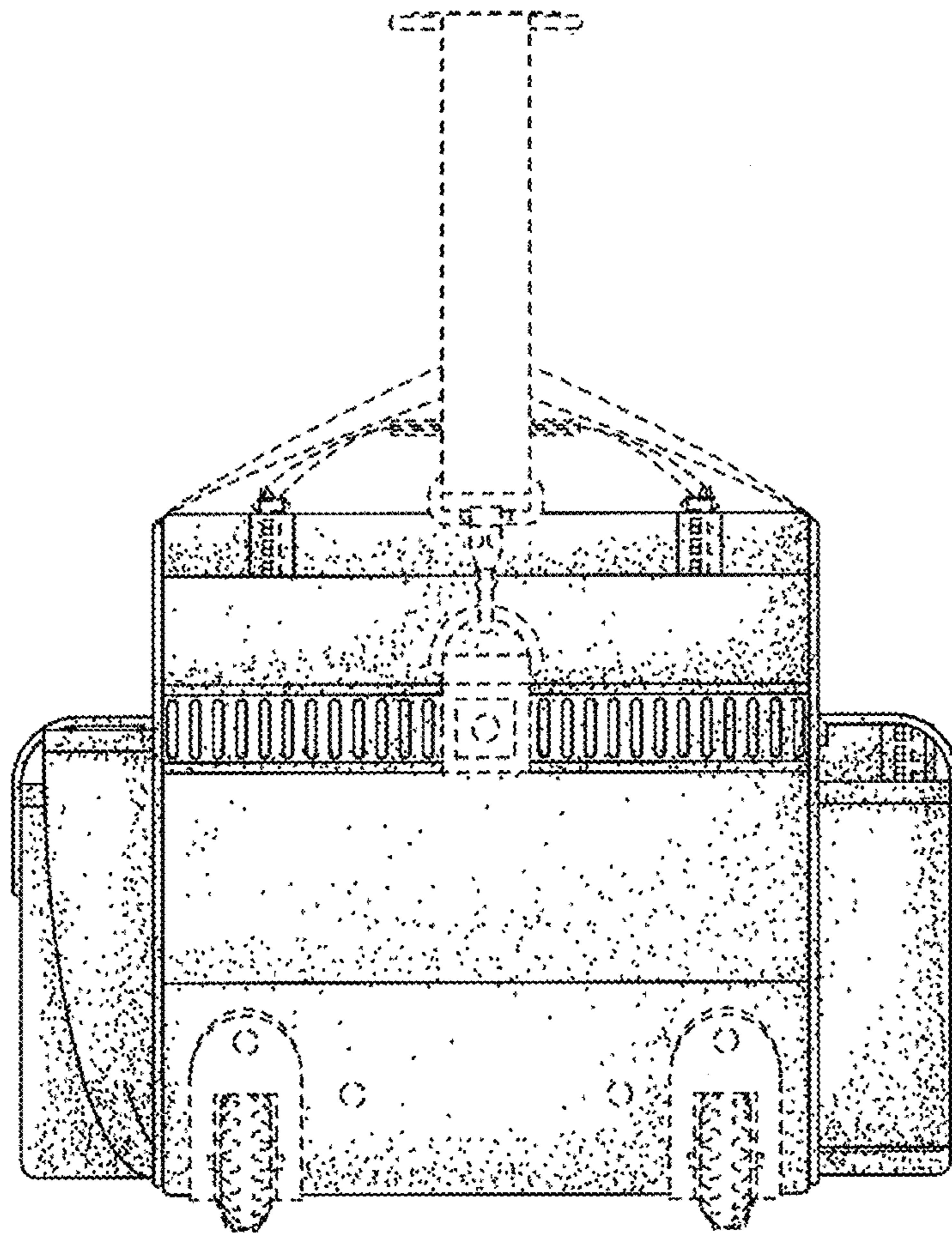


FIG. 4

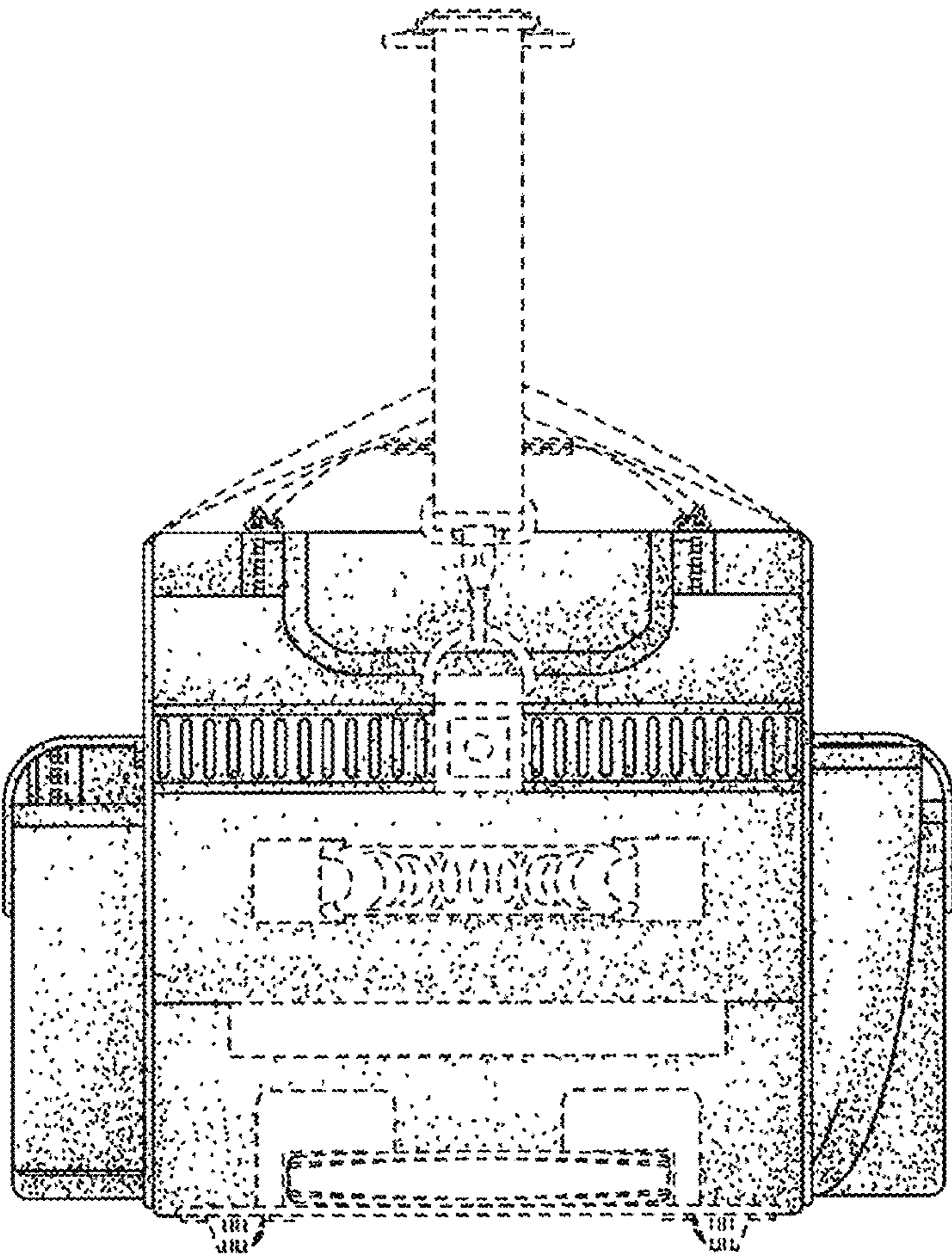


FIG. 5

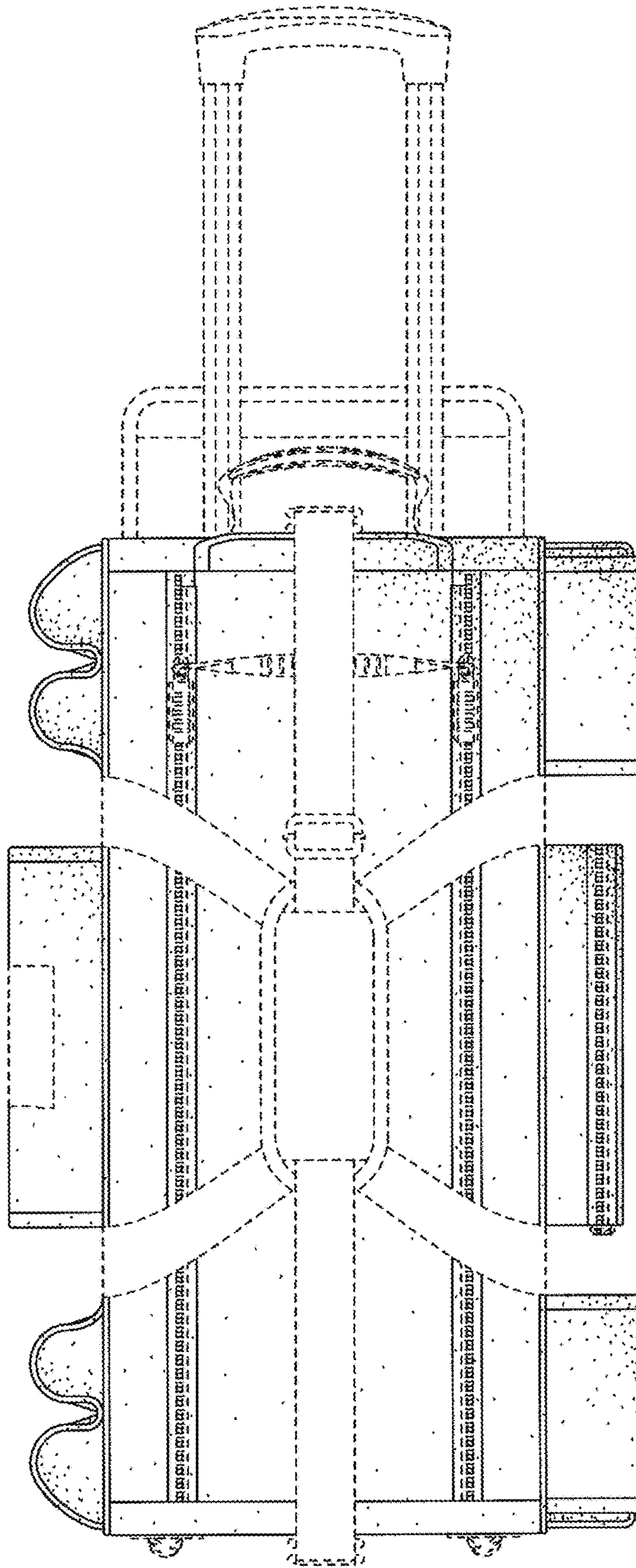


FIG. 6

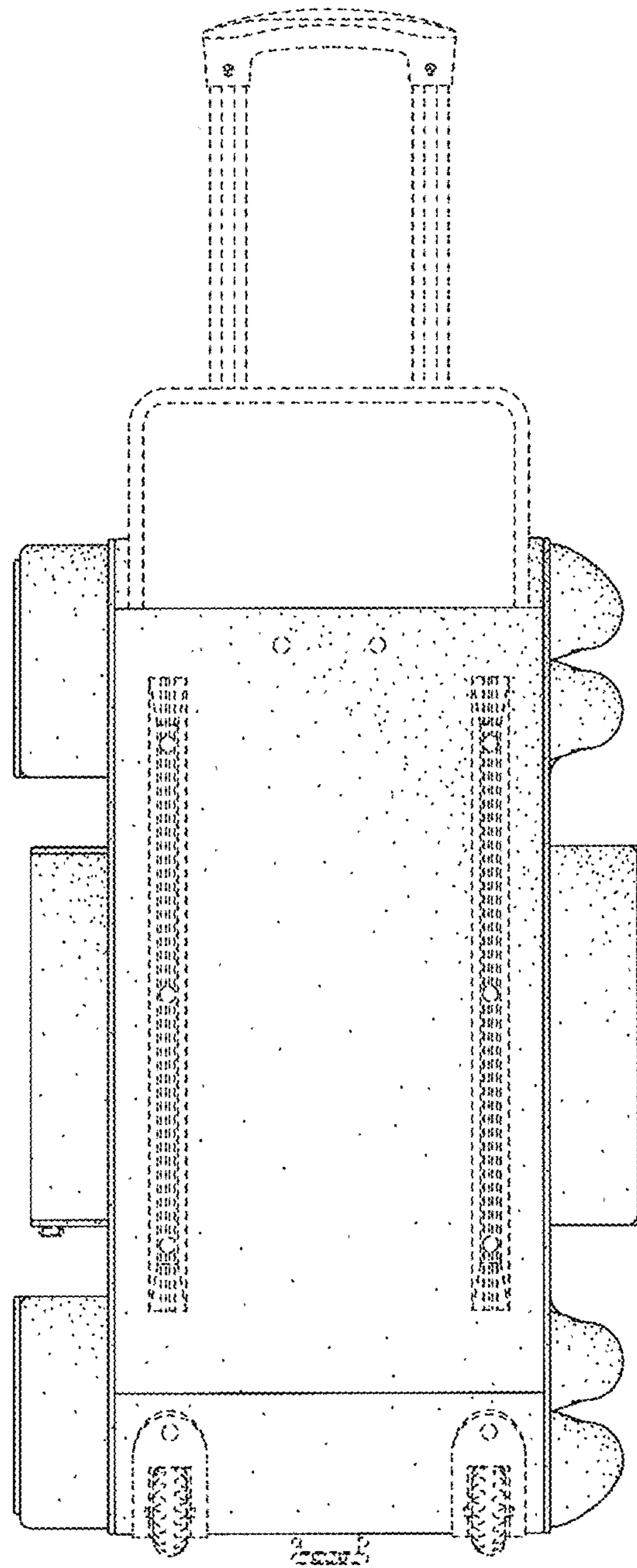


FIG. 7