



US00D793727S

(12) **United States Design Patent** (10) **Patent No.:** **US D793,727 S**
Bründl (45) **Date of Patent:** **** Aug. 8, 2017**

(54) **SUITCASE**
(71) Applicant: **Porsche Lizenz-und
Handelsgesellschaft mbH & Co. KG,**
Ludwigsburg (DE)
(72) Inventor: **Daniel Bründl,** Bietigheim-Bissingen
(DE)
(73) Assignee: **Porsche Lizenz-und
Handelsgesellschaft mbH & Co. KG,**
Ludwigsburg (DE)

D723,281 S * 3/2015 Wang D3/279
D732,823 S * 6/2015 Baron D3/276
D752,862 S * 4/2016 Riddiford D3/272
D755,518 S * 5/2016 Sijmons D3/279
D759,971 S * 6/2016 Riddiford D3/279
2013/0001032 A1* 1/2013 Kuo A45C 13/42
190/115
2013/0220755 A1* 8/2013 Meersschaert A45C 5/02
190/18 A
2014/0283335 A1* 9/2014 Meersschaert A45C 5/14
16/46
2014/0284157 A1* 9/2014 Sheikh A45C 7/0027
190/103
2015/0014108 A1* 1/2015 Vecellio A45C 13/02
190/100

(**) Term: **15 Years**

(Continued)

(21) Appl. No.: **29/547,261**

OTHER PUBLICATIONS

(22) Filed: **Dec. 2, 2015**

Luxury Insider. "Sportscar Inspired: Porsche Design Roadster
Hardcase" Uploaded Jan. 26, 2016. Retrieved Sep. 16, 2016.
(<http://www.luxury-insider.com/luxury-news/2016/01/porsche-design-roadster-hardcase>).*

(30) **Foreign Application Priority Data**

Jun. 23, 2015 (DE) 40 2015 100 576

(51) **LOC (10) Cl.** **03-01**

(52) **U.S. Cl.**
USPC **D3/279; D3/289**

(58) **Field of Classification Search**
USPC D3/272, 273, 276, 279, 281, 282, 285,
D3/286, 289, 291, 292, 294, 301, 902
CPC A45C 5/00; A45C 5/03; A45C 5/04; A45C
5/14; A45C 5/146; A45C 7/0018; A45C
13/36; A45C 13/38; A45C 13/385; A45C
13/22; A45C 13/26; A45C 2005/032;
A45C 2005/037; A45C 2005/142; A45C
2013/226; A45C 2013/267

See application file for complete search history.

(56) **References Cited**

U.S. PATENT DOCUMENTS

D438,381 S * 3/2001 Sijmons D3/276
D454,430 S * 3/2002 Sijmons D3/279
D613,054 S * 4/2010 Morszeck D3/205
D665,998 S * 8/2012 Sijmons D3/279

Primary Examiner — Jennifer Rivard

Assistant Examiner — Jerry Hsu

(74) *Attorney, Agent, or Firm* — RatnerPrestia

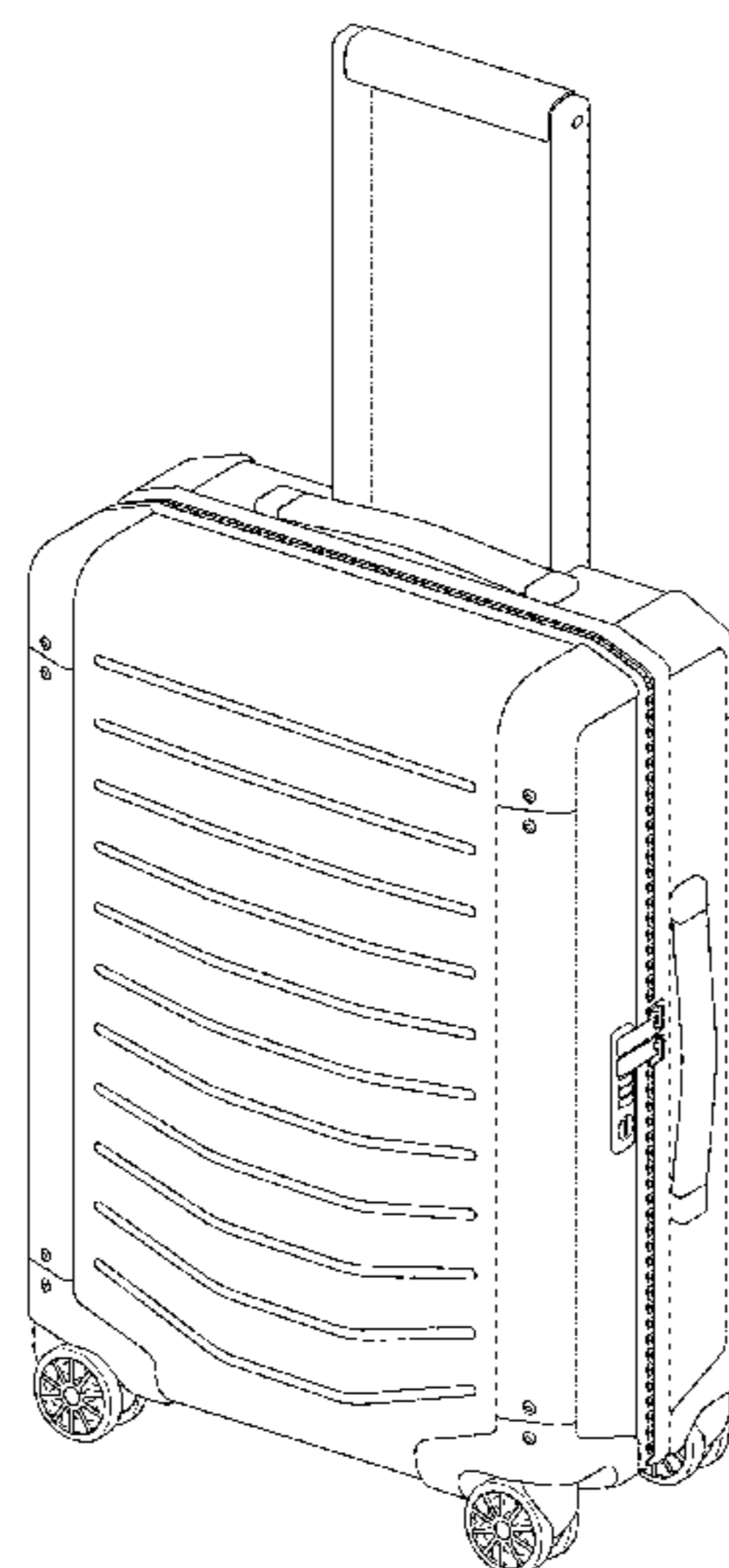
(57) **CLAIM**

The ornamental design for a suitcase, as shown and
described.

DESCRIPTION

FIG. 1 is a top, front, left perspective view of a suitcase;
FIG. 2 is a front elevation view thereof;
FIG. 3 is a rear elevation view thereof;
FIG. 4 is a top plan view thereof;
FIG. 5 is a bottom plan view thereof;
FIG. 6 is a left elevation view thereof; and,
FIG. 7 is a right elevation view thereof.
Features depicted in broken lines illustrate portions of the
suitcase and form no part of the claimed design.

1 Claim, 6 Drawing Sheets



(56)

References Cited

U.S. PATENT DOCUMENTS

2016/0051022 A1* 2/2016 Morszeck A45C 5/02
190/18 A
2016/0157574 A1* 6/2016 Liao A45C 13/103
29/402.08

* cited by examiner



FIG. 1

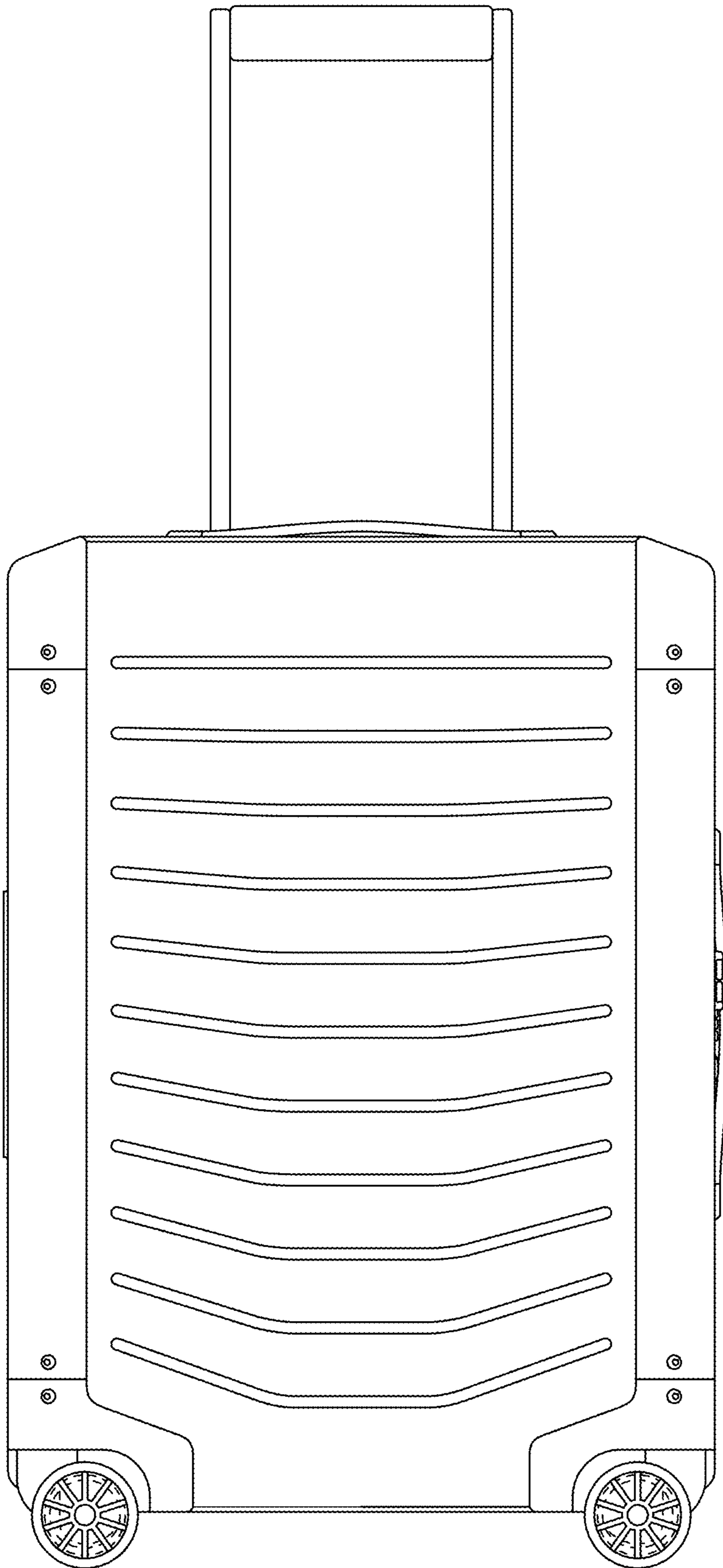


FIG. 2

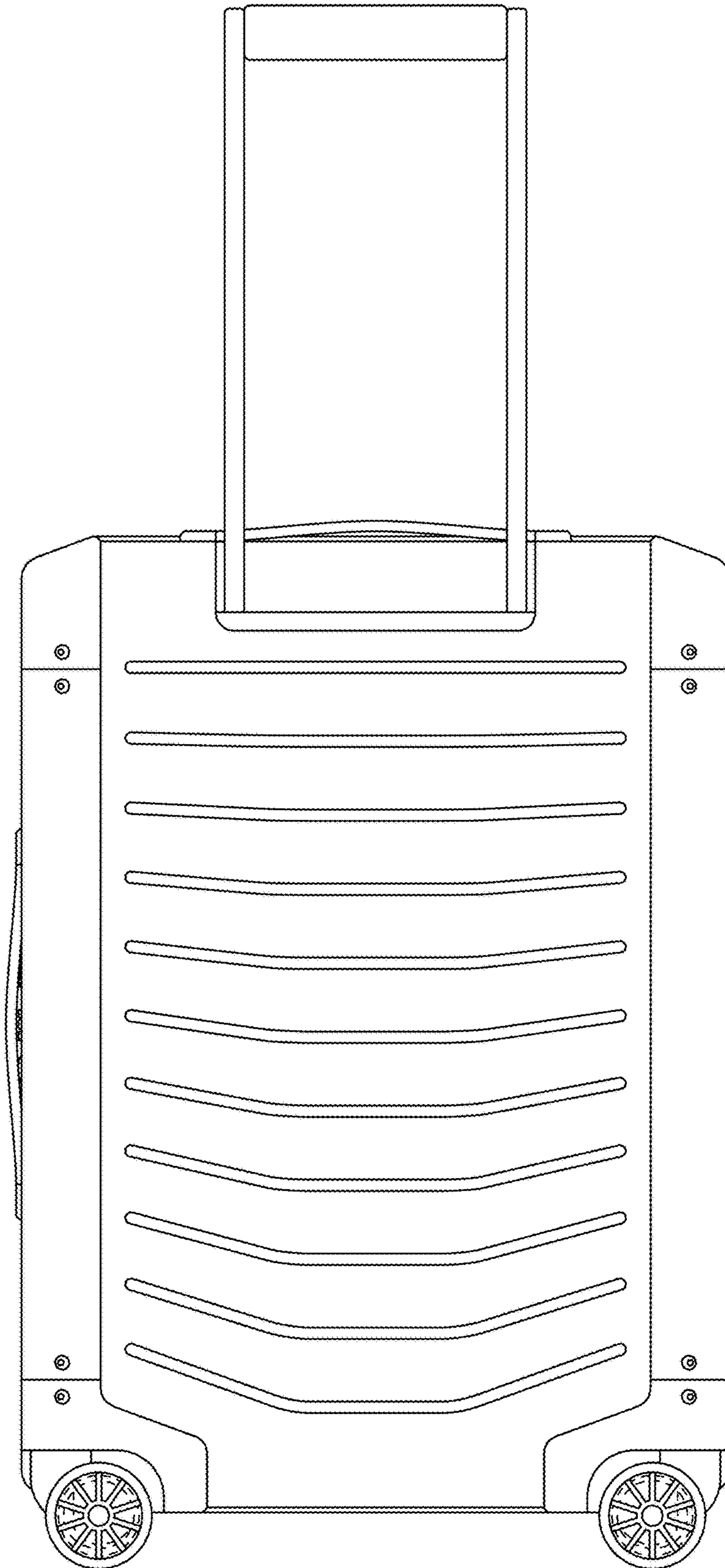


FIG. 3

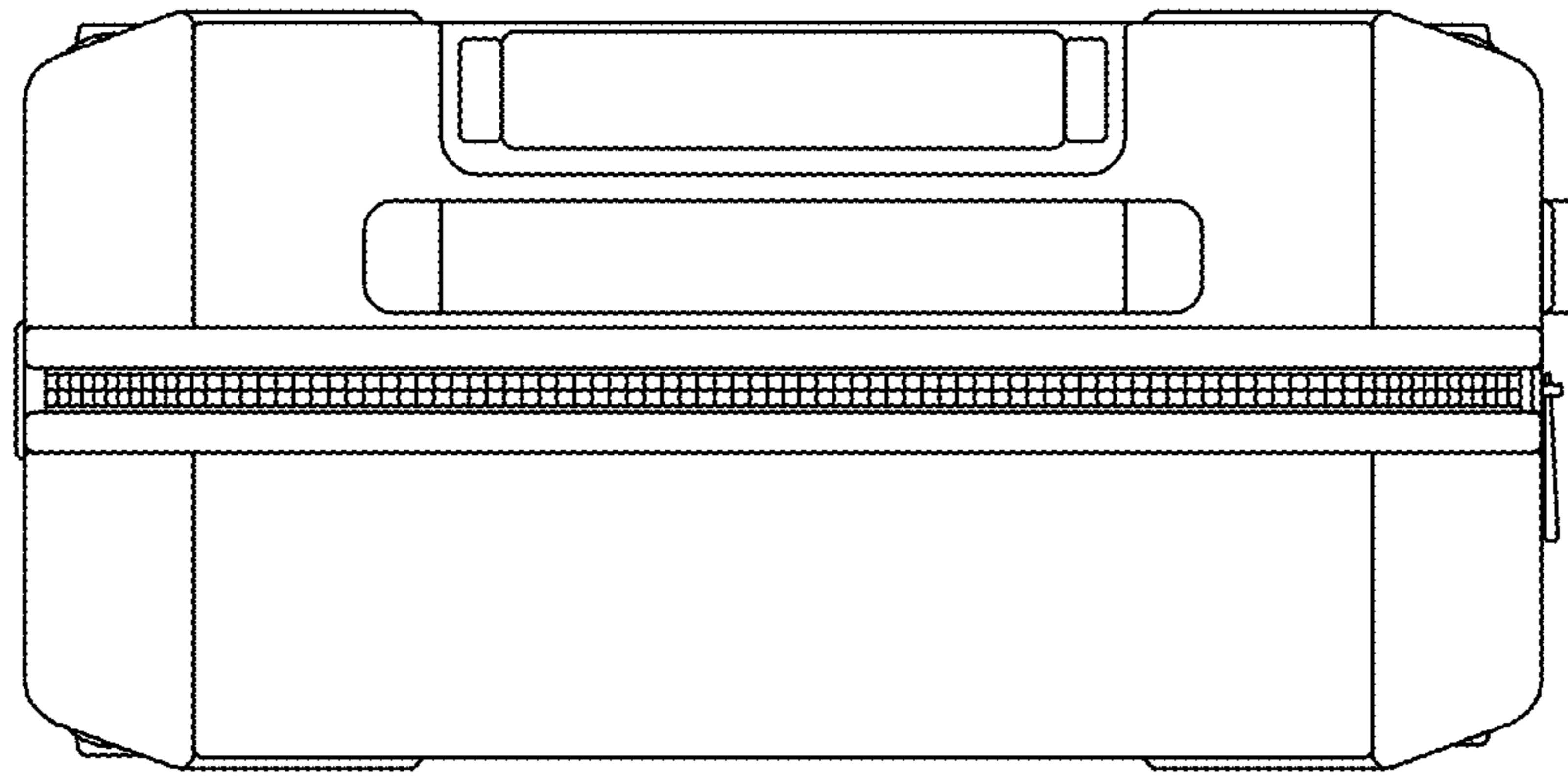


FIG. 4

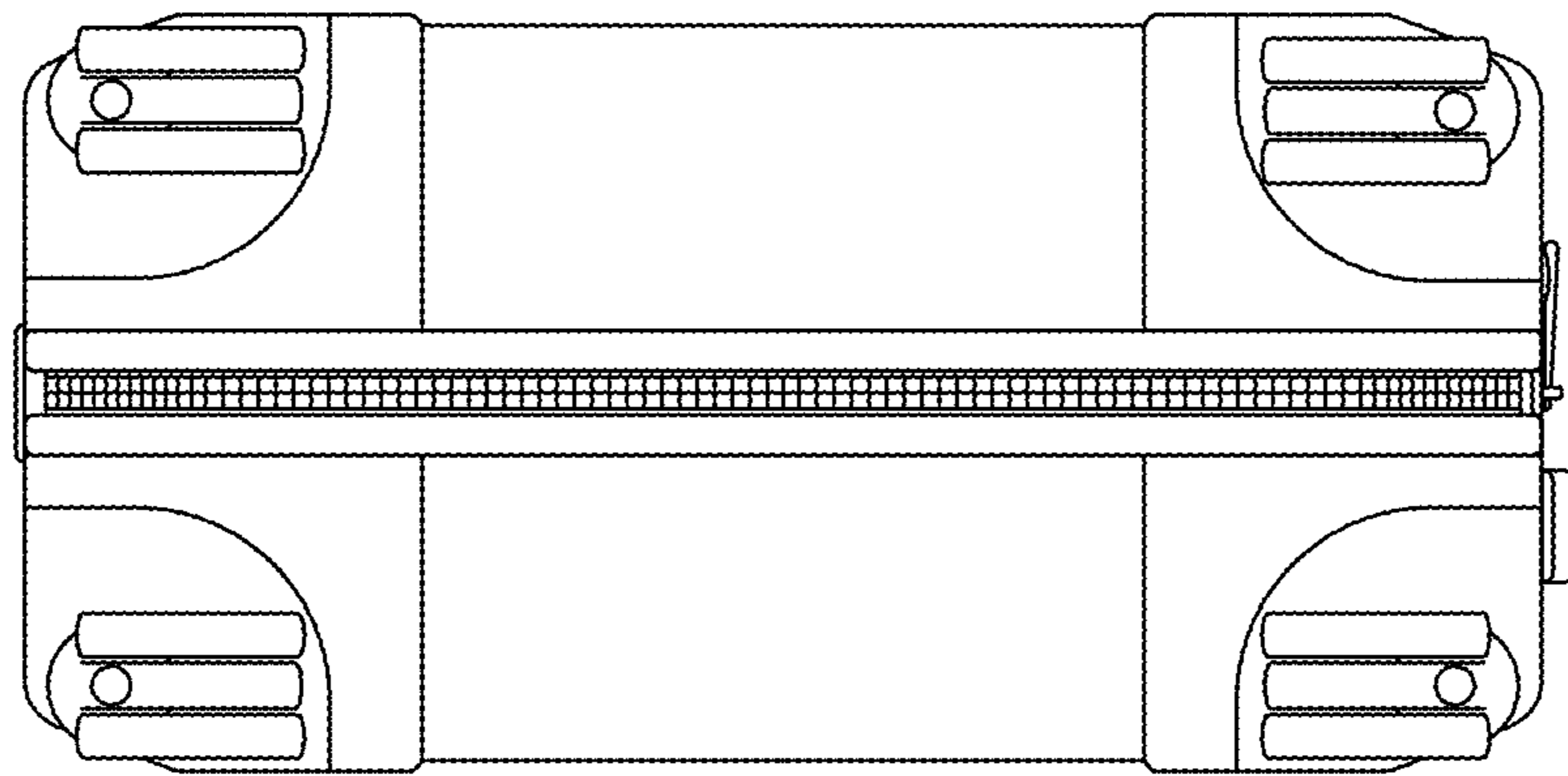


FIG. 5

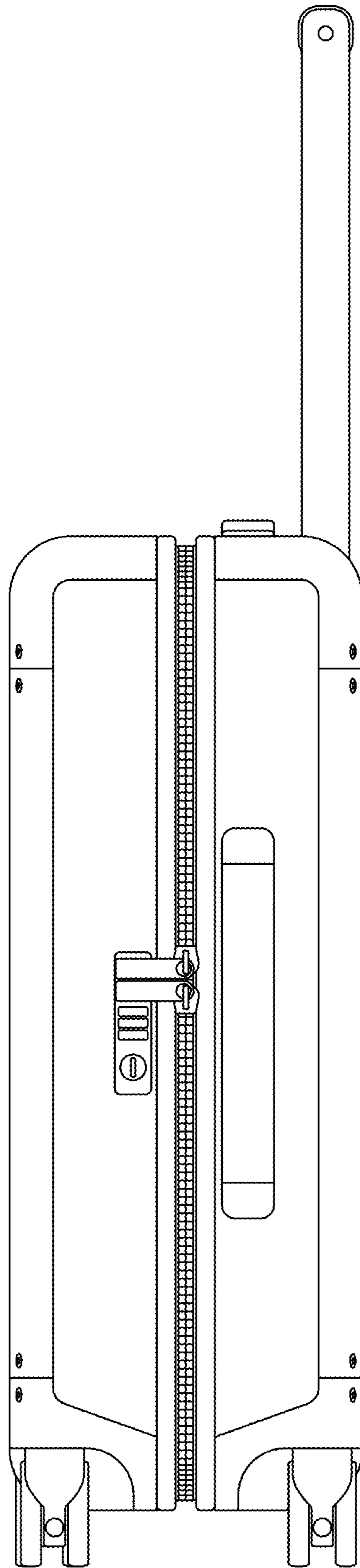


FIG. 6

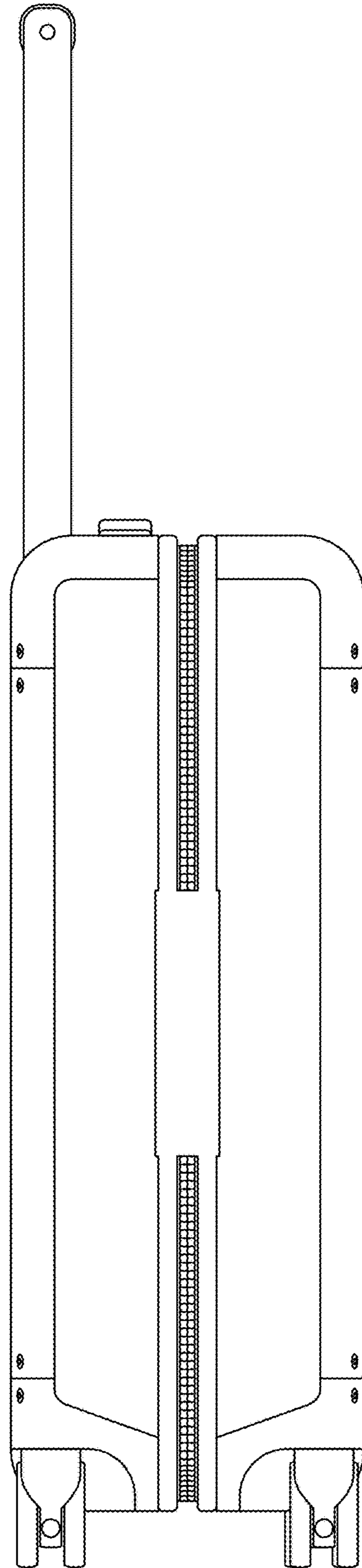


FIG. 7