



US00D793726S

(12) **United States Design Patent** (10) **Patent No.:** **US D793,726 S**
Zhang (45) **Date of Patent:** **** Aug. 8, 2017**

(54) **LEATHER WALLET PHONE CASE**

(71) Applicant: **Yu Long Zhang**, Brooklyn, NY (US)

(72) Inventor: **Yu Long Zhang**, Brooklyn, NY (US)

(**) Term: **15 Years**

(21) Appl. No.: **29/561,980**

(22) Filed: **Apr. 21, 2016**

(51) **LOC (10) Cl.** **03-01**

(52) **U.S. Cl.**
USPC **D3/249**

(58) **Field of Classification Search**
USPC D3/247, 249–253
CPC A45C 1/06; A45C 3/08
See application file for complete search history.

(56) **References Cited**

U.S. PATENT DOCUMENTS

D359,310 S *	6/1995	Su	D19/26
D414,033 S *	9/1999	Rohm	D3/201
D482,162 S *	11/2003	Bostroem	D28/77
D511,038 S *	11/2005	Schrey	D3/249
D738,620 S *	9/2015	Schmole	D3/249
D750,888 S *	3/2016	Johnson	D3/249

* cited by examiner

Primary Examiner — Holly Baynham

(74) *Attorney, Agent, or Firm* — Gary E. Lambert; David J. Connaughton, Jr.; Lambert & Associates

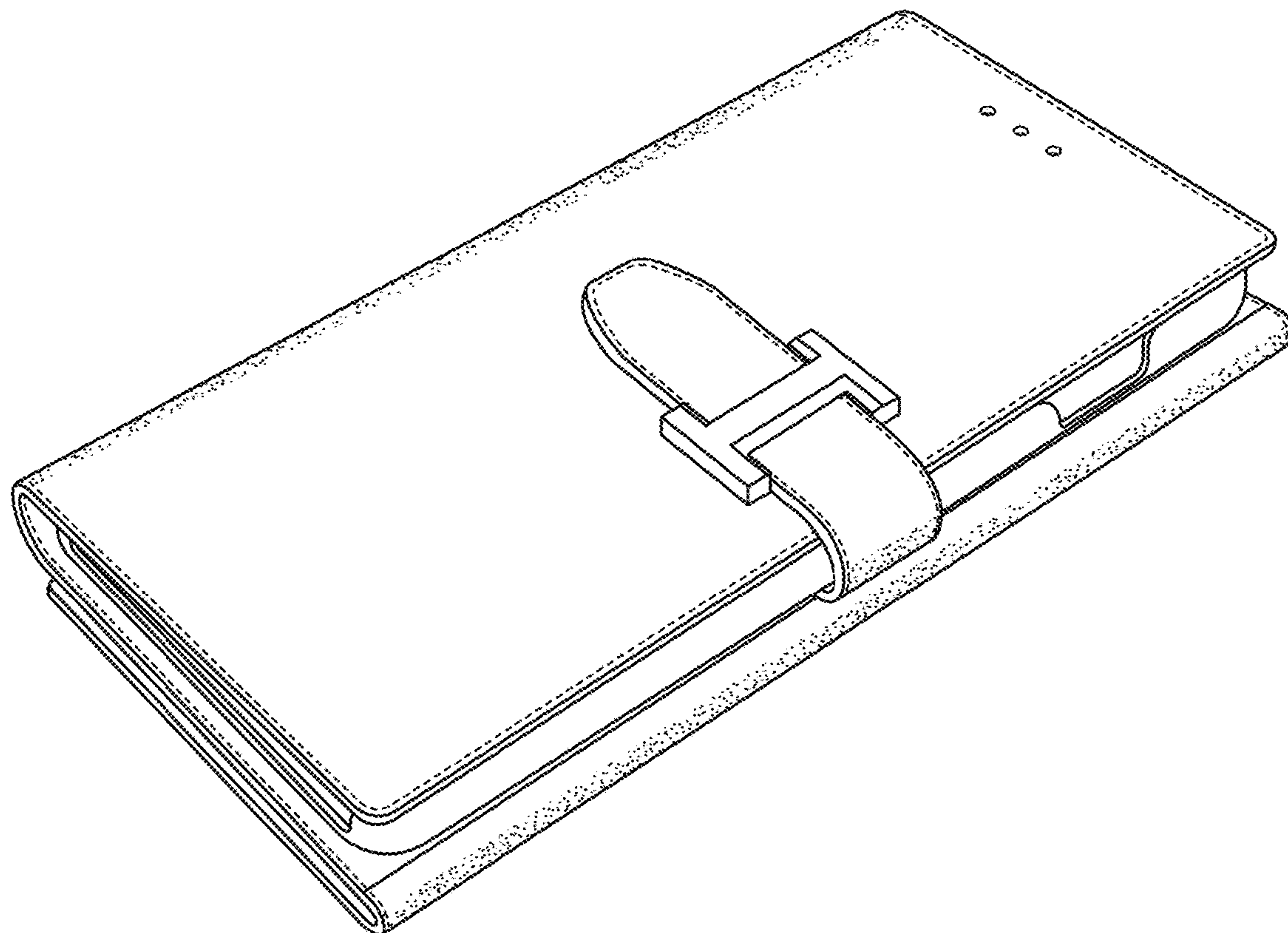
(57) **CLAIM**

The ornamental design for a leather wallet phone case, as shown and described.

DESCRIPTION

FIG. 1 is a front isometric view of the leather wallet phone case, which embodies my design;
FIG. 2 is a back isometric view of the leather wallet phone case;
FIG. 3 is a top plan view of the leather wallet phone case;
FIG. 4 is a bottom plan view of the leather wallet phone case;
FIG. 5 is front side view of the leather wallet phone case;
FIG. 6 is a back side view of the leather wallet phone case;
FIG. 7 is a right side view of the leather wallet phone case;
FIG. 8 is a left side view of the leather wallet phone case;
FIG. 9 is an exploded isometric view of the leather wallet phone case; and,
FIG. 10 is an exploded isometric view of the leather wallet phone case.
The broken lines representing stitching are part of the claimed design.

1 Claim, 5 Drawing Sheets



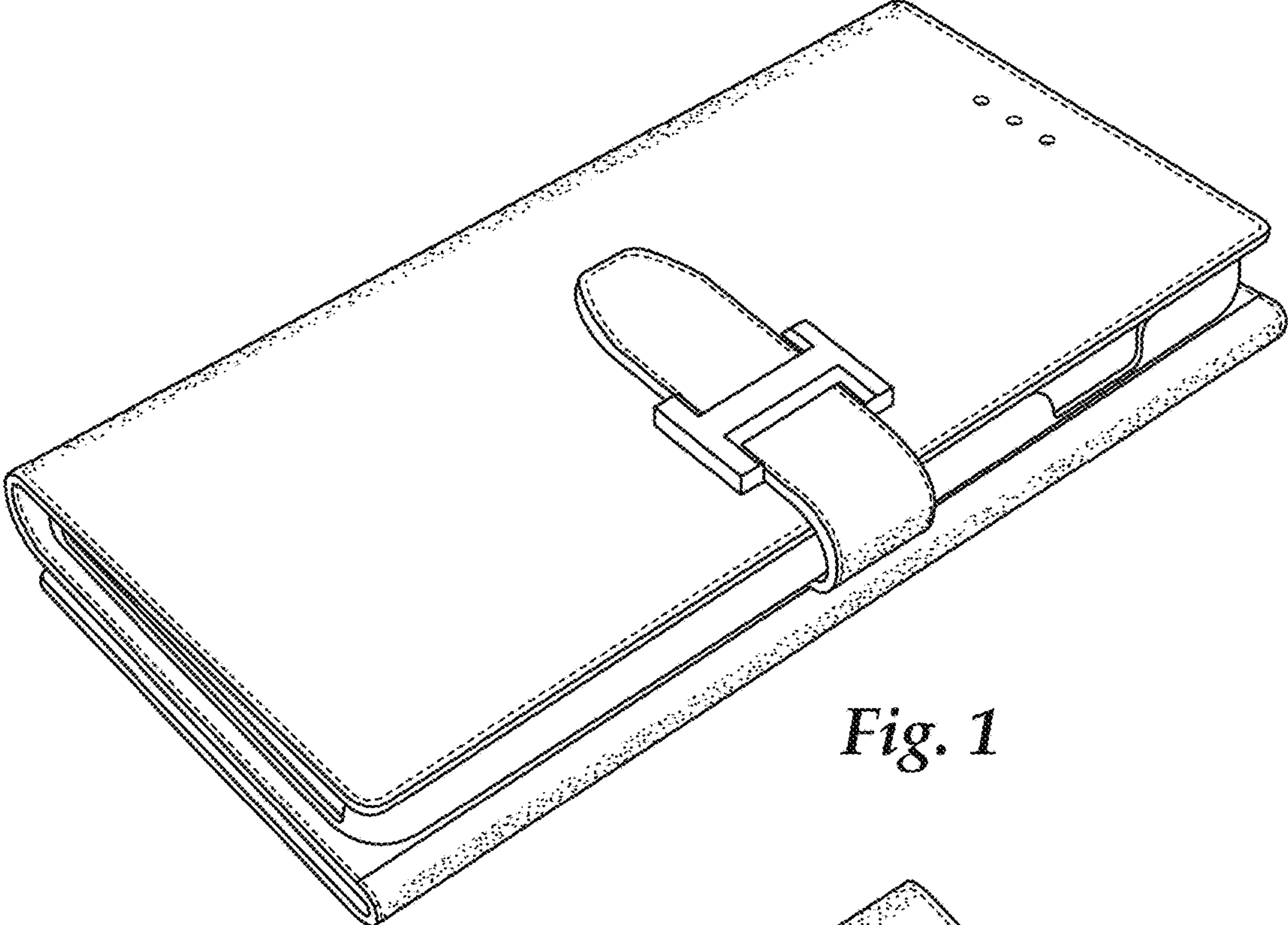


Fig. 1

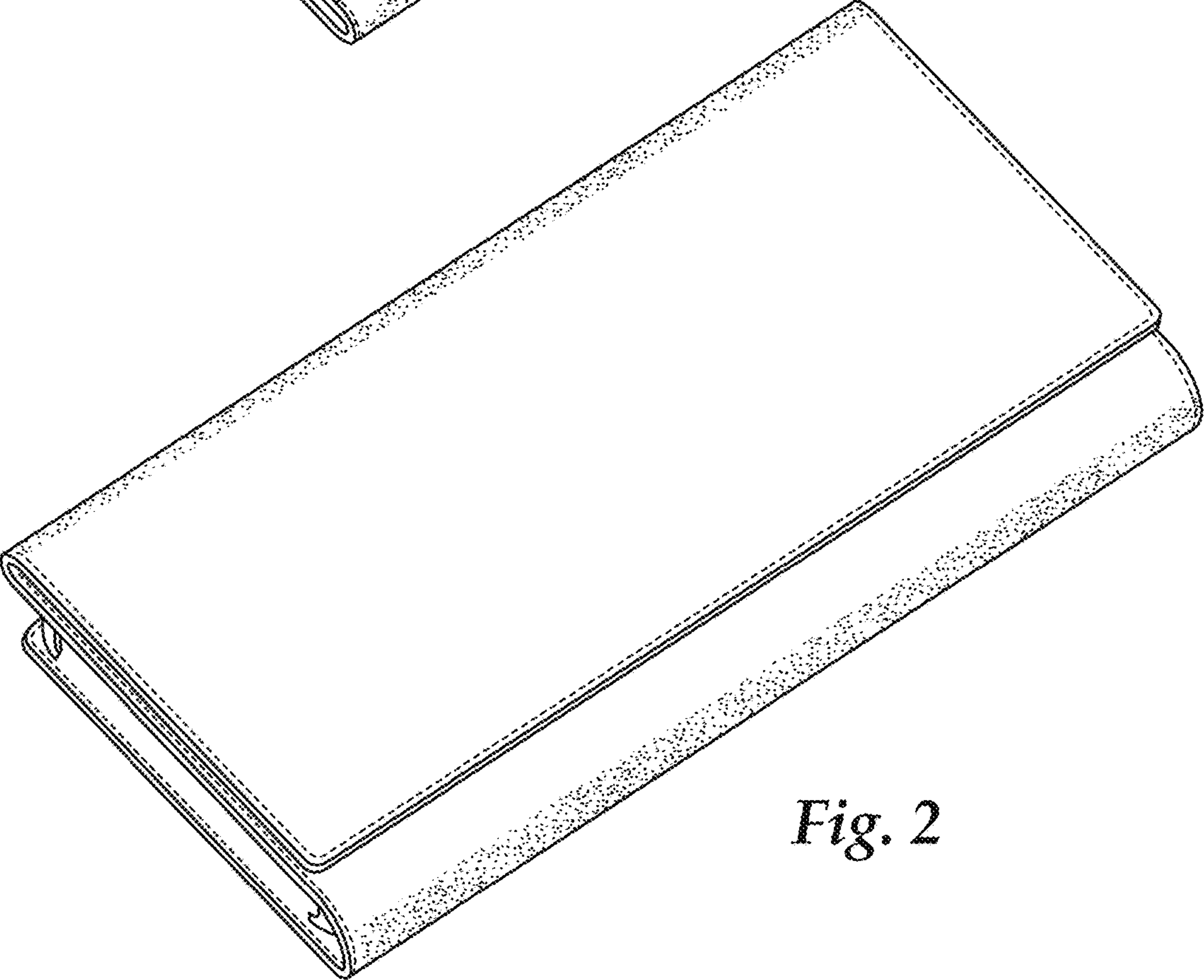


Fig. 2

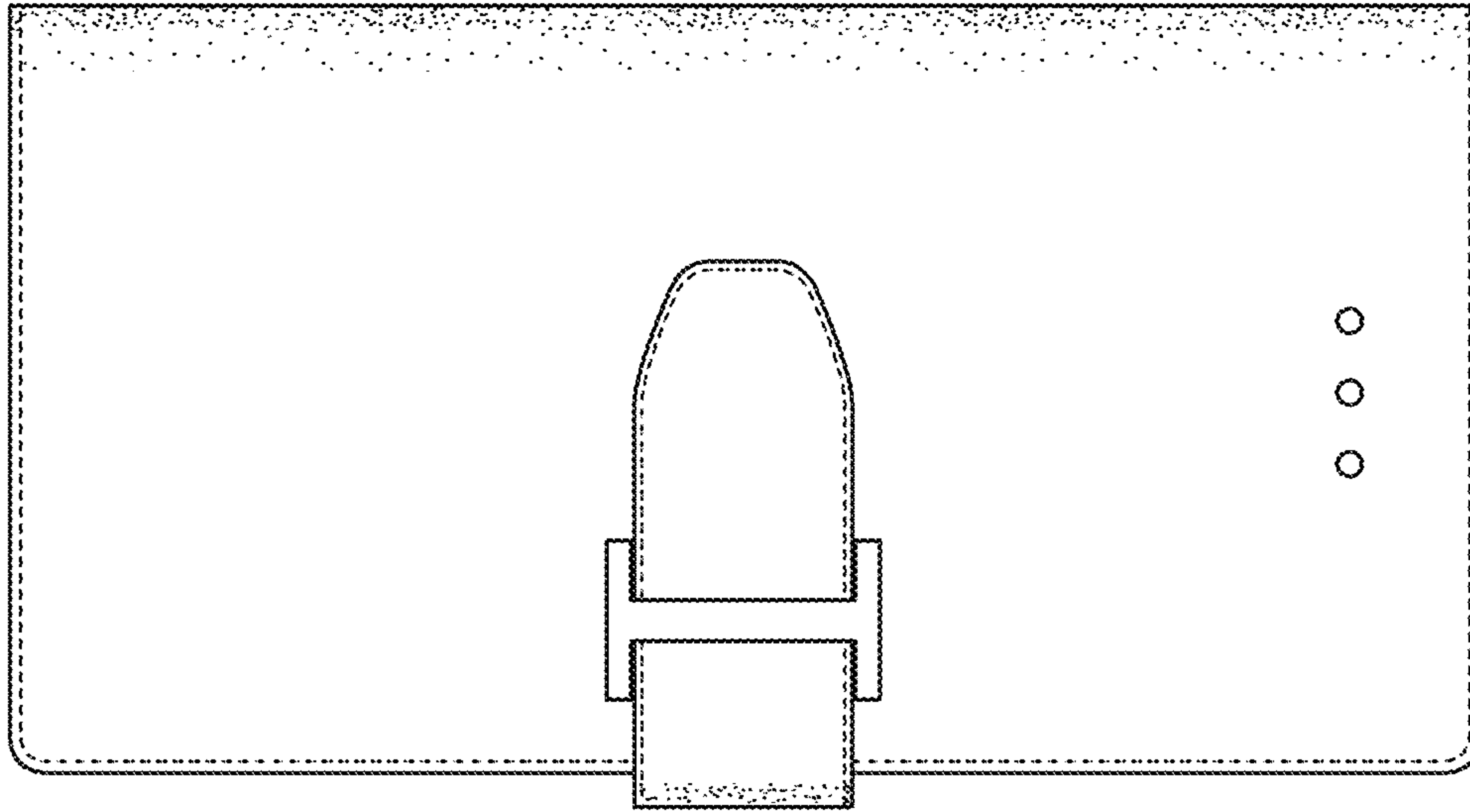


Fig. 3

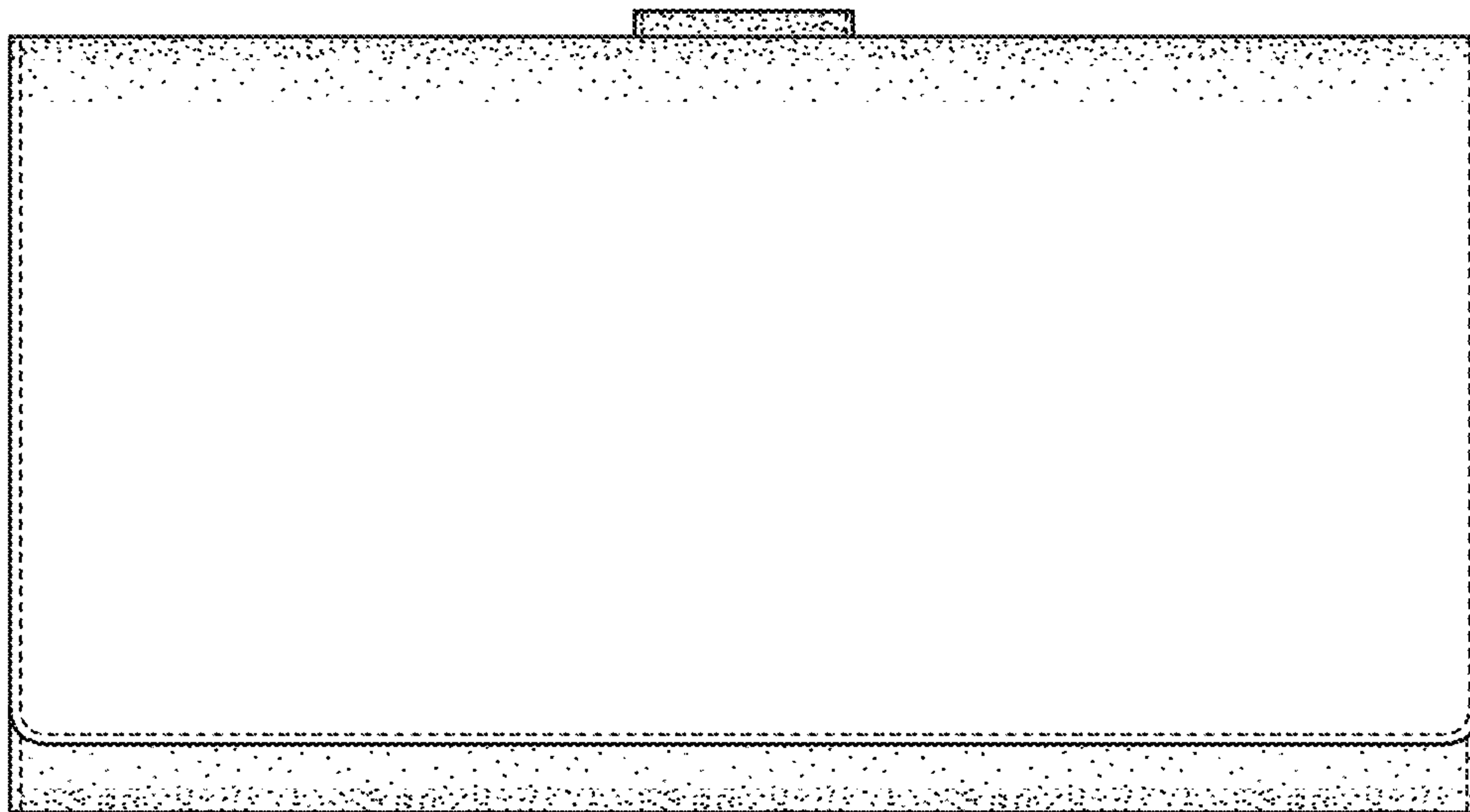


Fig. 4



Fig. 5

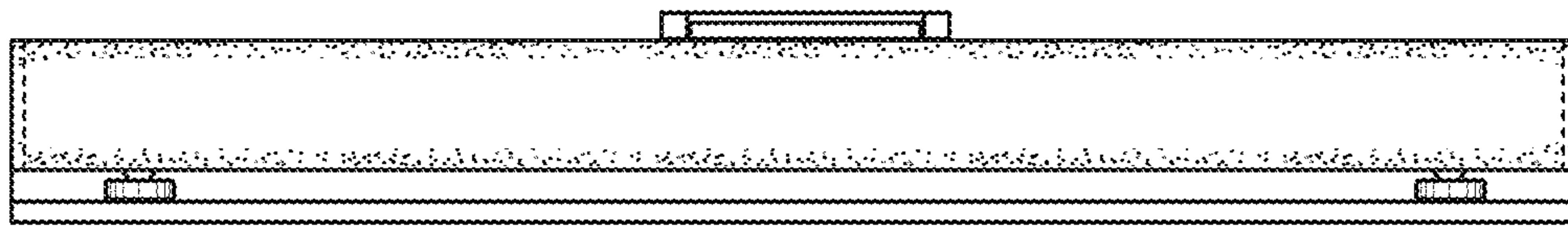


Fig. 6

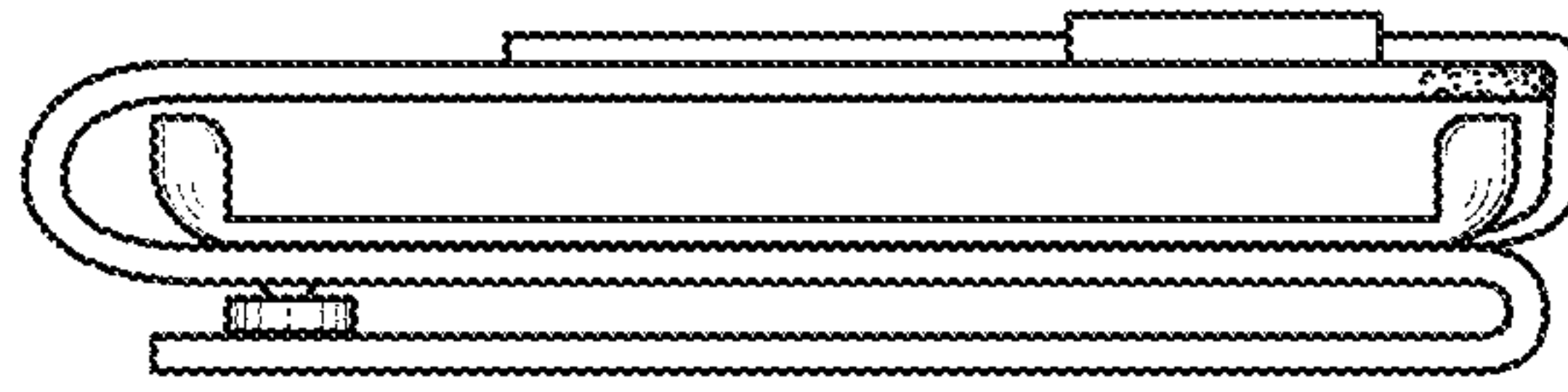


Fig. 7

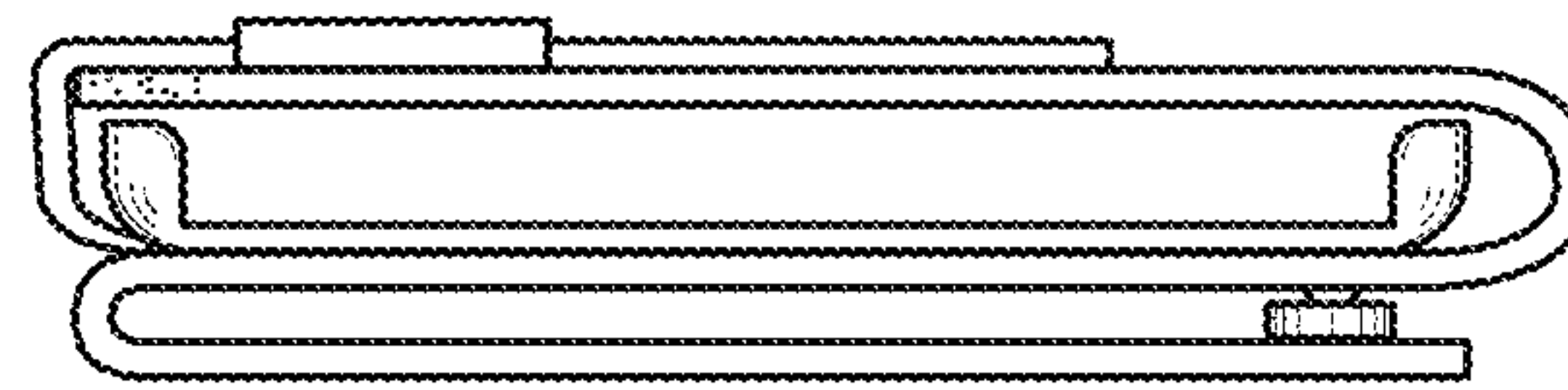


Fig. 8

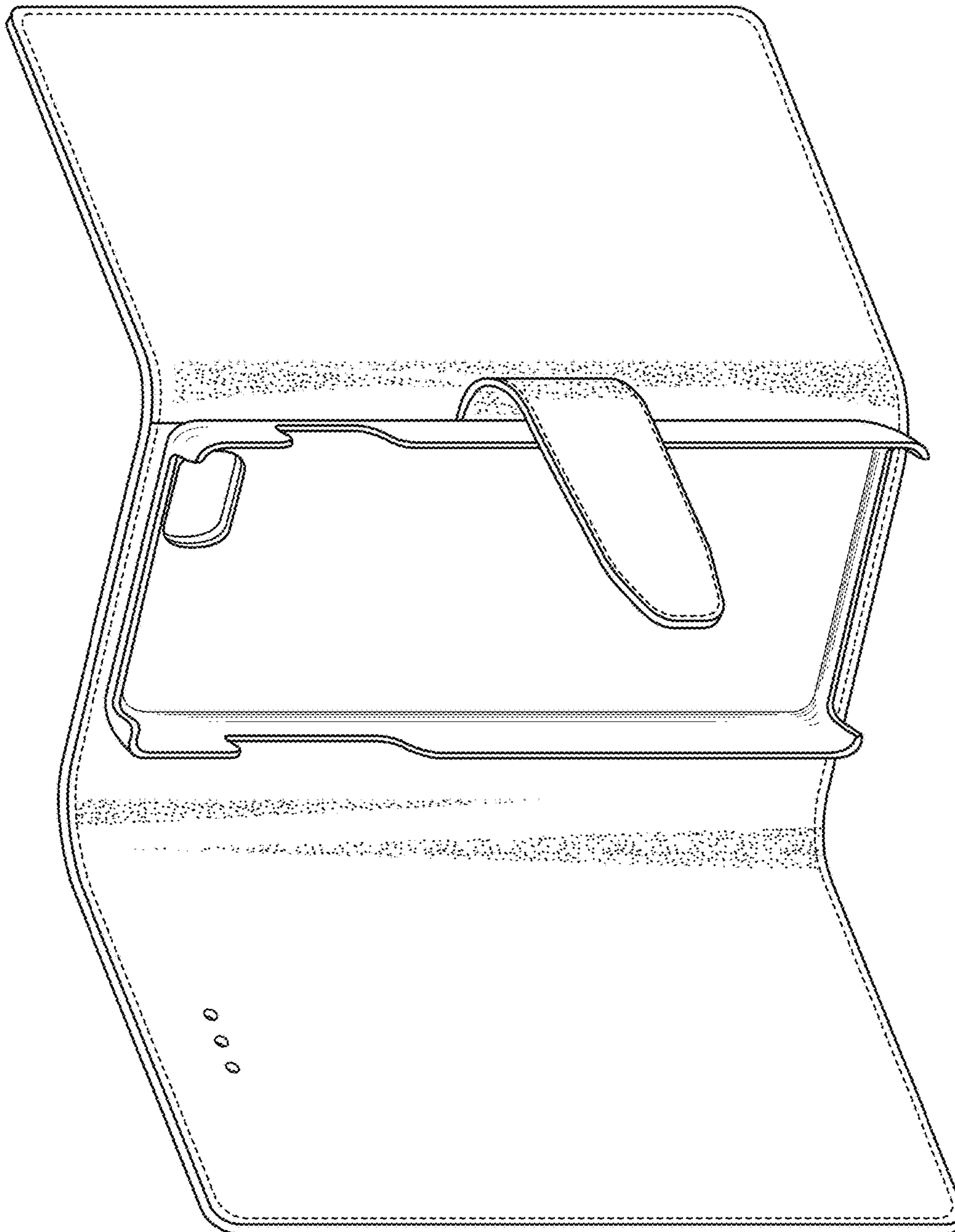


Fig. 9

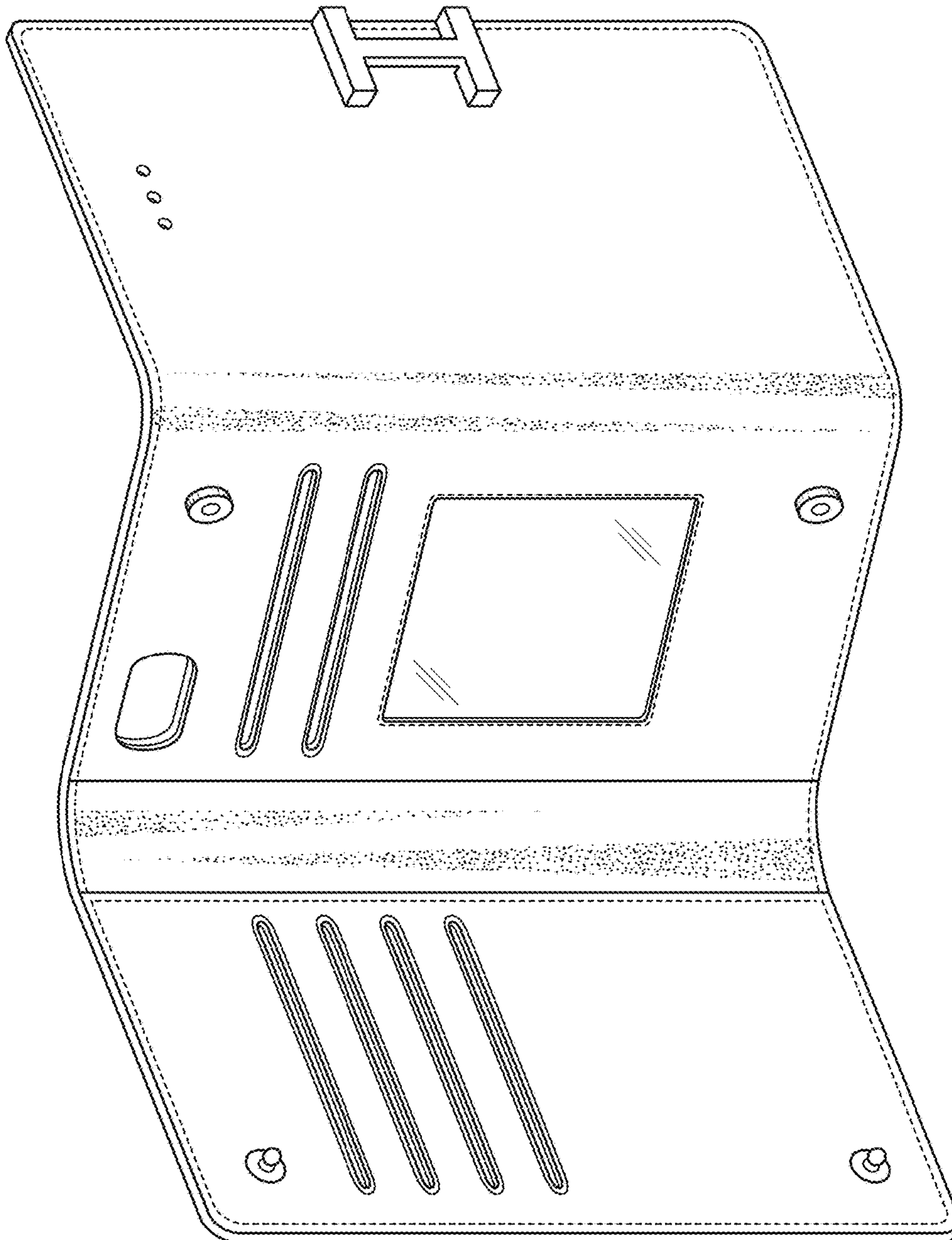


Fig. 10