



US00D793721S

(12) **United States Design Patent**
Frontino

(10) **Patent No.:** **US D793,721 S**

(45) **Date of Patent:** **** Aug. 8, 2017**

(54) **PAINT CAN RECEIVING WRIST SLEEVE WITH ADDITIONAL ATTACHMENT POINTS**

D403,784 S	1/1999	Raines	
D464,484 S	10/2002	Landen	
D594,164 S	6/2009	Lee	
D628,363 S *	12/2010	Bengyak D2/610
8,931,669 B2 *	1/2015	Bajuyo A45F 5/021 224/148.4

(71) Applicant: **Justin Michael Frontino**, Porter, TX (US)

(72) Inventor: **Justin Michael Frontino**, Porter, TX (US)

(**) Term: **15 Years**

(21) Appl. No.: **29/567,206**

(22) Filed: **Jun. 7, 2016**

(51) **LOC (10) Cl.** **03-01**

(52) **U.S. Cl.**
USPC **D3/228**

(58) **Field of Classification Search**
USPC D3/228-229, 215; 222/175, 344, 424.5; 224/148.2, 148.7, 183, 242, 666, 678, 224/904; D2/610, 612-613, 615
CPC A45F 5/021; B44D 3/14
See application file for complete search history.

(56) **References Cited**

U.S. PATENT DOCUMENTS

- | | | | |
|---------------|---------|------------|------------------------------|
| 2,095,351 A * | 10/1937 | Van Winkle | B44D 3/14
222/175 |
| 2,717,109 A * | 9/1955 | Walsh | B44D 3/14
224/148.4 |
| D286,949 S * | 12/1986 | Hardman | D3/229 |
| D296,268 S * | 6/1988 | Bozarth | D3/229 |
| D306,521 S * | 3/1990 | Kenney | D3/215 |
| D353,242 S | 12/1994 | McCoy | |
| D364,949 S | 12/1995 | Birch | |
| 5,471,681 A | 12/1995 | Ferrini | |
| D368,158 S | 3/1996 | Dancyger | |

* cited by examiner

Primary Examiner — Catheri Oliver-Garcia
(74) *Attorney, Agent, or Firm* — William C. Yarbrough, III

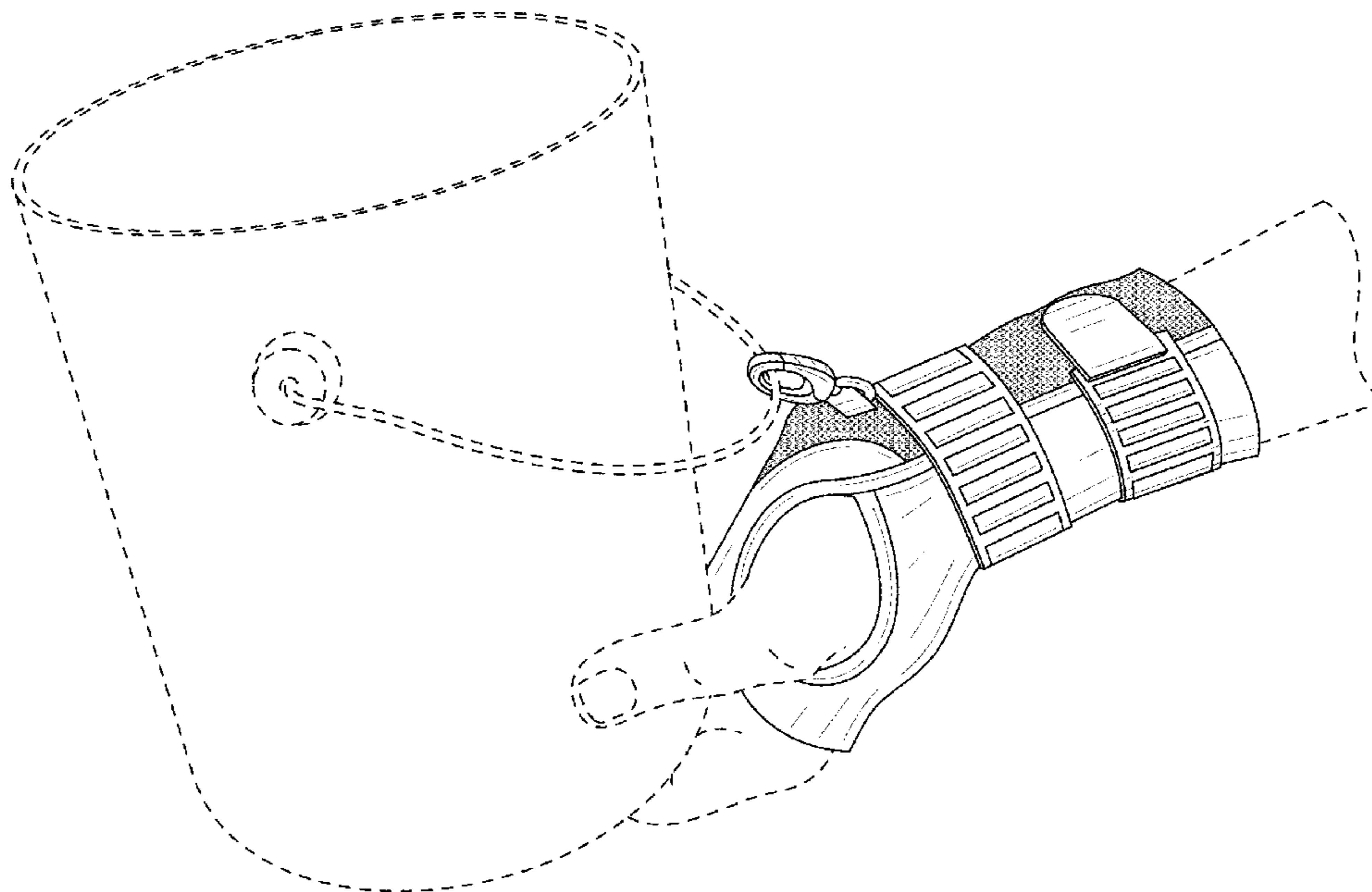
(57) **CLAIM**

The ornamental design for a paint can receiving wrist sleeve with additional attachment points, as shown and described.

DESCRIPTION

FIG. 1 is a perspective view of a wrist sleeve showing my new design;
 FIG. 2 is a top view of the wrist sleeve;
 FIG. 3 is a bottom view of the wrist sleeve;
 FIG. 4 is a front view of the wrist sleeve;
 FIG. 5 is a rear view of the wrist sleeve;
 FIG. 6 is a right side view of the wrist sleeve;
 FIG. 7 is a left side view of the wrist sleeve;
 FIG. 8 is a perspective view of the wrist sleeve attached to apex of a downwardly positioned bale handle of a paint can;
 FIG. 9 is a perspective view of the wrist sleeve attached to the pivotal attachment point of a downwardly positioned bale handle of a paint can; and,
 FIG. 10 is a perspective view of the wrist sleeve attached to the apex of an upwardly positioned bale handle of a paint can.
 The broken lines depict environmental structure and are for illustrative purposes only and form no part of the claimed design.

1 Claim, 8 Drawing Sheets



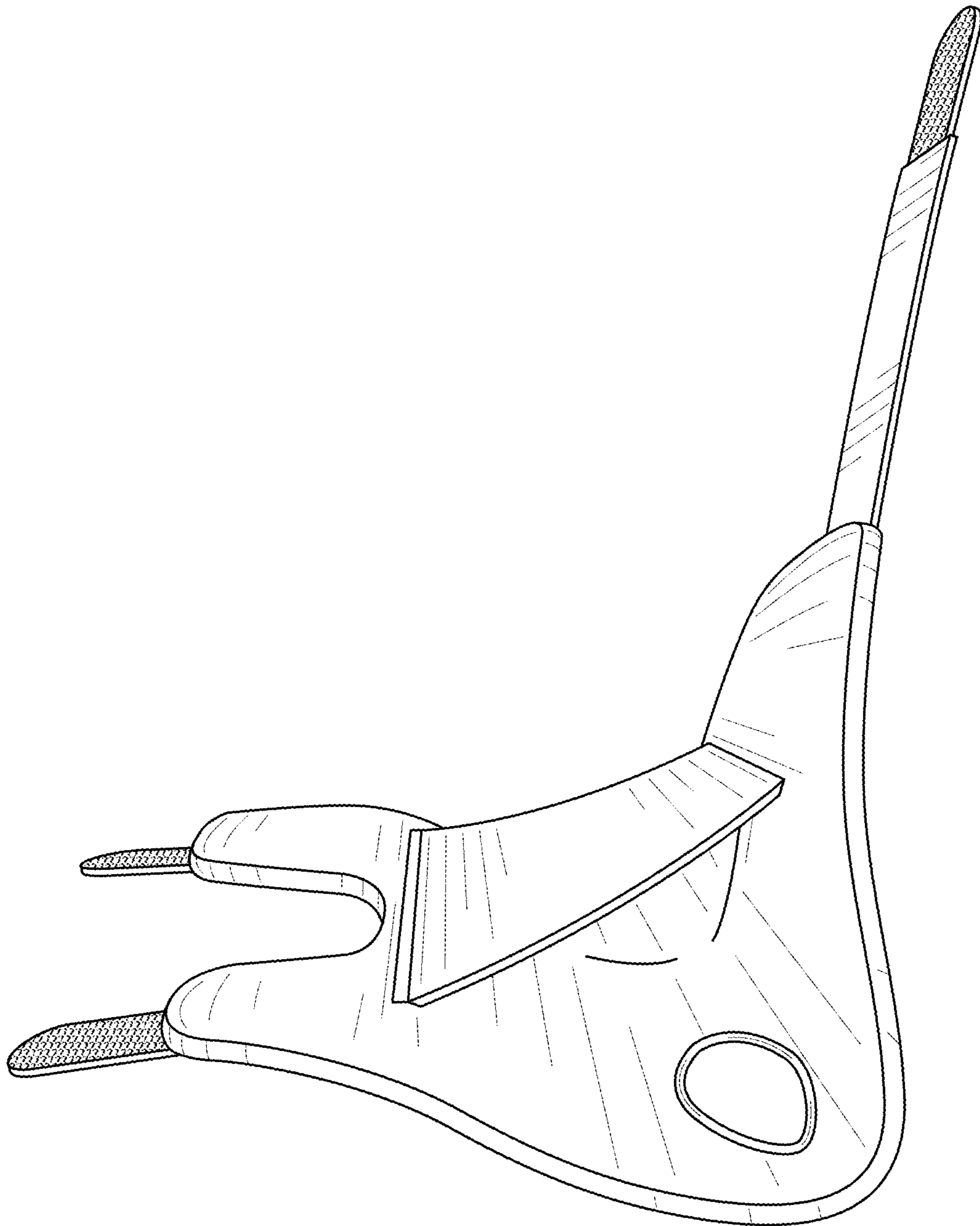


FIG. 1

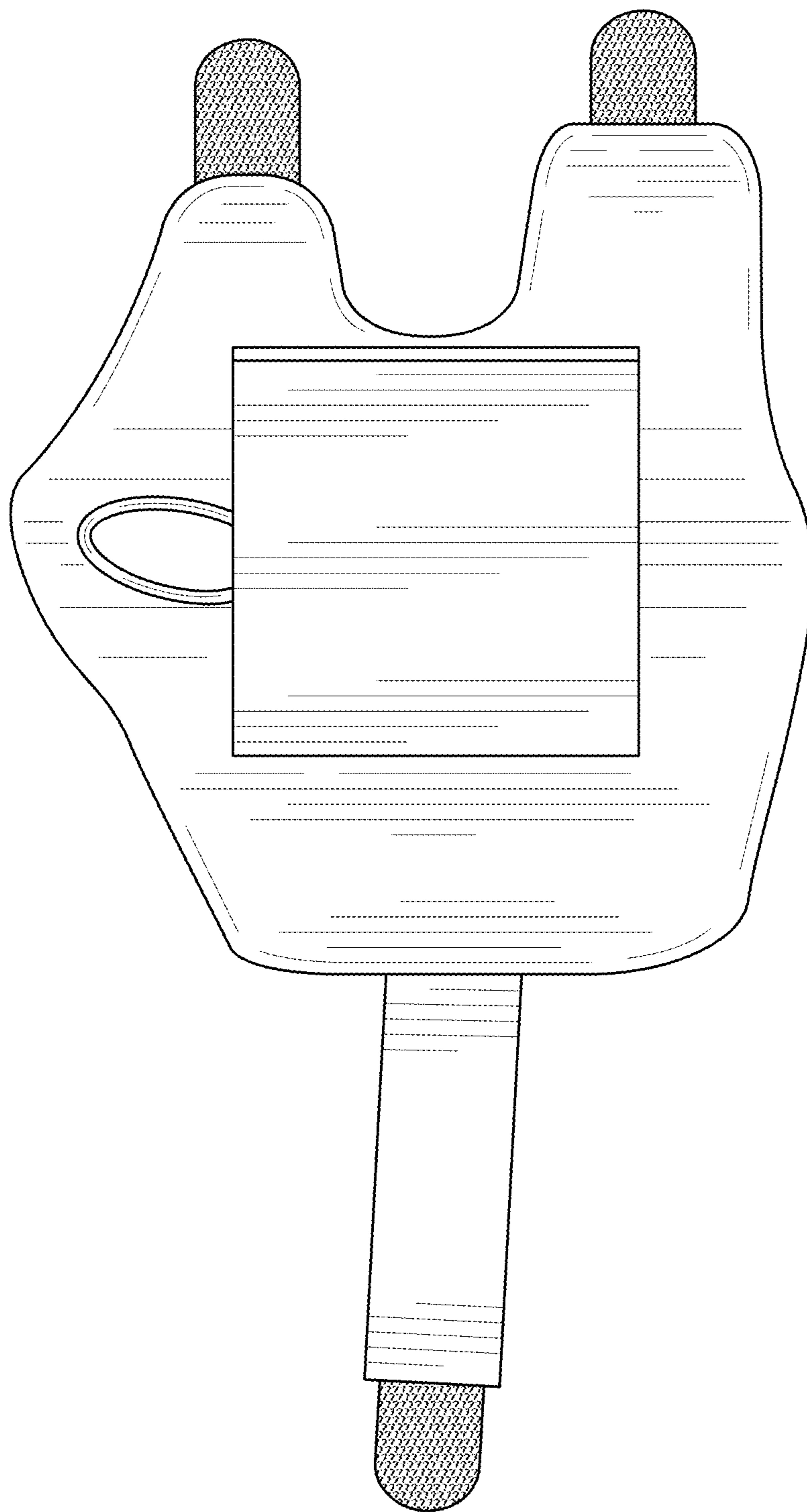


FIG. 2

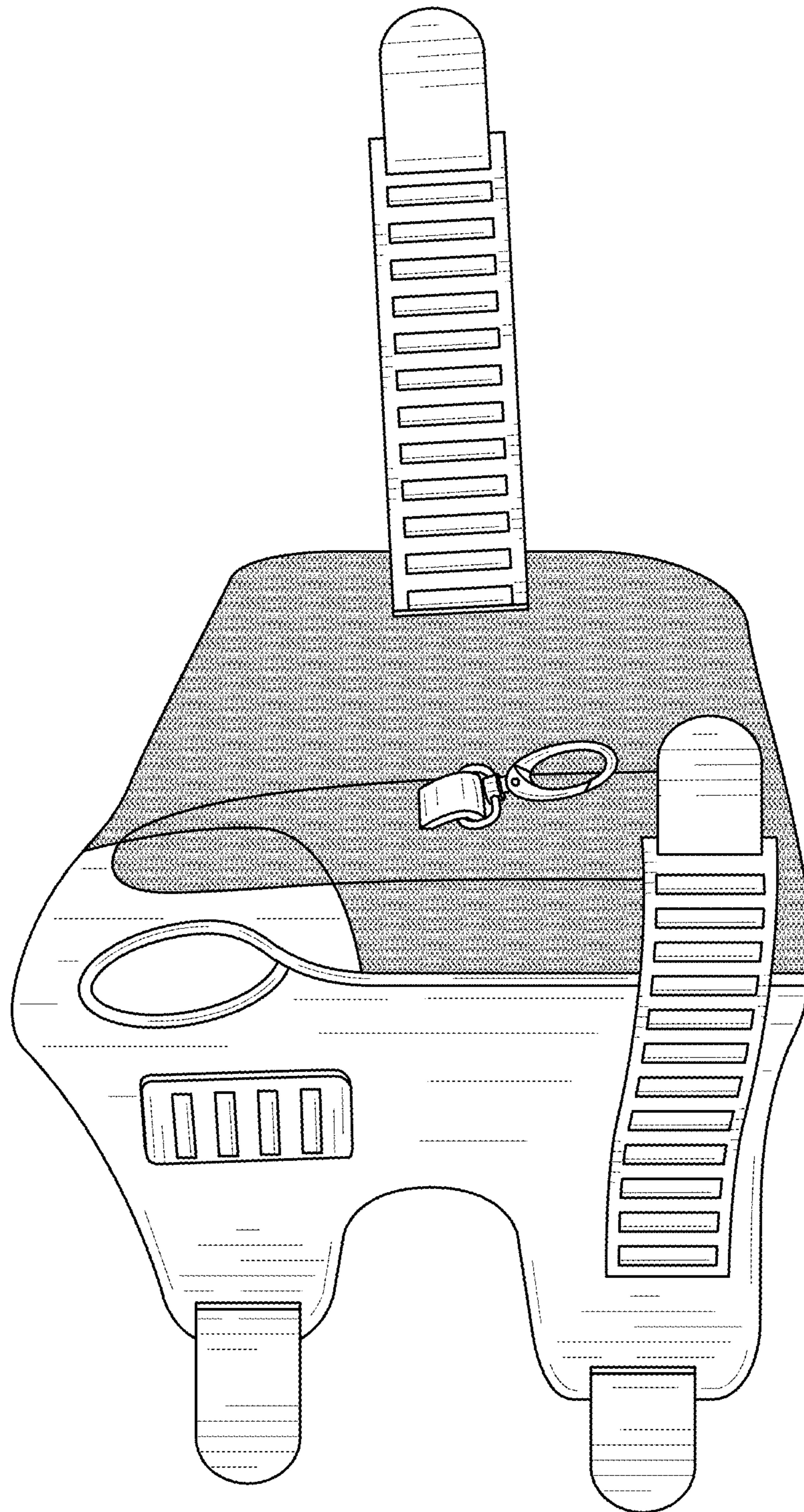


FIG. 3

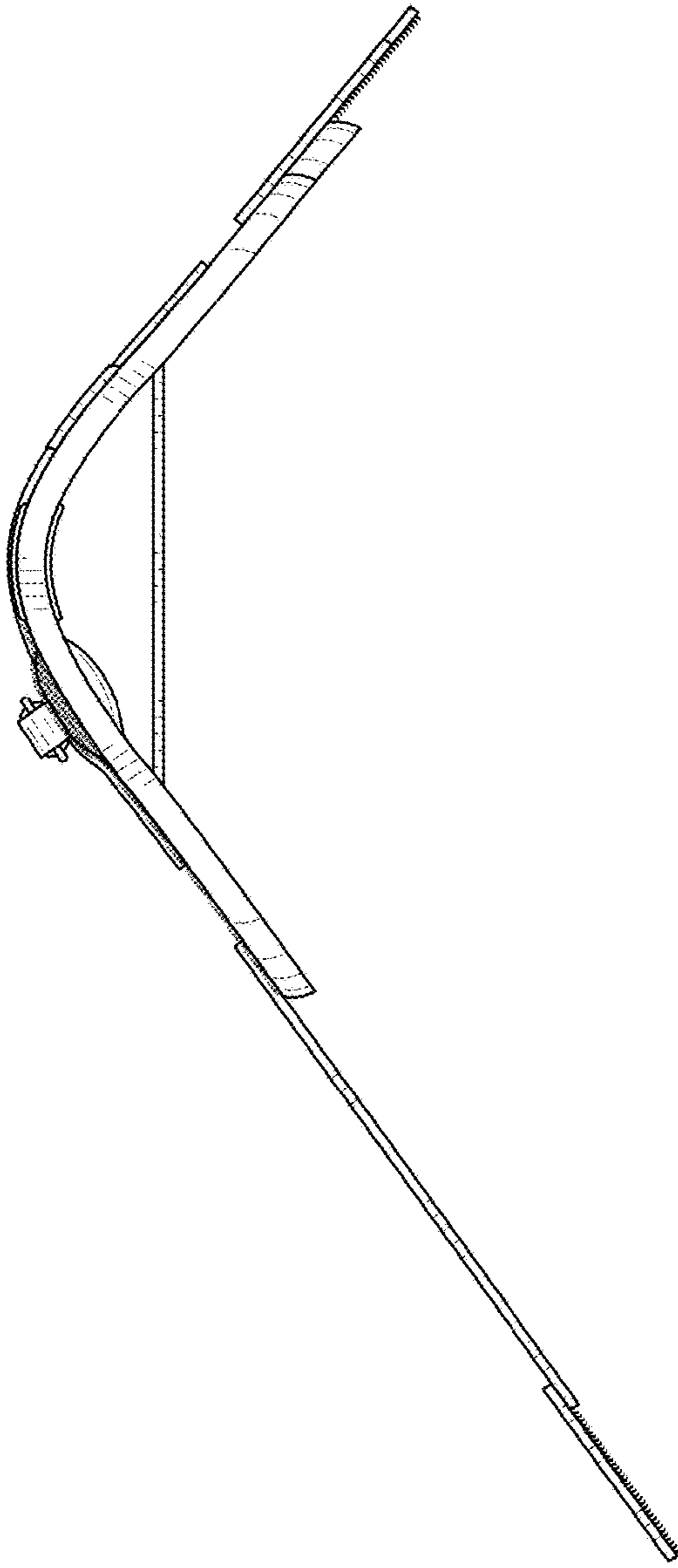


FIG. 4

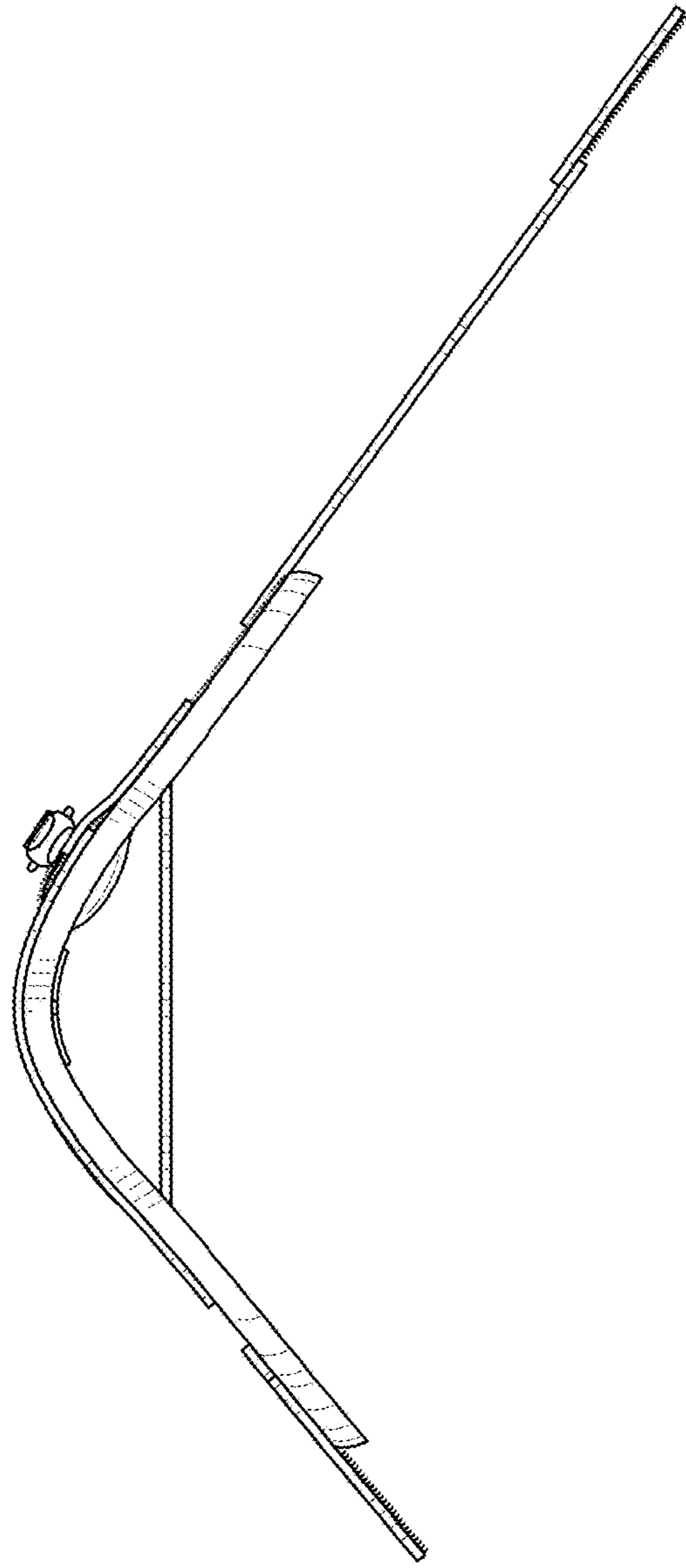


FIG. 5

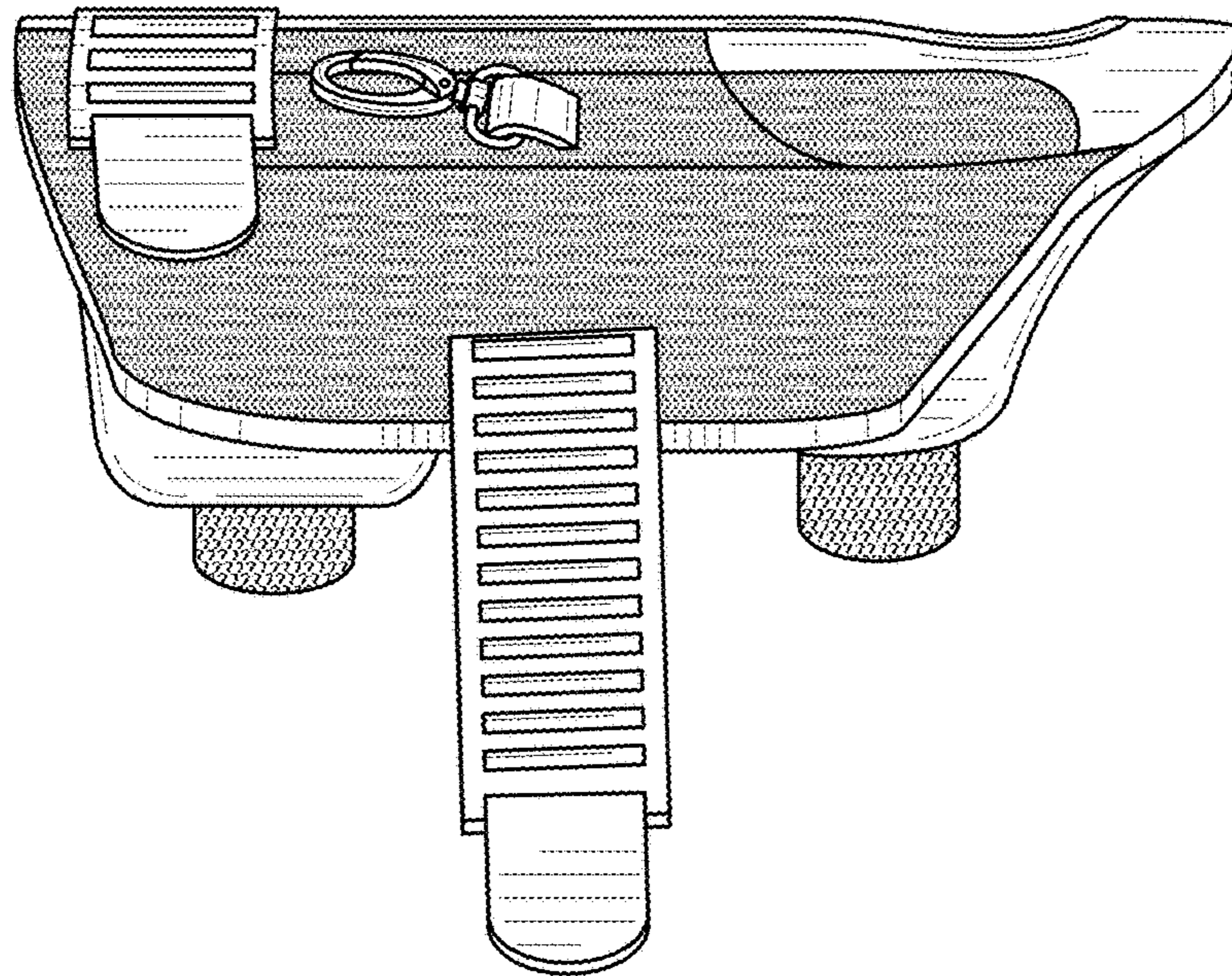


FIG. 6

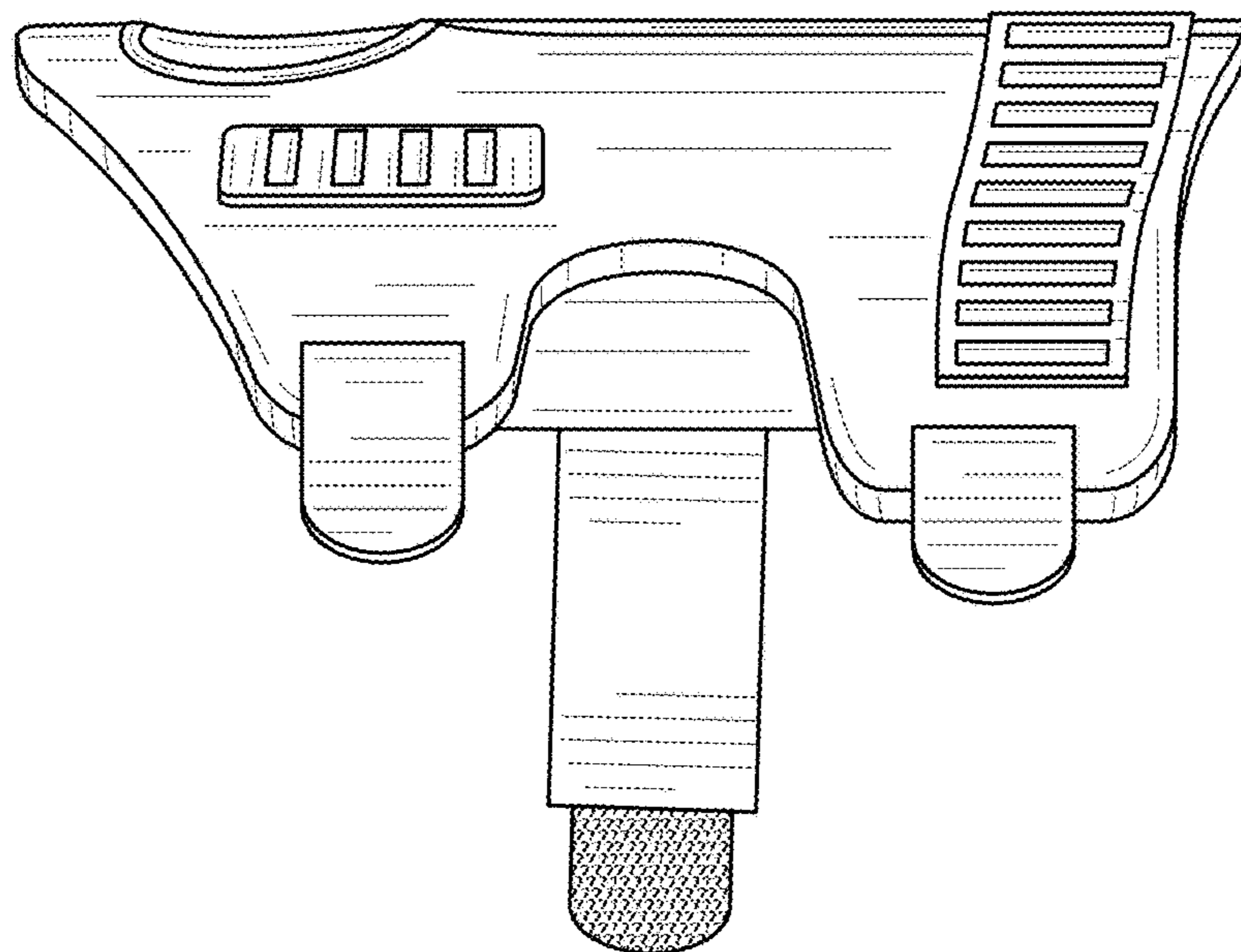


FIG. 7

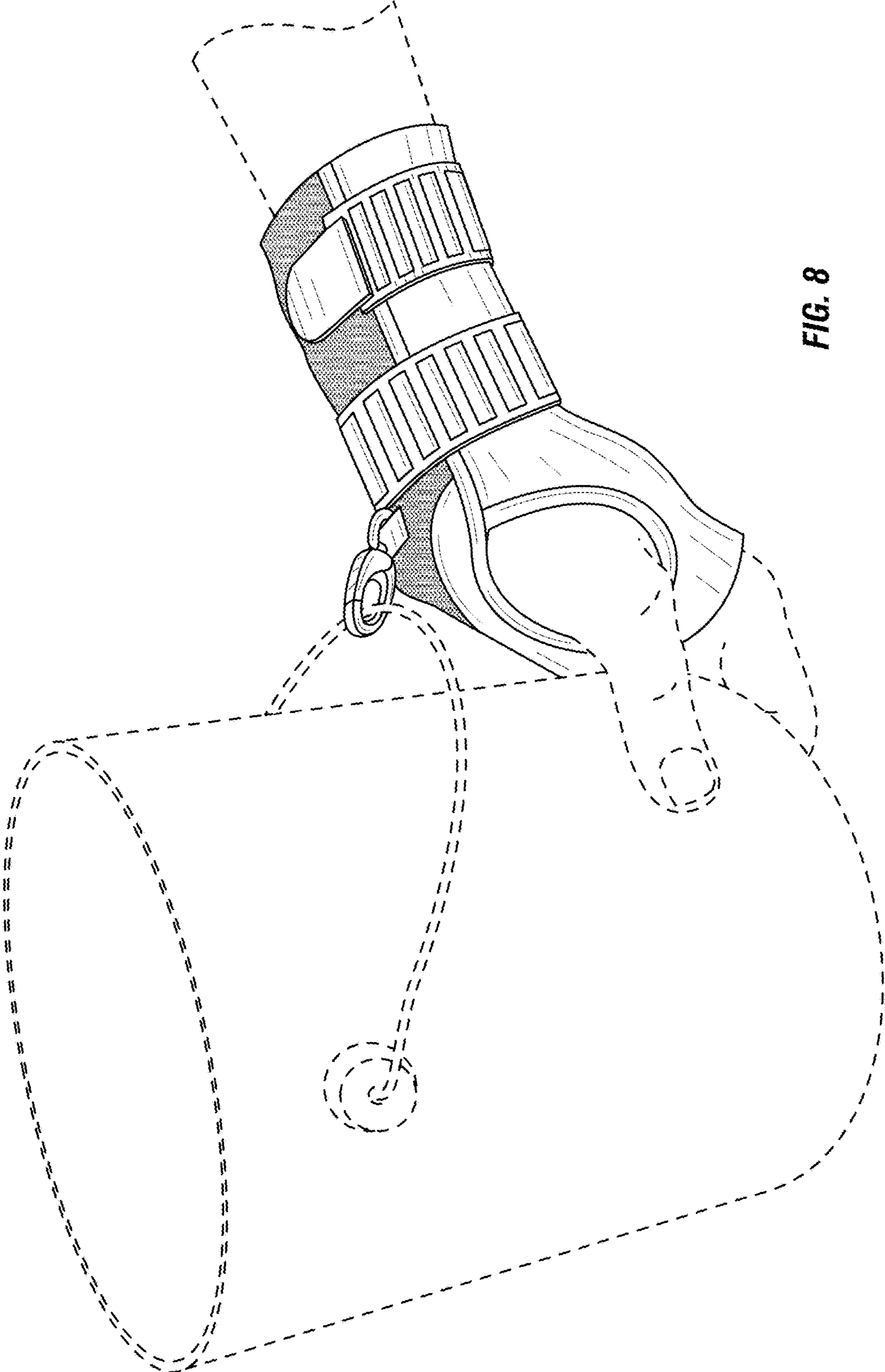


FIG. 8

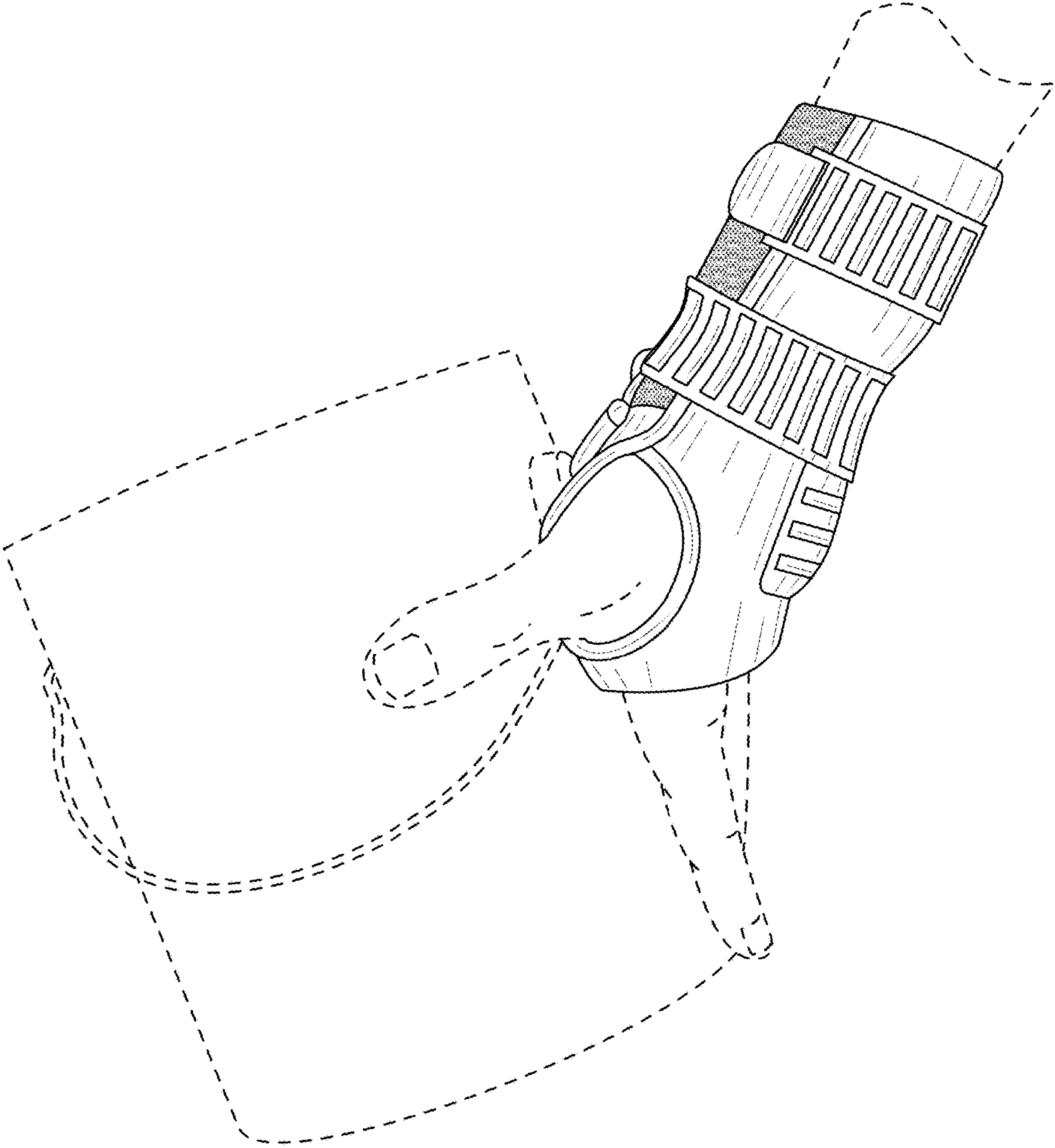


FIG. 9

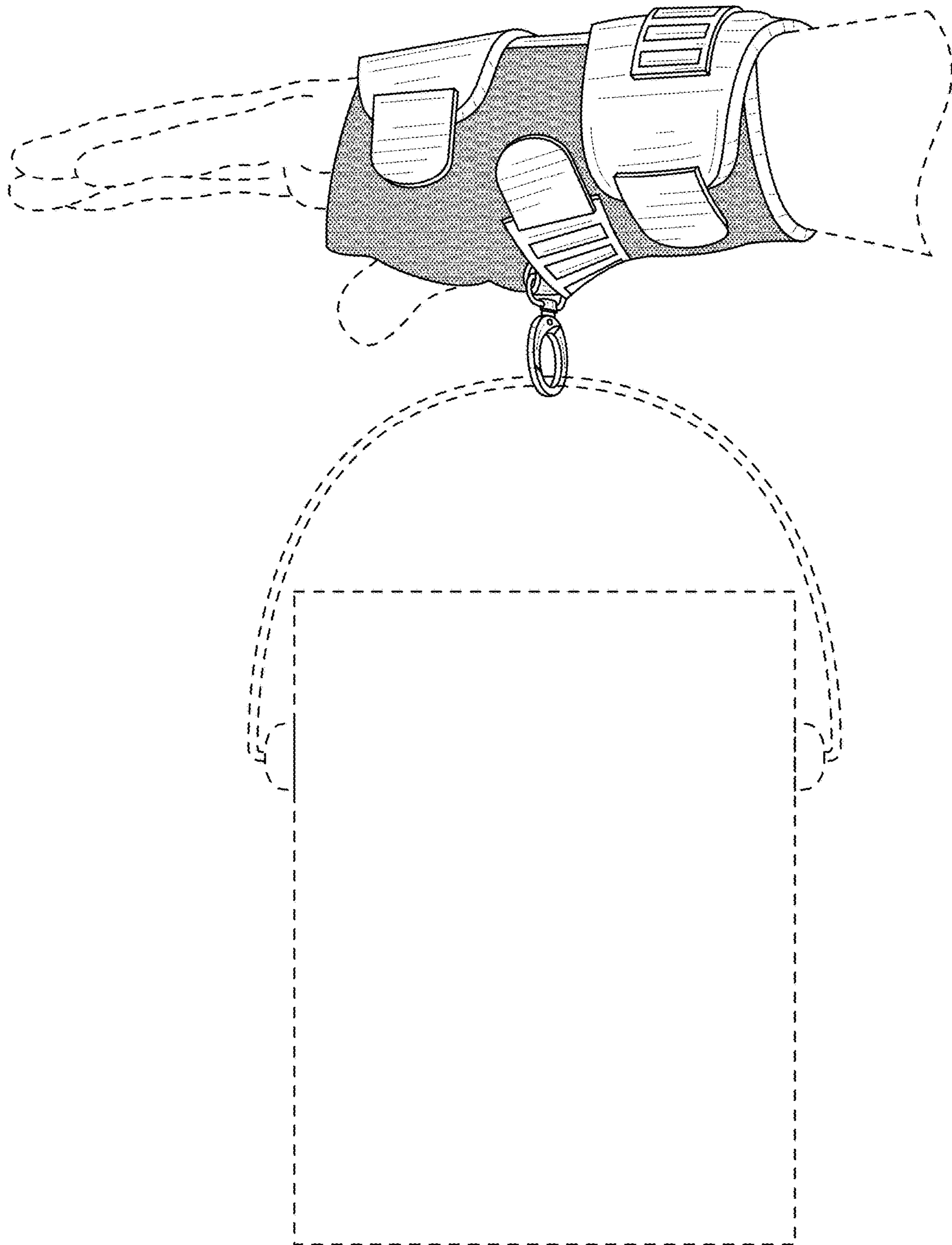


FIG. 10