



US00D793720S

(12) **United States Design Patent**
Tien

(10) **Patent No.:** **US D793,720 S**

(45) **Date of Patent:** **** Aug. 8, 2017**

(54) **HALF ZIPPER BAG**

(71) Applicant: **Spencer Tien**, Irwindale, CA (US)

(72) Inventor: **Spencer Tien**, Irwindale, CA (US)

(**) Term: **15 Years**

(21) Appl. No.: **29/570,394**

(22) Filed: **Jul. 7, 2016**

(51) **LOC (10) Cl.** **03-01**

(52) **U.S. Cl.**

USPC **D3/226**

(58) **Field of Classification Search**

USPC D3/100, 104, 105, 106, 213, 214, 215,
D3/218, 219, 224, 226, 232, 243, 247,
D3/248, 265, 266, 267, 268; 150/106,
150/117, 118, 139, 143; 206/5, 5.1,
206/316.1, 545; D2/630; 248/902;
224/148, 205, 918, 919, 224, 226, 227,
224/236, 240, 242, 245, 247, 248, 250,
224/151, 252, 253, 662, 664, 665, 679,
224/271, 681, 904, 907, 911
CPC A45F 3/00; A45F 5/021; A45F 5/02; A45F
3/005; A45F 4/02; A45F 5/00; A61F
5/028; A61F 5/34; A45C 13/021

See application file for complete search history.

(56) **References Cited**

U.S. PATENT DOCUMENTS

D238,725 S * 2/1976 Zerobnick 224/679
4,515,300 A * 5/1985 Cohen A45C 1/04
224/153
5,009,222 A * 4/1991 Her A45C 11/22
206/811
5,150,824 A * 9/1992 Alvarez A45F 3/02
224/586
D334,471 S * 4/1993 Yerby D3/226
5,209,385 A * 5/1993 Ledesma A45C 1/04
224/223

D347,940 S * 6/1994 Linscott D3/226
5,374,919 A * 12/1994 Zelka G08B 15/004
224/196
D355,070 S * 2/1995 Thiessen D3/226
5,397,040 A * 3/1995 Lee A01K 97/06
206/315.11
D358,252 S * 5/1995 Harris, Jr. D3/226
5,499,401 A * 3/1996 Heinmiller A41D 13/081
2/208
D371,905 S * 7/1996 Kopel D3/226
D374,983 S * 10/1996 Brucki D3/226

(Continued)

OTHER PUBLICATIONS

Jansport Hippyland Black & Gold Fanny Pack, Zumiez.com,
[online], [site visited May 9, 2017]. <URL: <http://www.zumiez.com/jansport-hippyland-black-gold-fanny-pack.html>>.*

(Continued)

Primary Examiner — T. Chase Nelson

Assistant Examiner — Jonathan J. Han

(74) *Attorney, Agent, or Firm* — Clement Cheng

(57) **CLAIM**

The ornamental design for a half zipper bag, as shown and described.

DESCRIPTION

FIG. 1 is a perspective view.

FIG. 2 is a front view.

FIG. 3 is a rear view.

FIG. 4 is a left side view.

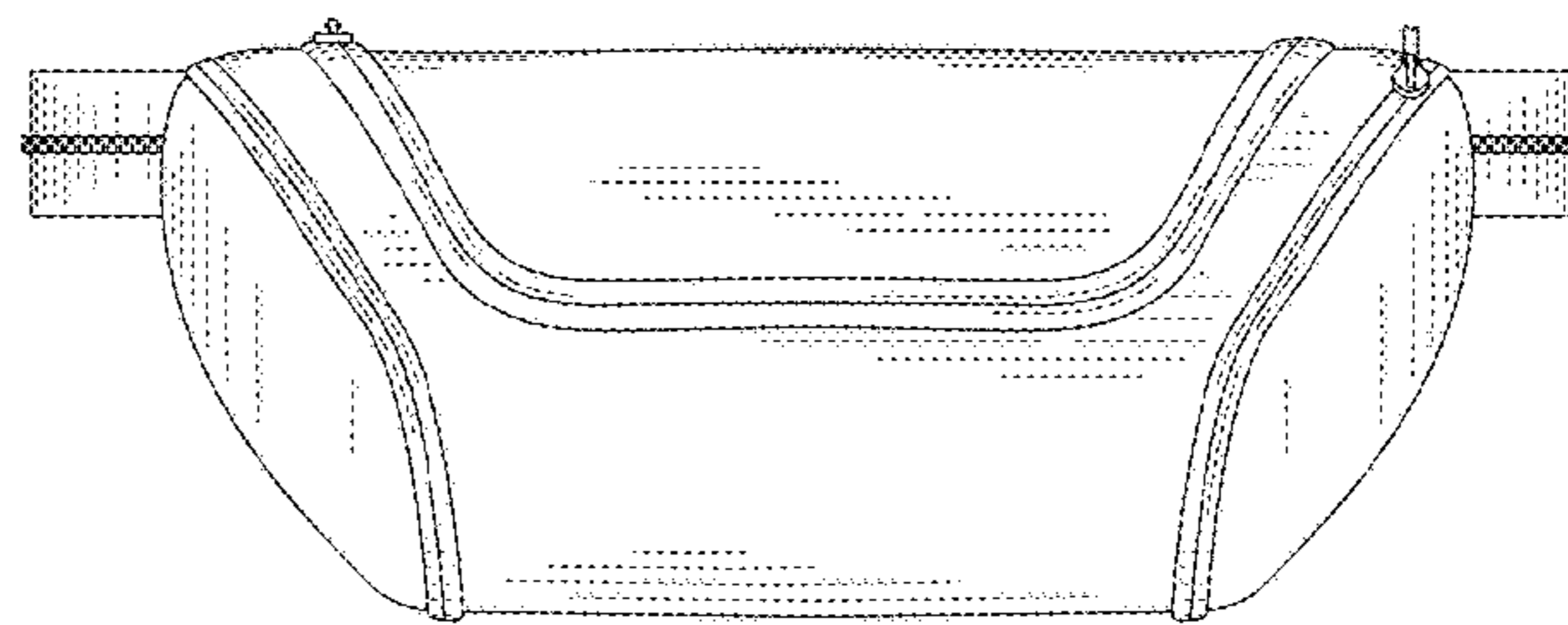
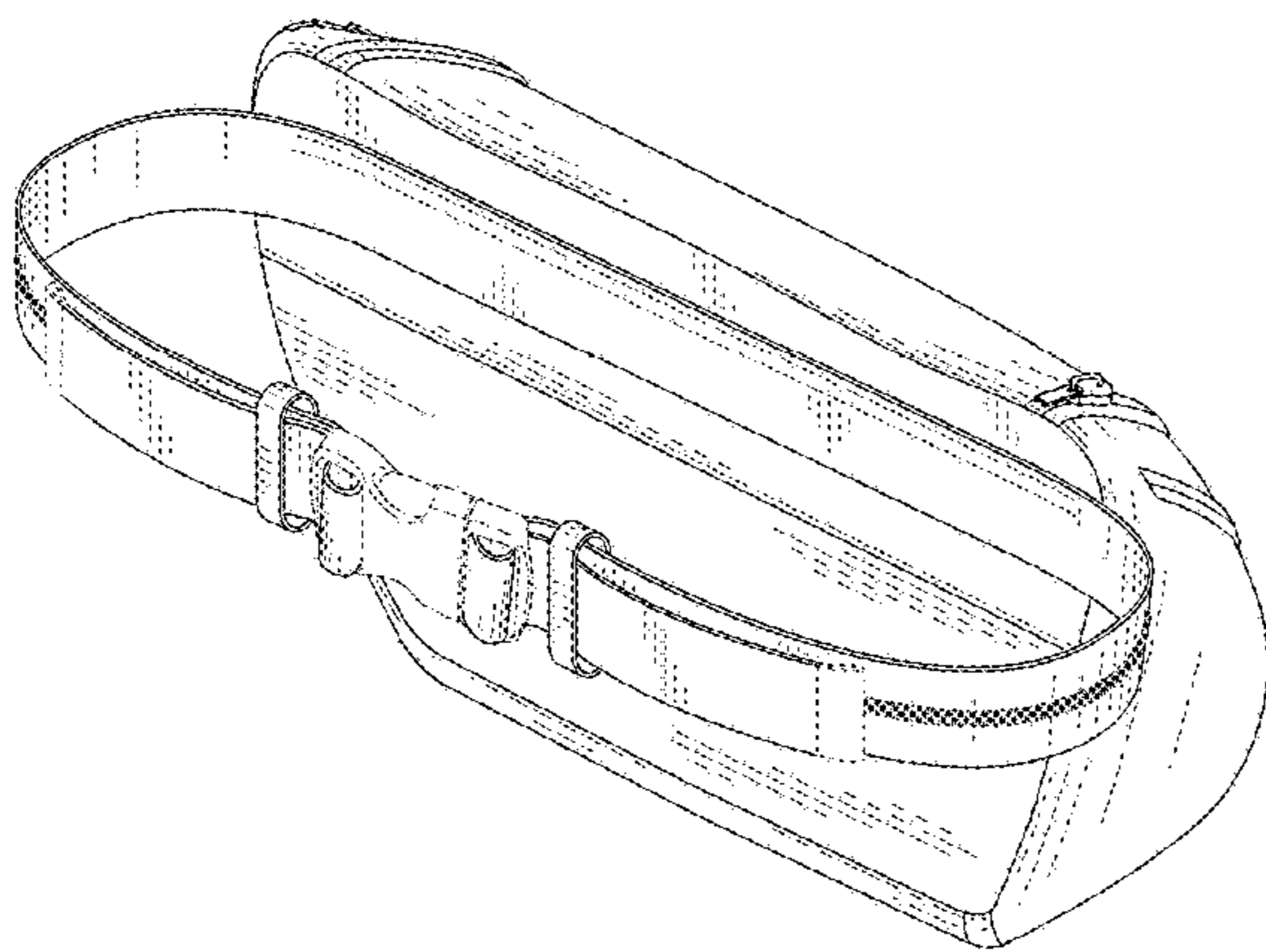
FIG. 5 is a right side view.

FIG. 6 is a top view; and,

FIG. 7 is a bottom view.

The broken lines in the drawings are used to illustrate unclaimed portions and form no part of the claimed design. Dotted lines seen in FIGS. 1 and 3 are used to illustrate stitching that does not form a part of the claimed design.

1 Claim, 6 Drawing Sheets



(56)

References Cited

U.S. PATENT DOCUMENTS

5,577,653 A * 11/1996 Bieker A45F 3/00
224/148.1
D379,264 S * 5/1997 Micieli D3/226
D380,086 S * 6/1997 Brassard D3/215
5,730,340 A * 3/1998 Botic A45F 3/00
224/250
D395,163 S * 6/1998 Huang D3/226
5,829,653 A * 11/1998 Kaiser A45F 4/02
2/2.5
D408,628 S * 4/1999 Fusco D3/226
D411,038 S * 6/1999 Fair D3/226
D411,659 S * 6/1999 Karton D3/226
D414,603 S * 10/1999 Burchett D3/219
D436,243 S * 1/2001 Hoy D2/860
D442,777 S * 5/2001 Smith D3/226
6,293,445 B1 * 9/2001 Miller A45F 3/00
224/236
D448,925 S * 10/2001 Willows D3/226
D458,021 S * 6/2002 Willows D3/226
7,237,703 B1 * 7/2007 Nathan A45F 3/16
224/148.4
D584,930 S * 1/2009 Lown D7/709
D599,547 S * 9/2009 Lown D3/263
8,695,859 B1 * 4/2014 Stalker A45F 3/04
135/901
D771,369 S * 11/2016 Willows D3/202
2002/0134809 A1 * 9/2002 Angus A45F 3/00
224/662
2003/0094474 A1 * 5/2003 Rotter A45F 4/02
224/662

OTHER PUBLICATIONS

10 Travel Tips We Never Follow, Wear a Fanny Pack, SmartTravel.com, Caroline Morse, Jun. 16, 2013, [online], [site visited May 9, 2017]. <URL: <https://www.smartertravel.com/2013/06/16/10-travel-tips-we-never-follow/>>.*
Everest Signature Fanny Pack—Small, EverestBags.com, [online], [site visited May 9, 2017]. <URL: <http://www.everestbags.com/Item/044KD>>.*
WindTook Fanny Pack for Men Waist Pack, Amazon.com, [online], [site visited May 9, 2017]. <URL: https://www.amazon.com/gp/product/B06XXCV487/ref=s9_acsd_topr_hd_bw_bEGdR_c_x_3_w?pf_rd_m=ATVPDKIKX0DER&pf_rd_s=merchandised-search-4&pf_rd_r=R97WN1RX2THB5J175MXW&pf_rd_t=101&pf_rd_p=3b444c1a-c60b-5a82-b0c3-53d7f3a1aaef&pf_rd_i=3400541>.*
Mier 2-Pocket Sporty Running/Biking/Cycling Fanny Pack Travel Pouch, Amazon.com, [online], [site visited May 9, 2017]. <URL: https://www.amazon.com/MIER-Travel-Sport-Running-Embroidery/dp/B01NALRX9Q/ref=sr_1_52?s=outdoor-recreation&ie=UTF8&qid=1494364560&sr=1-52-spons&psc=1>.*
Case Logic DCB-304 Compact System/Hybrid Camera Case (Black), Amazon.com, [online], [site visited May 9, 2017]. <URL: <https://www.amazon.com/Case-Logic-DCB-304-Compact-System/dp/B0039BPG1A>>.*
Zagora Black Waist Pouch, BraunBuffel-AsiaPac.com, [online], [site visited May 9, 2017]. <URL: <http://shop.braunbuffel-asiapac.com/my/men/bags/waist-pouch/zagora-black-waist-pouch.html>>.*

* cited by examiner

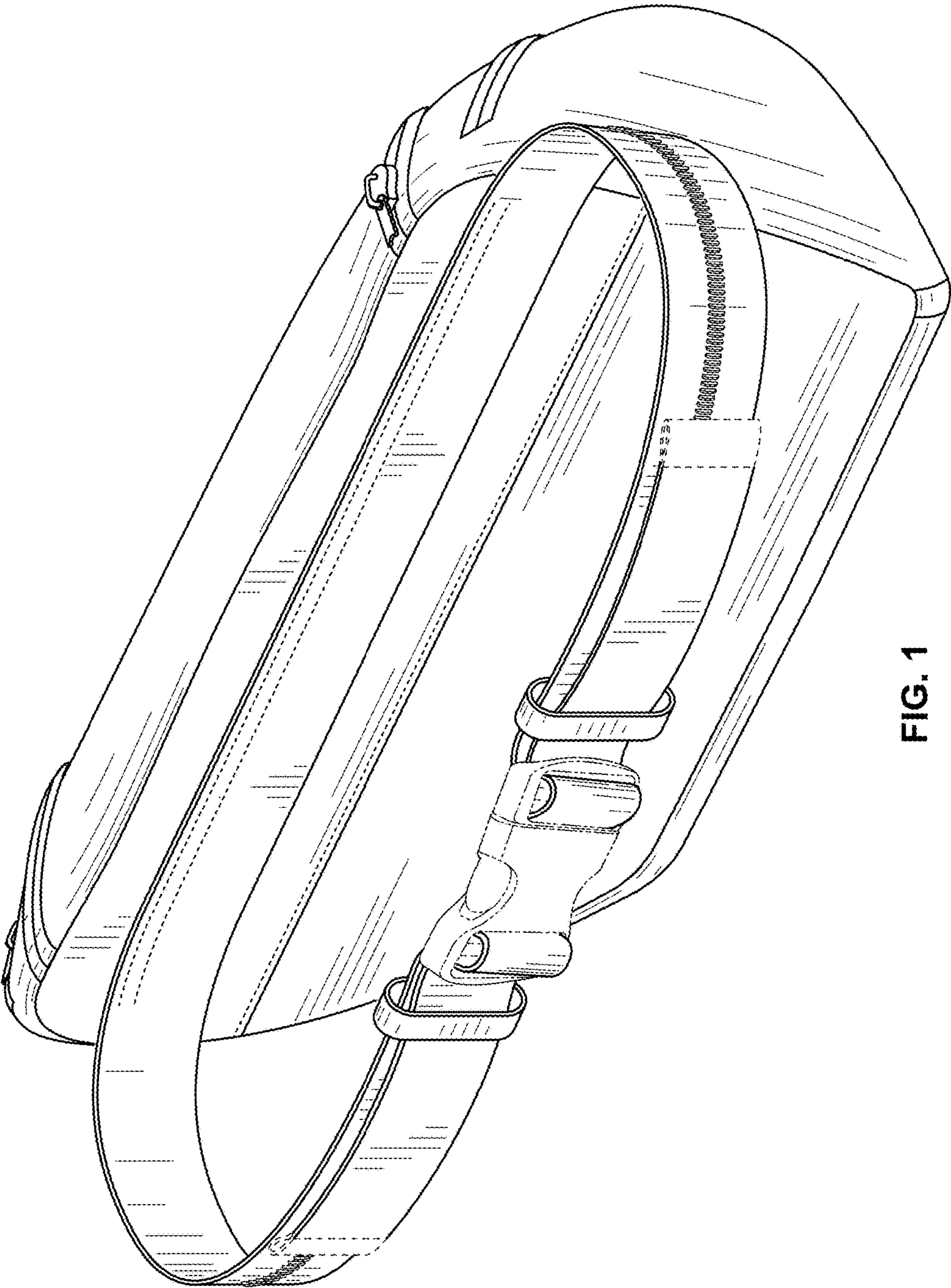


FIG. 1

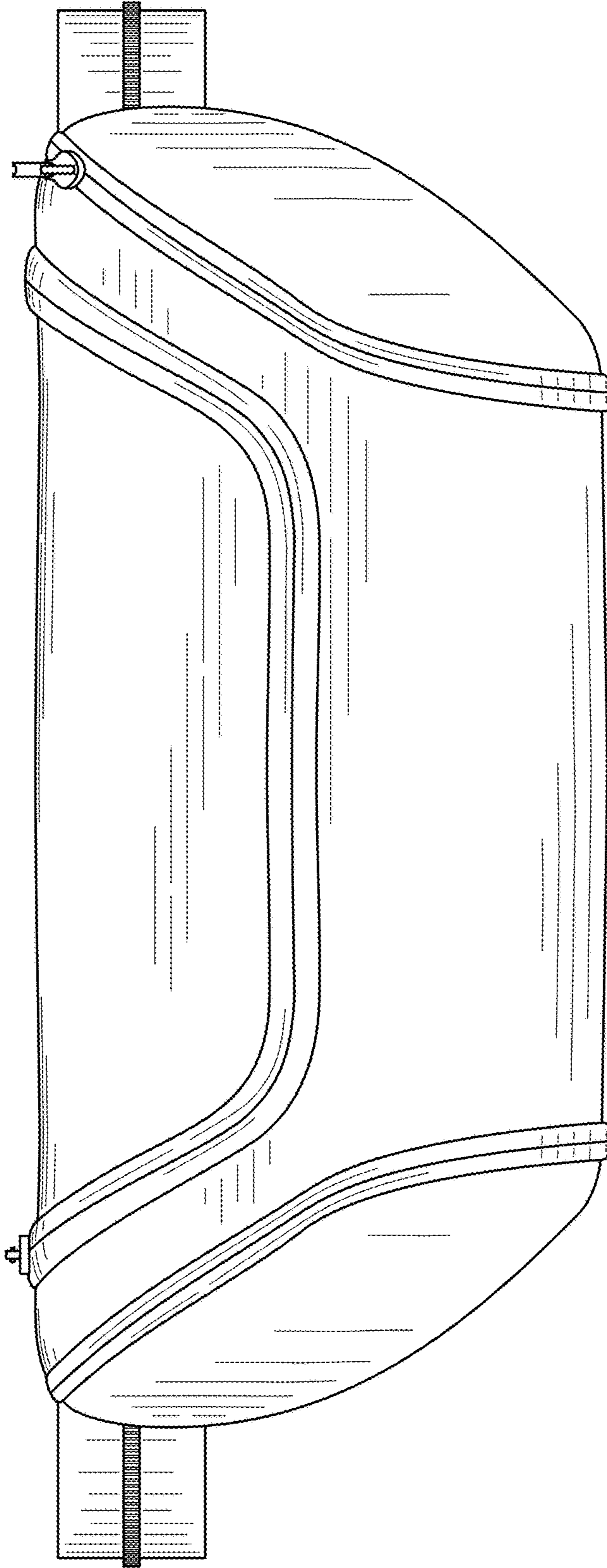


FIG. 2

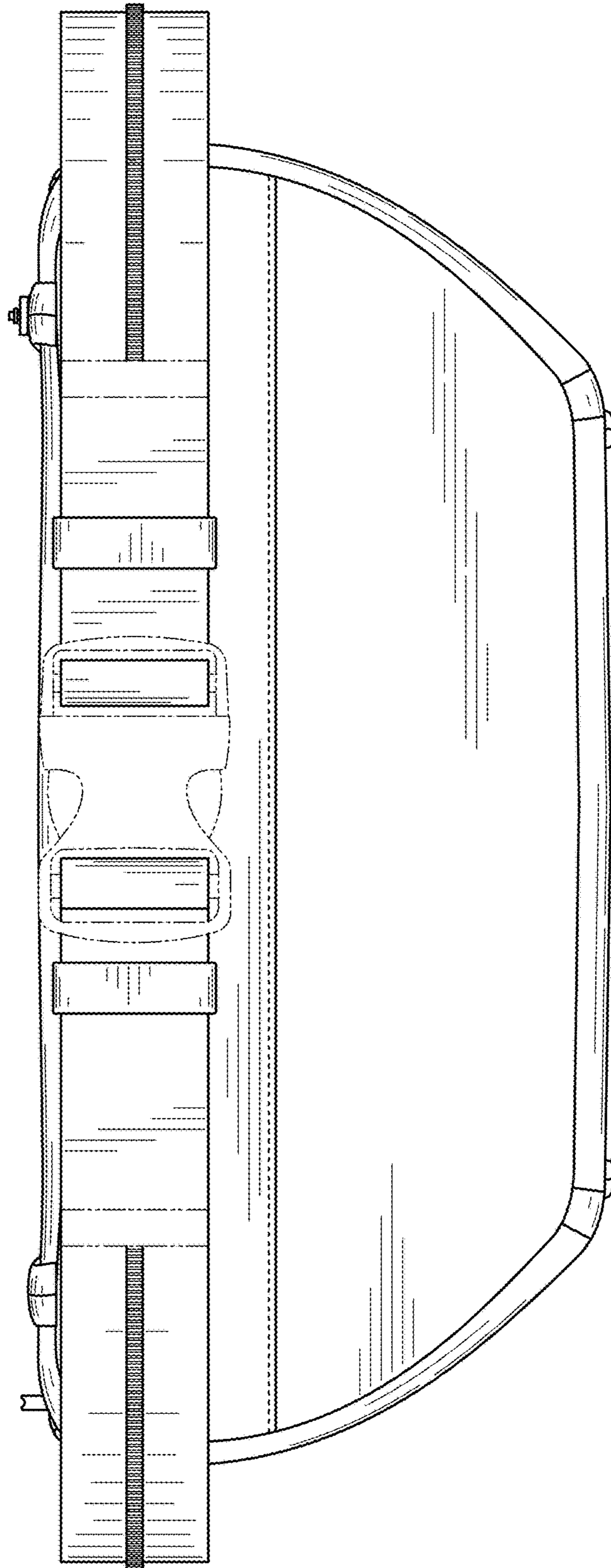


FIG. 3

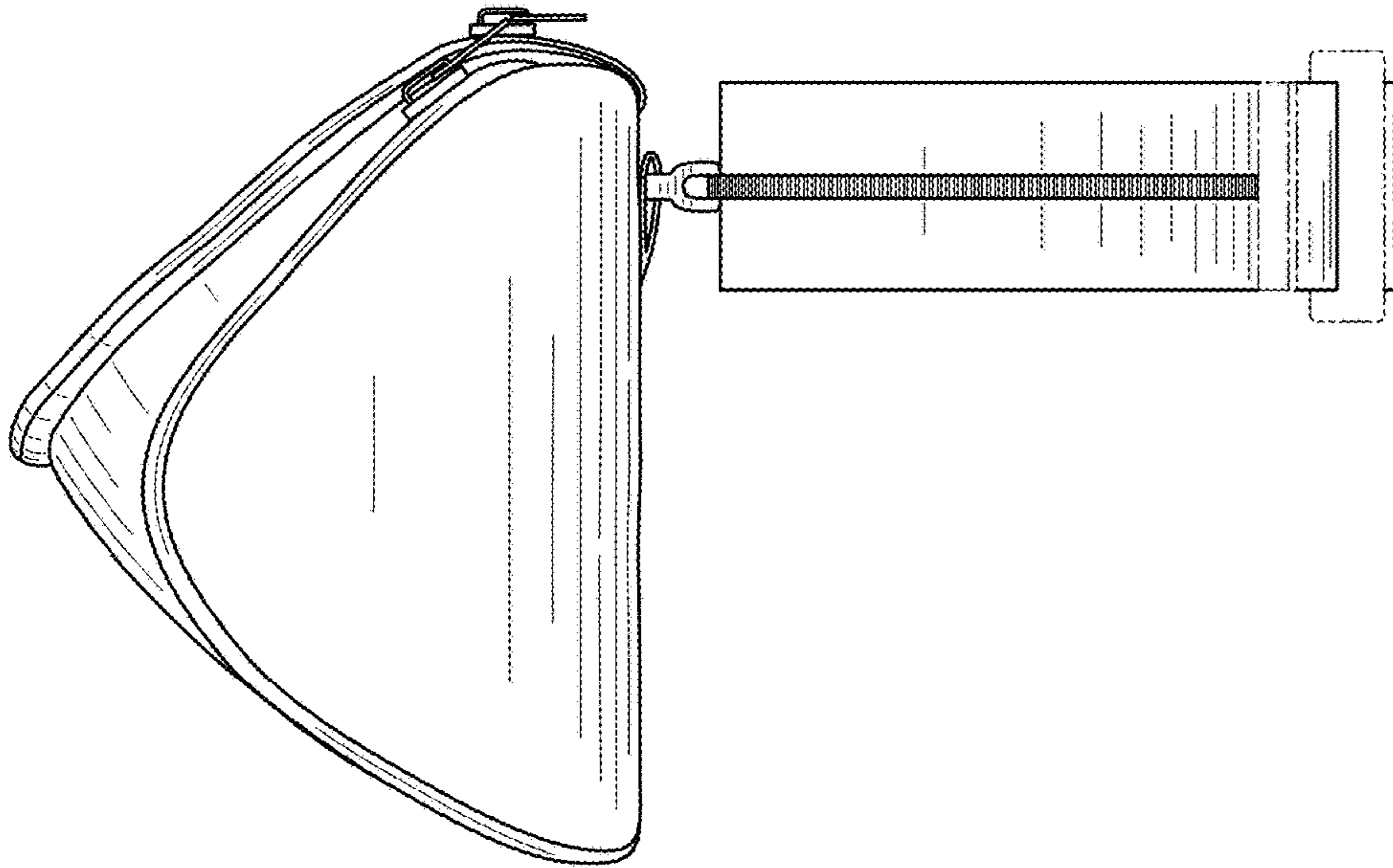


FIG. 4

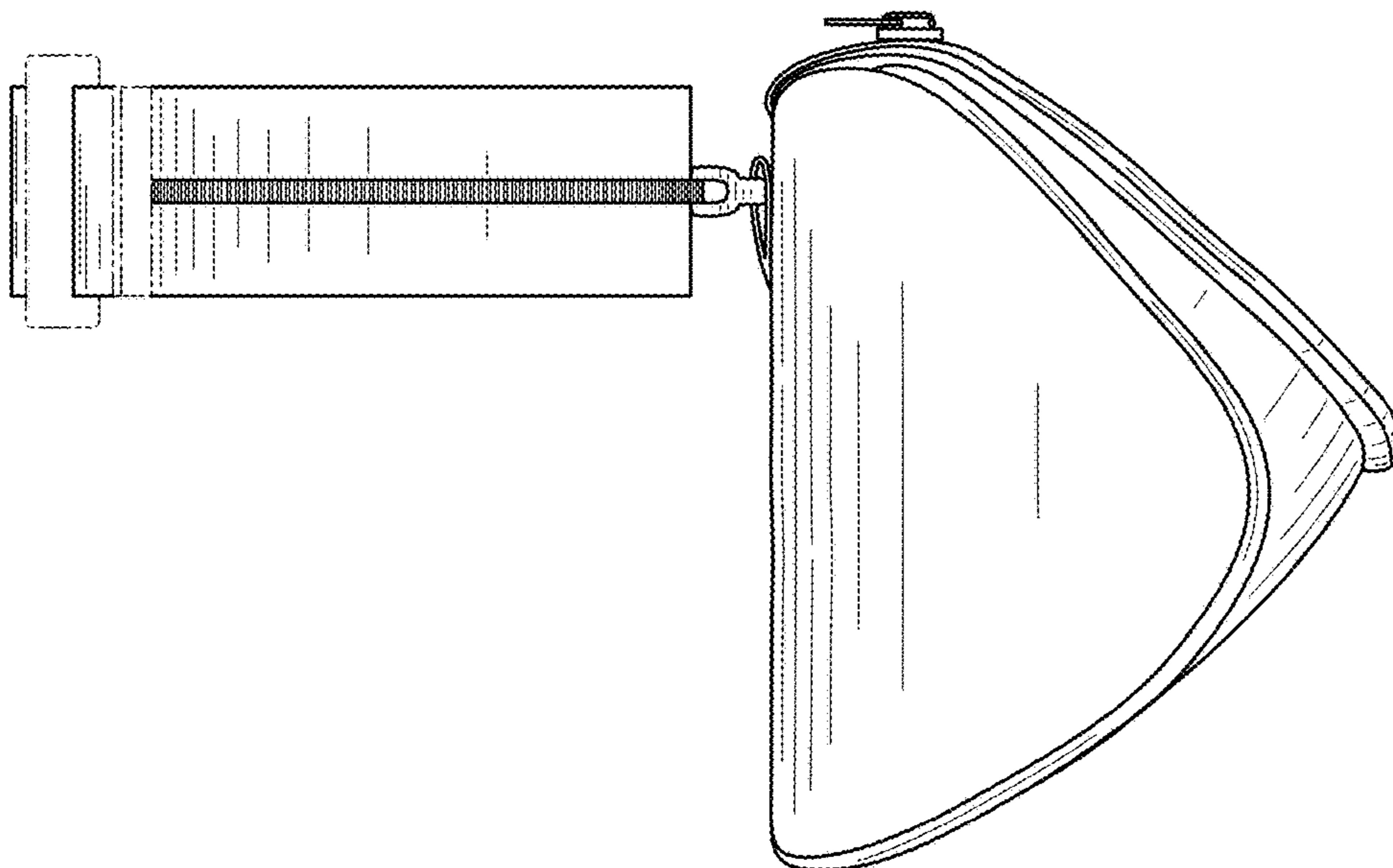


FIG. 5

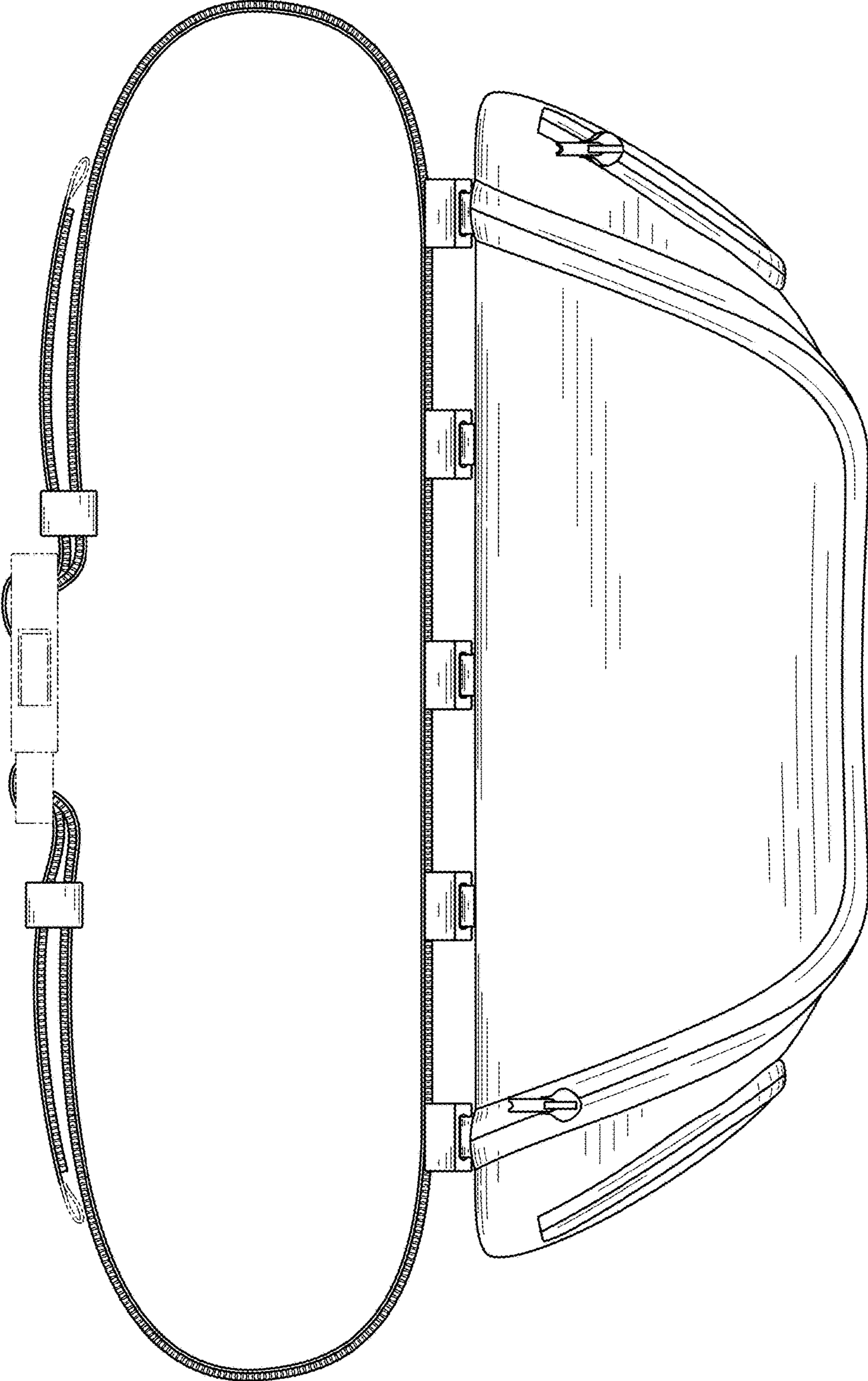


FIG. 6

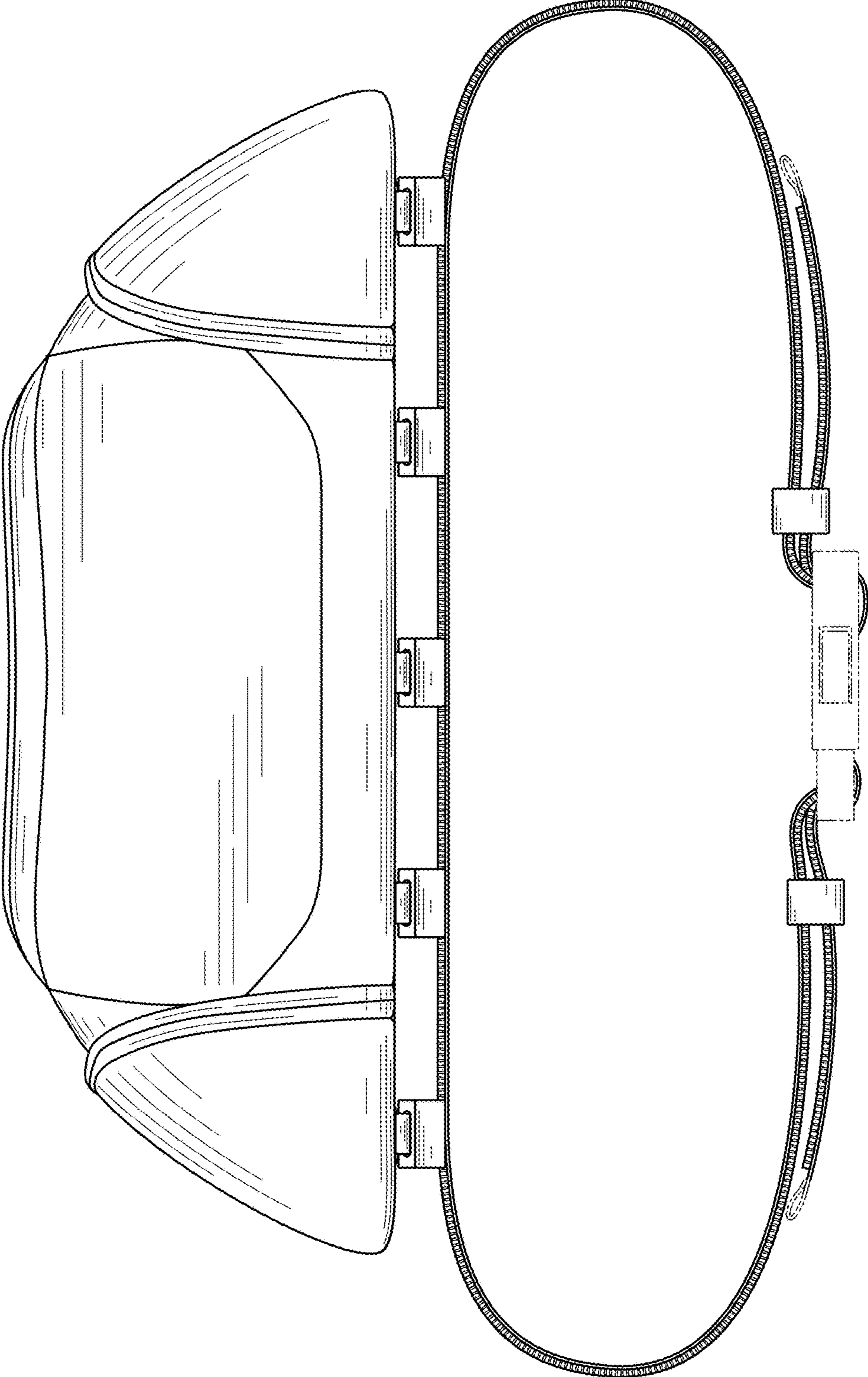


FIG. 7