



US00D793719S

(12) **United States Design Patent** (10) **Patent No.:** **US D793,719 S**
Pomerantz (45) **Date of Patent:** **** Aug. 8, 2017**

(54) **ATHLETIC BELT**
(71) Applicant: **Shifra Pomerantz**, Hallandale Beach, FL (US)
(72) Inventor: **Shifra Pomerantz**, Hallandale Beach, FL (US)
(**) Term: **14 Years**
(21) Appl. No.: **29/516,640**
(22) Filed: **Feb. 4, 2015**
(51) **LOC (10) Cl.** **03-01**
(52) **U.S. Cl.**
USPC **D3/221**
(58) **Field of Classification Search**
USPC D2/502, 900, 627; D21/692, 662, 684; D29/100, 101.5; D30/153; D24/190; 602/27, 16, 65, 4, 23; 482/124, 139, 123, 482/126, 106, 121, 904, 91, 148, 907, 92, 482/125, 129, 49, 55, 93; 405/186, 185; 224/664, 934, 577, 236, 576, 586, 683, 224/666, 240, 660, 677, 901, 901.4, 224/901.8, 911, 681, 662, 910, 930; 2/322, 338, 920, 237, 312, 1, 311, 84, 87, 2/93, 660, 680, 94, 308, 321, 221; 128/95.1, 875, 882, 876; 36/140, 50.1, 36/89; D3/218
CPC A63B 21/0552; A63B 21/0442; A63B 21/0557; A63B 2208/0204; A63B 21/0555; A63B 21/0004; A63B 21/00061; A63B 21/00069; A63B 21/4025; A63B 21/4035; Y10S 482/907; A61H 1/0244; A61H 1/0266
See application file for complete search history.

(56) **References Cited**
U.S. PATENT DOCUMENTS

1,920,061 A * 7/1933 Carr A41F 9/002 2/247
D249,592 S 9/1978 Libonati
D251,758 S 5/1979 Penrod

D257,409 S 10/1980 Kishbaugh et al.
D261,196 S * 10/1981 Griffin 224/664
4,500,019 A 2/1985 Curley, Jr.
D291,623 S * 9/1987 Ericksen D3/224
4,782,535 A * 11/1988 Yewer, Jr. A41F 9/002 2/321

(Continued)

OTHER PUBLICATIONS

Fitletic Fully Loaded Hydration Belt by Fitletic dated Sep. 6, 2015. Found online [Nov. 16, 2016] https://www.amazon.com/Fitletic-Fully-Loaded-Hydration-Black/dp/B011QRAG00/ref=lp_9320914011_1_12?srs=9320914011&ie=UTF8&qid=1480349583&sr=8-12.*

(Continued)

Primary Examiner — Robert M Spear
Assistant Examiner — Ryan Harvey
(74) *Attorney, Agent, or Firm* — Malloy & Malloy, P.L.

(57) **CLAIM**

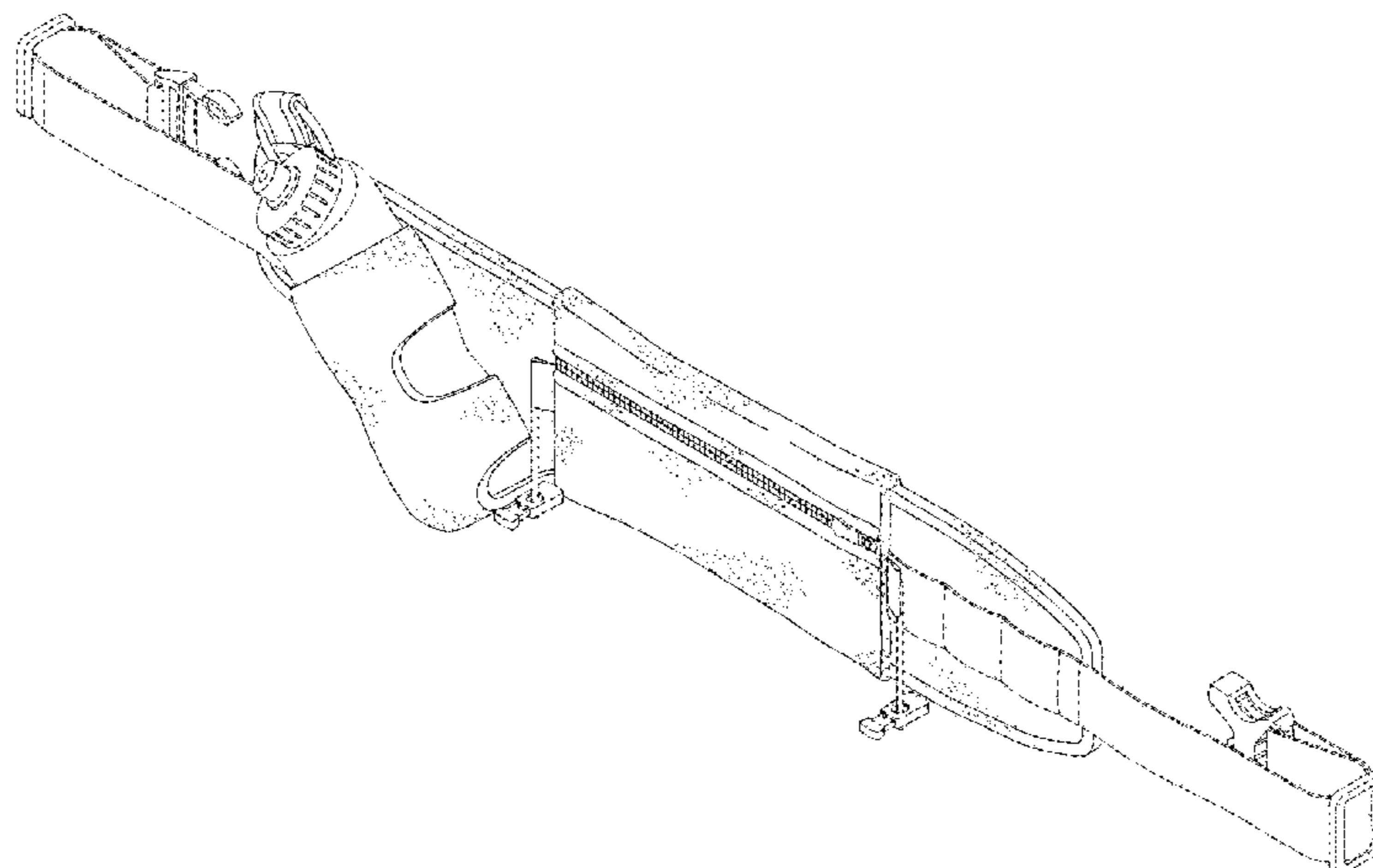
The ornamental design for an athletic belt, as shown and described.

DESCRIPTION

FIG. 1 is a front perspective view illustrating my design for an athletic belt;
FIG. 2 is a rear perspective view thereof;
FIG. 3 is a top view thereof;
FIG. 4 is a bottom view thereof;
FIG. 5 is a right side view thereof;
FIG. 6 is a left side view thereof;
FIG. 7 is a front view thereof;
FIG. 8 is a back view thereof;
FIG. 9 is a front perspective view thereof showing a water bottle therein; and,
FIG. 10 is a front view thereof showing a water bottle therein.

The broken line showing of portions of the athletic belt depicts environment and forms no part of the claim.

1 Claim, 7 Drawing Sheets



(56)

References Cited

U.S. PATENT DOCUMENTS

4,907,576 A * 3/1990 Curlee A61F 5/028
602/19
4,964,401 A * 10/1990 Taigen A61F 5/028
128/876
4,991,573 A * 2/1991 Miller A61F 5/028
128/106.1
D333,193 S * 2/1993 Archambault D24/190
D334,471 S 4/1993 Yerby et al.
5,209,385 A 5/1993 Ledesma
D336,566 S * 6/1993 Desjardins D24/190
5,240,156 A 8/1993 Sicotte et al.
D338,997 S * 9/1993 Greco D2/627
5,255,835 A 10/1993 Burks
D344,178 S 2/1994 Zinck
5,353,975 A * 10/1994 Libertucci A45C 1/04
224/662
5,374,919 A 12/1994 Zelka et al.
5,388,274 A * 2/1995 Glover A61F 5/028
128/100.1
D371,456 S * 7/1996 Champlin D3/224
D395,546 S 6/1998 Houtan
5,928,275 A * 7/1999 Yates A61F 7/034
126/204
D448,925 S 10/2001 Willows et al.
D458,021 S 6/2002 Willows et al.
D490,239 S 5/2004 Wagner, II
D490,974 S 6/2004 Wagner, II
D497,715 S 11/2004 Saltarelli
D503,533 S 4/2005 Cabey
D505,008 S 5/2005 Malik
D505,787 S 6/2005 Vaughn
D509,057 S 9/2005 Bollig
D510,480 S 10/2005 McCarter
6,971,562 B2 12/2005 Willows et al.
D516,304 S 3/2006 Feldman et al.
D518,953 S 4/2006 Kenimer et al.
D548,349 S * 8/2007 Hollister D24/190
D553,853 S 10/2007 Willows et al.
7,344,308 B2 3/2008 Meyer et al.

D586,552 S 2/2009 Shumate
D615,753 S * 5/2010 Pomerantz D3/221
D616,644 S 6/2010 Ramon
D620,706 S 8/2010 Wagner, II
D628,376 S 12/2010 Fink et al.
D630,012 S * 1/2011 Pomerantz D3/221
D630,841 S * 1/2011 Pomerantz D3/221
D651,793 S 1/2012 Willows et al.
D661,484 S 6/2012 Hamra
D663,950 S 7/2012 Willows et al.
D668,003 S * 9/2012 Pozzolini D30/152
D668,861 S * 10/2012 Pomerantz D3/224
D668,862 S * 10/2012 Pomerantz D3/224
D675,011 S 1/2013 Stiefel
D676,233 S 2/2013 Paugh et al.
D680,326 S 4/2013 Willows et al.
D680,736 S 4/2013 Willows et al.
D694,003 S * 11/2013 Pomerantz D3/221
D695,008 S * 12/2013 Pomerantz D3/221
D710,597 S 8/2014 Morgan et al.
D710,598 S 8/2014 Morgan et al.
D743,694 S 11/2015 Charles
D747,094 S 1/2016 Ciptak et al.
D759,957 S 6/2016 Willows et al.
9,427,238 B2 * 8/2016 Hopman A61B 17/1325
2002/0134809 A1 * 9/2002 Angus A45F 3/00
224/662
2008/0190980 A1 * 8/2008 Overton A45F 3/14
224/664
2014/0124559 A1 * 5/2014 Pomerantz A41F 9/02
224/582

OTHER PUBLICATIONS

Hydration Belt Fully Loaded by Fitletic dated no date given. Found online [Nov. 16, 2016] <https://fitletic.com/product/hydration-belt-fully-loaded-hd12g/>.
Armpocket—The Ultimate Armband-Ultra i-35, 2016, Amazon.com.

* cited by examiner

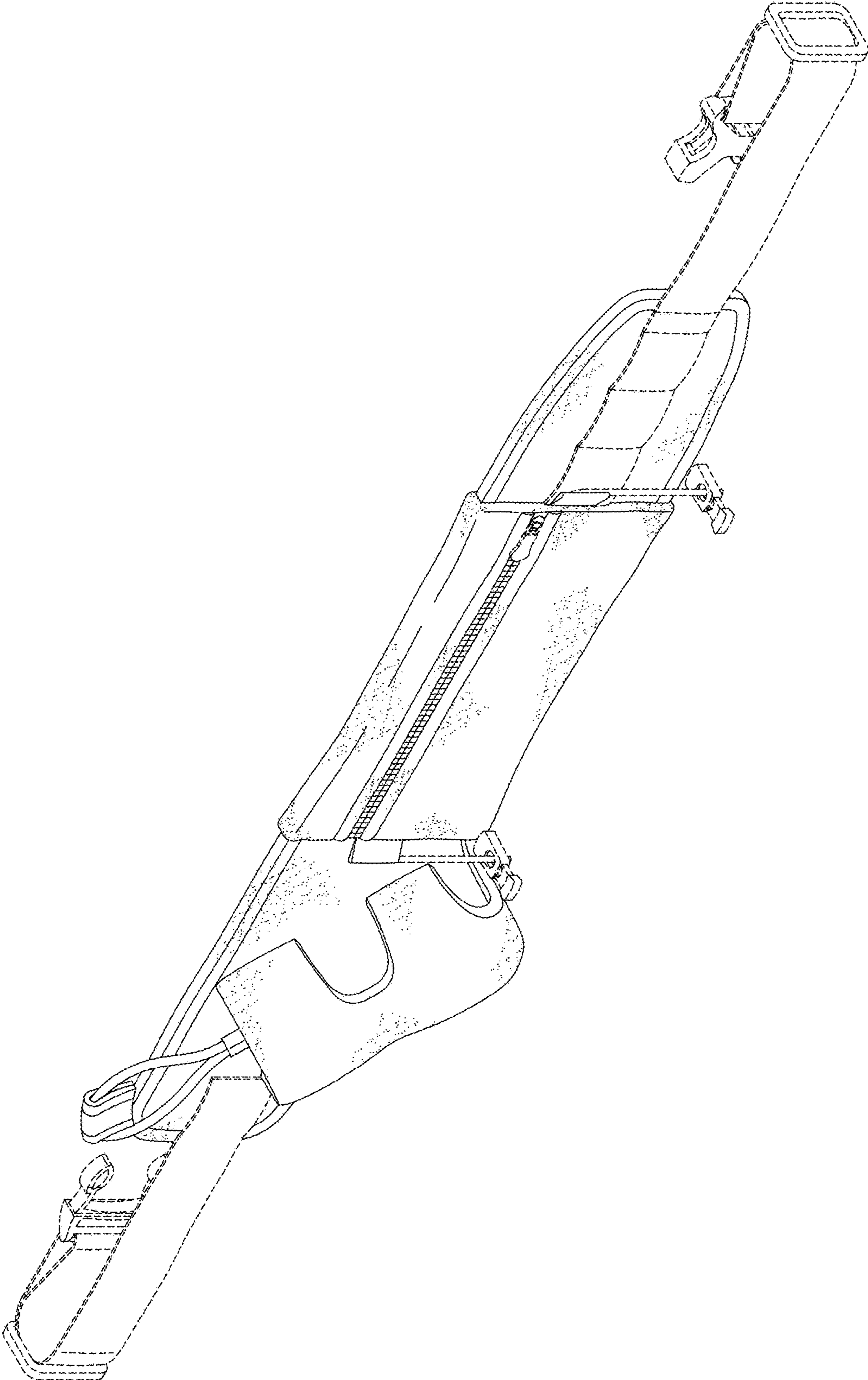


FIG. 1

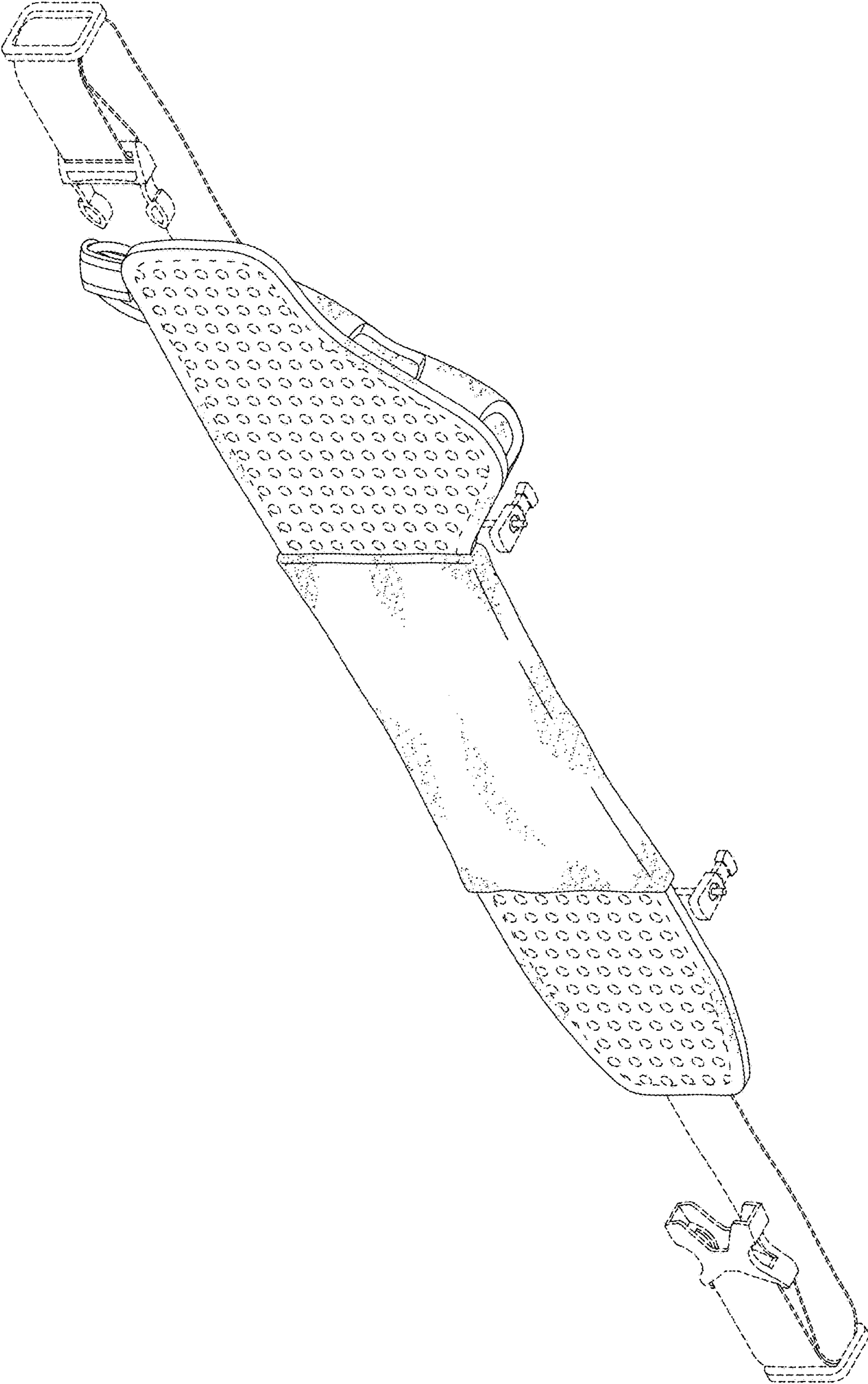


FIG. 2

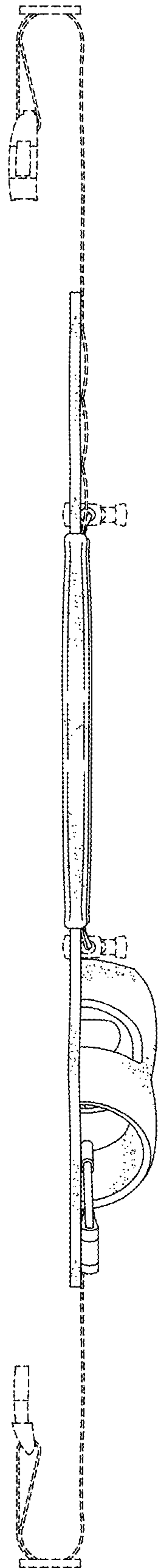


FIG. 3

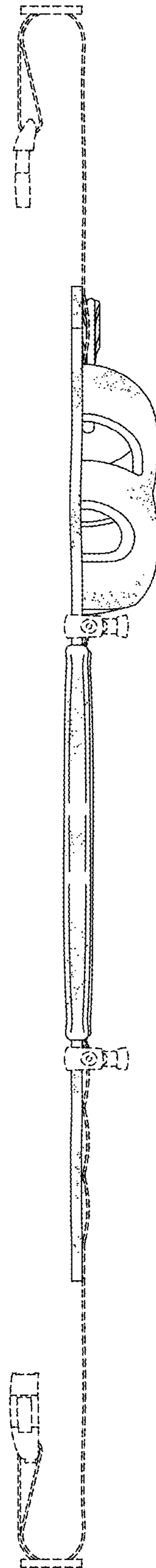


FIG. 4

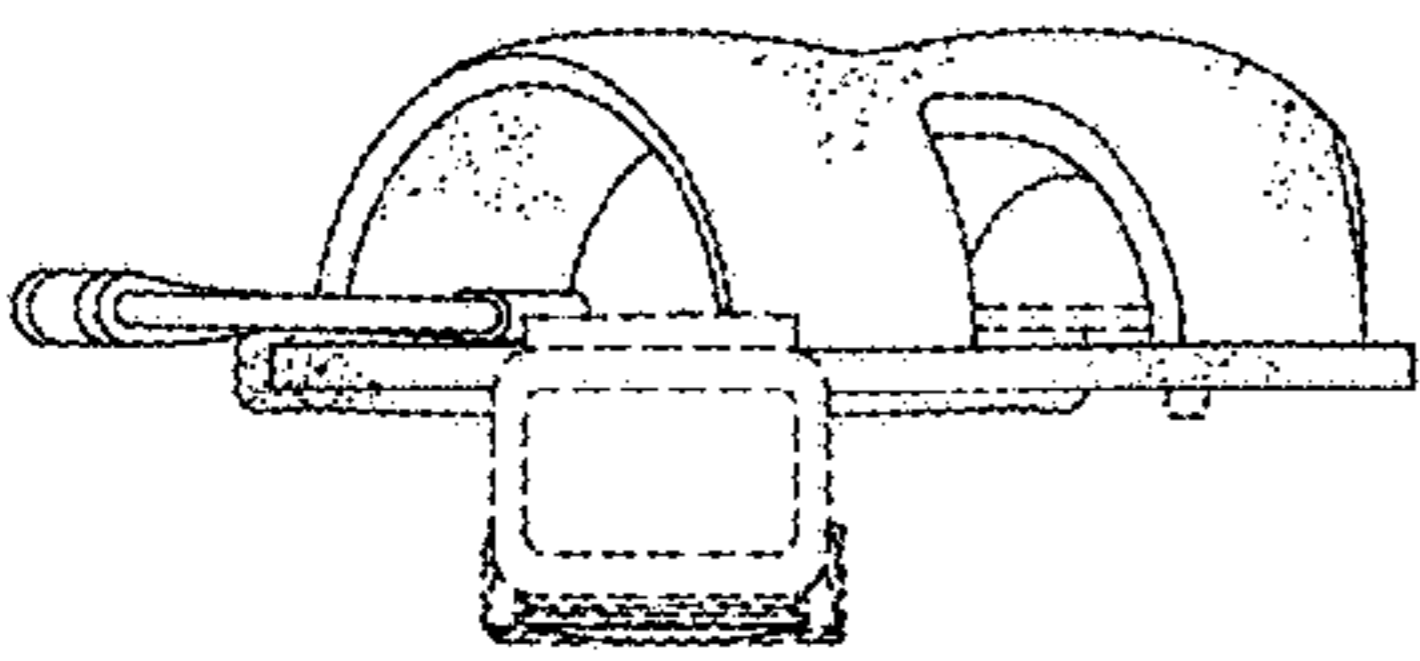


FIG. 5

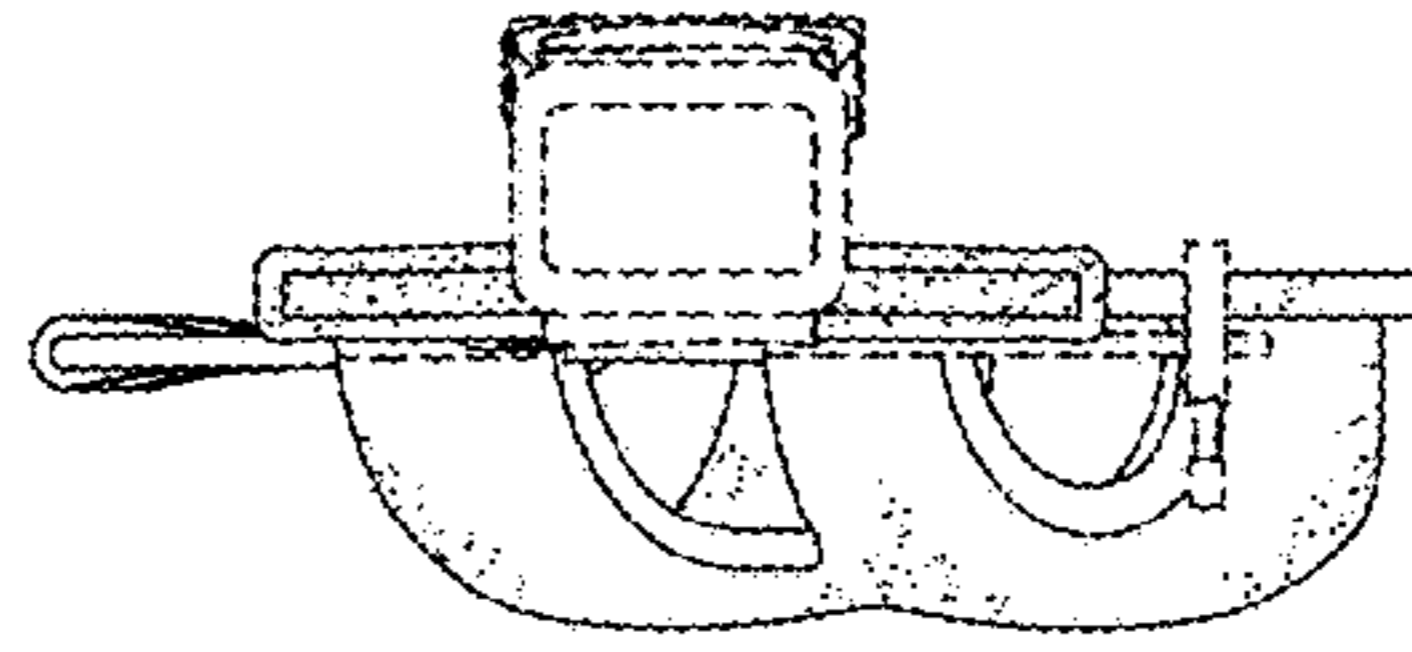


FIG. 6

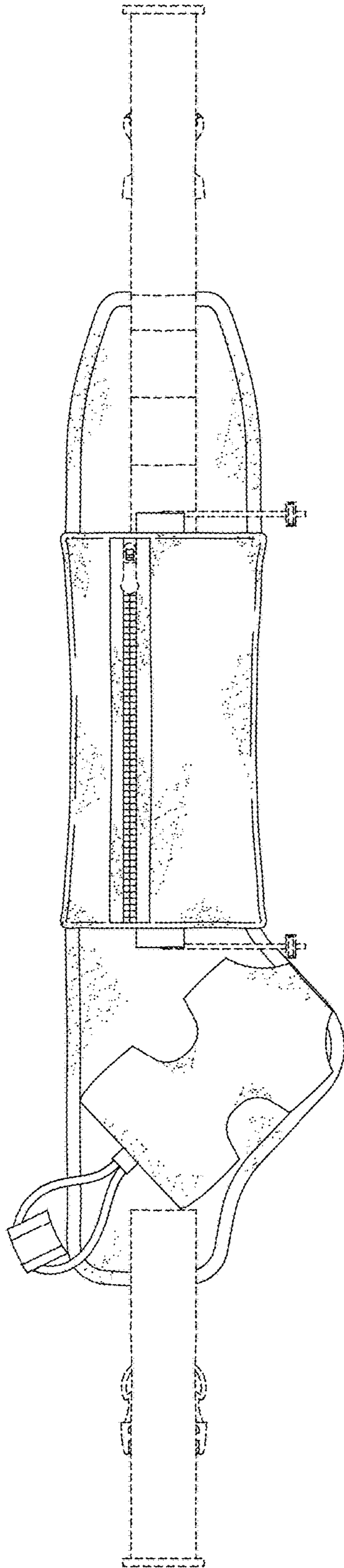


FIG. 7

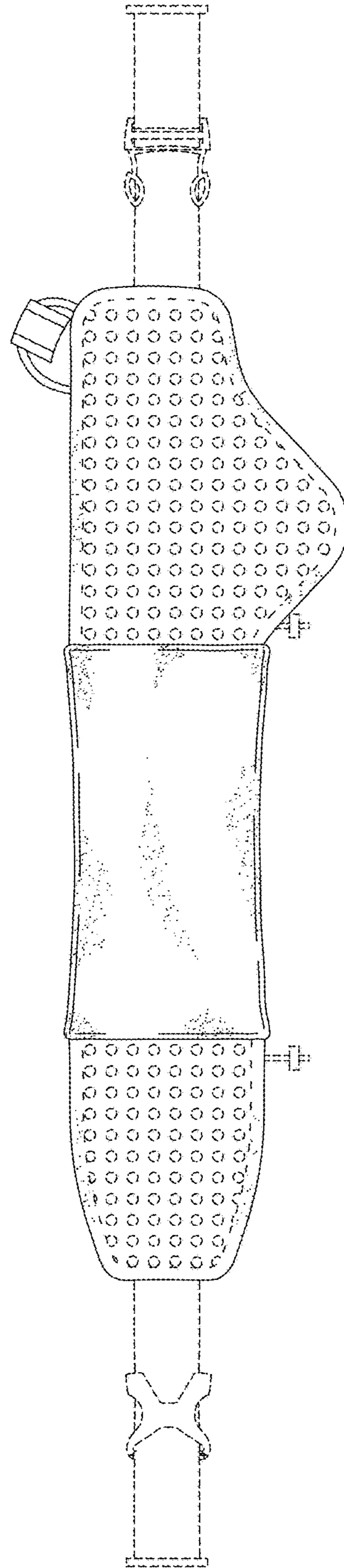


FIG. 8

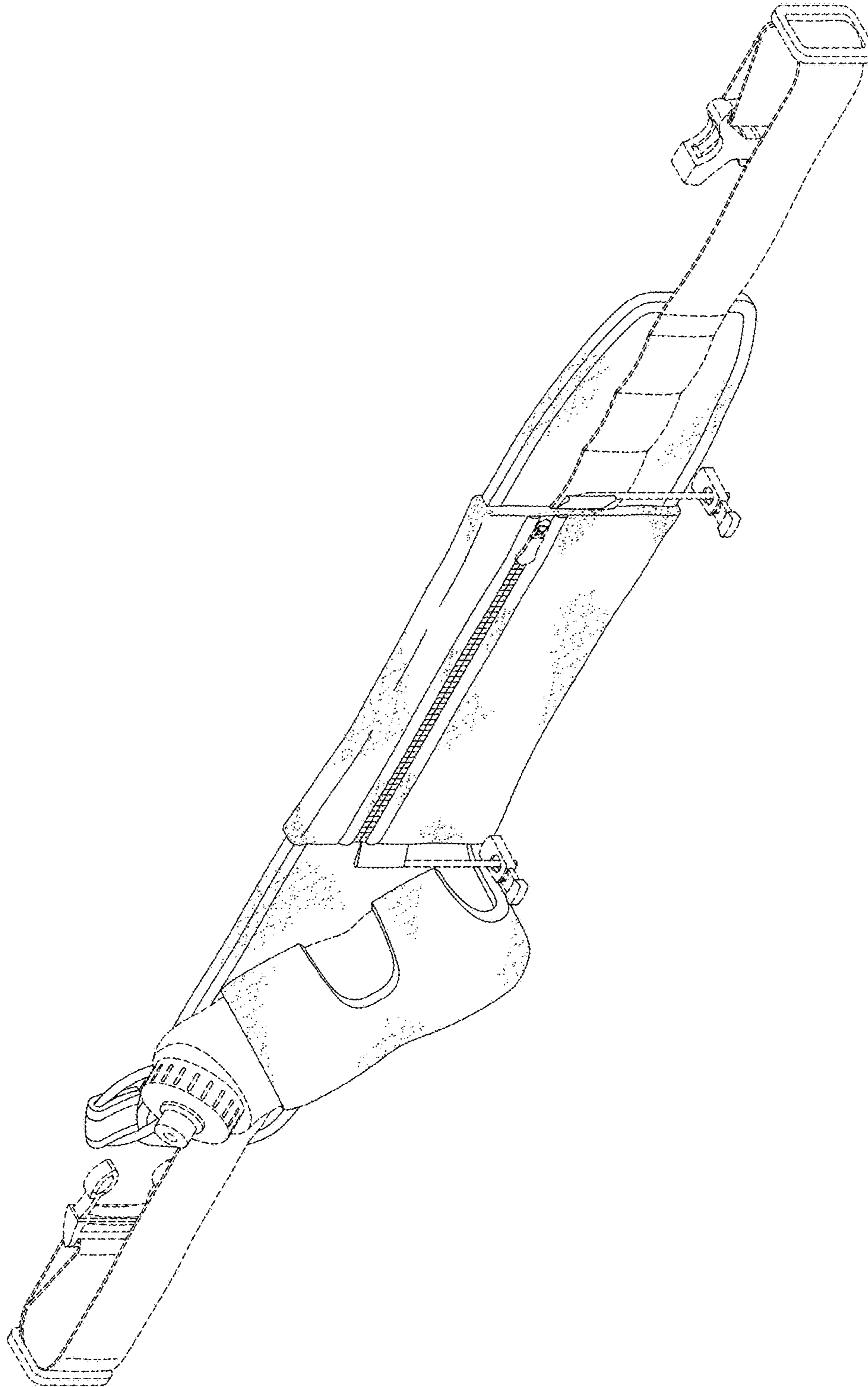


FIG. 9

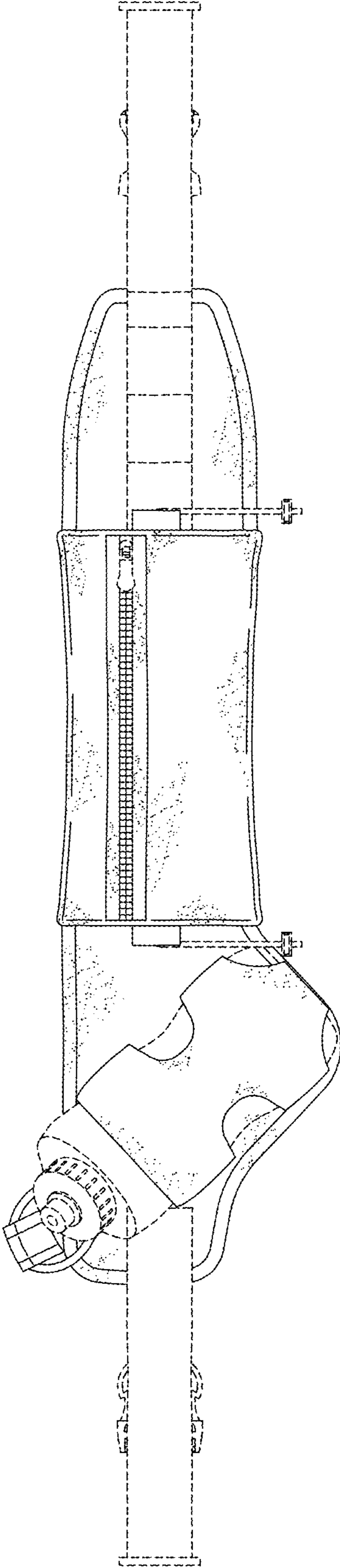


FIG. 10