



US00D793716S

(12) **United States Design Patent**
Littleton

(10) **Patent No.:** **US D793,716 S**

(45) **Date of Patent:** **** Aug. 8, 2017**

(54) **FOOTBALL SHAVING KIT**

(71) Applicant: **Garry A. Littleton**, Lynnville, TN (US)

(72) Inventor: **Garry A. Littleton**, Lynnville, TN (US)

(73) Assignee: **Col. Littleton Ltd. Inc.**, Lynnville, TN (US)

(**) Term: **15 Years**

(21) Appl. No.: **29/537,165**

(22) Filed: **Aug. 24, 2015**

(51) **LOC (10) Cl.** **03-02**

(52) **U.S. Cl.**
USPC **D3/205**

(58) **Field of Classification Search**
USPC D3/206, 218, 226, 233, 245, 247, 301,
D3/303, 271.9; D12/712
CPC A45C 11/34; A45C 11/36
See application file for complete search history.

(56) **References Cited**

U.S. PATENT DOCUMENTS

D248,189	S *	6/1978	Loomis	D3/271.9
4,834,382	A *	5/1989	Spector	A63B 41/02
					273/DIG. 20
D310,137	S *	8/1990	Mays	D21/712
D335,956	S *	6/1993	Lucas	D3/238
D365,443	S *	12/1995	Wu	D3/226
D375,833	S *	11/1996	Dixon	D3/216
D471,708	S *	3/2003	Rugg	D3/257
D480,774	S *	10/2003	Murphy	D21/712
D482,523	S *	11/2003	Friou	D3/226
D498,802	S *	11/2004	Chang	D21/712
D504,709	S *	5/2005	Chang	D21/712
D505,594	S *	5/2005	Minor	D3/271.9
6,892,916	B1 *	5/2005	Rugg	A45C 13/103
					224/257

6,964,625	B2 *	11/2005	Murphy	A63B 41/085
					24/712
D557,499	S *	12/2007	Friedman	D3/271.9
D732,847	S *	6/2015	Jan	D6/591
2005/0017042	A1 *	1/2005	Friou	A45F 5/02
					224/660
2006/0237106	A1 *	10/2006	Pearson	A45C 3/00
					150/128
2015/0031482	A1 *	1/2015	Frank	A63B 43/002
					473/597
2016/0220872	A1 *	8/2016	Jan	A63B 43/00

* cited by examiner

Primary Examiner — Charles Hanson

(74) *Attorney, Agent, or Firm* — Waller Lansden Dortch & Davis, LLP; Matthew C. Cox

(57) **CLAIM**

What is claimed is the ornamental design for a football shaving kit, as shown and described.

DESCRIPTION

FIG. 1 is a top view showing the football shaving kit of Applicant's invention.

FIG. 2 is a bottom view of the football shaving kit of Applicant's invention.

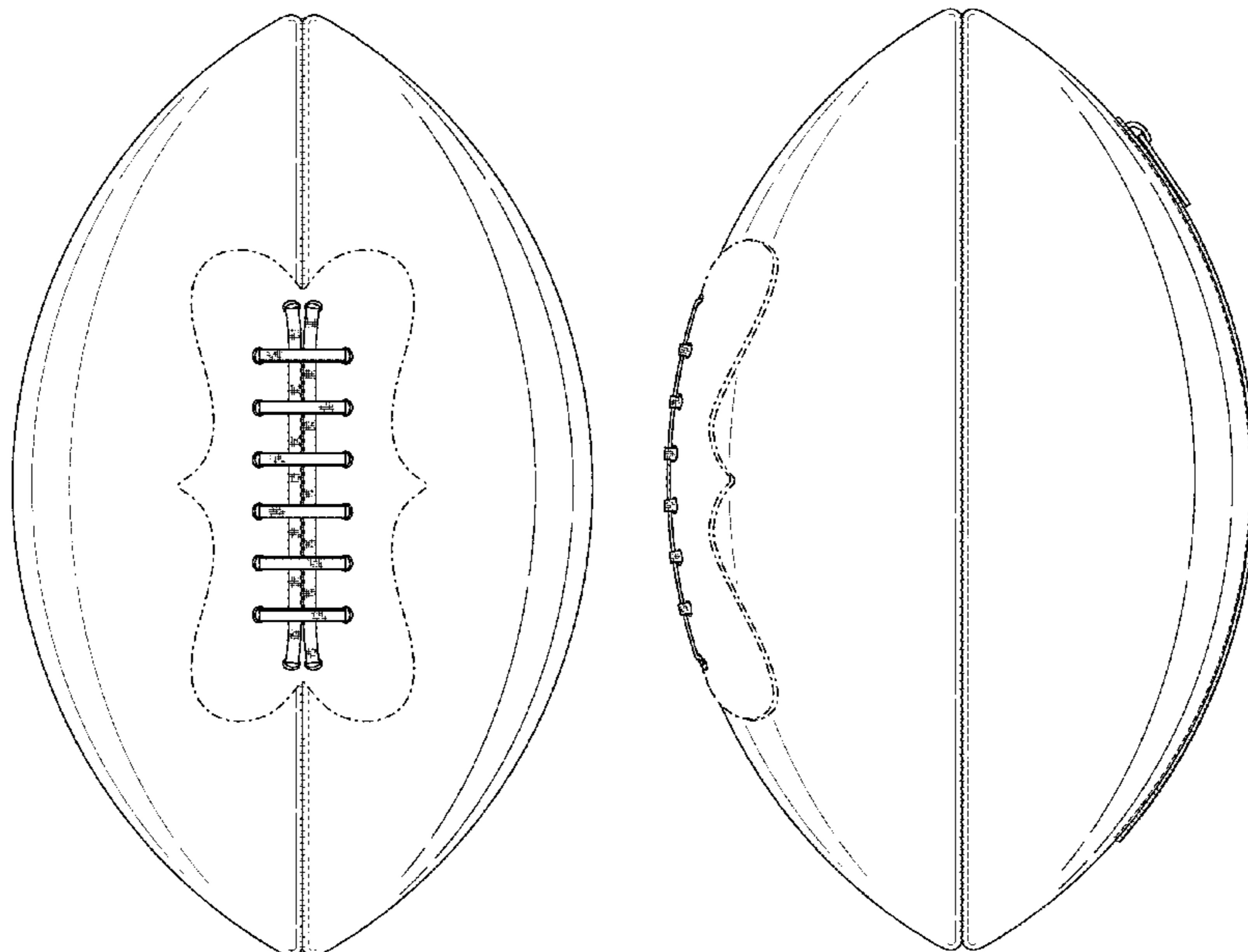
FIG. 3 is a right side view of the football shaving kit of Applicant's invention, left side view being a mirror opposite.

FIG. 4 is an end view of the football shaving kit of Applicant's invention; and,

FIG. 5 is an opposite end view of the football shaving kit of Applicant's invention.

In the Figures, the dashed lines represent stitching, and the dash-dot-dash lines represent a portion of the environment and form no part of the claimed invention.

1 Claim, 5 Drawing Sheets



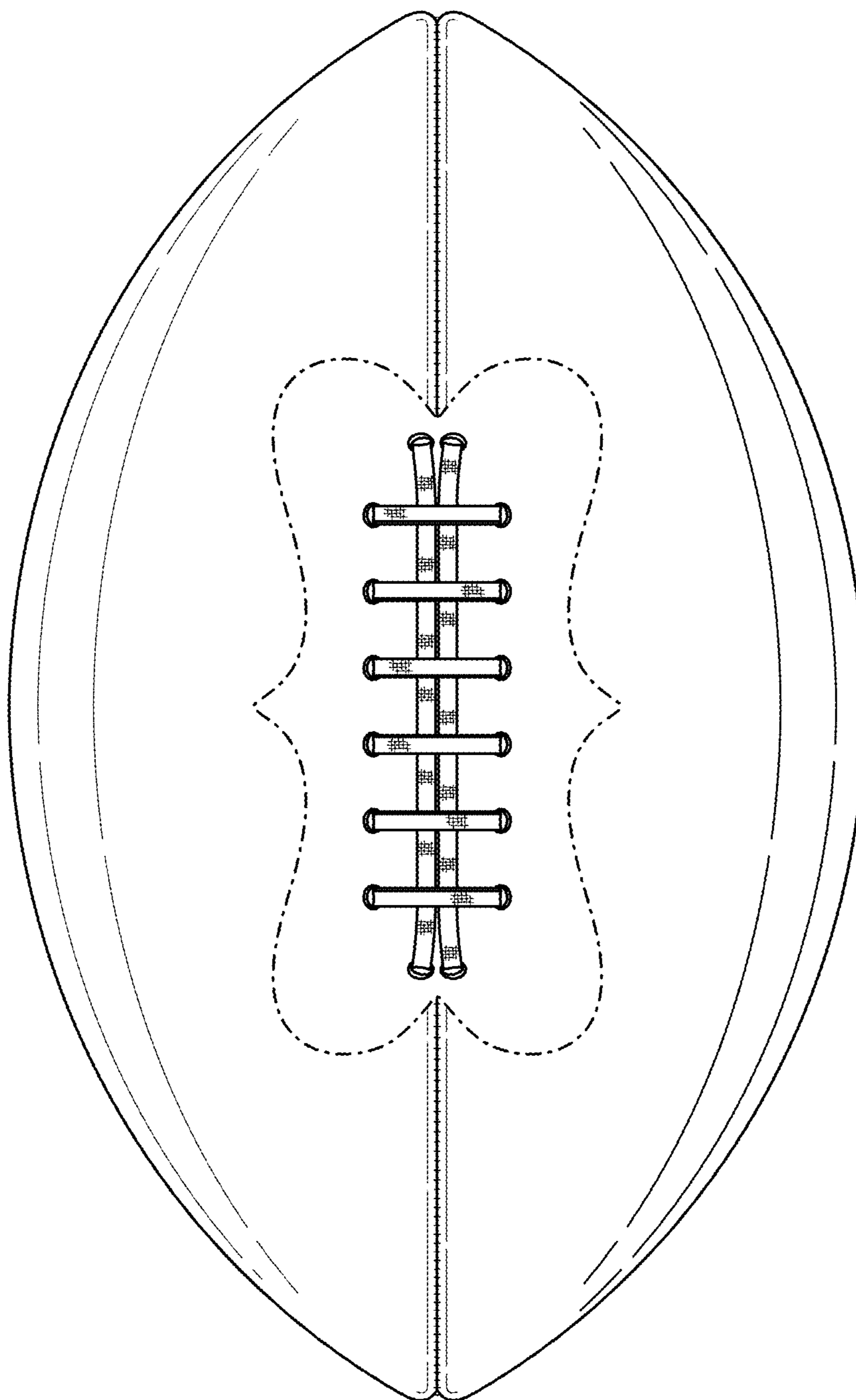


FIG. 1

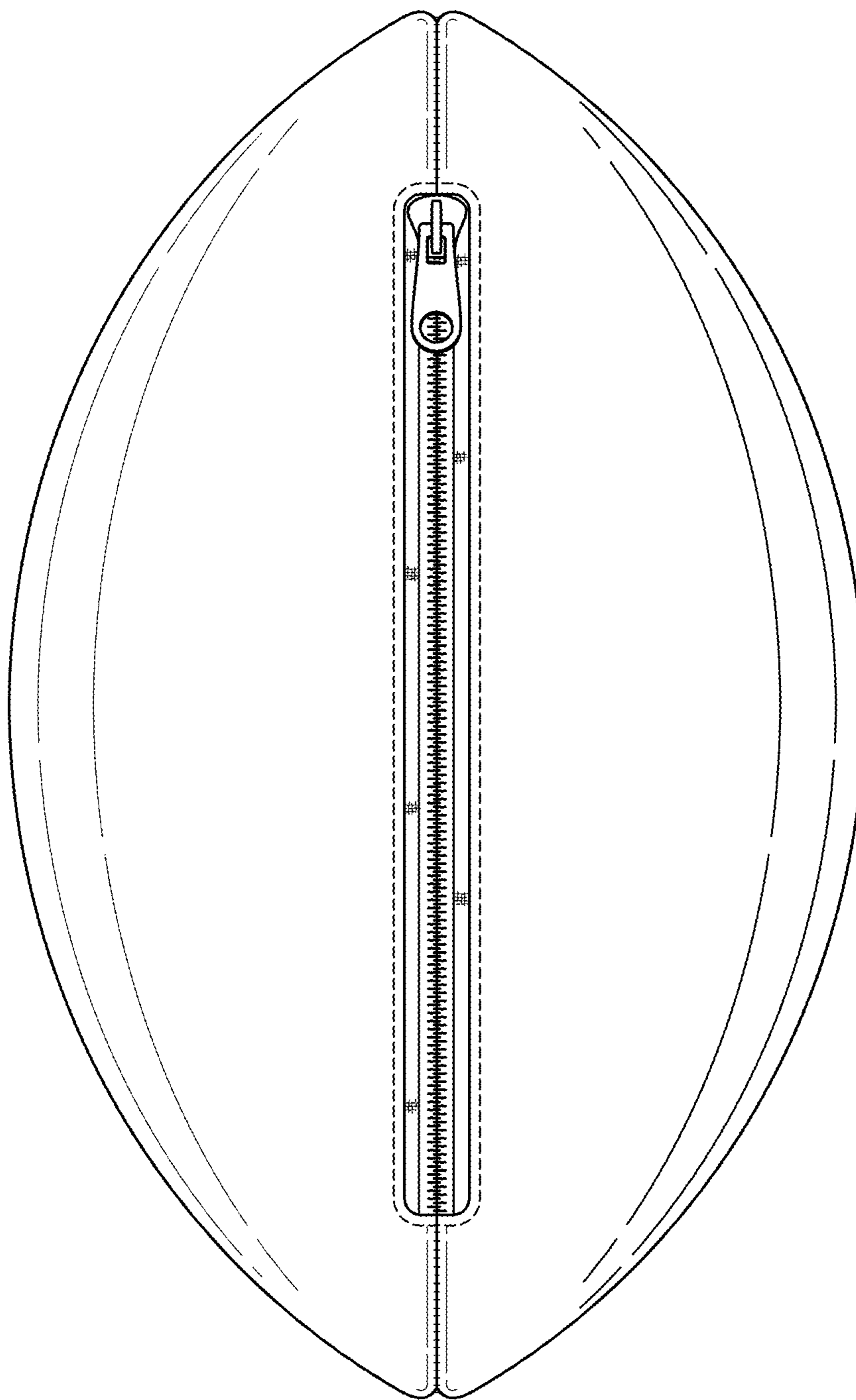


FIG. 2

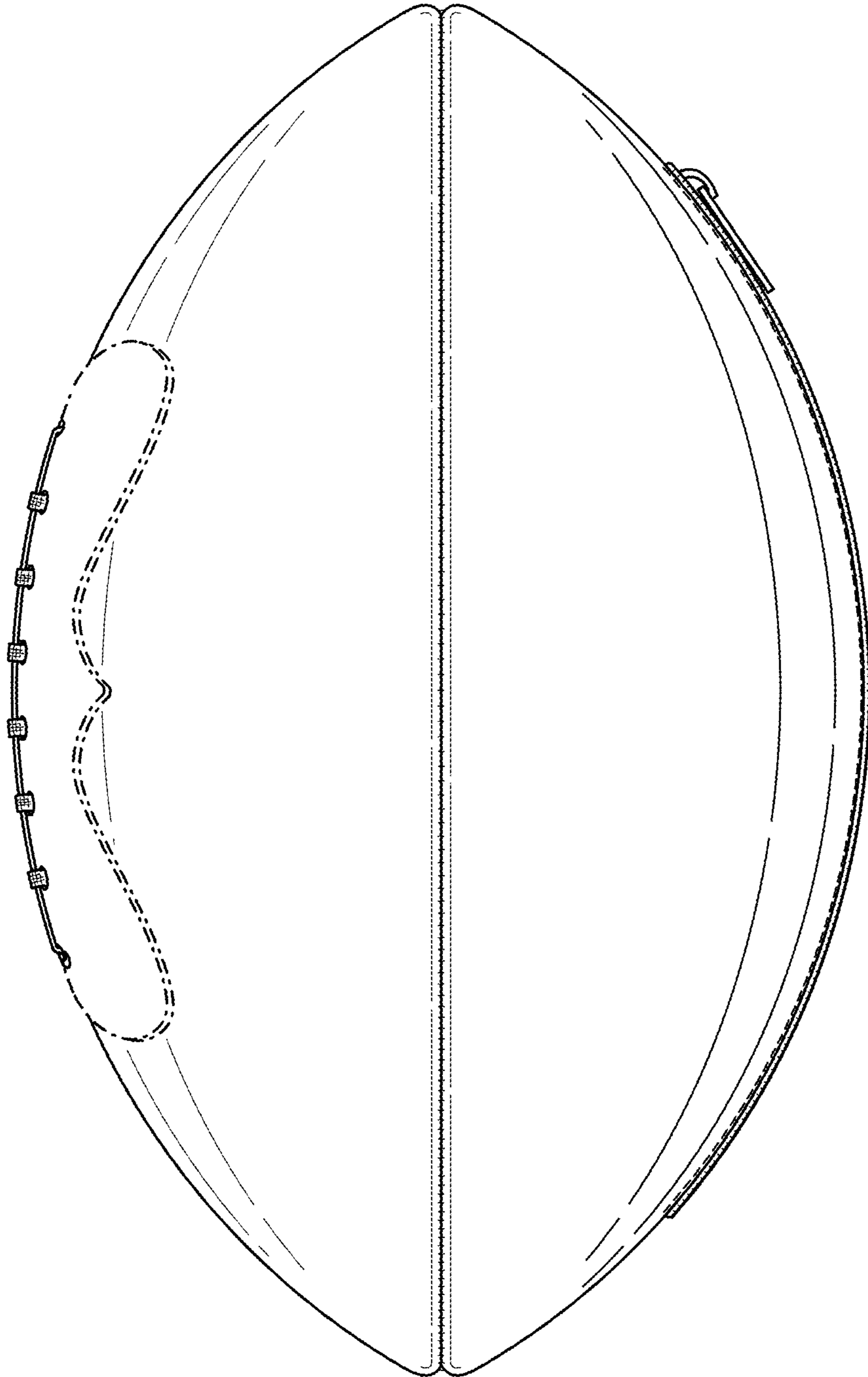


FIG. 3

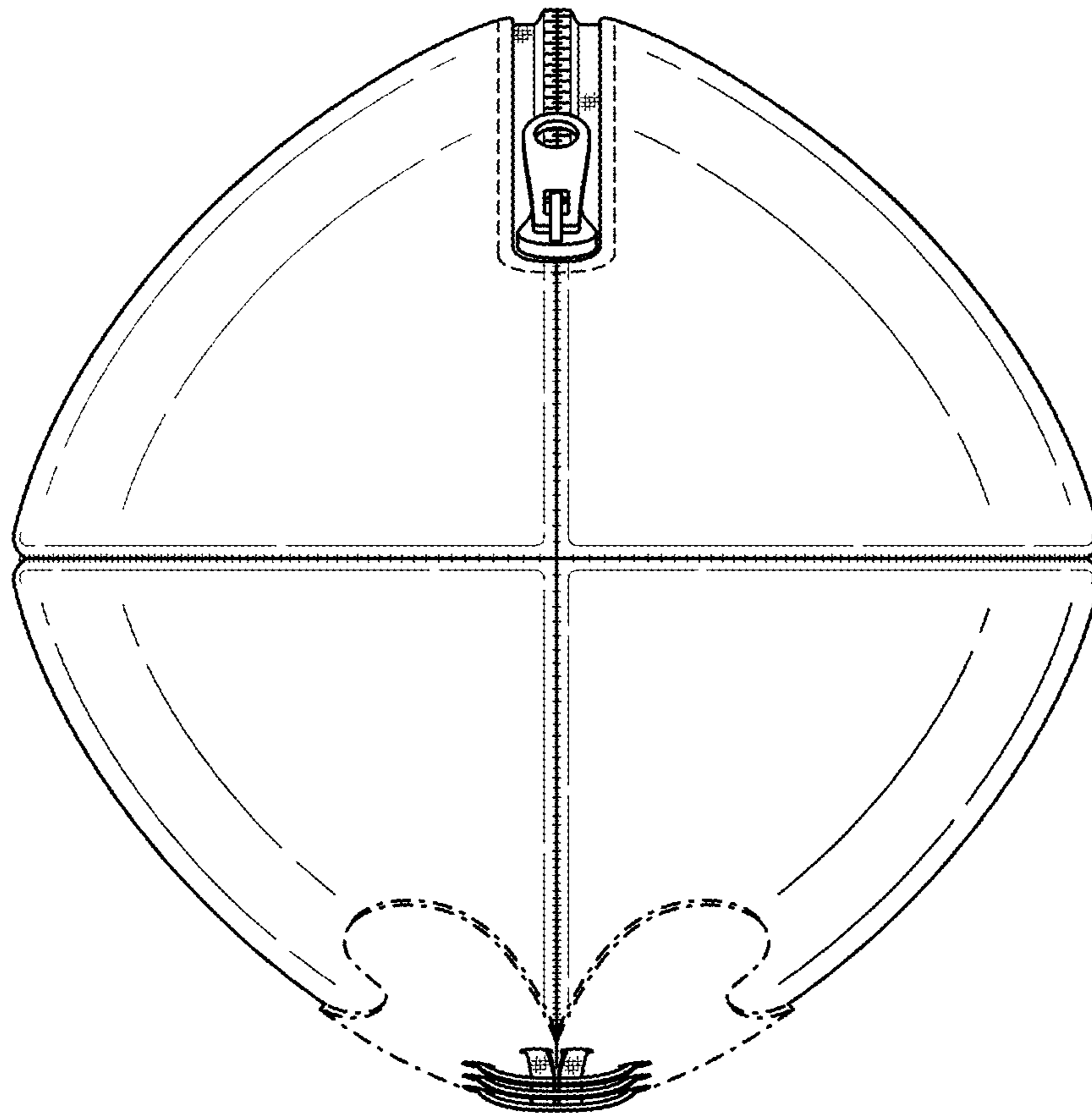


FIG. 4

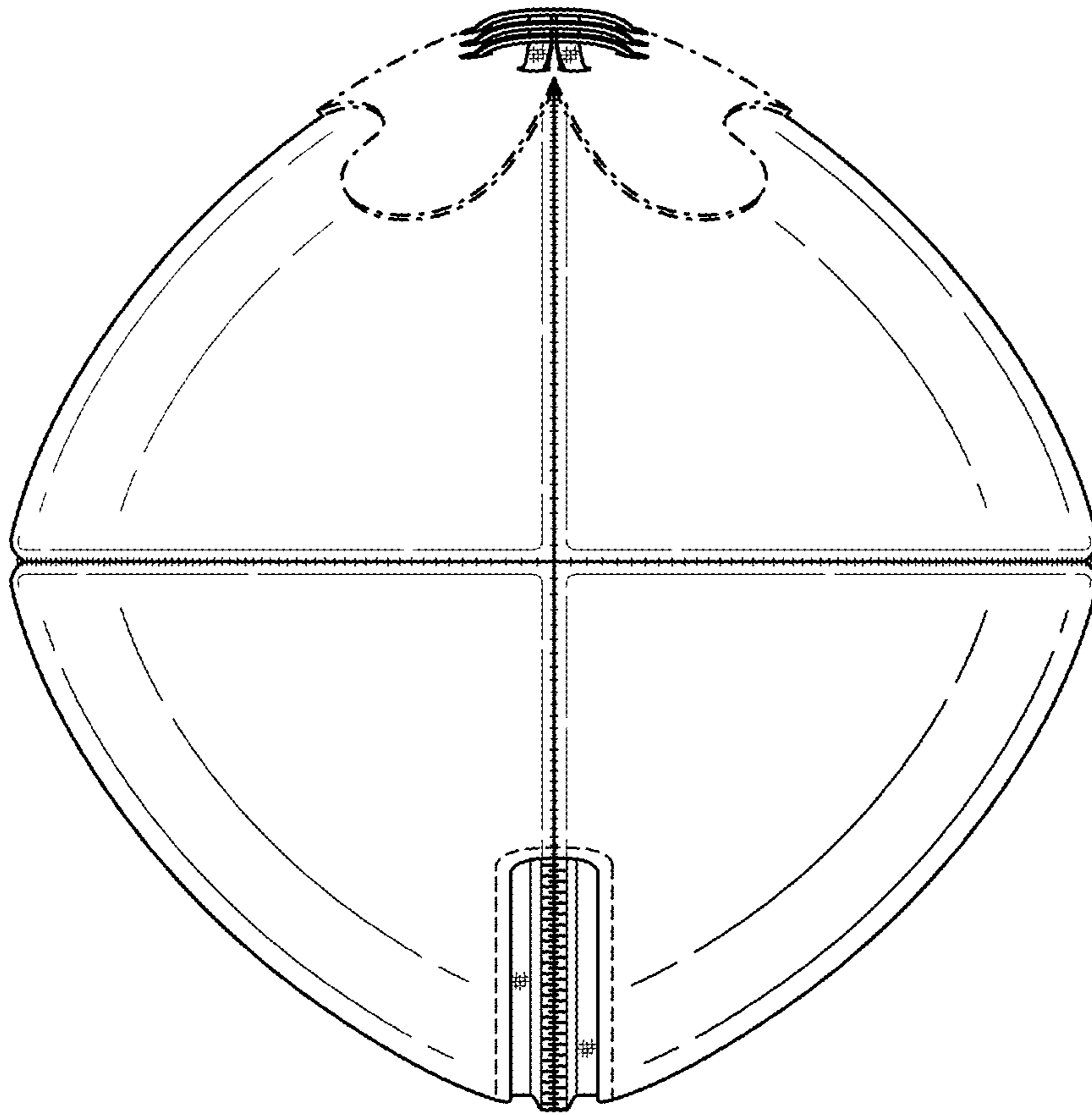


FIG. 5