



US00D793714S

(12) **United States Design Patent**
Zhou et al.

(10) **Patent No.:** **US D793,714 S**
(45) **Date of Patent:** **** Aug. 8, 2017**

(54) **CARRYING CASE FOR MEDICAL DELIVERY DEVICE**

FOREIGN PATENT DOCUMENTS

(71) Applicant: **ABBVIE INC.**, North Chicago, IL (US)

CN 302003508 7/2012
EM 001699448-0001 5/2010

(Continued)

(72) Inventors: **Ji Zhou**, Lake Villa, IL (US); **Shawn Malloy**, Chicago, IL (US); **Grant Whitney**, Chicago, IL (US); **Rajkumar Conjeevaram**, Lake Bluff, IL (US); **Phil Anderson**, Libertyville, IL (US); **David Lacewell**, Naperville, IL (US); **Mehdi Megdoud**, Antony (FR); **Mikael Tutschke-Saettler**, Moehlin (CH); **Damon Vaughan**, Chicago, IL (US); **Derek Leatzow**, Chicago, IL (US); **Sean Corrigan**, Chicago, IL (US); **John White**, Chicago, IL (US); **Michael Lau**, Chicago, IL (US)

OTHER PUBLICATIONS

Advantages of a Police Outer Vest Carrier, Announced Oct. 8, 2013, [Site Visited Mar. 28, 2016] <http://www.blauer.com/dispatch/advantages-of-a-police-outer-vest-carrier/>.

(Continued)

Primary Examiner — John Windmuller
Assistant Examiner — Steven Czyz
(74) *Attorney, Agent, or Firm* — Baker Botts L.L.P.

(73) Assignee: **ABBVIE INC.**, North Chicago, IL (US)

(57) **CLAIM**

The ornamental design for a carrying case for medical delivery device, as shown and described.

(**) Term: **14 Years**

DESCRIPTION

(21) Appl. No.: **29/524,020**

FIG. 1 is a perspective view of a carrying case for medical delivery device.

(22) Filed: **Apr. 15, 2015**

FIG. 2 is a front view of the carrying case for medical delivery device of FIG. 1.

(51) **LOC (10) Cl.** **03-01**

FIG. 3 is a rear view of the carrying case for medical delivery device of FIG. 1.

(52) **U.S. Cl.**
USPC **D3/203.1**

FIG. 4 is a left side view of the carrying case for medical delivery device of FIG. 1.

(58) **Field of Classification Search**
USPC D3/201, 203.1, 203.2, 203.3, 203.5, D3/203.6, 203.7, 203.8, 215, 227, 228,
(Continued)

FIG. 5 is a right side view of the carrying case for medical delivery device of FIG. 1.

FIG. 6 is a top view of the carrying case for medical delivery device of FIG. 1.

(56) **References Cited**

U.S. PATENT DOCUMENTS

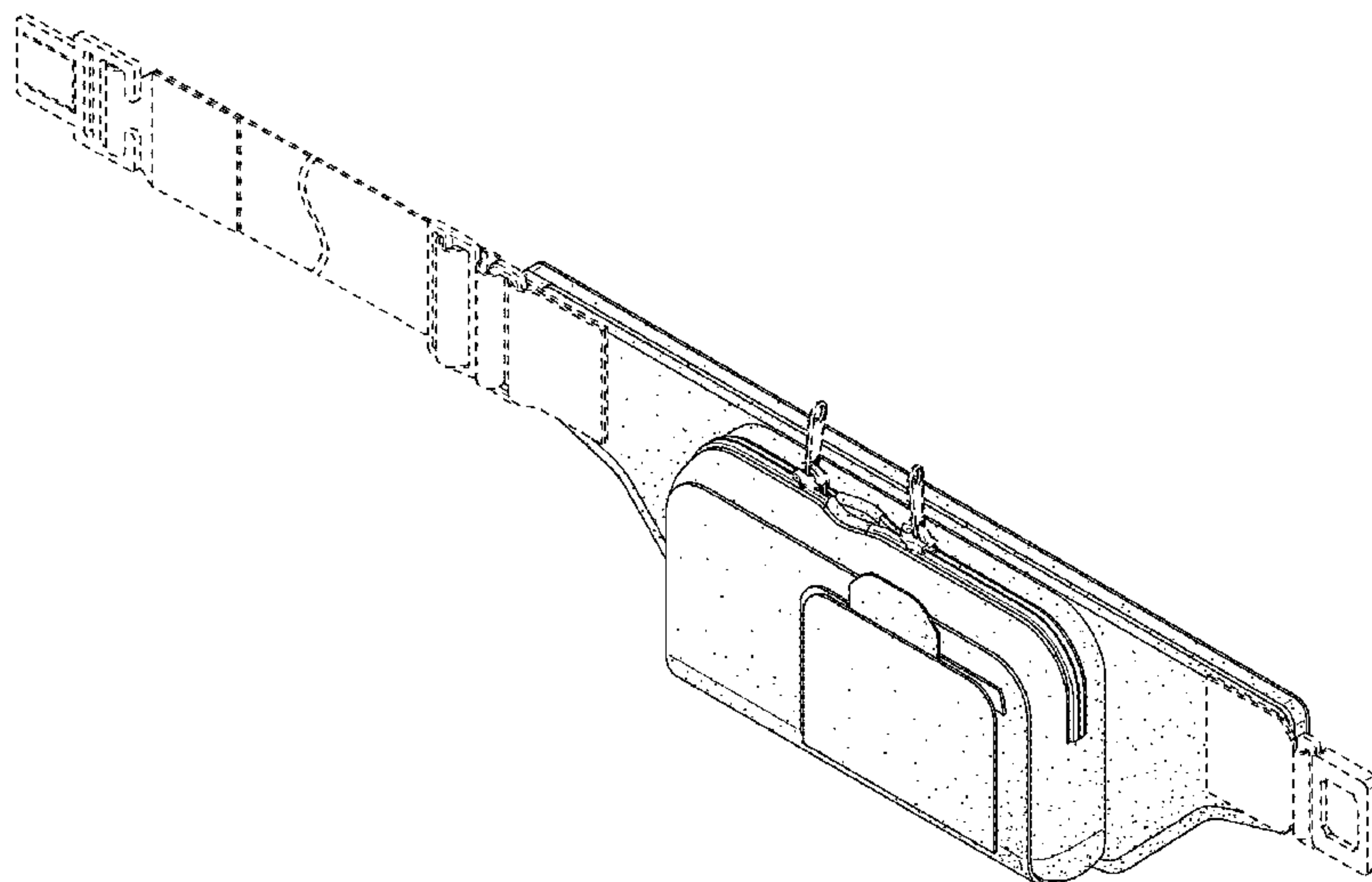
D29,559 S 10/1898 Tesiny
D170,156 S 8/1953 Hagan
(Continued)

FIG. 7 is a bottom view of the carrying case for medical delivery device of FIG. 1; and,

FIG. 8 is a perspective view of the carrying case for medical delivery device of FIG. 1 in an open configuration.

The broken lines depict portions of the article that form no part of the claimed design.

1 Claim, 6 Drawing Sheets



(58) **Field of Classification Search**

USPC D3/247, 252, 301, 303, 327; D24/199;
 D2/863, 864, 502, 624, 627, 628, 629,
 D2/636, 639; D29/101.1, 101.2, 101.3,
 D29/101.5
 CPC .. A41D 13/1245; A41D 27/20; A41D 27/205;
 A41D 2200/10; A41D 2400/48; A41D
 2600/10; A41D 2600/20; A44B 11/005;
 A45F 3/04; A45F 3/14; A45F 5/00; A45F
 2003/045; A45F 3/047; A45F 3/06; A45F
 2003/144; A45F 5/021; A45F 2200/05;
 A45F 2200/0508; A45F 2200/055
 See application file for complete search history.

(56) **References Cited**

U.S. PATENT DOCUMENTS

2,954,563 A 10/1960 De Grazia
 D237,022 S 10/1975 Mathis
 D245,537 S 8/1977 Gurgiolo
 D249,592 S * 9/1978 Libonati 224/222
 4,141,401 A * 2/1979 Hindemit A45C 11/00
 206/305
 4,201,290 A * 5/1980 Madden A45C 15/00
 132/314
 D256,850 S 9/1980 Donahue
 D257,910 S 1/1981 Viio
 D261,447 S 10/1981 Viio
 D263,641 S 4/1982 Nandorf
 D273,818 S 5/1984 Spencer
 D278,090 S 3/1985 Cochran
 D278,840 S 5/1985 Winston
 4,602,387 A 7/1986 Zakrzewski
 D292,015 S 9/1987 McWaters
 D293,618 S 1/1988 Berenson
 D293,841 S * 1/1988 Strobel D3/201
 4,764,962 A * 8/1988 Ekman H04R 1/02
 224/259
 D298,386 S * 11/1988 Hirahara 224/264
 D306,800 S * 3/1990 Yeager D3/203.8
 D315,242 S 3/1991 Ruge
 5,002,270 A 3/1991 Shine
 D340,794 S 11/1993 Winston
 D345,861 S * 4/1994 Knox D3/203.7
 D351,061 S 10/1994 Coons
 D352,606 S * 11/1994 Cylvick D3/203.1
 D356,883 S 4/1995 Ganahl
 D360,517 S 7/1995 Reizenstein
 D362,540 S 9/1995 McNamara et al.
 D363,593 S 10/1995 Murray
 5,465,424 A 11/1995 Cudney et al.
 5,477,998 A 12/1995 Reckler
 D370,991 S * 6/1996 Christianson D2/861
 D377,861 S * 2/1997 Jacober D3/203.1
 D380,086 S * 6/1997 Brassard D3/215
 5,645,080 A * 7/1997 Toso A61F 5/028
 128/876
 D382,106 S 8/1997 Hillestad
 D382,995 S 9/1997 Hale
 D384,788 S 10/1997 Curry
 5,708,978 A 1/1998 Johnsrud
 D390,338 S 2/1998 Plasco
 D391,682 S 3/1998 Palembas
 D392,439 S 3/1998 Okoniewski
 D393,947 S * 5/1998 Alves D3/201
 5,772,014 A * 6/1998 Jacober A45C 11/005
 150/116
 D395,736 S * 7/1998 Walters D2/860
 D397,838 S * 9/1998 Waggoner D14/192
 D398,738 S 9/1998 De La Rosa
 D402,788 S 12/1998 Blankenship, Jr.
 D404,908 S 2/1999 Lollis
 D409,697 S 5/1999 Ott
 D413,430 S 9/1999 Granata
 D414,913 S 10/1999 Katz et al.

D418,287 S 1/2000 Moor
 D425,295 S * 5/2000 Borja D3/203.1
 D426,058 S * 6/2000 Gaines D3/215
 D428,696 S 8/2000 Fier
 D428,700 S * 8/2000 Hillman D3/201
 D429,564 S * 8/2000 Carver D3/226
 D429,881 S 8/2000 Gray
 D435,168 S * 12/2000 Momburg D3/215
 D435,169 S * 12/2000 Carver D3/226
 D435,170 S * 12/2000 Haapala D3/247
 D435,611 S * 12/2000 Hines D2/627
 D447,342 S * 9/2001 Guy D3/301
 D453,264 S 2/2002 Acevedo, Jr.
 D455,009 S * 4/2002 Thayer D3/316
 D455,255 S * 4/2002 Zeigler D3/218
 D461,036 S 8/2002 Forbes
 D472,702 S * 4/2003 Hassett D3/218
 D475,837 S 6/2003 Neider
 D479,647 S 9/2003 Paura et al.
 D480,207 S 10/2003 Marks
 D482,865 S * 12/2003 Fair D3/215
 6,675,391 B2 1/2004 Morrison
 D487,844 S * 3/2004 Nichols D3/215
 D489,163 S 5/2004 Tucker
 D491,355 S * 6/2004 Slood D3/247
 D491,357 S * 6/2004 Hassett D3/263
 D495,484 S * 9/2004 Marks D3/215
 D496,155 S * 9/2004 Londono D3/215
 D498,048 S 11/2004 Reichardt
 D502,803 S 3/2005 Racov et al.
 6,874,163 B2 4/2005 Marshall
 D512,216 S * 12/2005 Joyce D3/203.6
 D515,805 S 2/2006 Jones
 D516,813 S 3/2006 Tortorella et al.
 7,058,982 B2 6/2006 Atallah et al.
 D538,509 S 3/2007 Silverman
 D543,032 S * 5/2007 Owenby D3/303
 D544,711 S * 6/2007 Mundy D3/247
 D545,028 S 6/2007 Myrick
 D548,460 S 8/2007 Le Coq et al.
 D556,452 S * 12/2007 Hydon D3/247
 D565,837 S 4/2008 Miles
 D567,505 S 4/2008 Le Coq et al.
 D572,465 S * 7/2008 Beck D3/215
 D580,633 S 11/2008 Cross
 D584,895 S * 1/2009 Holzner D3/247
 D588,798 S * 3/2009 Combs, Jr. D3/203.1
 D589,249 S * 3/2009 Laws D3/203.1
 D594,223 S * 6/2009 Jackson D3/215
 D598,191 S 8/2009 Tang et al.
 D602,678 S 10/2009 Foley
 D602,689 S 10/2009 Hewitt
 D606,749 S * 12/2009 Mittelman D3/247
 D610,346 S * 2/2010 Eriksen D3/247
 D611,681 S 3/2010 Pettingill et al.
 D614,048 S 4/2010 Smith
 D615,296 S * 5/2010 Bassee D3/232
 D621,152 S * 8/2010 Lebow D3/203.1
 D622,036 S 8/2010 Mason, III
 D622,956 S * 9/2010 Hoffman D3/215
 D652,214 S 1/2012 Swartz et al.
 D653,430 S 2/2012 Pouches
 D655,478 S 3/2012 McCollum
 D669,268 S * 10/2012 Phillips D3/301
 D677,861 S 3/2013 Perry
 D683,933 S 6/2013 Robbins
 D685,159 S 7/2013 Lambertz
 D685,187 S 7/2013 Willows et al.
 D688,915 S * 9/2013 Green D3/215
 D689,262 S 9/2013 Passman
 D689,690 S * 9/2013 Hordos D3/215
 D690,502 S * 10/2013 Bergquist D3/216
 D691,809 S * 10/2013 Palevac D3/327
 D692,665 S * 11/2013 Willows D3/303
 D695,011 S * 12/2013 Morszeck D3/247
 D706,031 S 6/2014 Willows et al.
 D706,532 S * 6/2014 Wilbur D3/215
 D707,424 S 6/2014 Pezzimenti
 D712,144 S * 9/2014 Albanese D3/301

(56)

References Cited

U.S. PATENT DOCUMENTS

D714,022 S 9/2014 Mong et al.
 8,820,596 B1* 9/2014 Bergquist A45F 4/02
 224/153
 D716,045 S 10/2014 Requa
 D718,930 S * 12/2014 Cabana D3/215
 D719,732 S * 12/2014 Hyzdu D3/303
 8,960,511 B2* 2/2015 Shepherd A45C 3/00
 224/259
 D723,263 S 3/2015 Zhuang et al.
 D723,804 S * 3/2015 Coleman D3/301
 D728,218 S * 5/2015 Goldstein D12/417
 D732,818 S * 6/2015 Pineda D3/215
 D734,567 S 7/2015 Broder
 D739,142 S * 9/2015 Coleman D3/285
 9,265,331 B1* 2/2016 Hoffman A45F 5/00
 D764,147 S * 8/2016 Zhou D2/829
 D764,168 S 8/2016 Hyslop
 D764,800 S * 8/2016 Juniper D3/303
 D769,621 S * 10/2016 Hissong D3/303
 2004/0153012 A1 8/2004 Schroeder
 2005/0067246 A1* 3/2005 Teicher A45C 13/08
 190/124
 2005/0241972 A1* 11/2005 Hassett A45C 5/06
 206/320

2007/0051645 A1* 3/2007 Hassett A45F 5/022
 206/316.2
 2009/0134190 A1* 5/2009 O'Neill A45C 11/00
 224/191
 2009/0140017 A1* 6/2009 Boyd A45F 5/02
 224/199
 2009/0301511 A1* 12/2009 Vinci A45C 11/008
 132/316
 2011/0154889 A1* 6/2011 Stafford G01N 33/48778
 73/61.59
 2014/0367438 A1 12/2014 Hunt et al.

FOREIGN PATENT DOCUMENTS

KR 300432848.0000 12/2006
 KR 300764966.0000 10/2014
 NO 20090182-0010 11/2009

OTHER PUBLICATIONS

Improve Osteopenia and Osteoporosis by Wearing this Weight Vest, Announced Aug. 20, 2013 [Site Visited Mar. 28, 2016] <http://weightvest4osteoporosis.com/>.
 Warrior Class Studios, Announced Jul. 24, 2013 [Site Visited Mar. 28, 2016] <http://warriorclassstudios.blogspot.com/2013/07/warriorclassstudios-another-essential.html>.

* cited by examiner

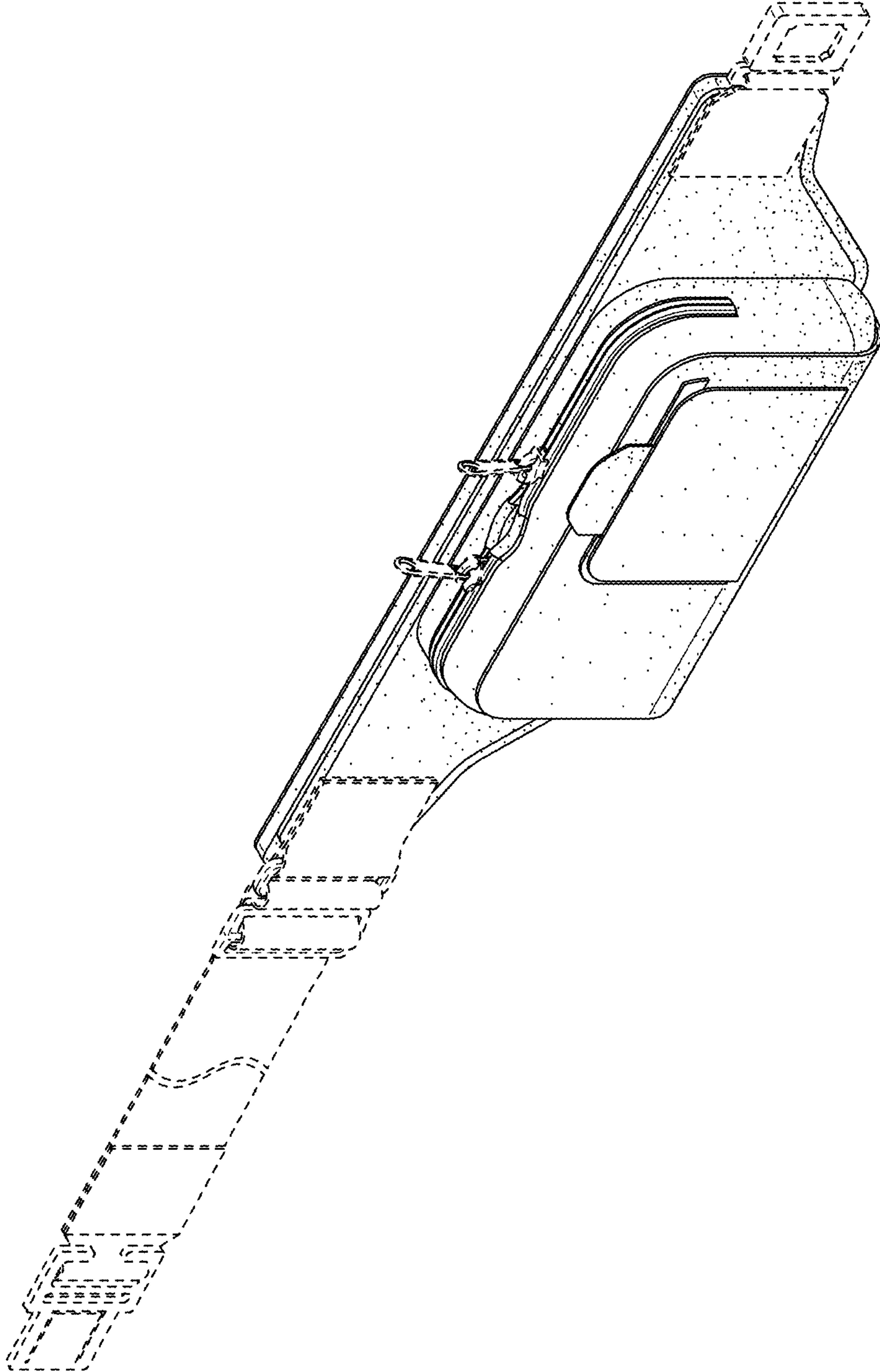


FIG. 1

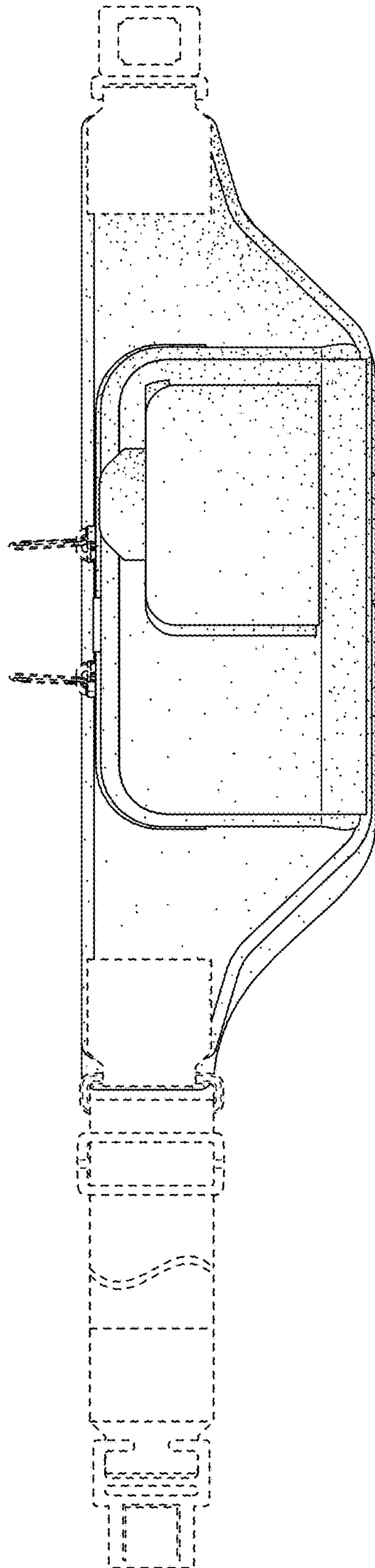


FIG. 2

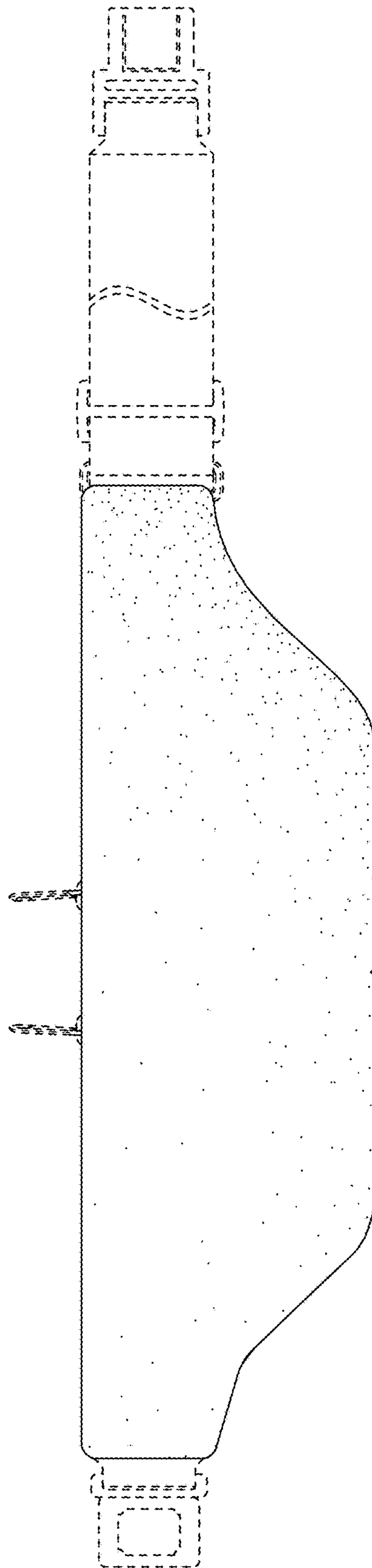


FIG. 3

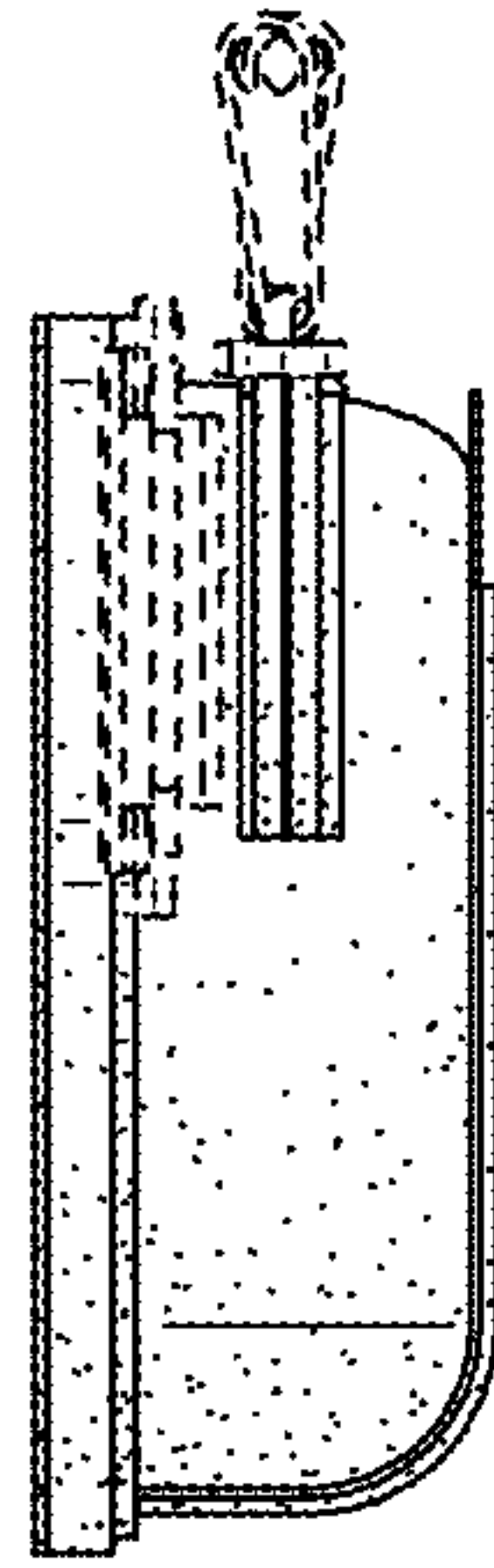


FIG. 4



FIG. 5

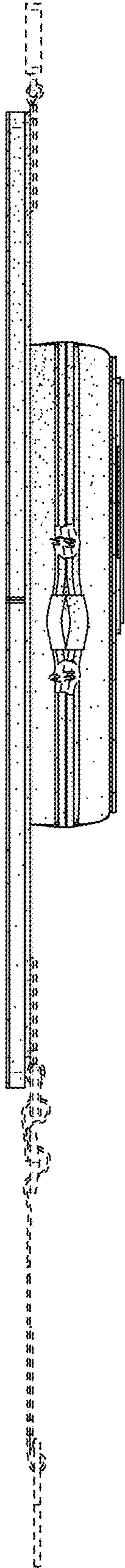


FIG. 6

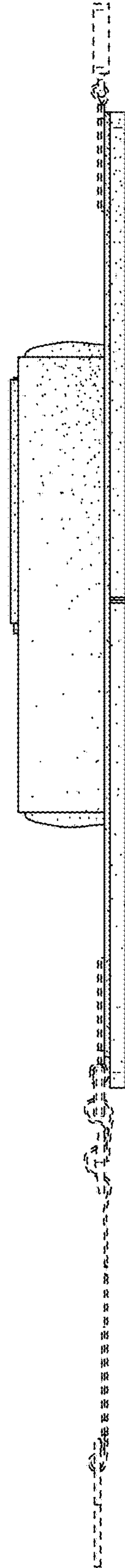


FIG. 7

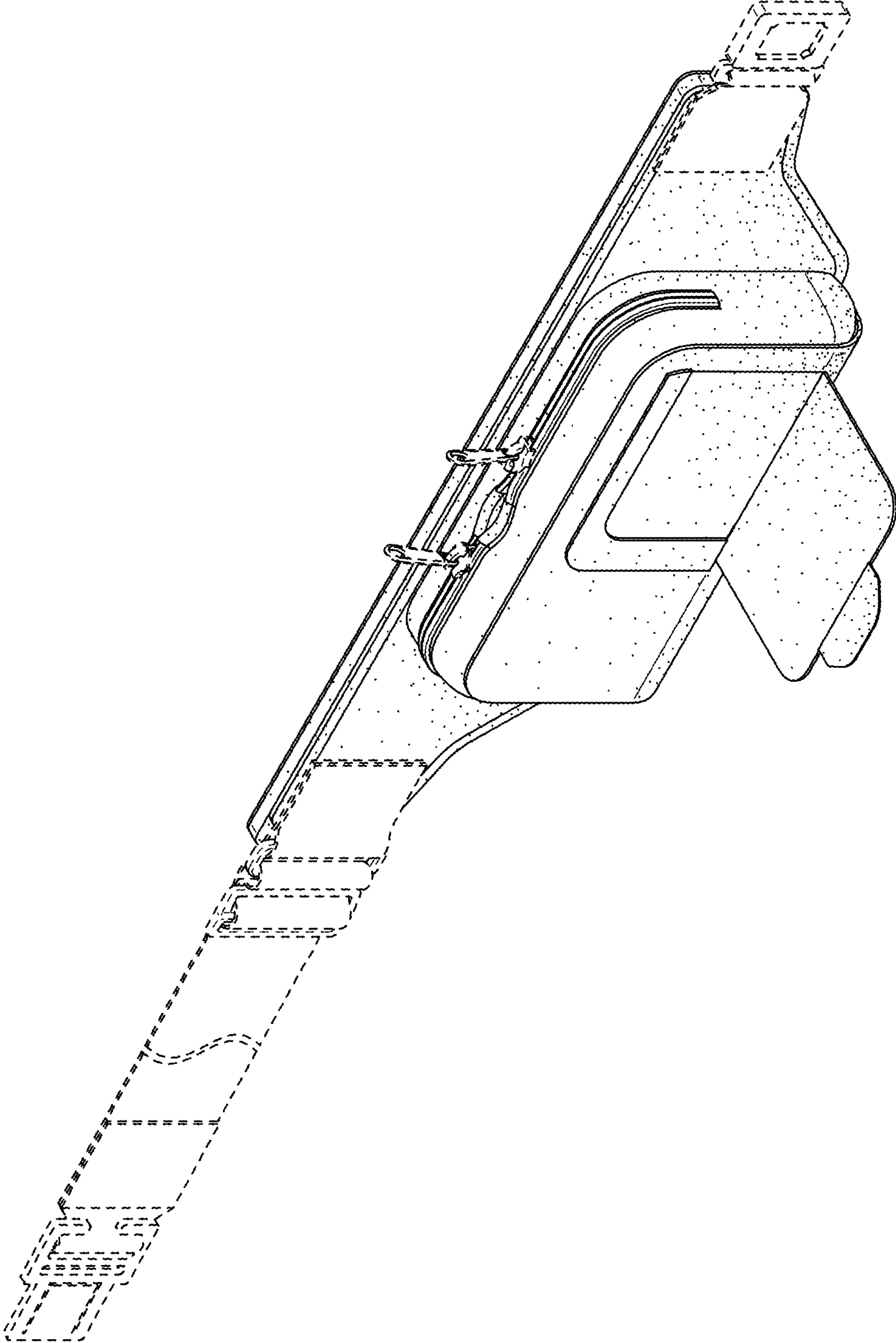


FIG. 8