



US00D793712S

(12) **United States Design Patent** (10) **Patent No.:** **US D793,712 S**
McNeal (45) **Date of Patent:** **** Aug. 8, 2017**

- (54) **SHOE COVERING STRAP**
- (71) Applicant: **Cameron McNeal**, Lakewood, NJ (US)
- (72) Inventor: **Cameron McNeal**, Lakewood, NJ (US)
- (**) Term: **15 Years**
- (21) Appl. No.: **29/561,661**
- (22) Filed: **Apr. 19, 2016**
- (51) **LOC (10) Cl.** **02-04**
- (52) **U.S. Cl.**
USPC **D2/976**
- (58) **Field of Classification Search**
USPC D2/896, 946, 976, 625, 627, 639, 943,
D2/969, 977
CPC A43B 1/00; A43B 3/00; A43B 3/12; A43B
7/14; A43B 7/1405; A43B 7/141; A43B
7/1415; A43B 7/142; A43B 7/143; A43B
7/1445; A43B 7/1475; A43B 7/32; A43B
23/24
See application file for complete search history.

5,996,258 A	12/1999	Simmons	
D425,996 S *	5/2000	Owen, Jr.	D24/189
6,286,234 B1	9/2001	Smith, Jr.	
D453,413 S *	2/2002	Tsujino	D2/978
D460,612 S *	7/2002	Duffy	D2/976
D470,304 S *	2/2003	Berg	D2/978
D482,514 S	11/2003	Whittington	
D504,727 S *	5/2005	Schirrmacher	D24/190
D505,777 S *	6/2005	Dunlap	D2/901
D598,642 S *	8/2009	Plumert	D2/946
D604,037 S *	11/2009	Feller	D2/946
D636,154 S *	4/2011	Teichert	D2/901
D641,962 S	7/2011	Daniels	
8,112,910 B2	2/2012	Herber	
D664,332 S *	7/2012	Garcia Mira	D2/925
D711,080 S *	8/2014	Hollister	D2/946
D725,344 S *	3/2015	Rich	D2/624

FOREIGN PATENT DOCUMENTS

EP 1219192 A1 7/2002

* cited by examiner

Primary Examiner — Elizabeth J Oswecki

(57) **CLAIM**

The ornamental design for a shoe covering strap, as shown and described.

DESCRIPTION

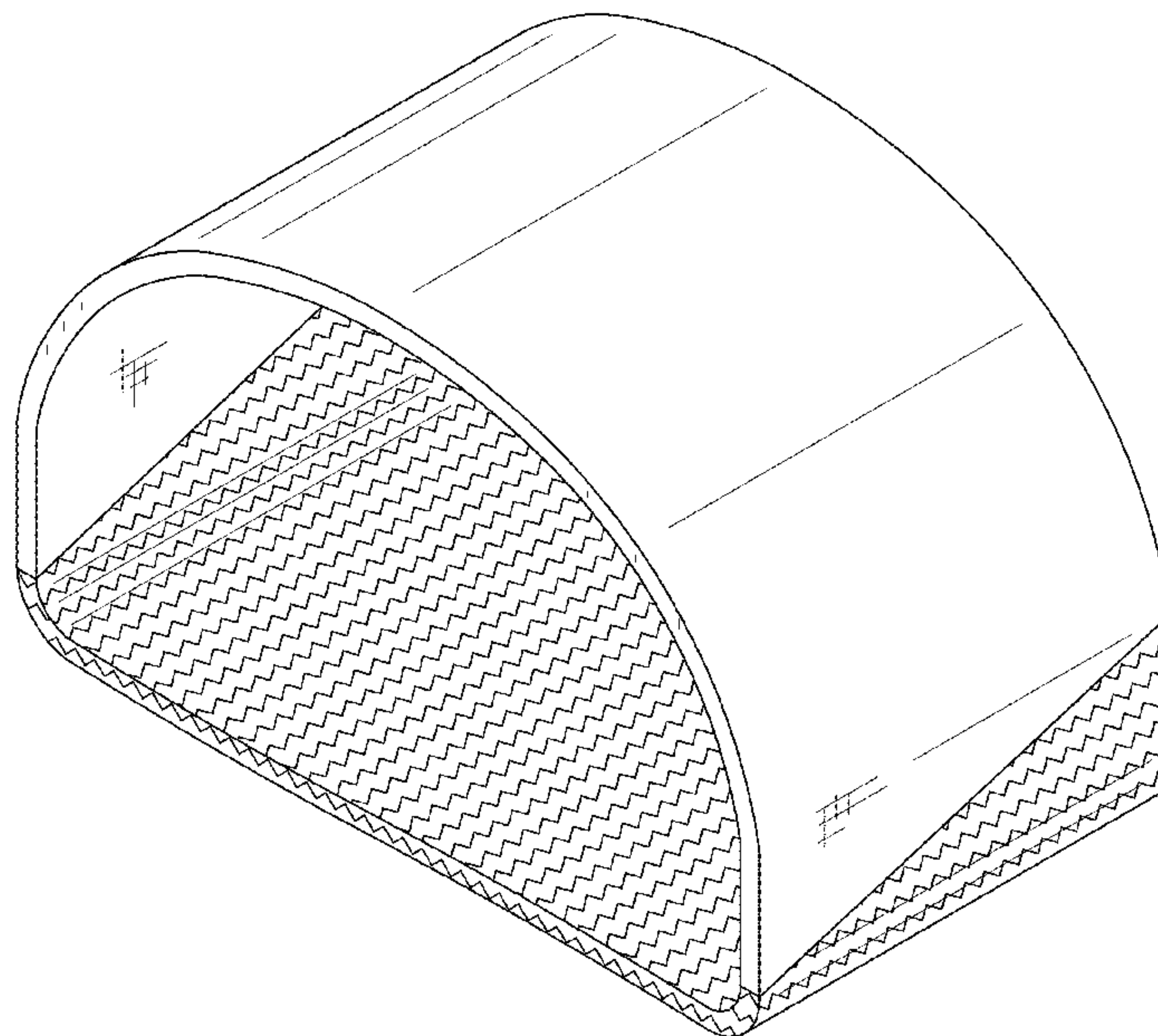
FIG. 1 is a front view of a shoe covering strap showing my new design;
FIG. 2 is a back view thereof;
FIG. 3 is a side view thereof;
FIG. 4 is a top view thereof;
FIG. 5 is a bottom view thereof; and,
FIG. 6 is a perspective view thereof.
All surfaces not shown form no part of the claimed design.

1 Claim, 6 Drawing Sheets

(56) **References Cited**

U.S. PATENT DOCUMENTS

D60,074 S *	12/1921	Tweedie	D2/901
D60,075 S *	12/1921	Tweedie	D2/901
D62,925 S *	8/1923	Thomas	36/2 R
2,640,281 A *	6/1953	Murphy	A41D 17/02 36/2 R
3,338,237 A *	8/1967	Sconce	A61F 5/05816 128/DIG. 20
3,812,606 A	5/1974	Merola	
4,766,682 A *	8/1988	Malloy, III	A43B 3/0078 36/132
D385,102 S *	10/1997	Avar	D2/946
5,873,185 A	2/1999	Harris	



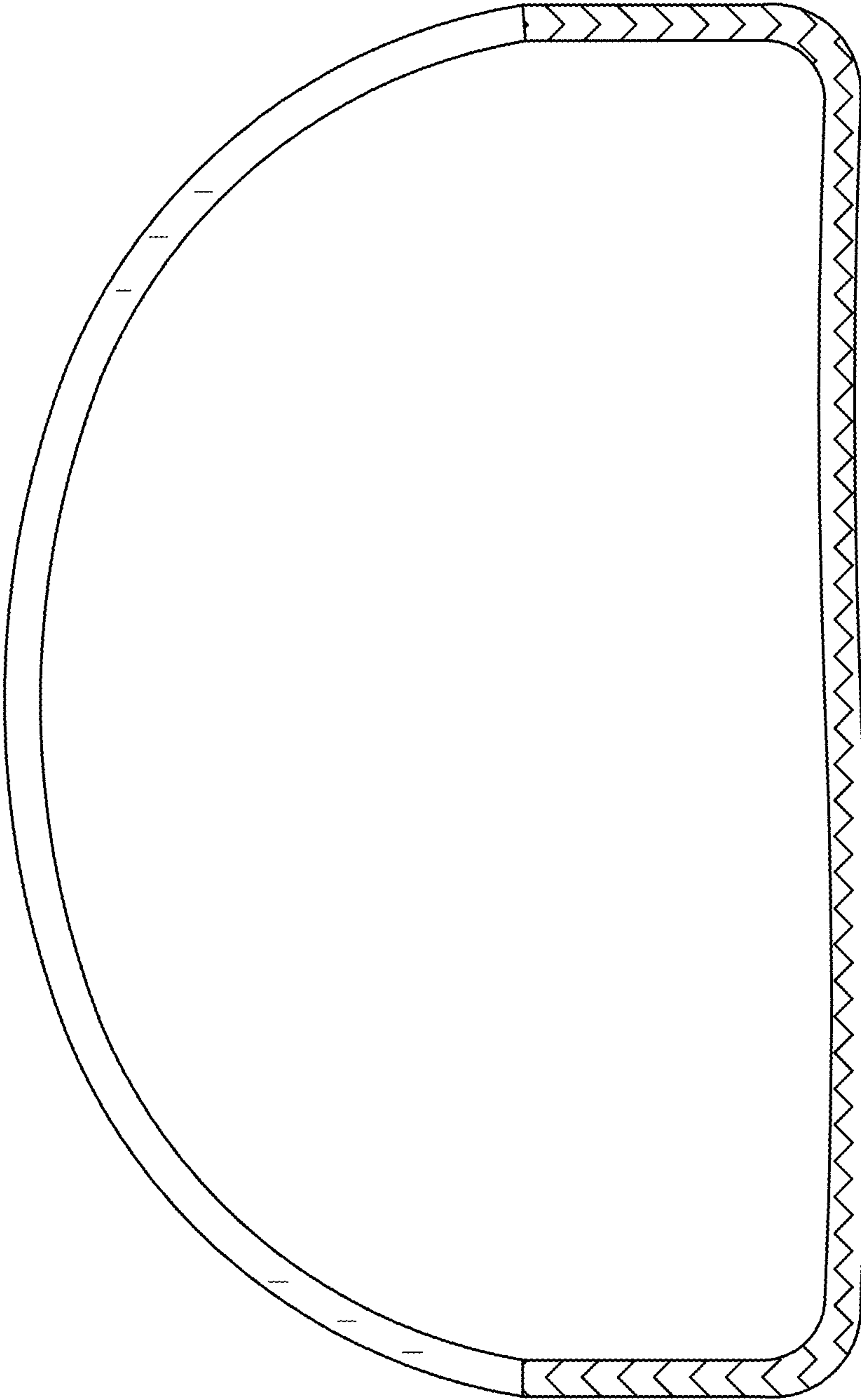


FIG. 1

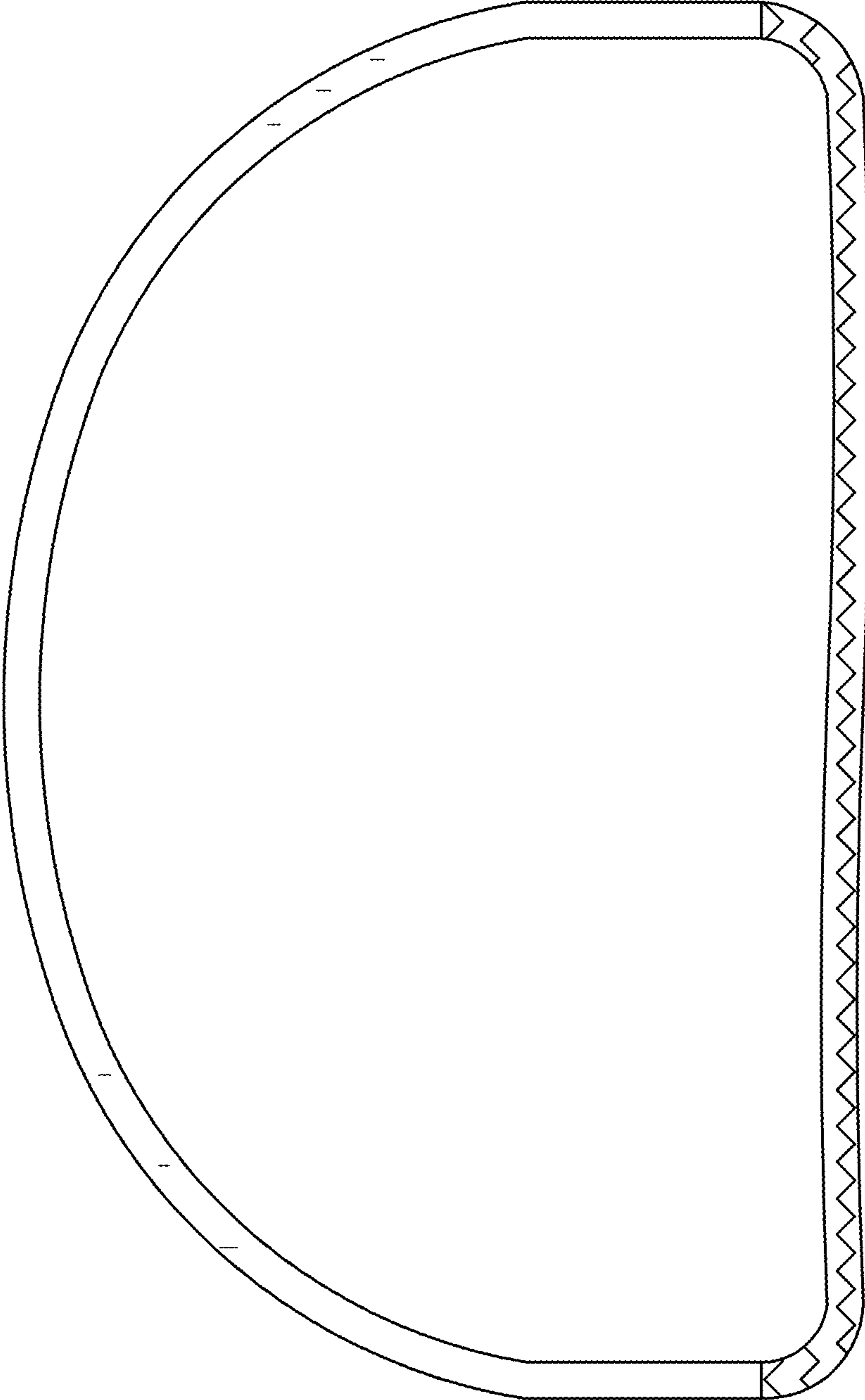


FIG. 2

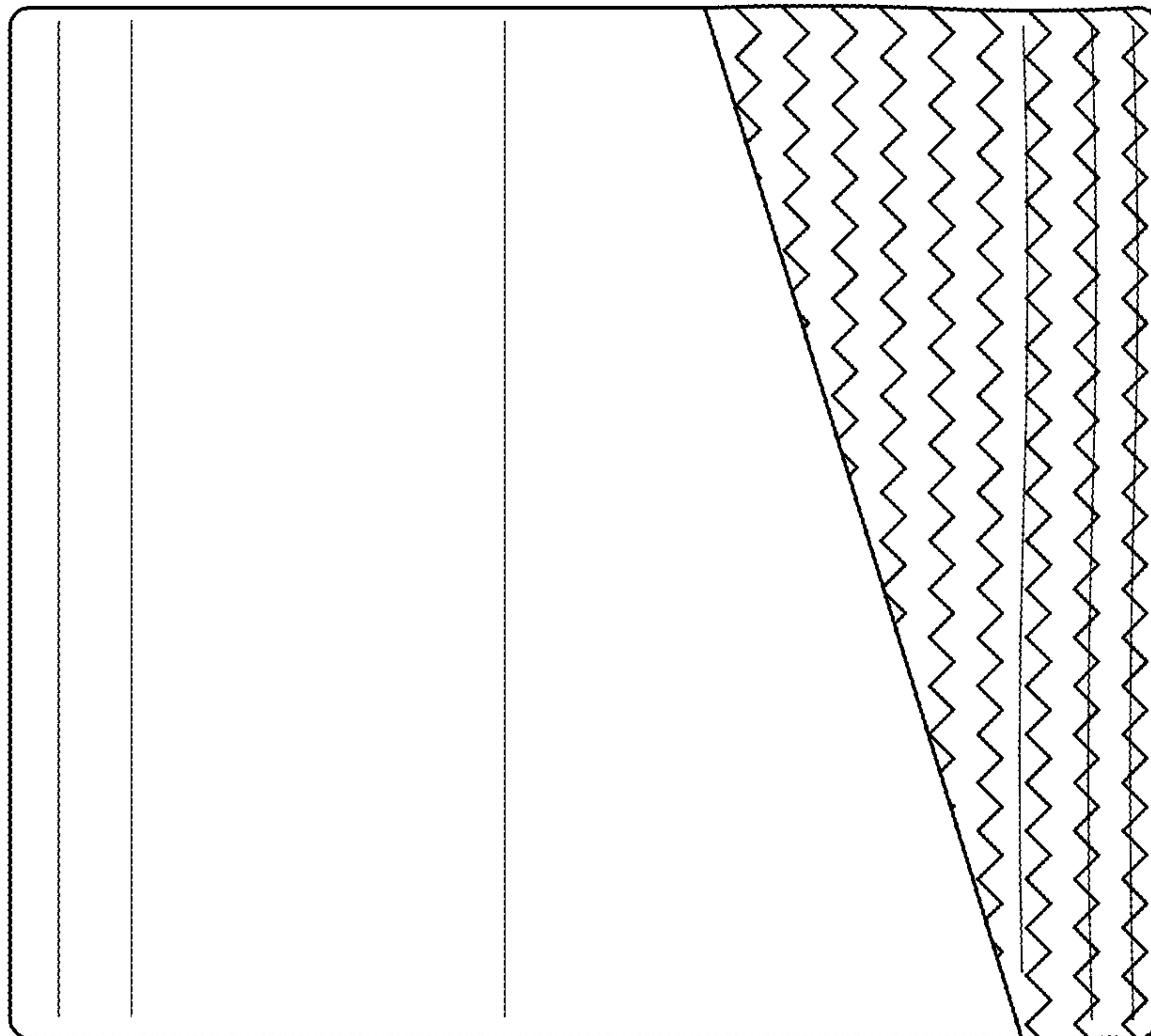


FIG. 3

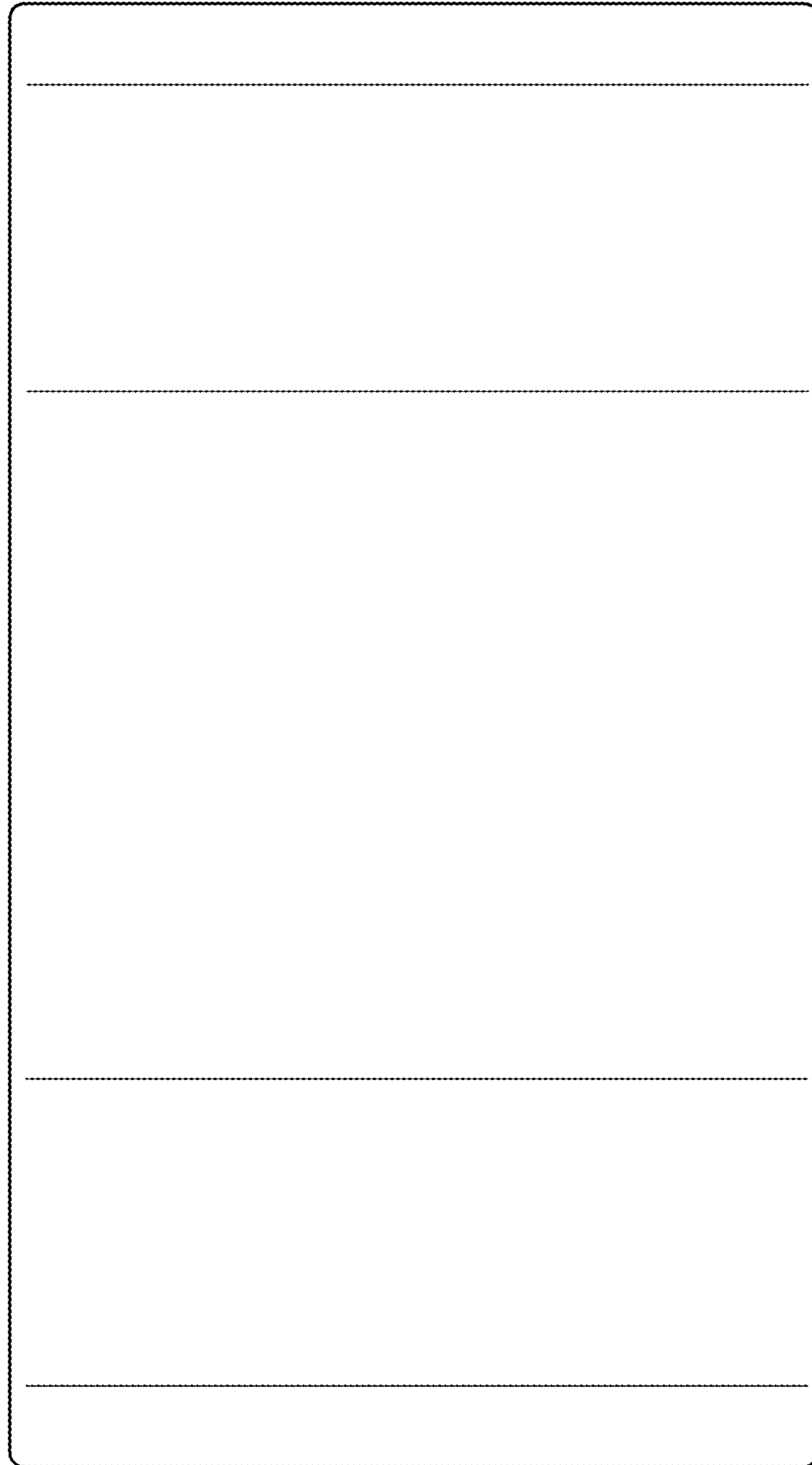


FIG. 4

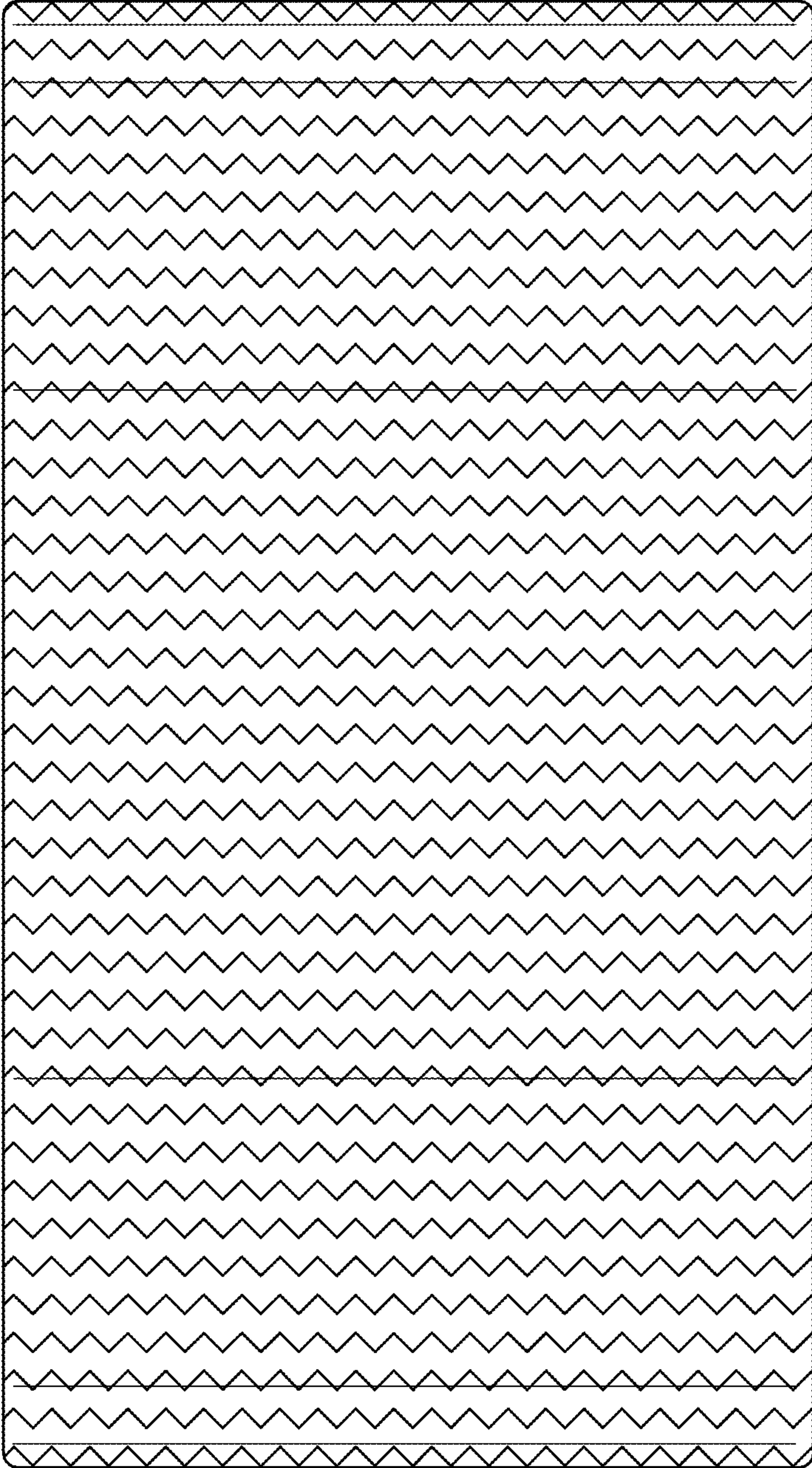


FIG. 5

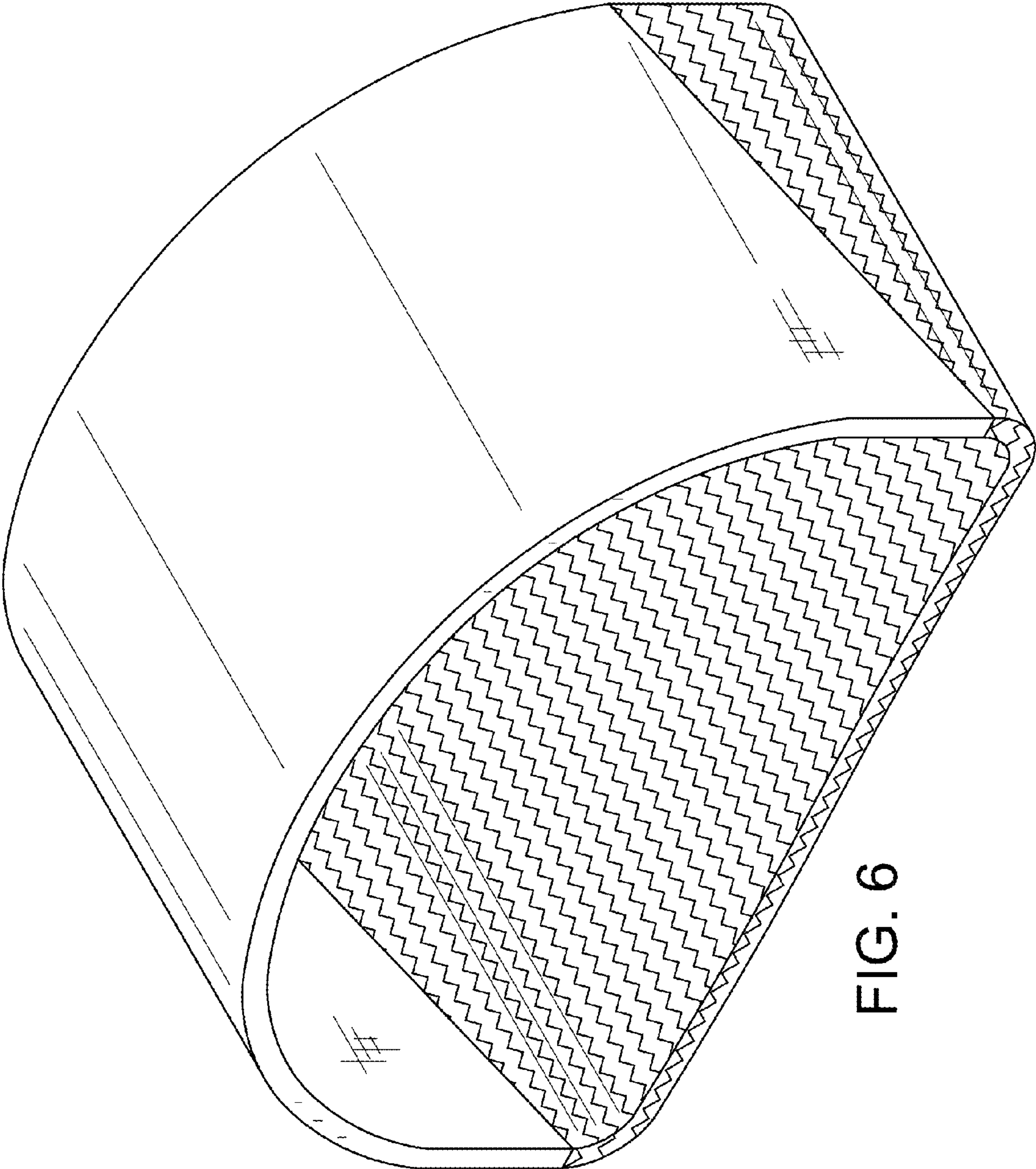


FIG. 6