

US00D793666S

(12) **United States Design Patent** (10) **Patent No.:** **US D793,666 S**  
**Sun** (45) **Date of Patent:** **\*\* Aug. 8, 2017**

(54) **DRESS**

(71) Applicant: **PROJECT GRAVITAS, LLC**, New York, NY (US)

(72) Inventor: **Lisa L. Sun**, New York, NY (US)

(73) Assignee: **PROJECT GRAVITAS, LLC**, New York, NY (US)

(\*\*) Term: **14 Years**

(21) Appl. No.: **29/461,265**

(22) Filed: **Jul. 19, 2013**

(51) **LOC (10) Cl.** ..... **02-02**

(52) **U.S. Cl.**  
USPC ..... **D2/800**

(58) **Field of Classification Search**  
USPC ..... D7/700, 702-704, 706-718, 720, 723, D7/724, 728, 731-739, 756, 757, 760, D7/772, 775, 785, 790, 793, 794, 796, D7/800, 801, 806, 817, 819, 821, 840, D7/860, 861; D5/30  
CPC ..... A41D 1/04; A41D 1/062; A41D 25/04; A41B 9/06; A41B 9/08; A63B 71/12  
See application file for complete search history.

(56) **References Cited**

**U.S. PATENT DOCUMENTS**

920,688	A *	5/1909	Taylor	.....	A41D 1/22 2/67
1,079,552	A *	11/1913	Herman	.....	A41D 1/22 2/218
1,287,859	A *	12/1918	Bright	.....	A41D 1/20 2/76
2,189,332	A *	2/1940	Spang	.....	A41D 1/20 2/76
D123,734	S *	11/1940	Gaudiosi	.....	D2/800
D130,628	S *	12/1941	Greene	.....	D2/816
D131,019	S *	1/1942	Fein	.....	D2/817
D133,800	S *	9/1942	Salfeety	.....	D2/724

(Continued)

**OTHER PUBLICATIONS**

Ruby Ribbon, <http://www.rubyribbon.com/pws/hommeoffice/tabs/intomi.aspx>.

(Continued)

*Primary Examiner* — Susan Bennett Hattan

*Assistant Examiner* — Jennifer Wright

(74) *Attorney, Agent, or Firm* — Drinker Biddle & Reath LLP

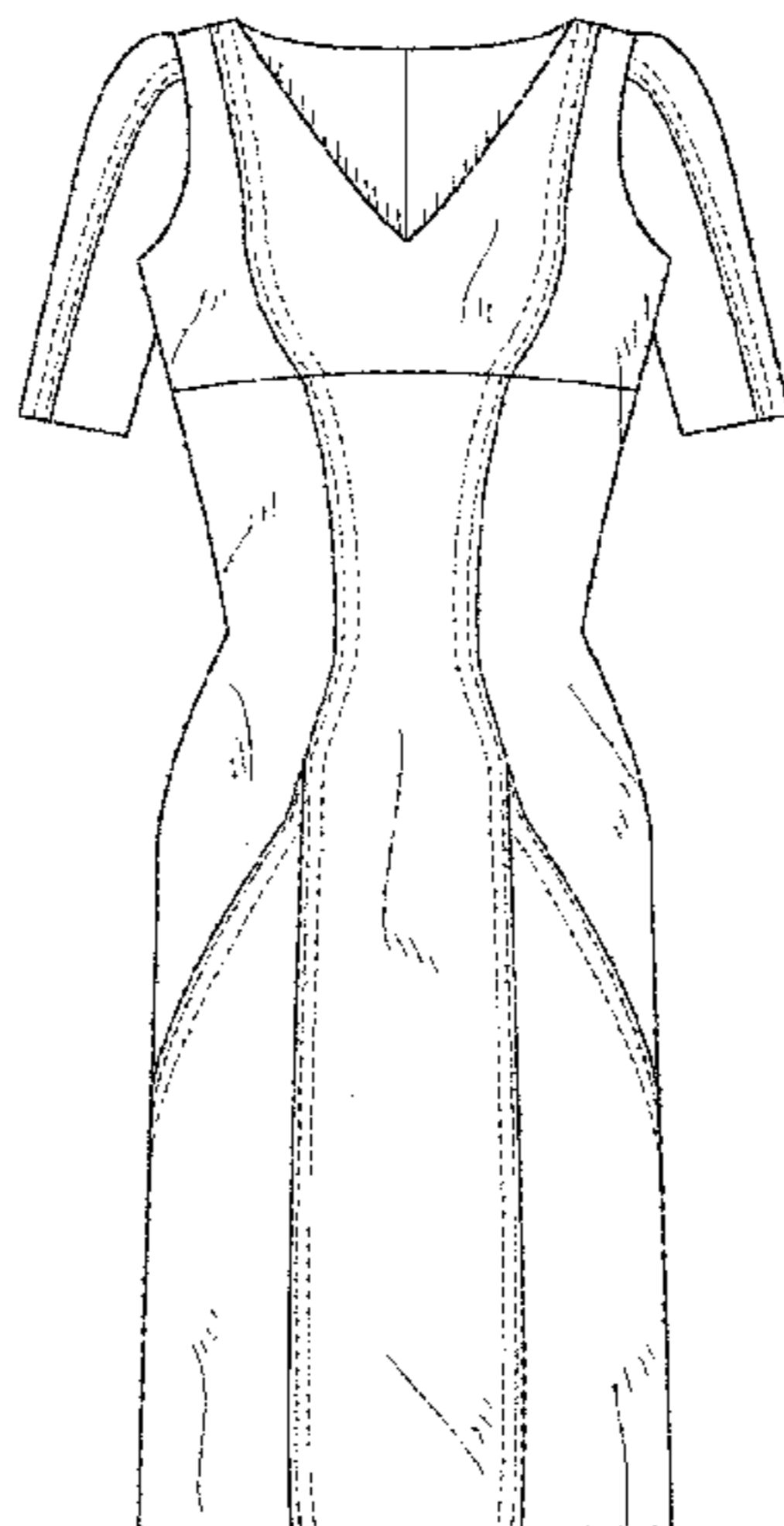
(57) **CLAIM**

The ornamental design for a dress, as shown and described.

**DESCRIPTION**

FIG. 1 is a front view of a dress.  
 FIG. 2 is a rear view of the dress.  
 FIG. 3 is a left side view of the dress.  
 FIG. 4 is a right side view of the dress.  
 FIG. 5 is a top view of the dress.  
 FIG. 6 is a bottom view of the dress.  
 FIG. 7 is a partial back view of the dress with the zipper open, near arrow 7 in FIG. 2.  
 FIG. 8 is a partial back view of the dress with the zipper open, near arrow 7 in FIG. 2.  
 FIG. 9 is a partial back view of the dress with the zipper open, near arrow 7 in FIG. 2.  
 FIG. 10 is a partial back view of the dress with the zipper open and inner lining taken out, near arrow 7 in FIG. 2; and,  
 FIG. 11 is a partial view of the inside of the dress, taken from the perspective of FIG. 6.  
 The broken lines on the dress depict stitching and form part of the claimed design. The broken lines representing the dress stand in FIG. 11 and the broken lines on the outside of the dress in FIGS. 7-11 depict environment only and form no part of the claimed design.

**1 Claim, 6 Drawing Sheets**





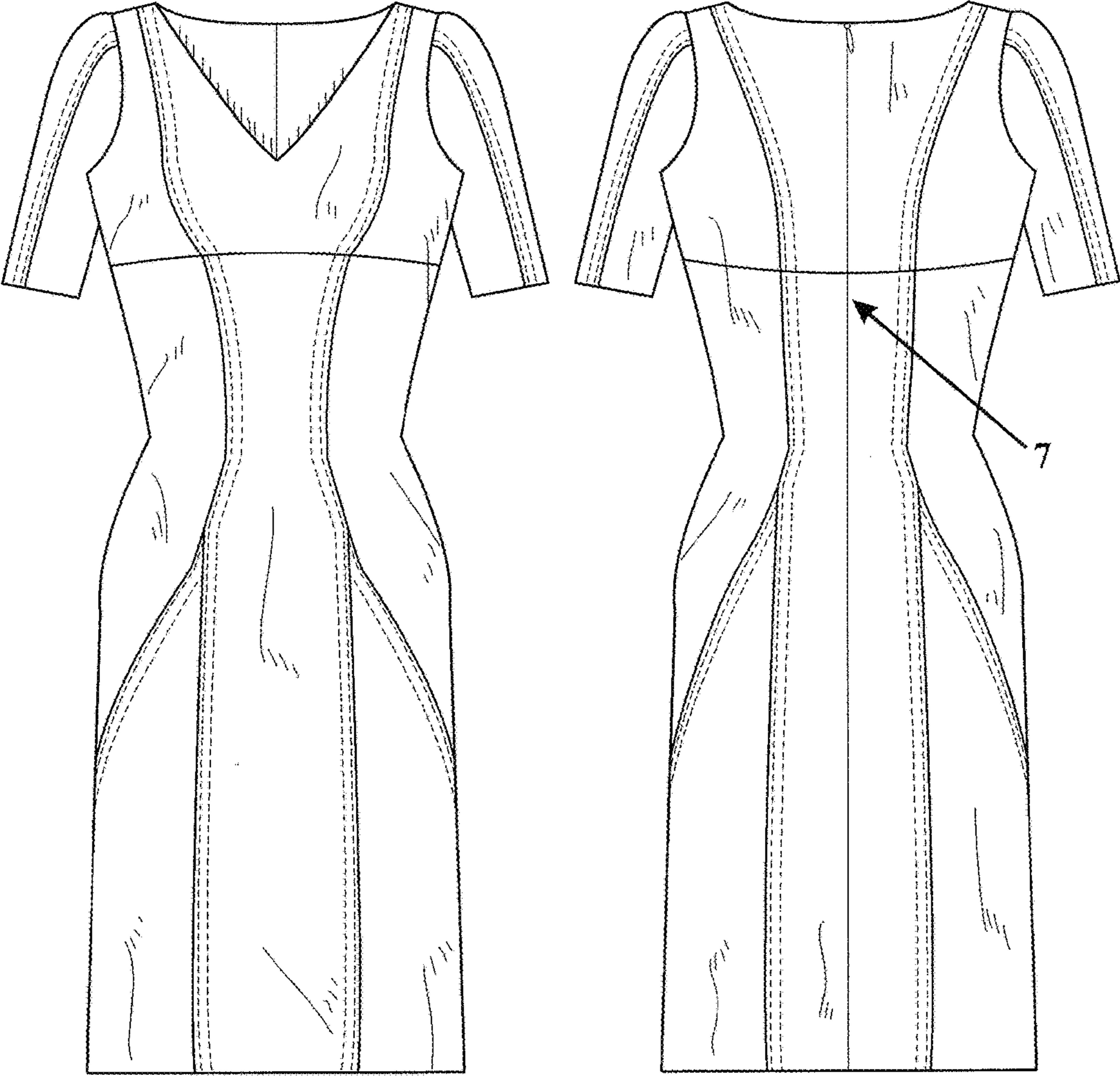


FIG. 1

FIG. 2

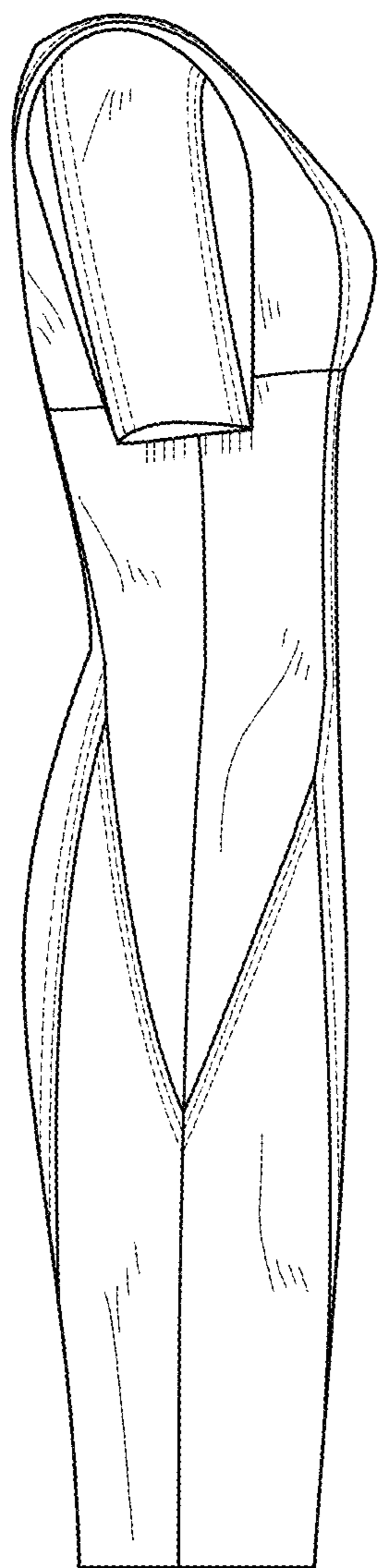


FIG. 3

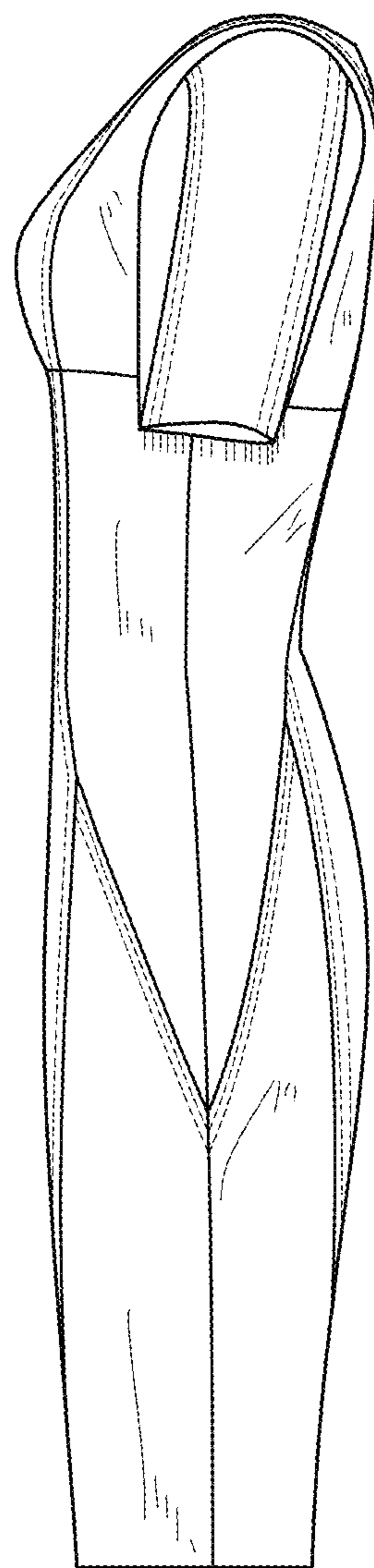


FIG. 4

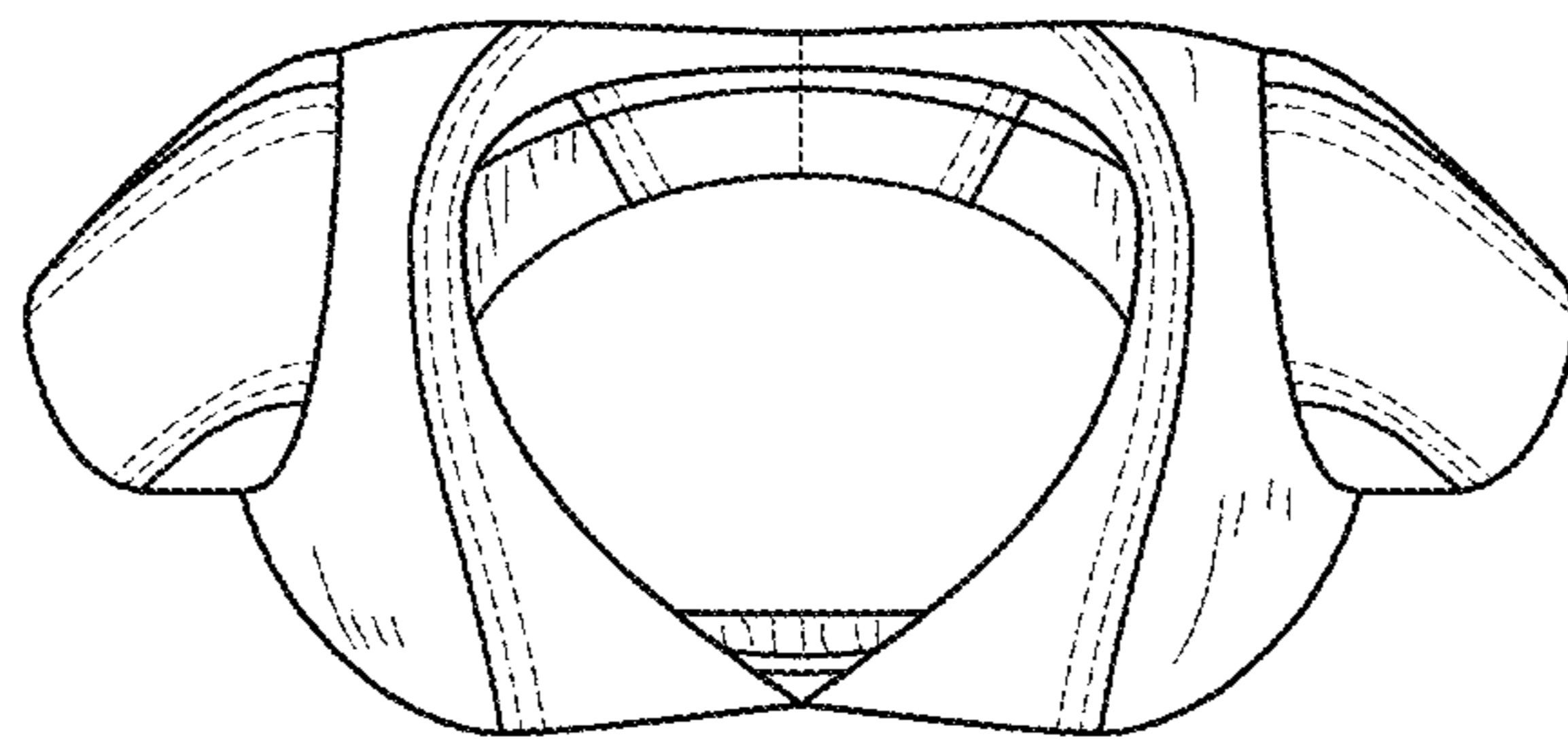


FIG. 5

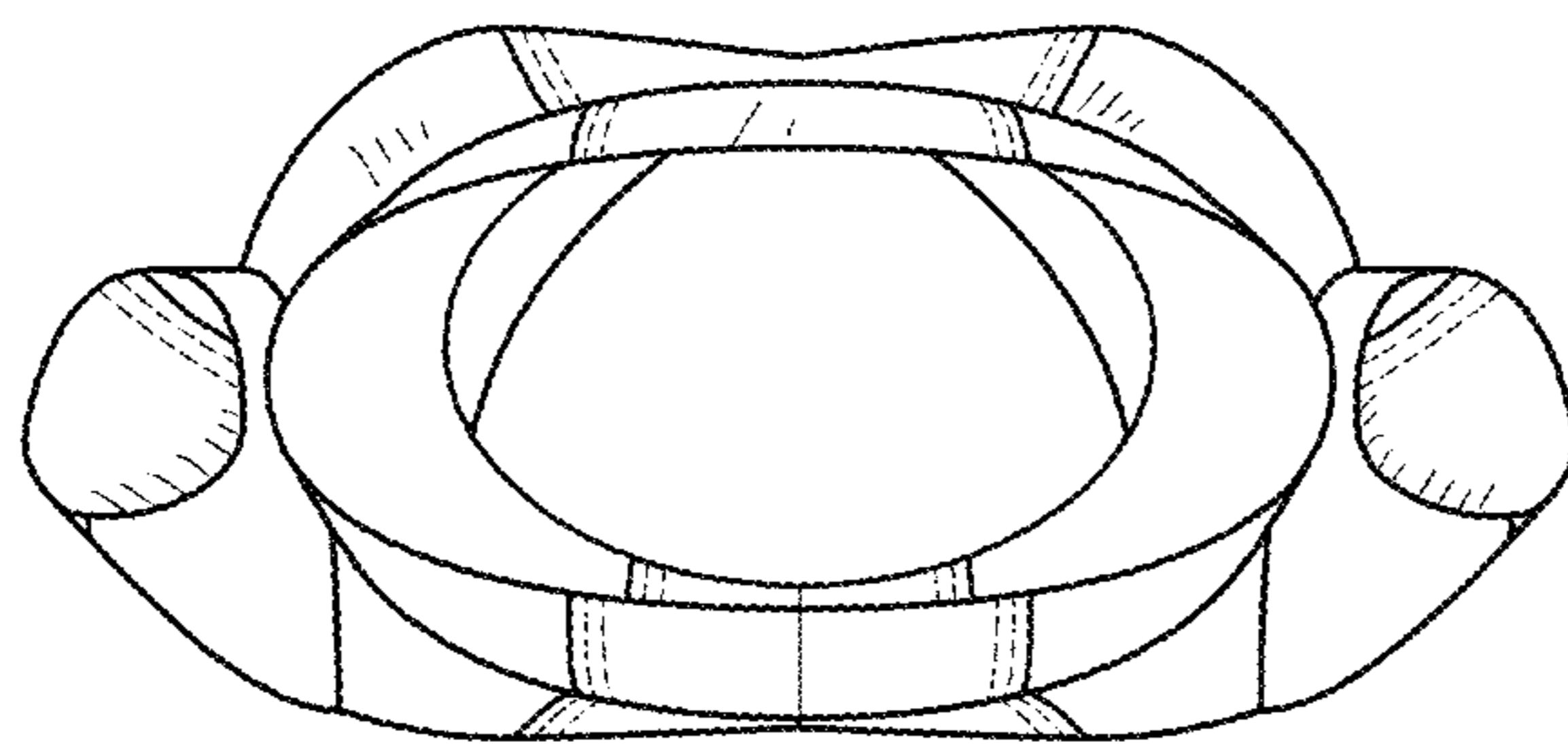


FIG. 6

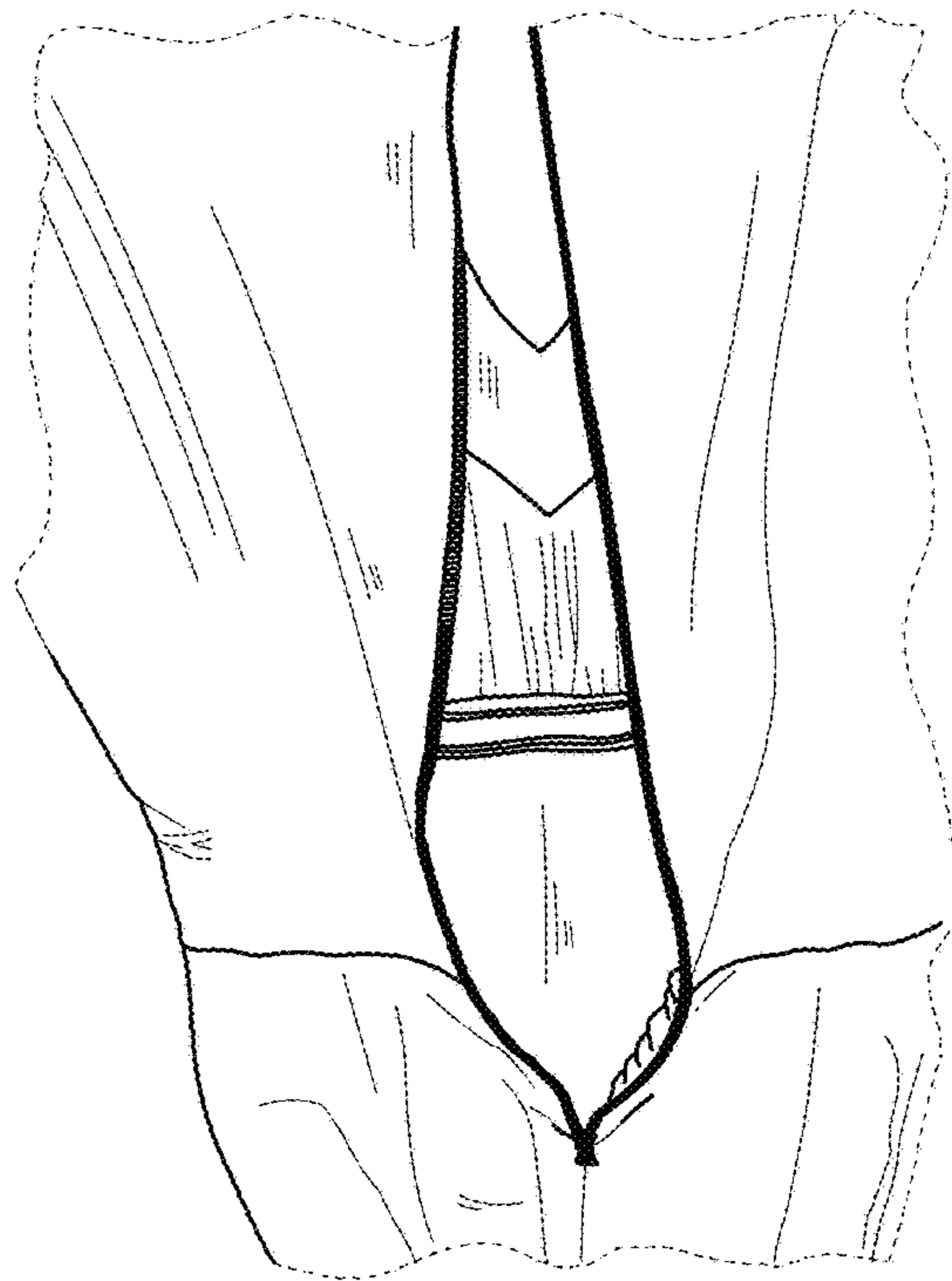


FIG. 7

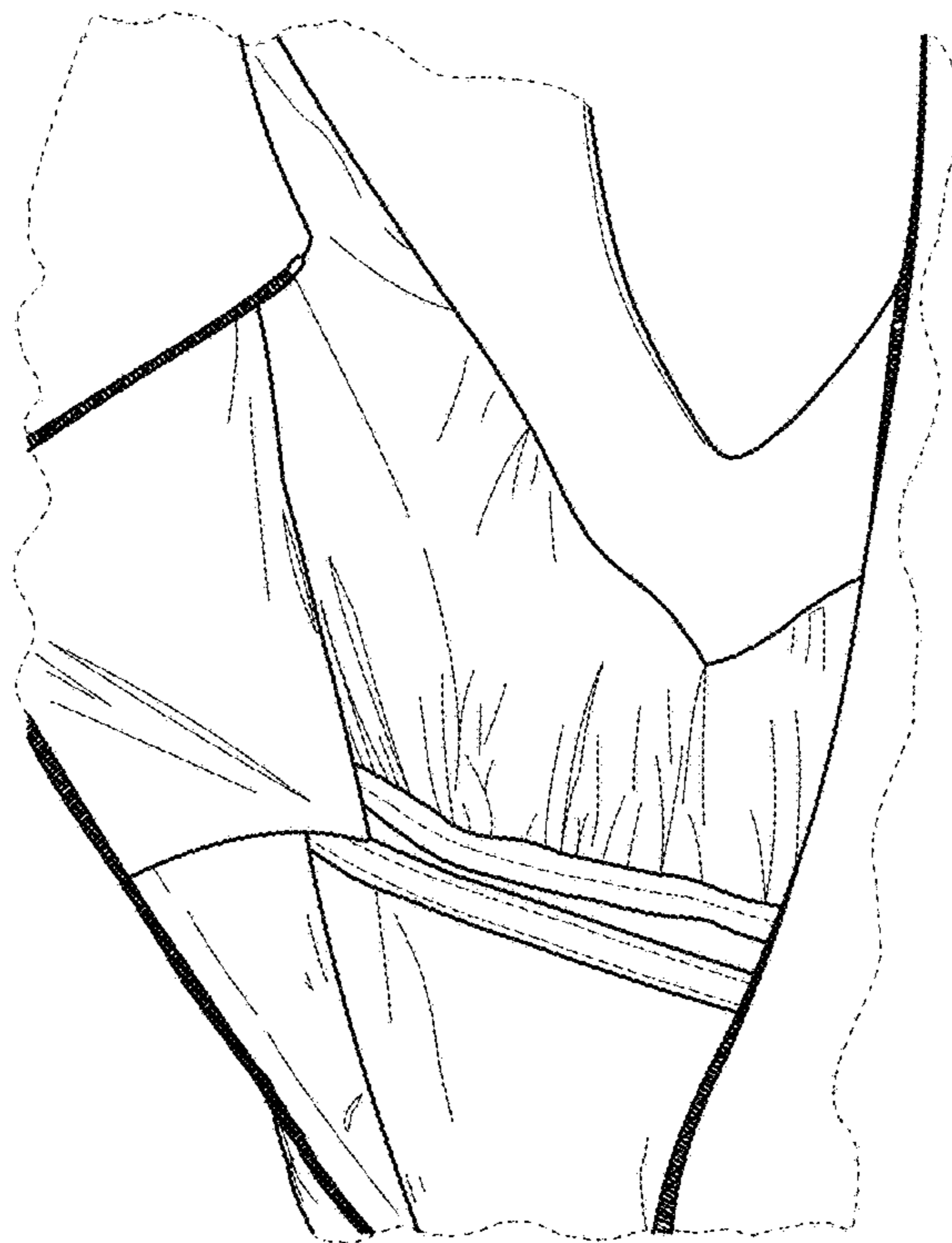


FIG. 8



FIG. 9



FIG. 10

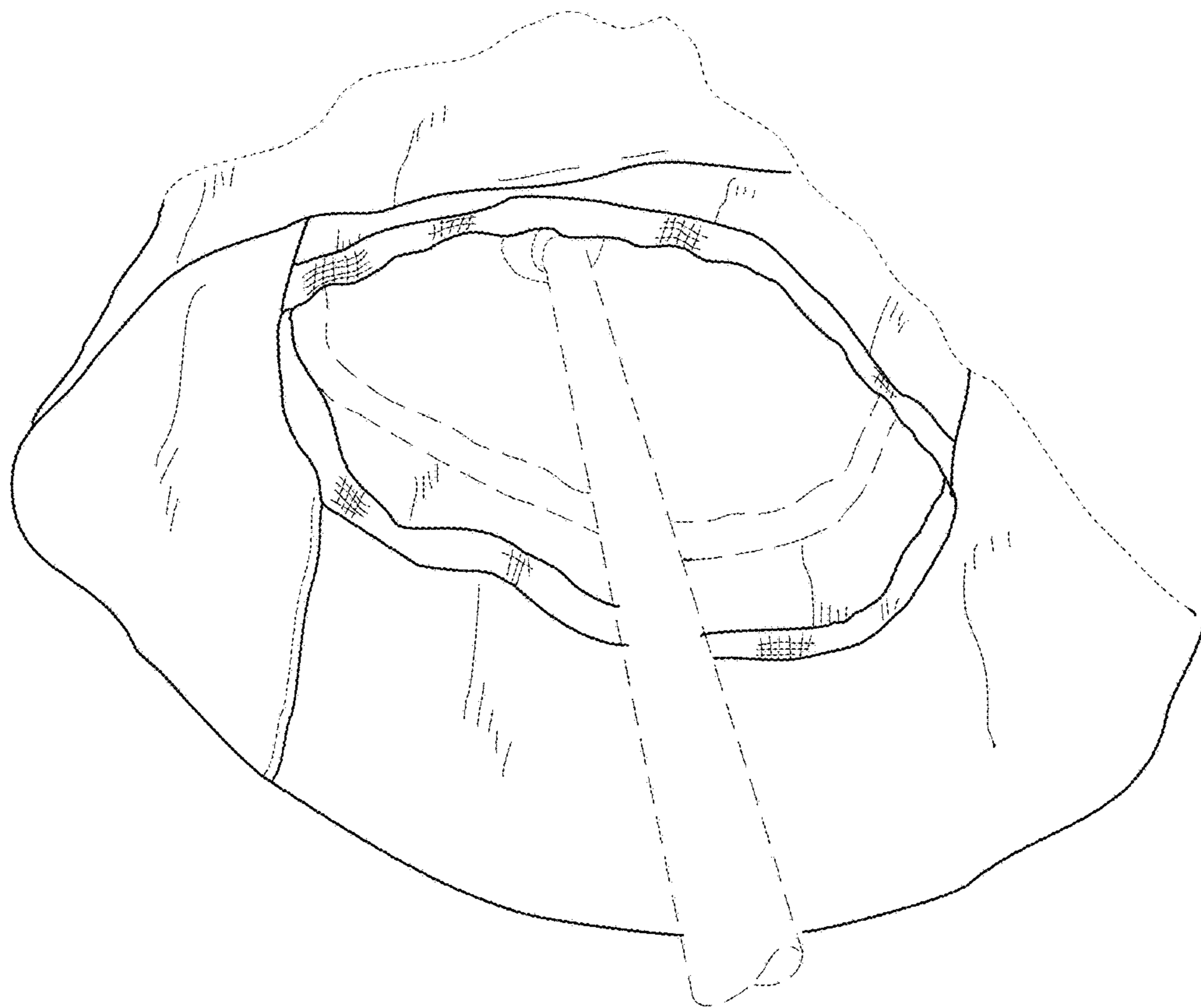


FIG. 11