



US00D793665S

(12) **United States Design Patent** (10) **Patent No.:** **US D793,665 S**
Perez (45) **Date of Patent:** **** Aug. 8, 2017**

(54) **PANTS COMBINED WITH POUCH
WAISTBAND**

RE46,331 E * 3/2017 Savage D2/742
9,593,915 B2 * 3/2017 Tuggle F41H 1/02
2013/0048695 A1 * 2/2013 Do A45F 3/14
224/676

(71) Applicant: **Ricardo Perez**, Paterson, NJ (US)

* cited by examiner

(72) Inventor: **Ricardo Perez**, Paterson, NJ (US)

Primary Examiner — Robin V Webster

(**) Term: **15 Years**

Assistant Examiner — James Thorn, Sr.

(21) Appl. No.: **29/562,698**

(74) *Attorney, Agent, or Firm* — Dunlap, Bennett & Ludwig PLLC

(22) Filed: **Apr. 28, 2016**

(51) **LOC (10) Cl.** **02-02**

(57) **CLAIM**

(52) **U.S. Cl.**
USPC **D2/742**

The ornamental design for a pants combined with pouch waistband, as shown and described.

(58) **Field of Classification Search**
USPC D2/742, 731, 771, 627, 629; D3/224
CPC A45F 3/005; A45F 2003/144; A41D 1/06;
A41D 2300/22
See application file for complete search history.

DESCRIPTION

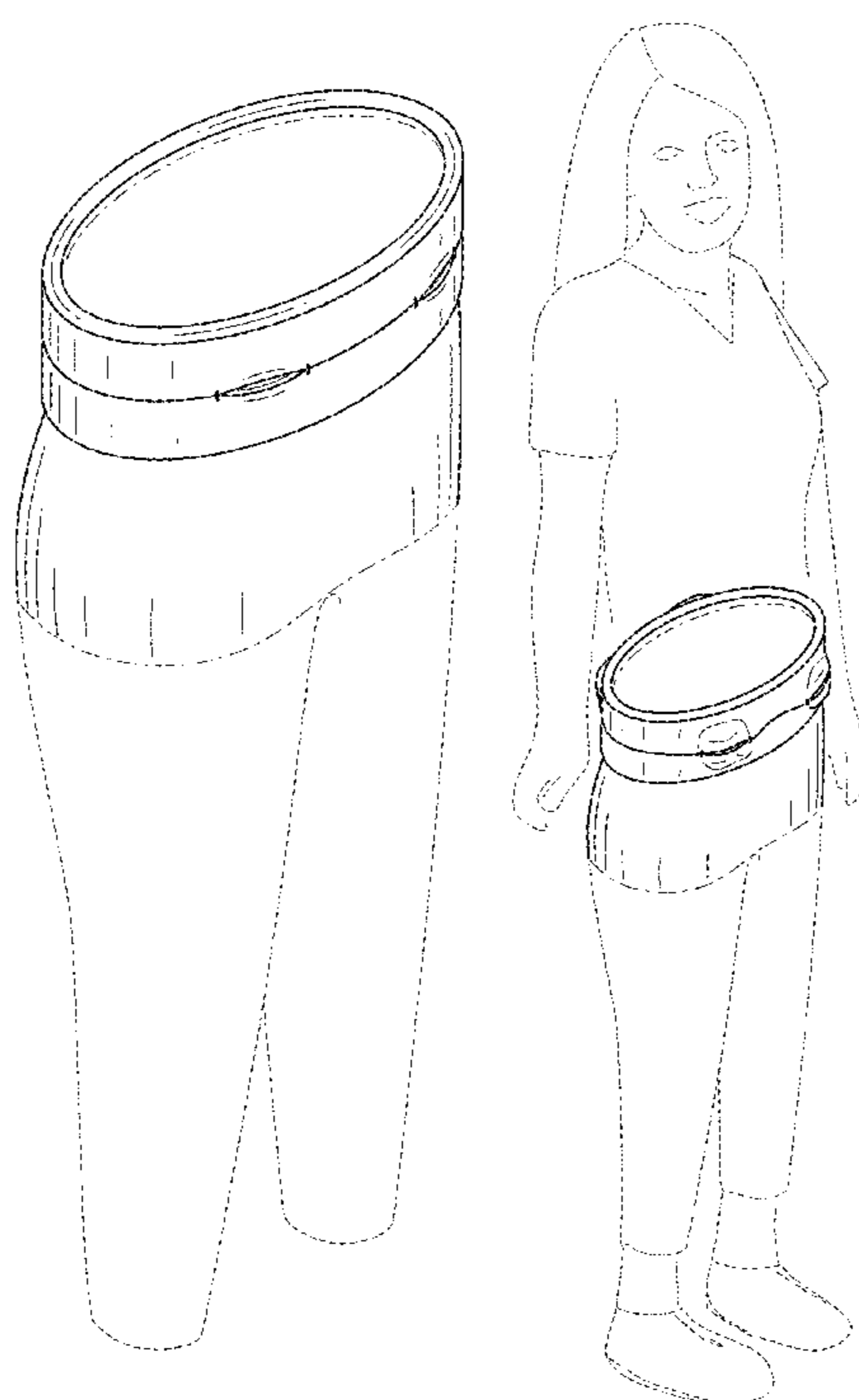
(56) **References Cited**

U.S. PATENT DOCUMENTS

D660,553 S *	5/2012	Farina	D2/742
D661,871 S *	6/2012	Savage	D2/742
D686,801 S *	7/2013	Farina	D2/742
D687,214 S *	8/2013	Farina	D2/742
D689,260 S *	9/2013	Barnes	D2/742
D710,569 S *	8/2014	Pelengaris	D2/624
D724,316 S *	3/2015	Nejjar	D3/226
D730,624 S *	6/2015	Prpic	D2/742
D740,549 S *	10/2015	Nejjar	D3/226
D754,948 S *	5/2016	Cockram	D2/853
D769,614 S *	10/2016	Nejjar	D3/226
D770,133 S *	11/2016	Burke	D2/731

FIG. 1 is a front perspective view of a pants combined with pouch waistband;
FIG. 2 is a front elevation view of FIG. 1;
FIG. 3 is a rear elevation view of FIG. 1;
FIG. 4 is a left side elevation view of FIG. 1, the right side elevation view being a mirror image thereof;
FIG. 5 is a top plan view of FIG. 1;
FIG. 6 is a bottom plan view of FIG. 1; and,
FIG. 7 is a perspective view of the pants combined with pouch waistband, with the pouches shown in intended use. The equal-length broken lines depict environmental subject matter that forms no part of the claimed design, while the unequal-length broken lines represent the bounds of the claimed design.

1 Claim, 4 Drawing Sheets



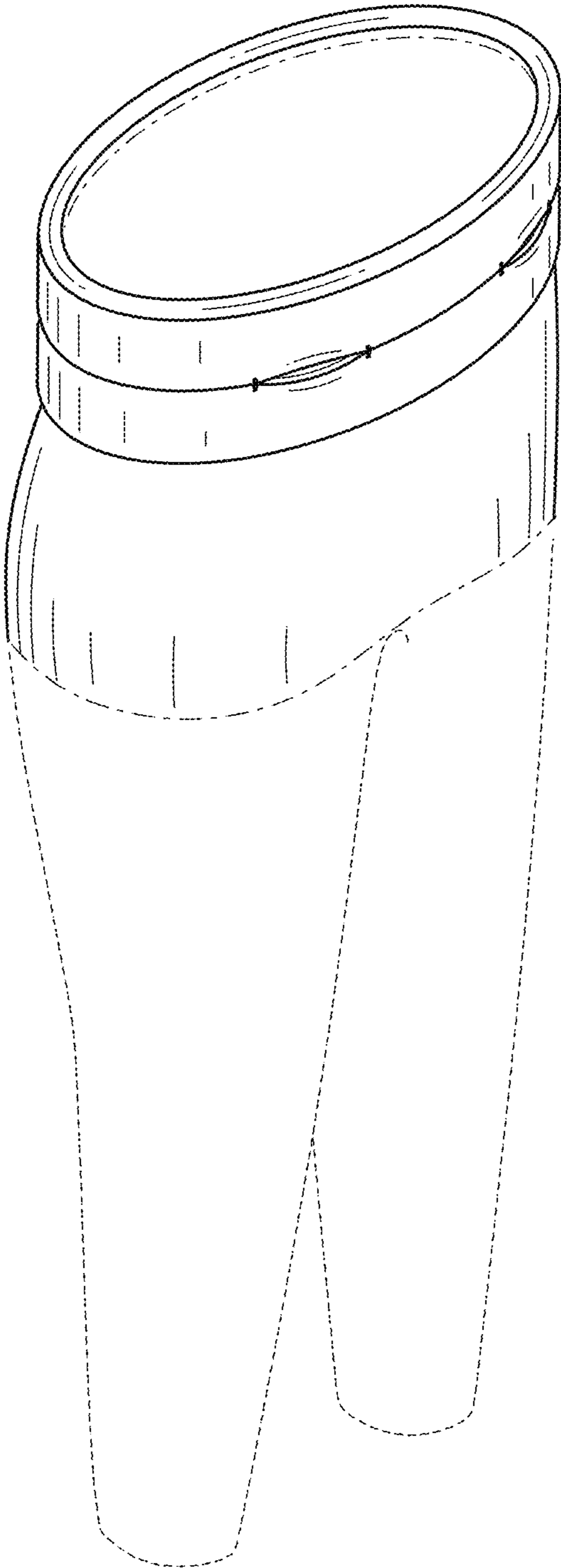


FIG. 1

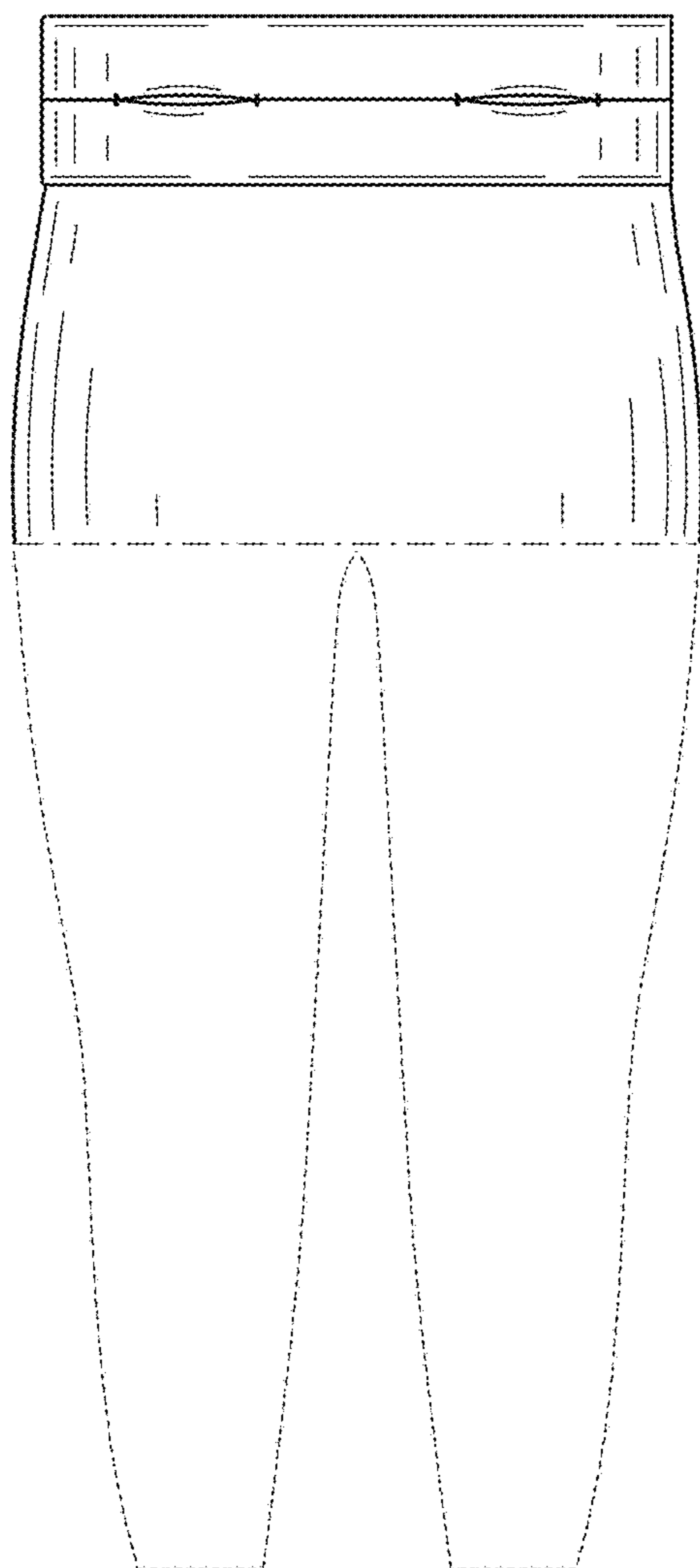


FIG. 2

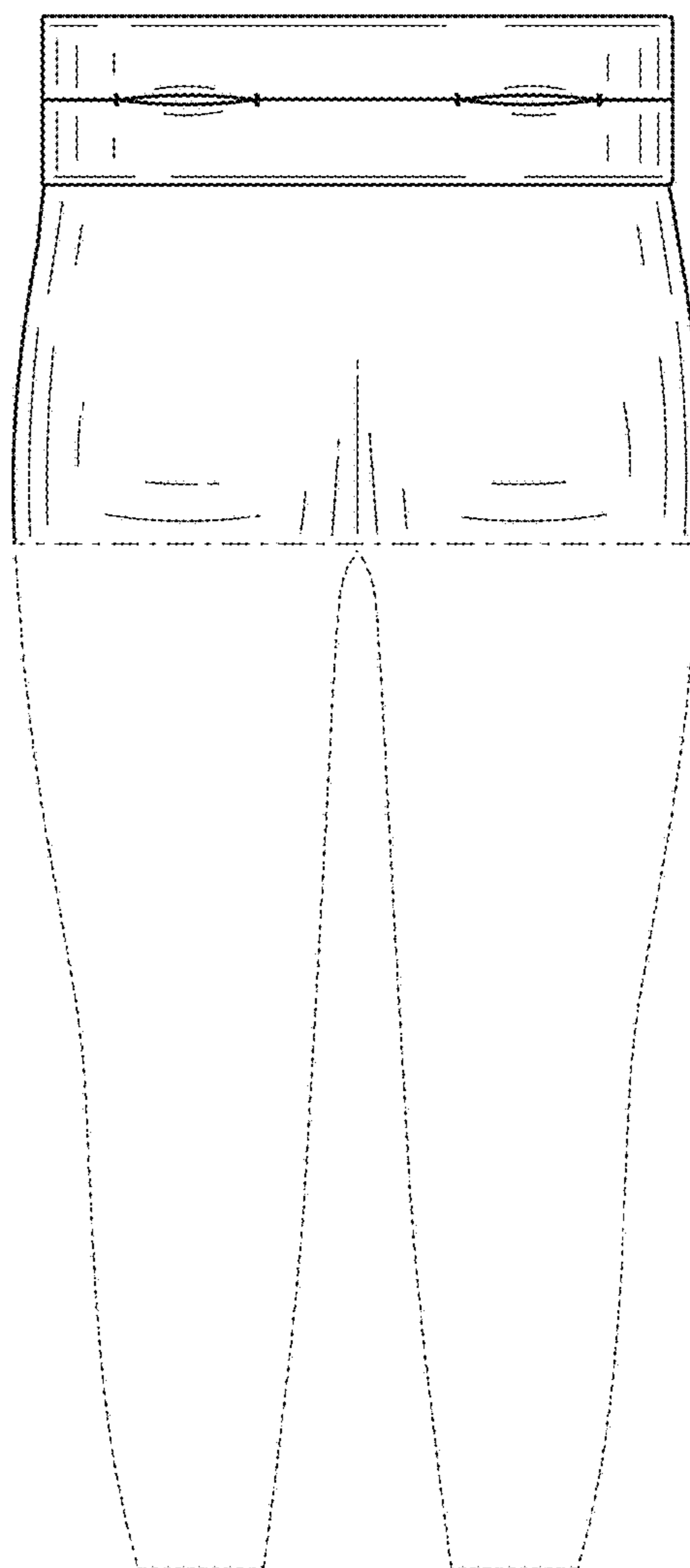


FIG. 3

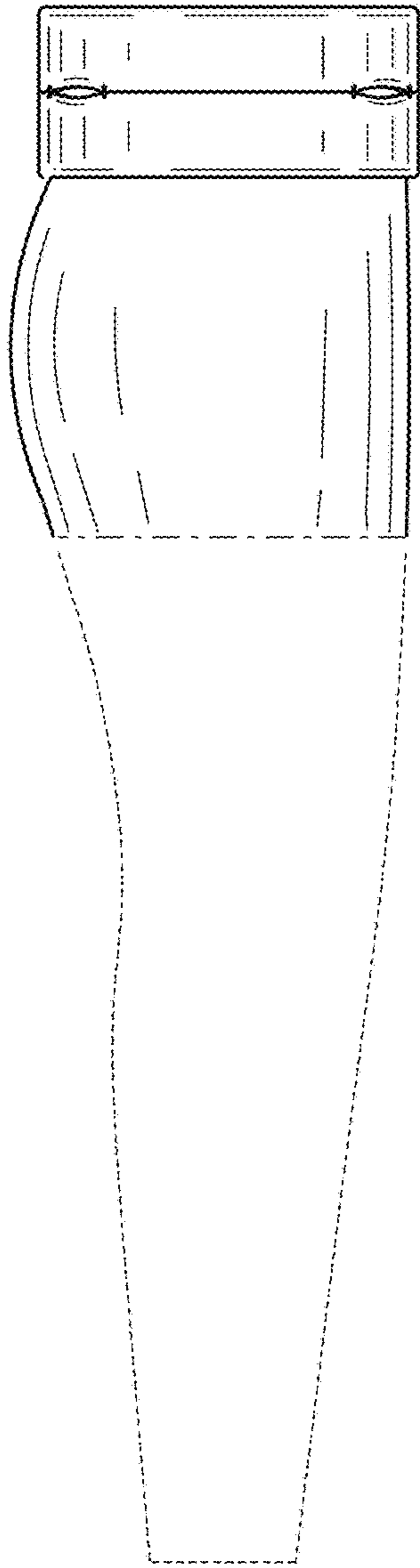


FIG. 4

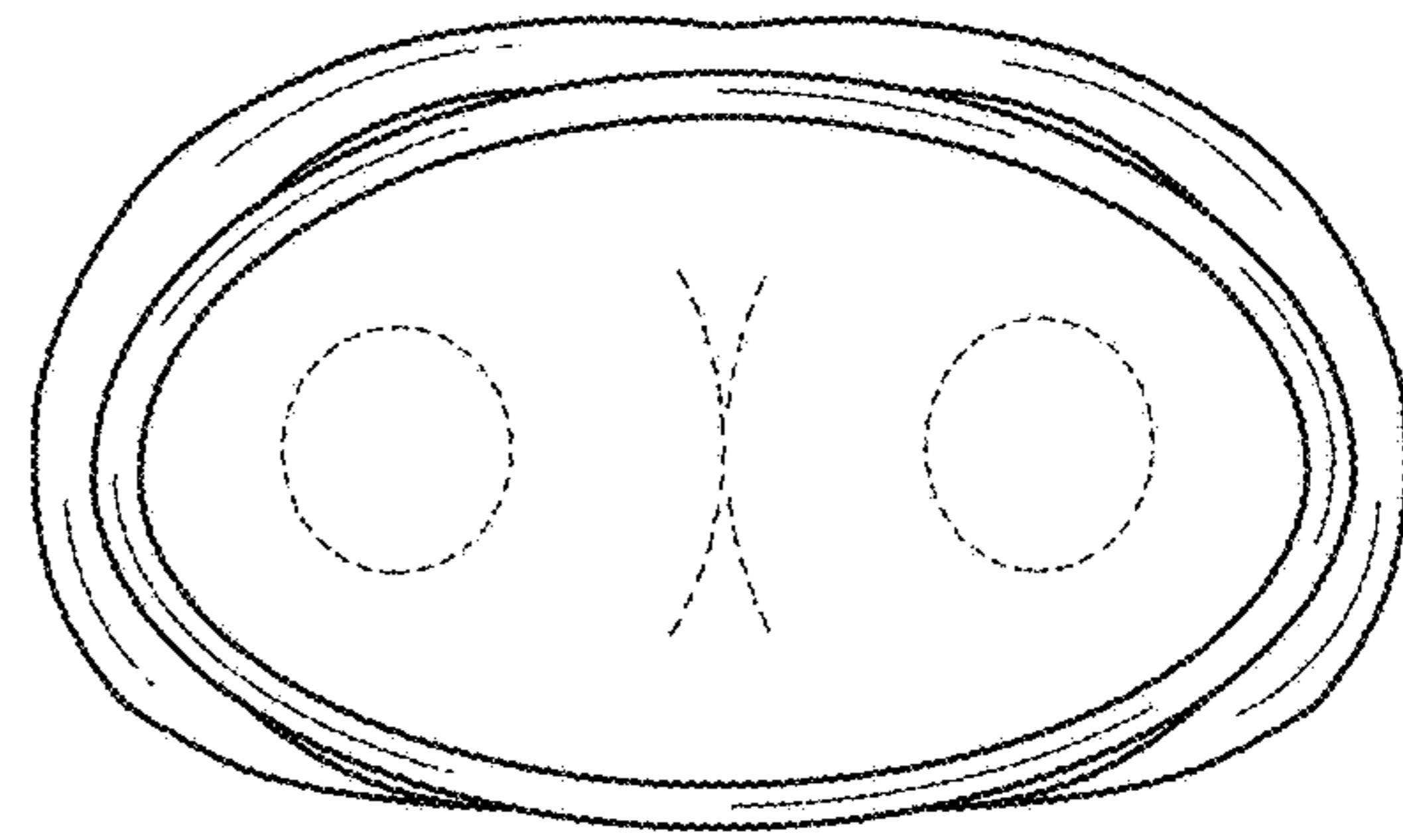


FIG. 5

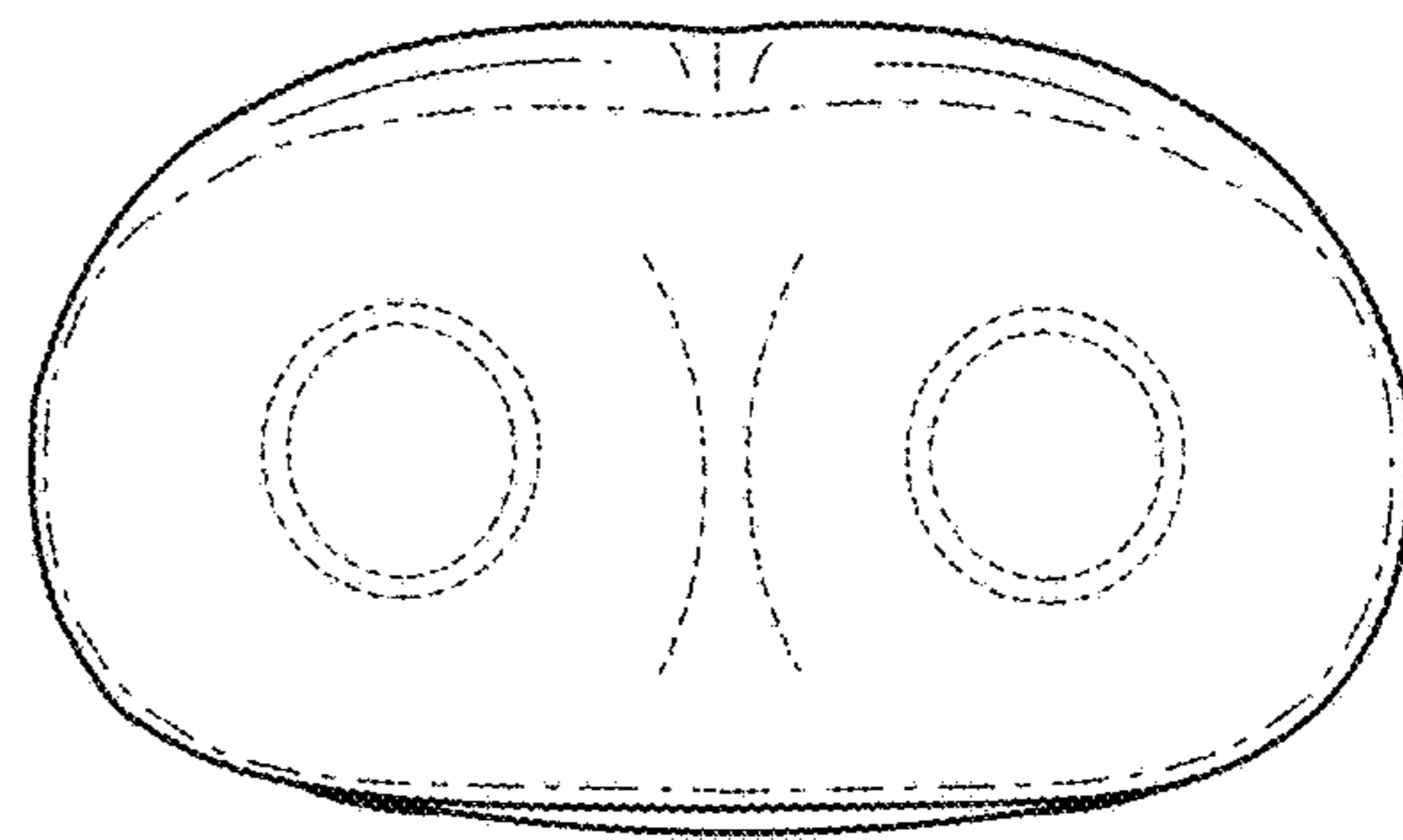


FIG. 6

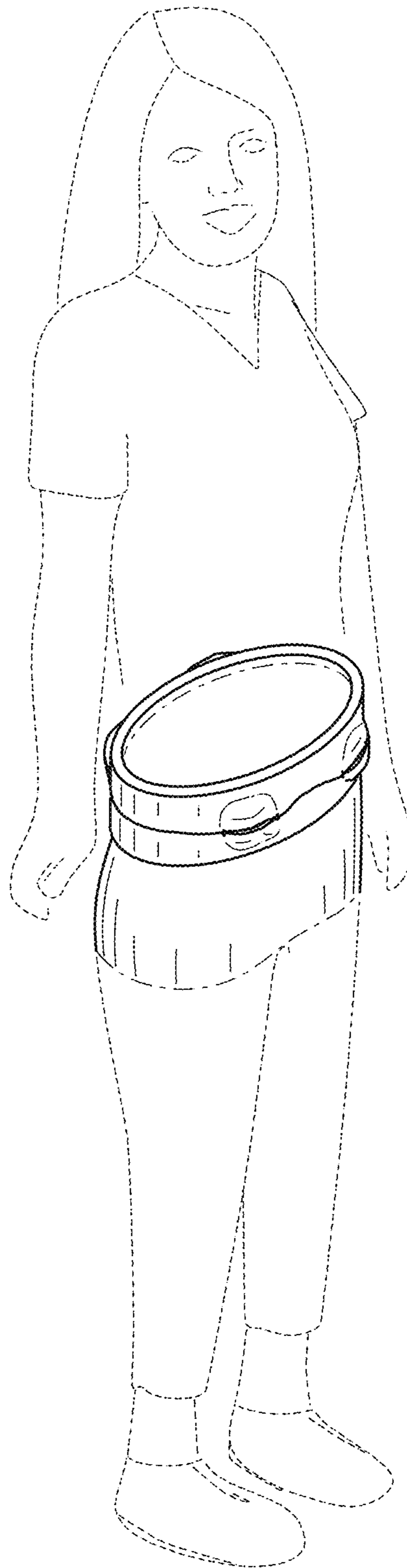


FIG. 7