



US00D793658S

(12) **United States Design Patent**
Smith

(10) **Patent No.:** **US D793,658 S**

(45) **Date of Patent:** **** *Aug. 8, 2017**

(54) **PADDED SPORT SHORT**

(71) Applicant: **Bridget T. Smith**, Sherman Oaks, CA
(US)

(72) Inventor: **Bridget T. Smith**, Sherman Oaks, CA
(US)

(*) Notice: This patent is subject to a terminal disclaimer.

(**) Term: **15 Years**

(21) Appl. No.: **29/550,451**

(22) Filed: **Jan. 4, 2016**

Related U.S. Application Data

(63) Continuation-in-part of application No. 29/524,272, filed on Apr. 18, 2015.

(51) **LOC (10) Cl.** **02-01**

(52) **U.S. Cl.**
USPC **D2/712**

(58) **Field of Classification Search**

USPC D2/712-713, 731-732, 737-738,
D2/742-745, 747, 749, 854, 861-864;
2/22-24, 62, 80-83, 401, 227, 229-230,
2/234-238, 247, 919

CPC A63B 71/1225; A41D 13/012; A41D
13/065; A41D 13/0017; A41D 1/06;
A41D 1/08; A41D 1/086; A41D 7/00;
F41H 1/02

See application file for complete search history.

(56) **References Cited**

U.S. PATENT DOCUMENTS

2,599,769 A 6/1952 MacRea et al.
4,961,233 A * 10/1990 Black A41D 1/084
2/228
D339,902 S * 10/1993 Doherty D2/738

5,271,101 A * 12/1993 Speth A41D 1/084
2/214
D360,516 S * 7/1995 Persinger D2/712
D412,610 S 8/1999 Fujii et al.
D427,750 S 7/2000 Fujii et al.
D494,738 S * 8/2004 Kirkup D2/712
D514,774 S * 2/2006 Africa D2/714
D515,282 S * 2/2006 Africa D2/714
D525,765 S * 8/2006 Arensdorf D2/712
D642,768 S 8/2011 Sawle et al.
D646,047 S * 10/2011 Arensdorf D2/712
D746,022 S * 12/2015 Maier D2/731

OTHER PUBLICATIONS

Aero Tech Cycling Apparel; Women's Padded Bike Shorts; www.aerotechdesigns.com/women-bike-shorts1.html; Accessed Apr. 16, 2015, 6 pages.

(Continued)

Primary Examiner — Manpreet Matharu

Assistant Examiner — Keith Wilson

(74) *Attorney, Agent, or Firm* — David L. Hoffman;
Hoffman Patent Group

(57) **CLAIM**

I claim the ornamental design for a padded sport short, as shown and described.

DESCRIPTION

FIG. 1 is a top and side perspective view of padded sport short showing my new design;

FIG. 2 is a front view thereof;

FIG. 3 is a rear view thereof;

FIG. 4 is a left side elevation view thereof;

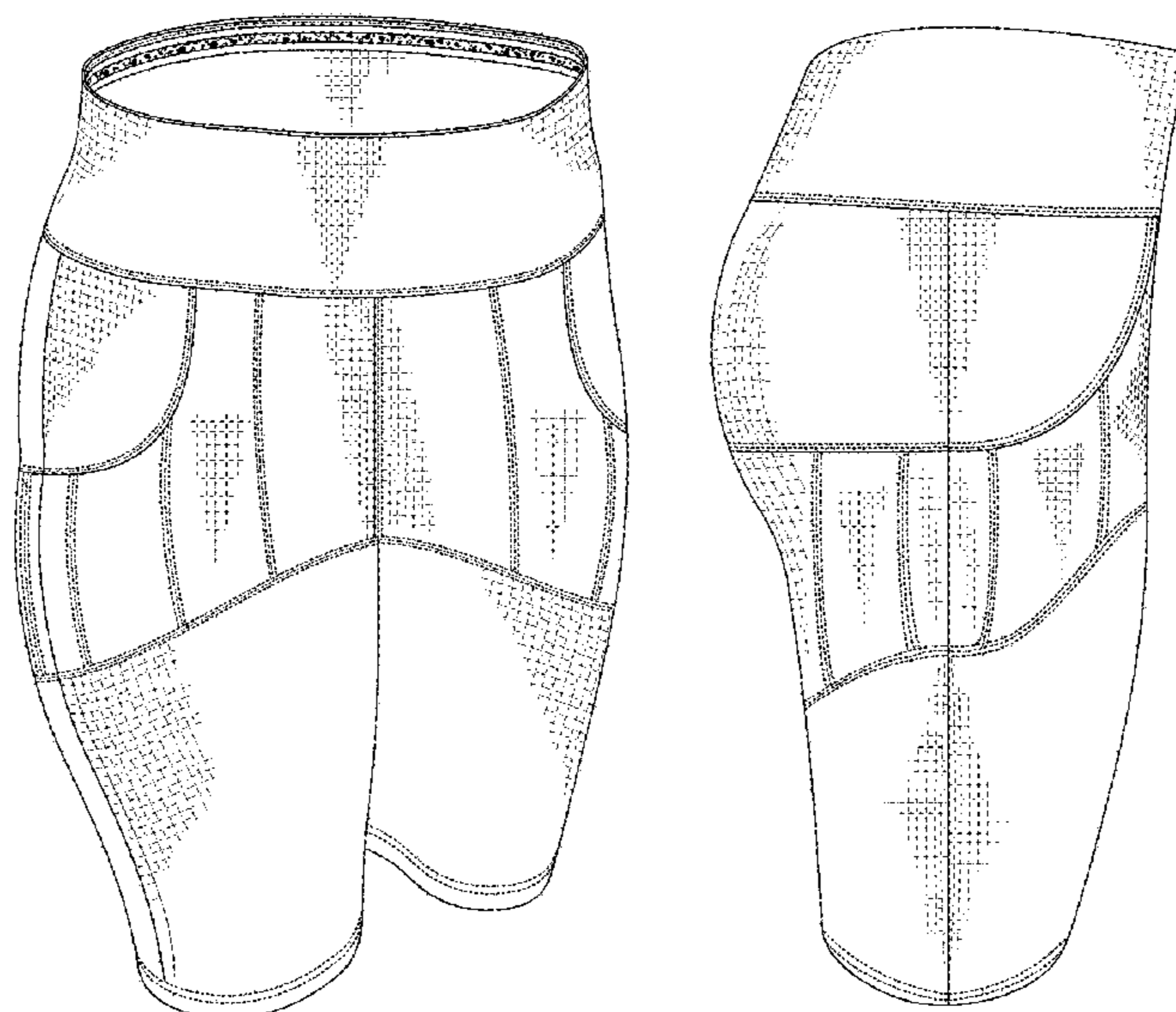
FIG. 5 is a right side elevation view thereof;

FIG. 6 is a top view thereof; and,

FIG. 7 is a bottom view thereof.

The dashed lines in the drawings represent the location of stitching which is a part of the claimed design.

1 Claim, 6 Drawing Sheets



(56)

References Cited

OTHER PUBLICATIONS

Lovely Bicycle!; Adventures with Padded Cycling Shorts; lovelybike.blogspot.com/2011/08/why-wear-padded-cycling-shorts . . . ; Posted Aug. 1, 2011; 13 pages.

Source Orthopedic Solutions; Saunders S'port Vigorous All Back Support Shorts—Low Back; www.sourceortho.net/saunders-sport-all-back-support-w-shorts/?u . . . ; Accessed Mar. 23, 2015; 3 pages.

Shock Doctor Ultra Shockskin 5-Pad Extended Shorts—Men's Football; www.eastbay.com/model:220540/sku:5980107/shock-doct . . . ; Accessed Apr. 16, 2015; 3 pages.

Design U.S. Appl. No. 29/524,272, by Smith, Bridget, filed Apr. 18, 2015, "Padded Sport Short".

* cited by examiner

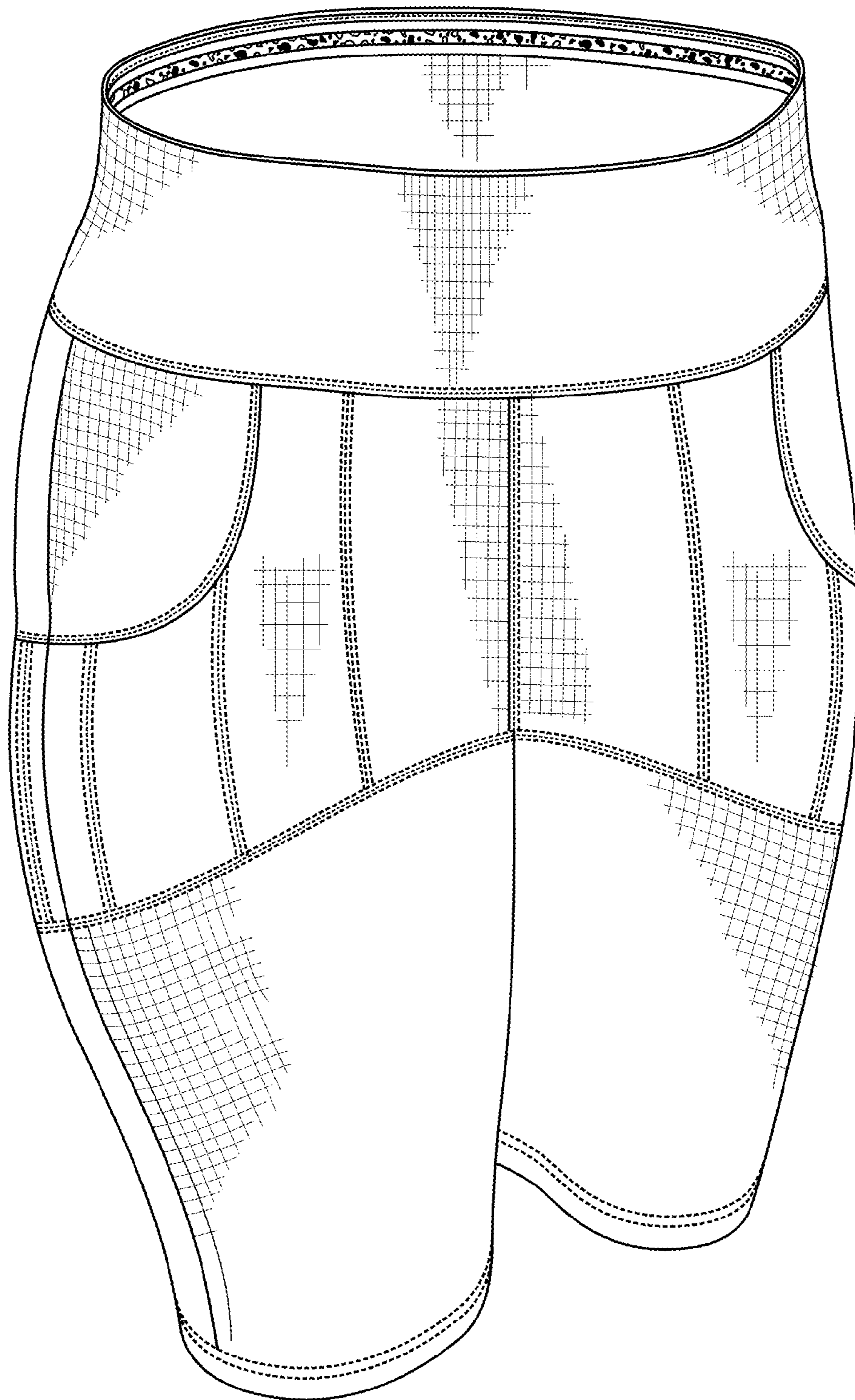


FIG. 1

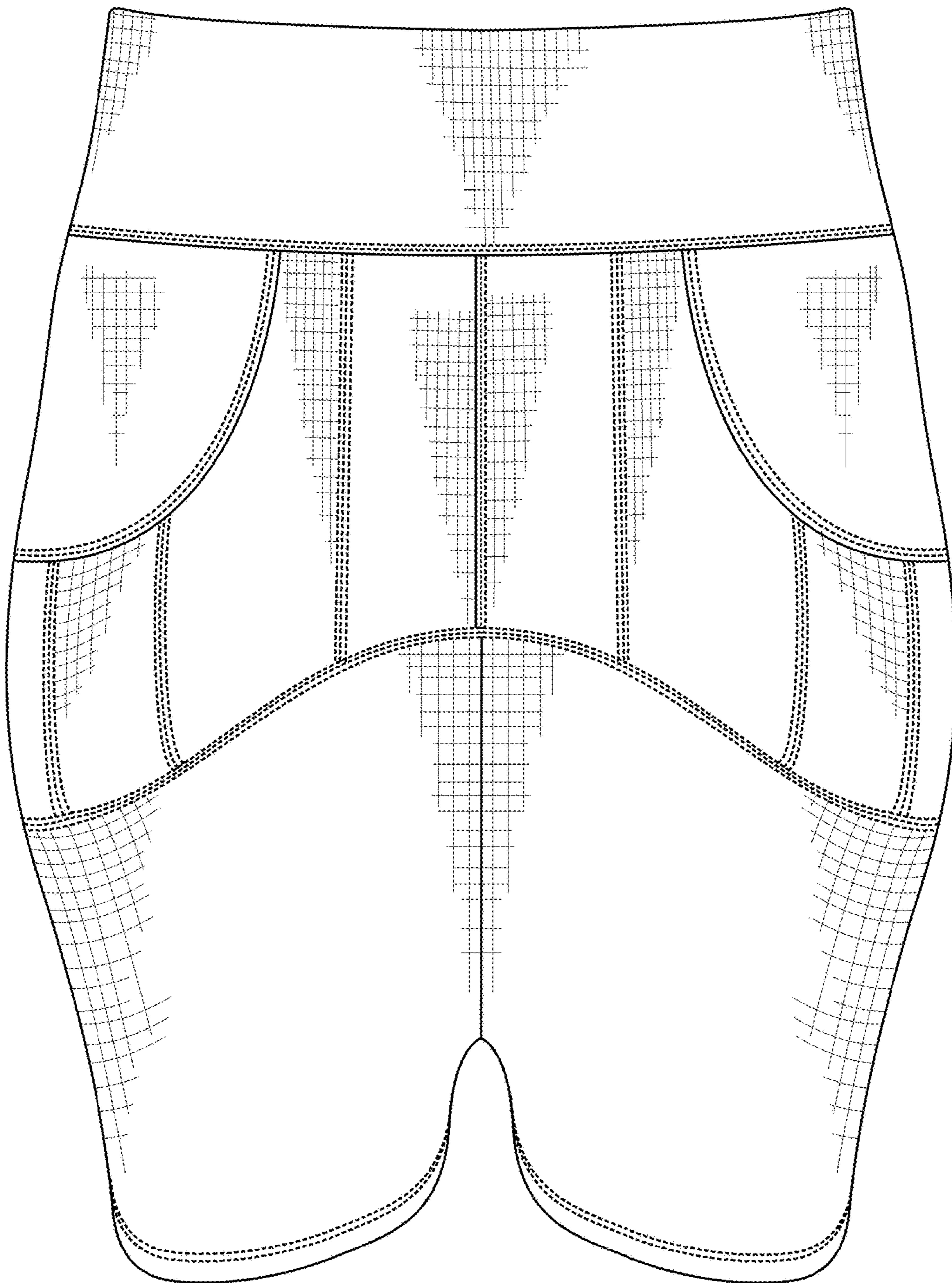


FIG. 2

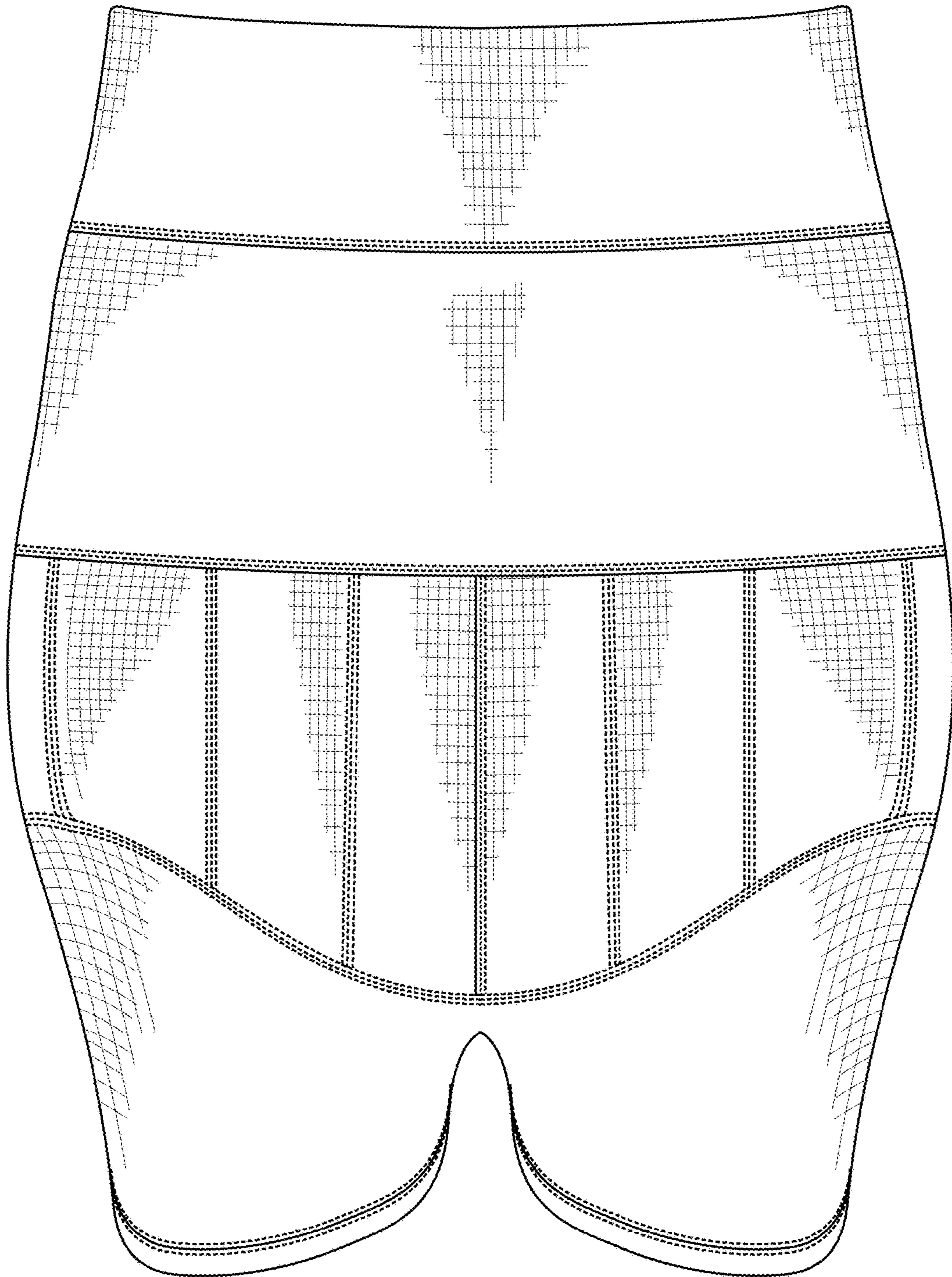


FIG. 3

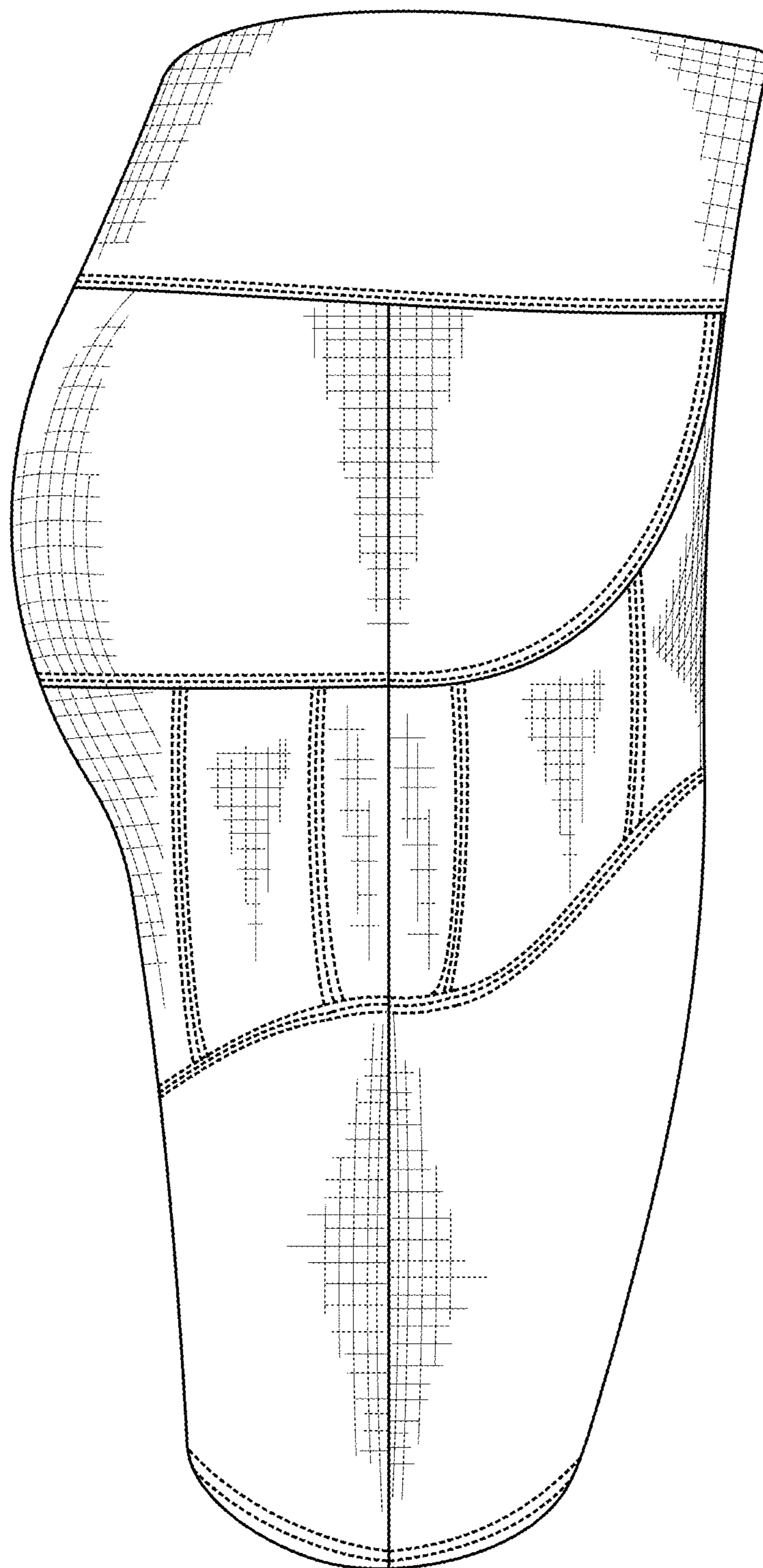


FIG. 4

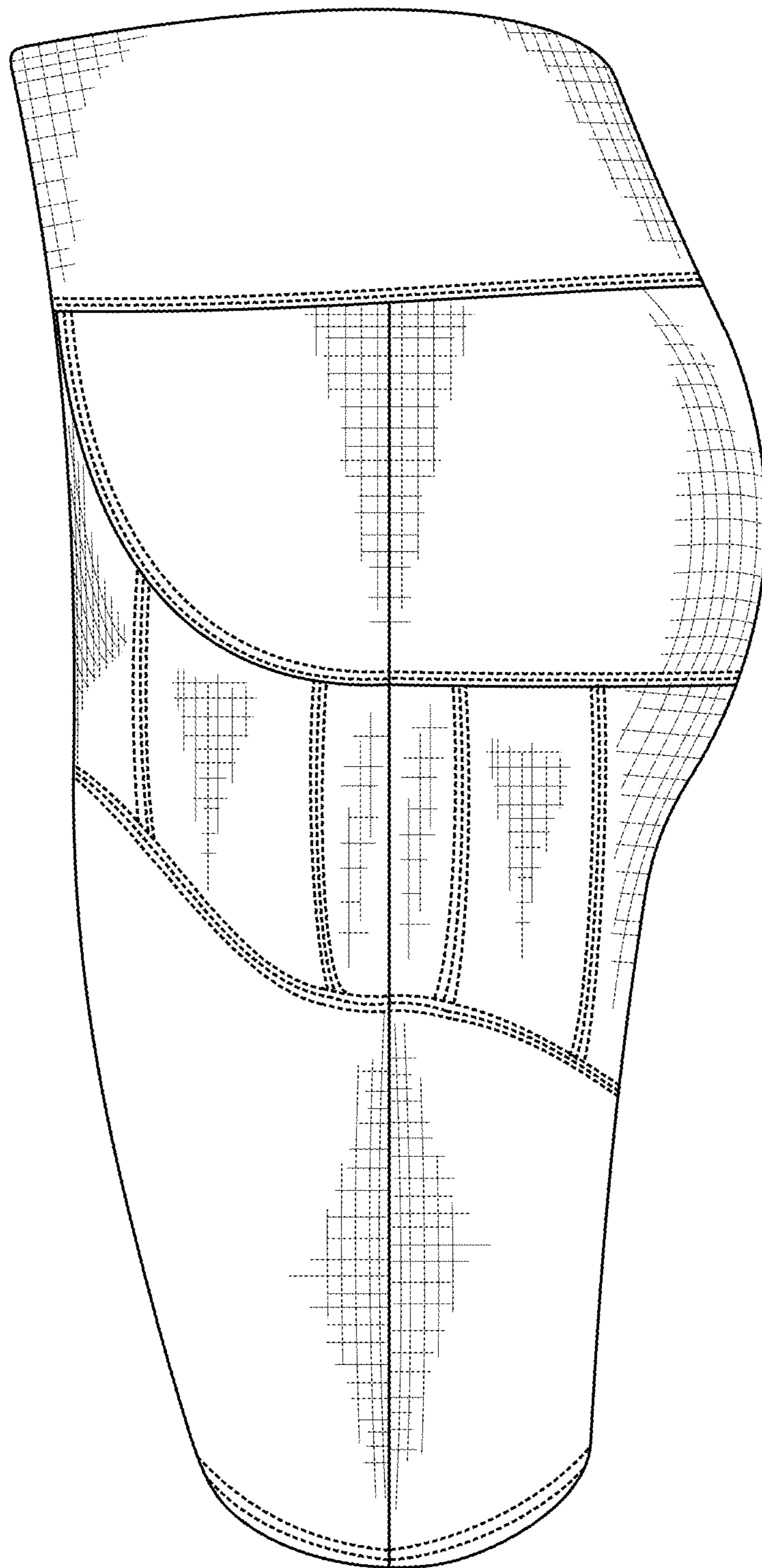


FIG. 5

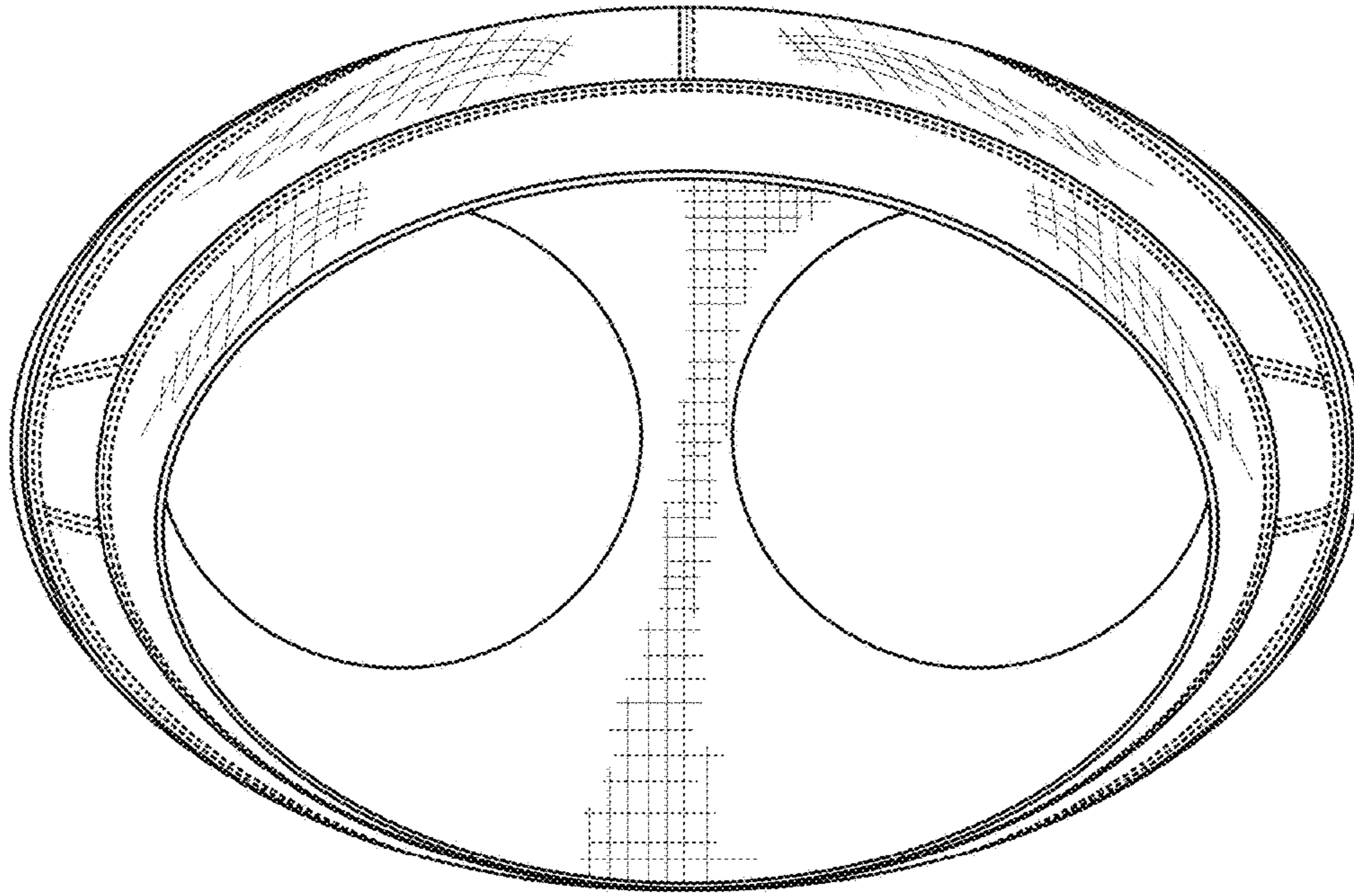


FIG. 6

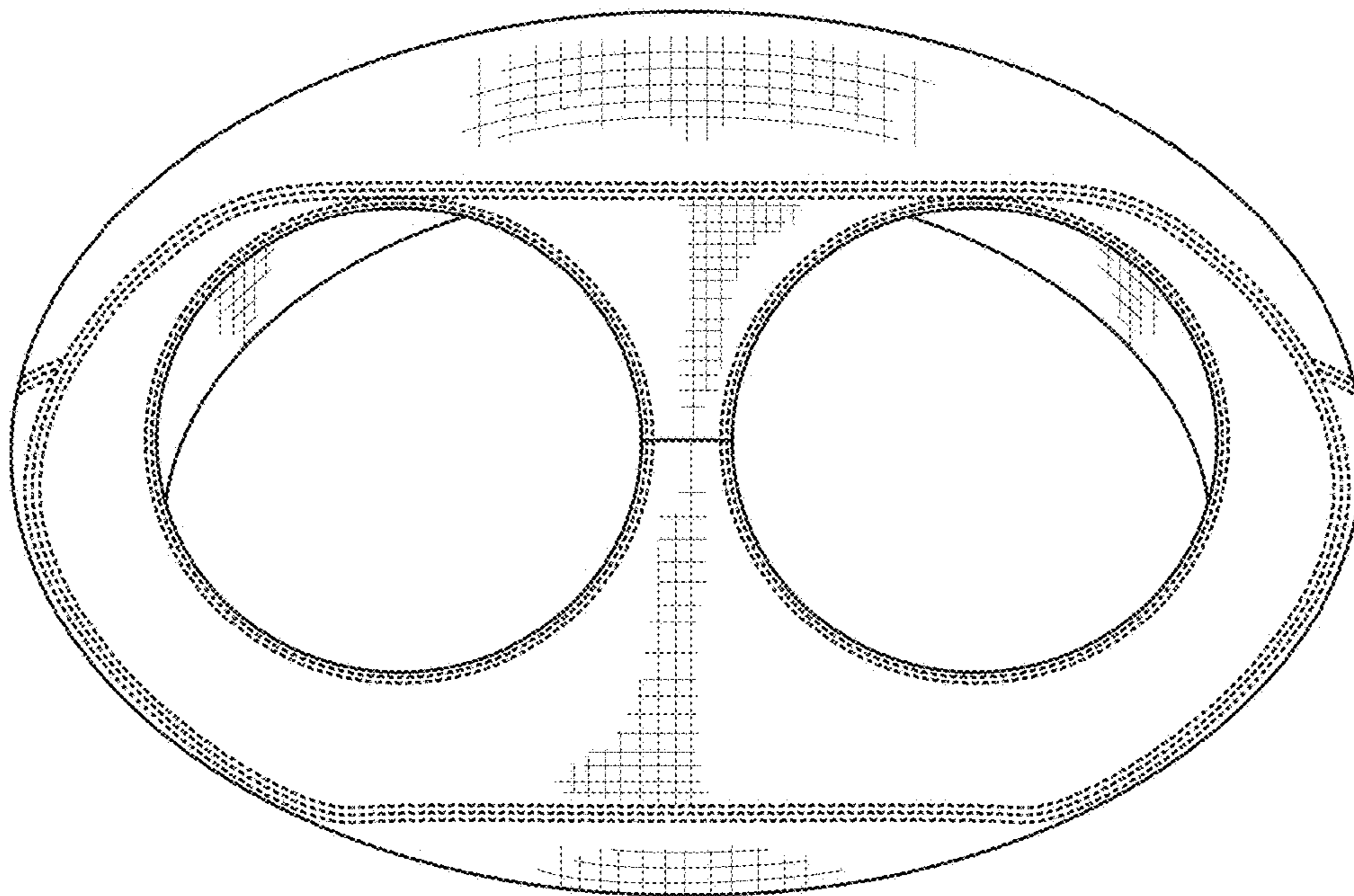


FIG. 7