



US00D793649S

(12) **United States Design Patent** (10) **Patent No.:** **US D793,649 S**
Beeler (45) **Date of Patent:** **** Aug. 1, 2017**

- (54) **URN WITH PICTURE HOLDER**
- (71) Applicant: **BEELER & SONS CUSTOMS, LLC**, Irving, IL (US)
- (72) Inventor: **Joseph D. Beeler**, Irving, IL (US)
- (73) Assignee: **Beeler & Sons Customs, LLC**, Irving, IL (US)
- (**) Term: **15 Years**
- (21) Appl. No.: **29/551,243**
- (22) Filed: **Jan. 12, 2016**

Related U.S. Application Data

- (62) Division of application No. 29/496,673, filed on Jul. 16, 2014, now Pat. No. Des. 748,362.
- (51) **LOC (10) Cl.** **99-00**
- (52) **U.S. Cl.**
USPC **D99/5**
- (58) **Field of Classification Search**
USPC D99/5; 27/1, 7, 2, 35; D9/430, 432; D7/601, 609; 40/124.5, 720, 721; 52/104; D11/131, 143, 156; 206/232, 206/216, 45, 28; 217/58, 62; 220/377
CPC A61G 17/00; A61G 17/08
See application file for complete search history.

(56) **References Cited**

U.S. PATENT DOCUMENTS

- 953,053 A * 3/1910 McMullen E04H 13/003
40/124.5
- 2,835,014 A * 5/1958 Dioguardi, Jr. A61G 17/04
24/457
- 3,450,293 A * 6/1969 Goudeau B65D 11/1873
220/4.28

(Continued)

Primary Examiner — Paula Greene
(74) *Attorney, Agent, or Firm* — Polsinelli PC

(57) **CLAIM**

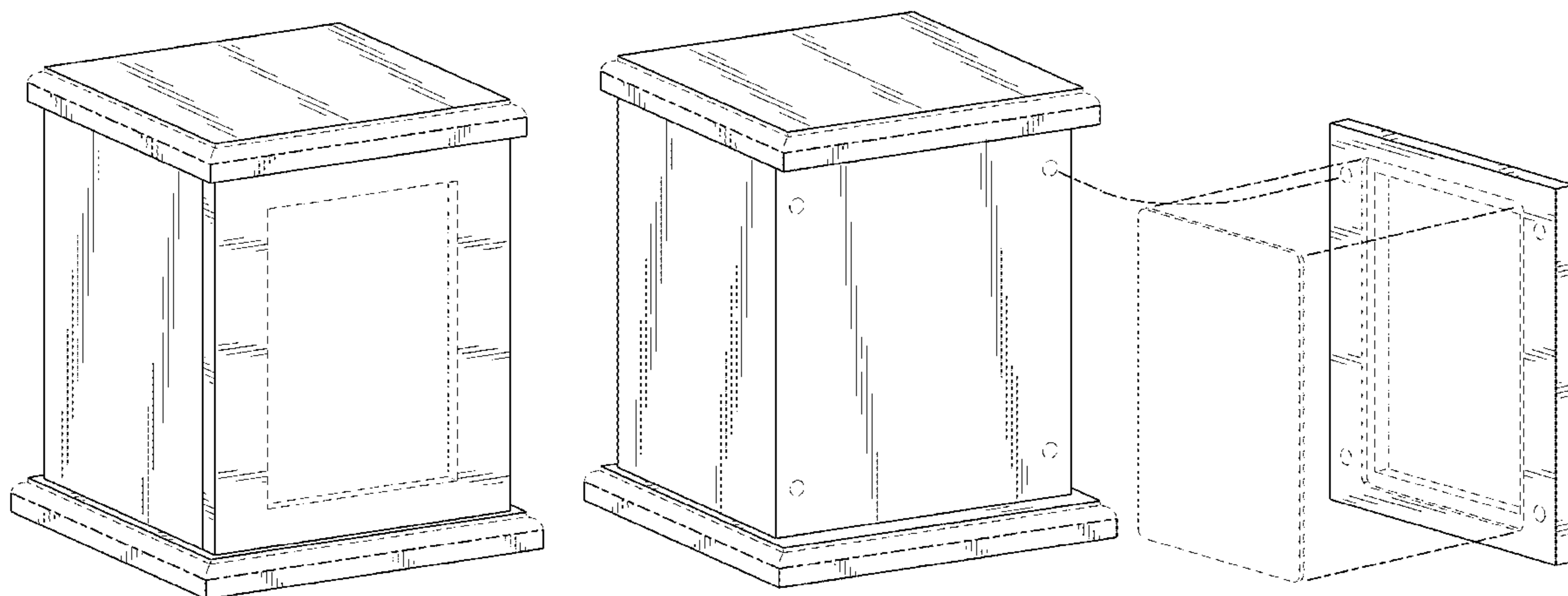
The ornamental design for an urn with picture holder, as shown and described.

DESCRIPTION

FIG. 1 is a perspective view of the urn with picture holder; FIG. 2 is a front view of the urn with picture holder; FIG. 3 is a rear view of the urn with picture holder; FIG. 4 is a left side view of the urn with picture holder; FIG. 5 is a right side view of the urn with picture holder; FIG. 6 is a top view of the urn with picture holder; FIG. 7 is a bottom view of the urn with picture holder; FIG. 8 is an exploded view of the urn with picture holder; FIG. 9 is a perspective view of a second urn with picture holder; FIG. 10 is a front view of the second urn with picture holder; FIG. 11 is a rear view of the second urn with picture holder; FIG. 12 is a left side view of the second urn with picture holder; FIG. 13 is a right side view of the second urn with picture holder; FIG. 14 is a top view of the second urn with picture holder; FIG. 15 is a bottom view of the second urn with picture holder; and, FIG. 16 is an exploded view of the second urn with picture holder.

The broken lines showing in the figures are included for the purpose of illustrating portions of the urn with picture holder that form no part of the claimed design. The dash-dot lines showing in the figures are included for defining the bounds of the claimed design that form no part thereof.

1 Claim, 10 Drawing Sheets



(56)

References Cited

U.S. PATENT DOCUMENTS

3,583,781	A *	6/1971	Yamawaki	A47B 3/00				
					312/258				
3,589,049	A *	6/1971	Cornelius	B42F 13/0006				
					40/711				
3,716,936	A *	2/1973	Miller	A47G 1/14				
					40/720				
4,195,729	A *	4/1980	Macken	A47G 1/14				
					206/216				
D255,628	S *	7/1980	Van Koert	D6/691.4				
5,287,603	A *	2/1994	Schorman	A61G 17/08				
					27/1				
5,533,241	A *	7/1996	McConnell	A61G 17/041				
					27/27				
D383,278	S *	9/1997	Jennings	D34/1				
D384,823	S *	10/1997	Sugar	D27/186				
5,813,099	A *	9/1998	Stewart	A61G 17/04				
					27/2				
D432,285	S *	10/2000	Baldwin		D99/5			
D433,209	S *	10/2000	Baldwin		D99/5			
D438,362	S *	2/2001	Robinson		D99/5			
D438,687	S *	3/2001	Robinson		D99/5			
D444,287	S *	6/2001	Cass		D99/5			
D444,288	S *	6/2001	Robinson		D99/5			
D444,932	S *	7/2001	Greiwe		D99/5			
6,526,636	B2 *	3/2003	Bernhardt	E04H 13/008				
					27/1				
D492,079	S *	6/2004	Feltman		D99/5			
D494,727	S *	8/2004	Poteet		D99/5			
6,792,709	B1 *	9/2004	Fine	A47G 1/0616				
					40/720				
D654,653	S *	2/2012	Johnson		D99/5			
D654,703	S *	2/2012	LeMay		D6/300			
8,341,812	B2 *	1/2013	Kocir	A61G 17/08				
					27/1				
D718,515	S *	11/2014	Jaxheimer		D99/5			
D748,362	S *	1/2016	Beeler		D99/5			

* cited by examiner

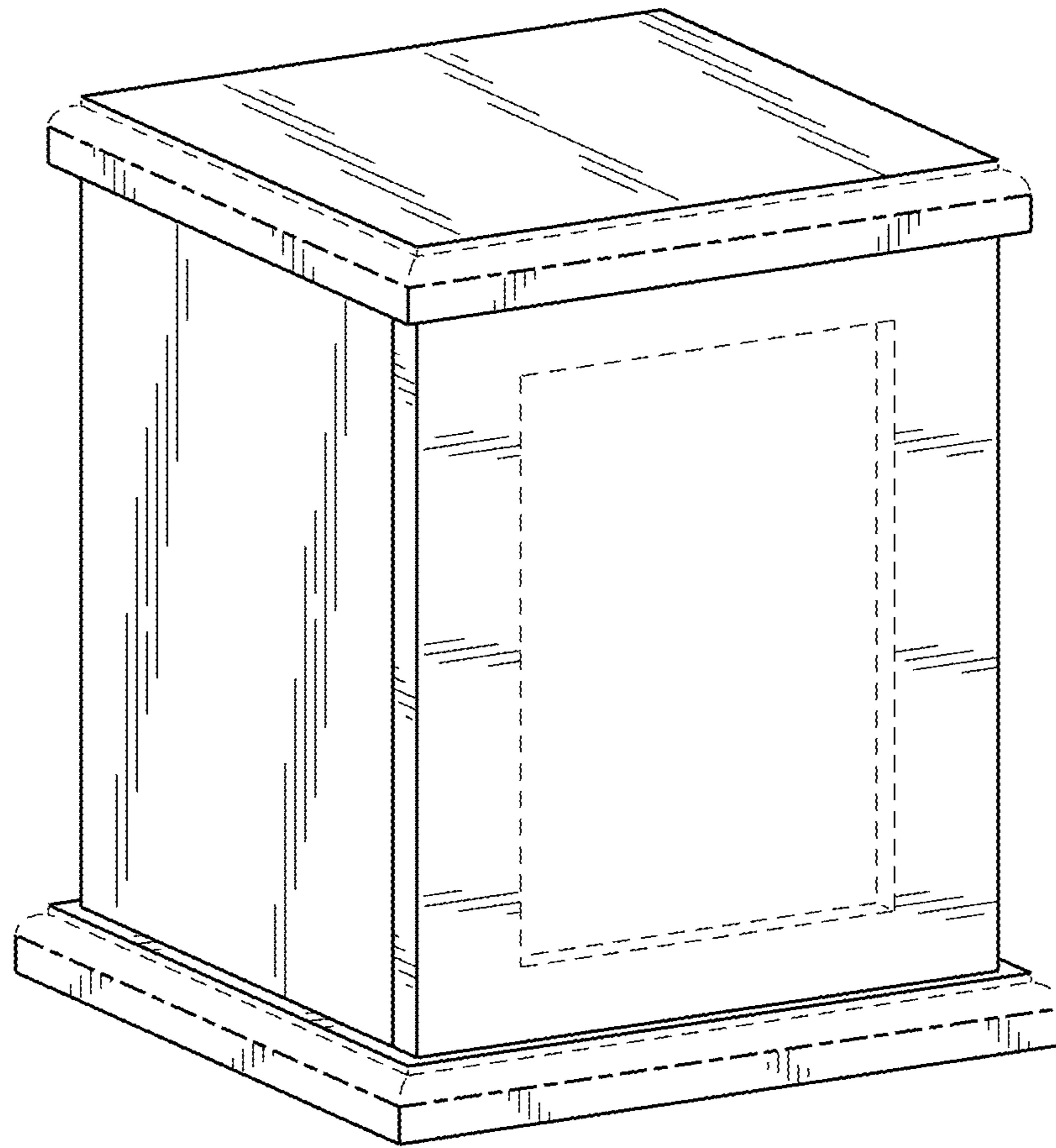


FIG. 1

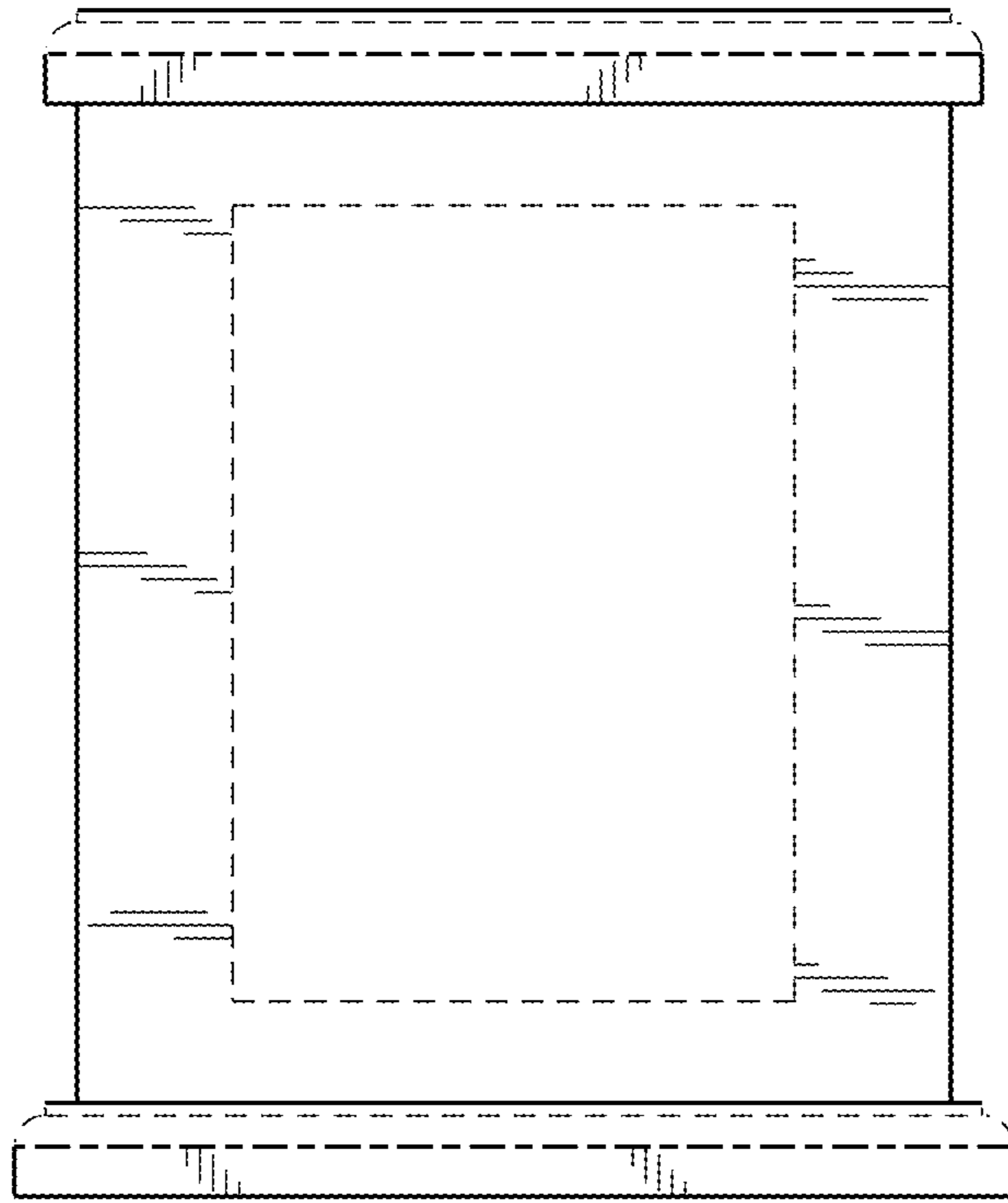


FIG. 2

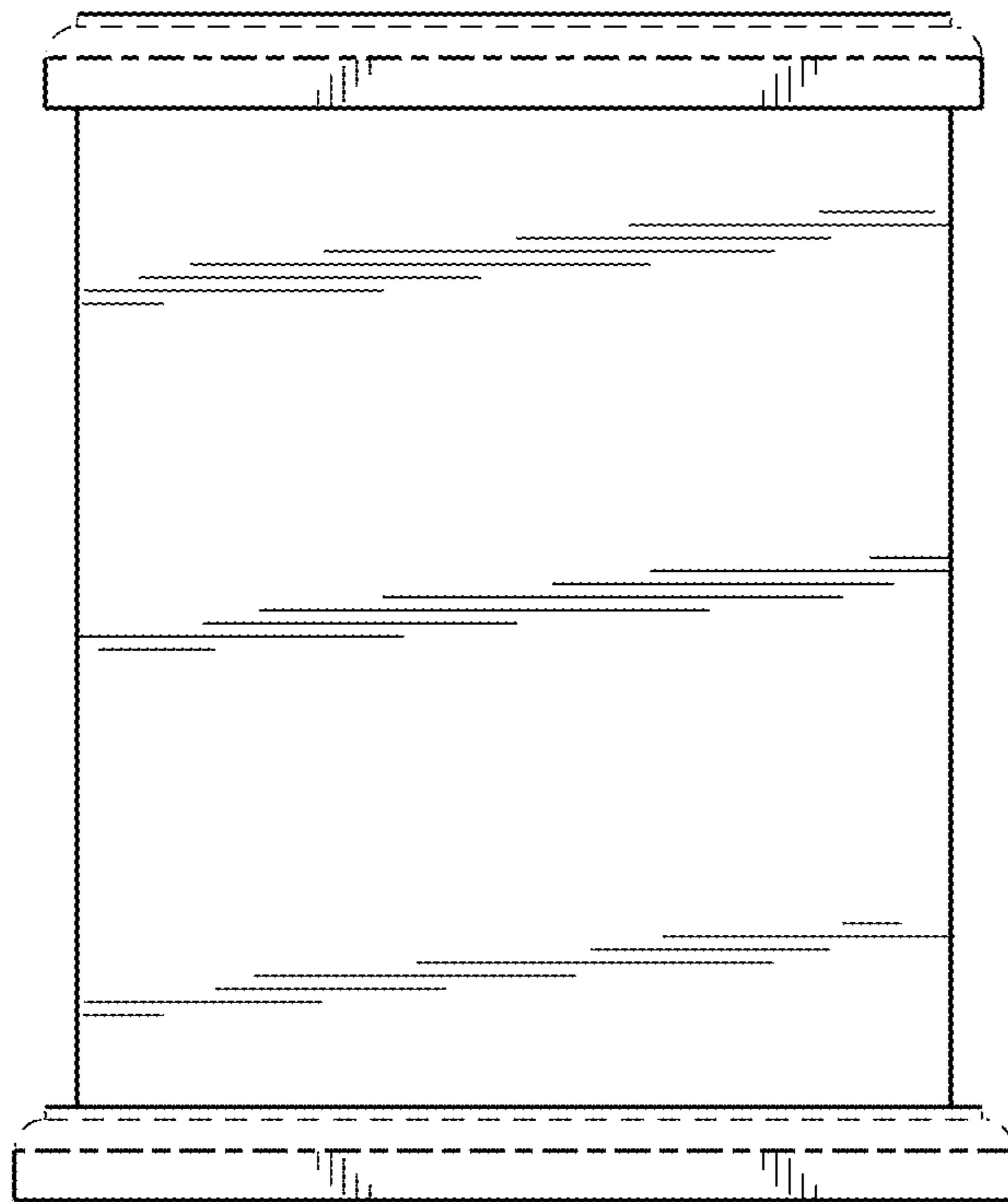


FIG. 3

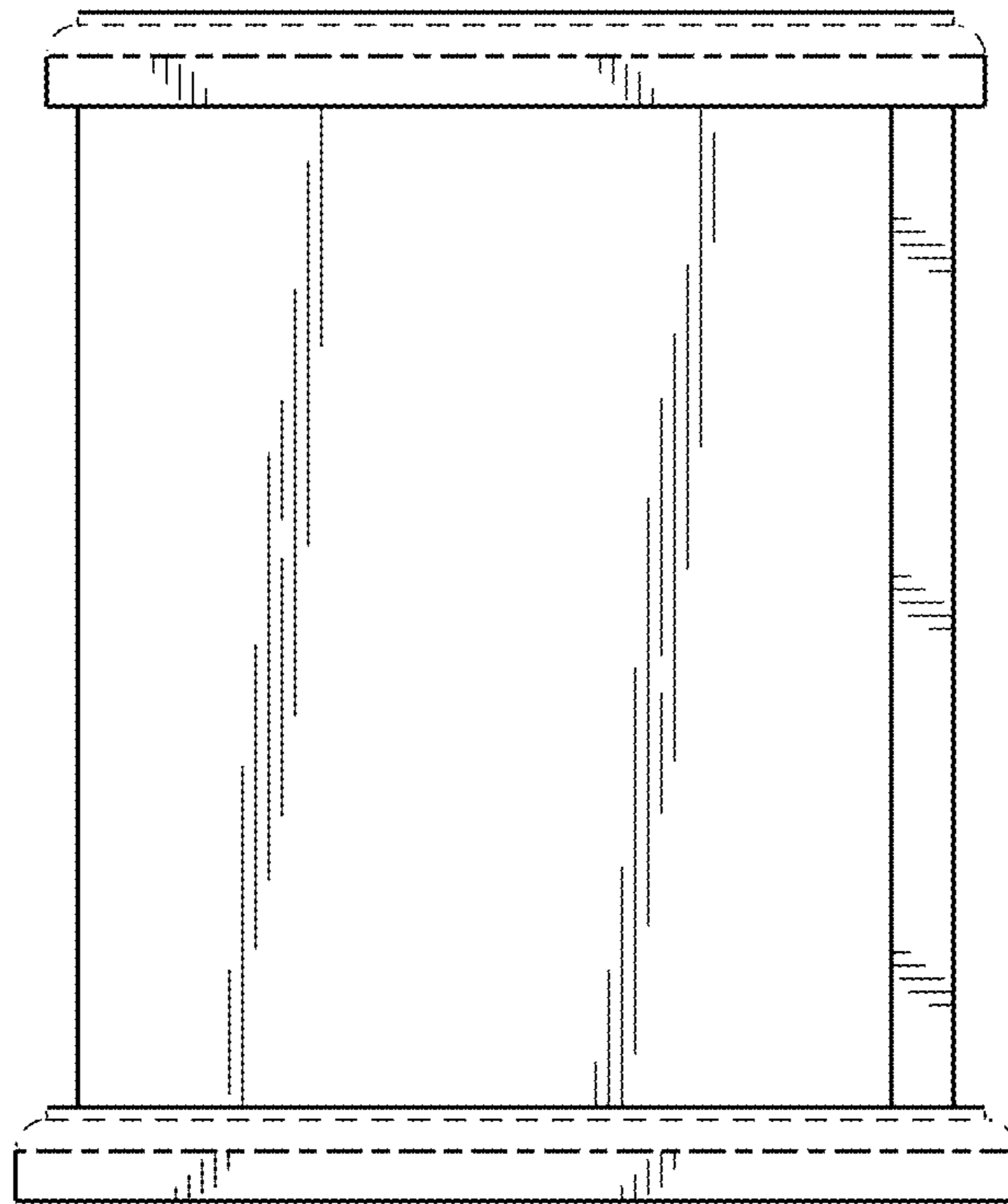


FIG. 4

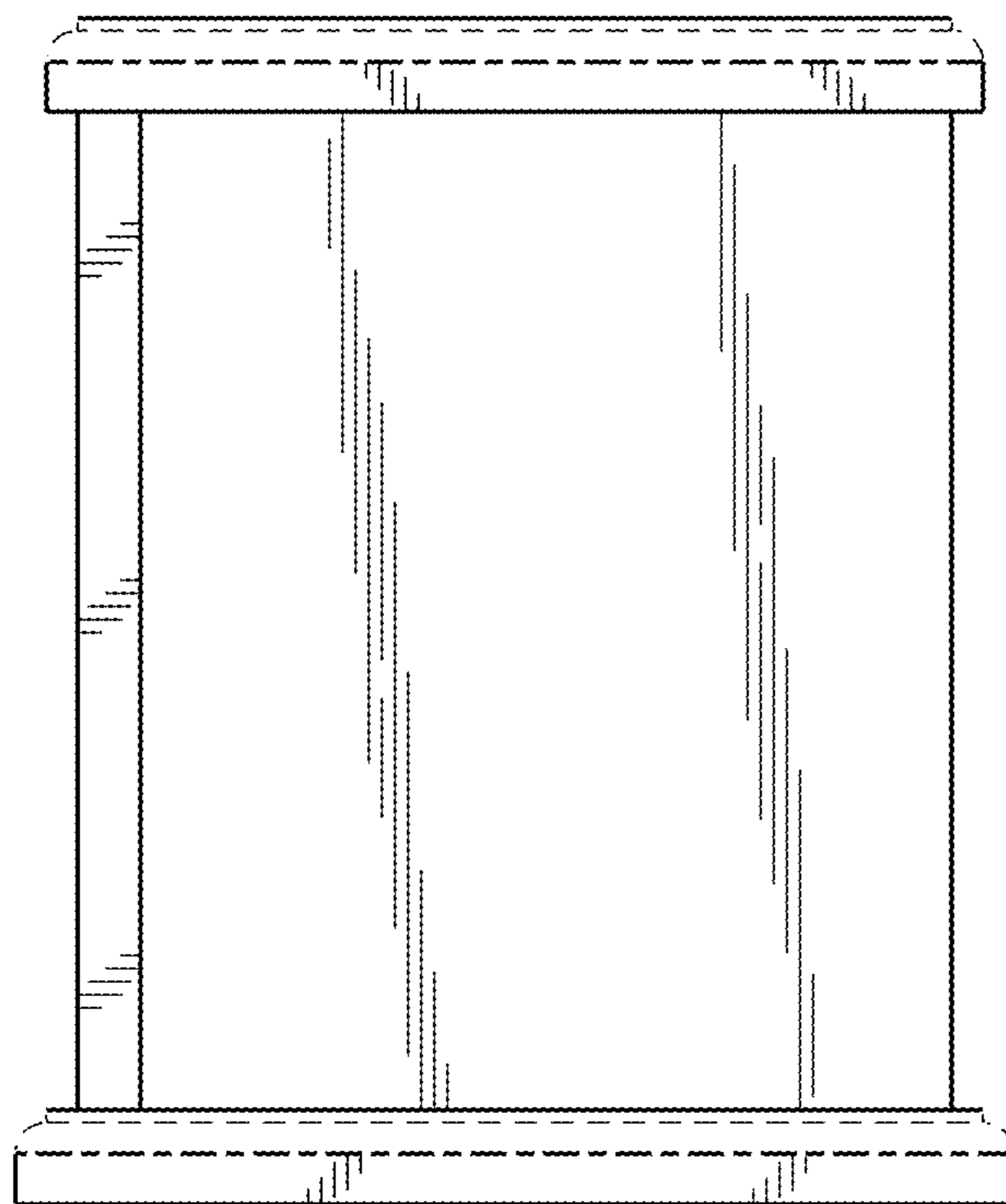


FIG. 5

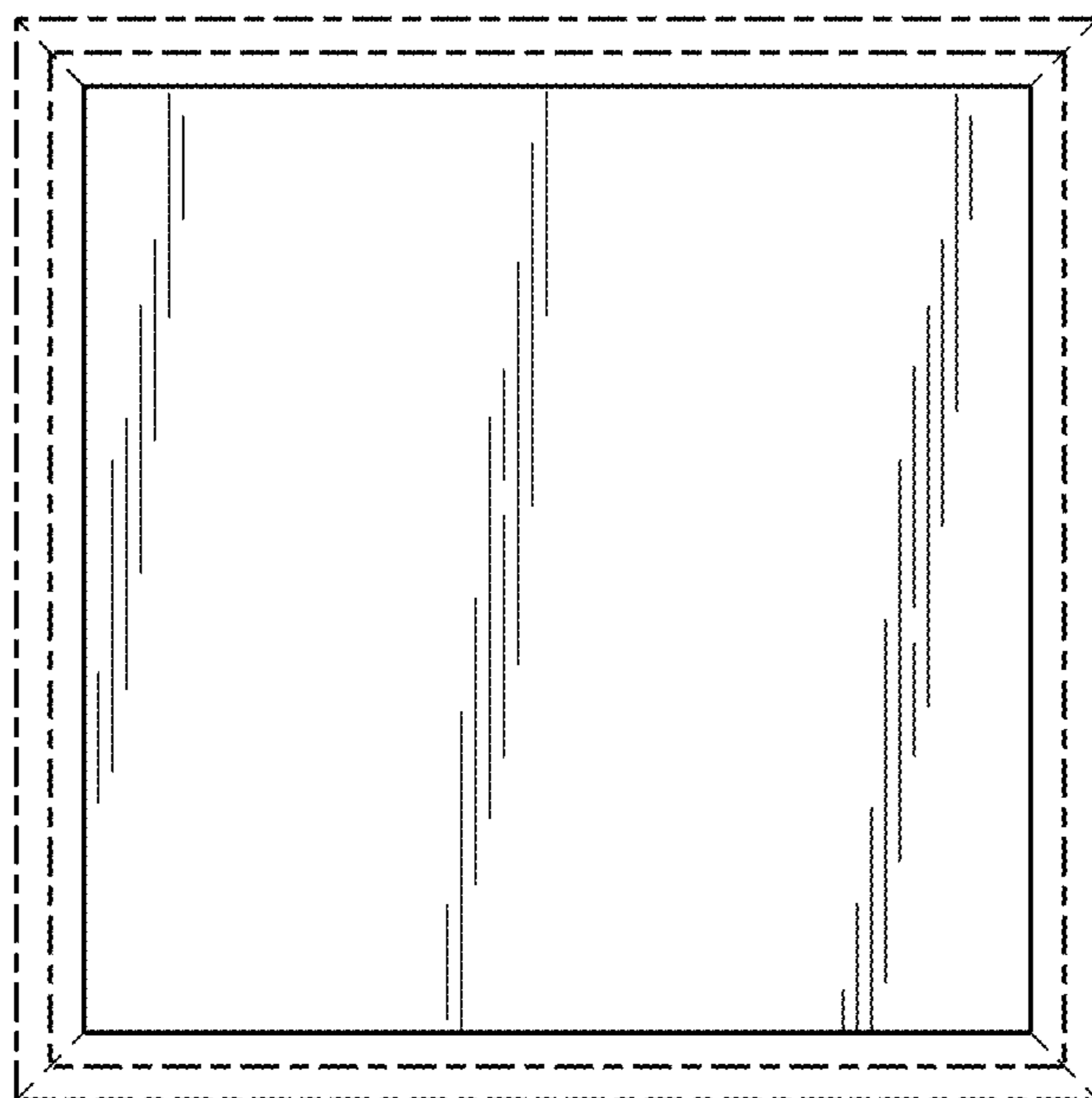


FIG. 6

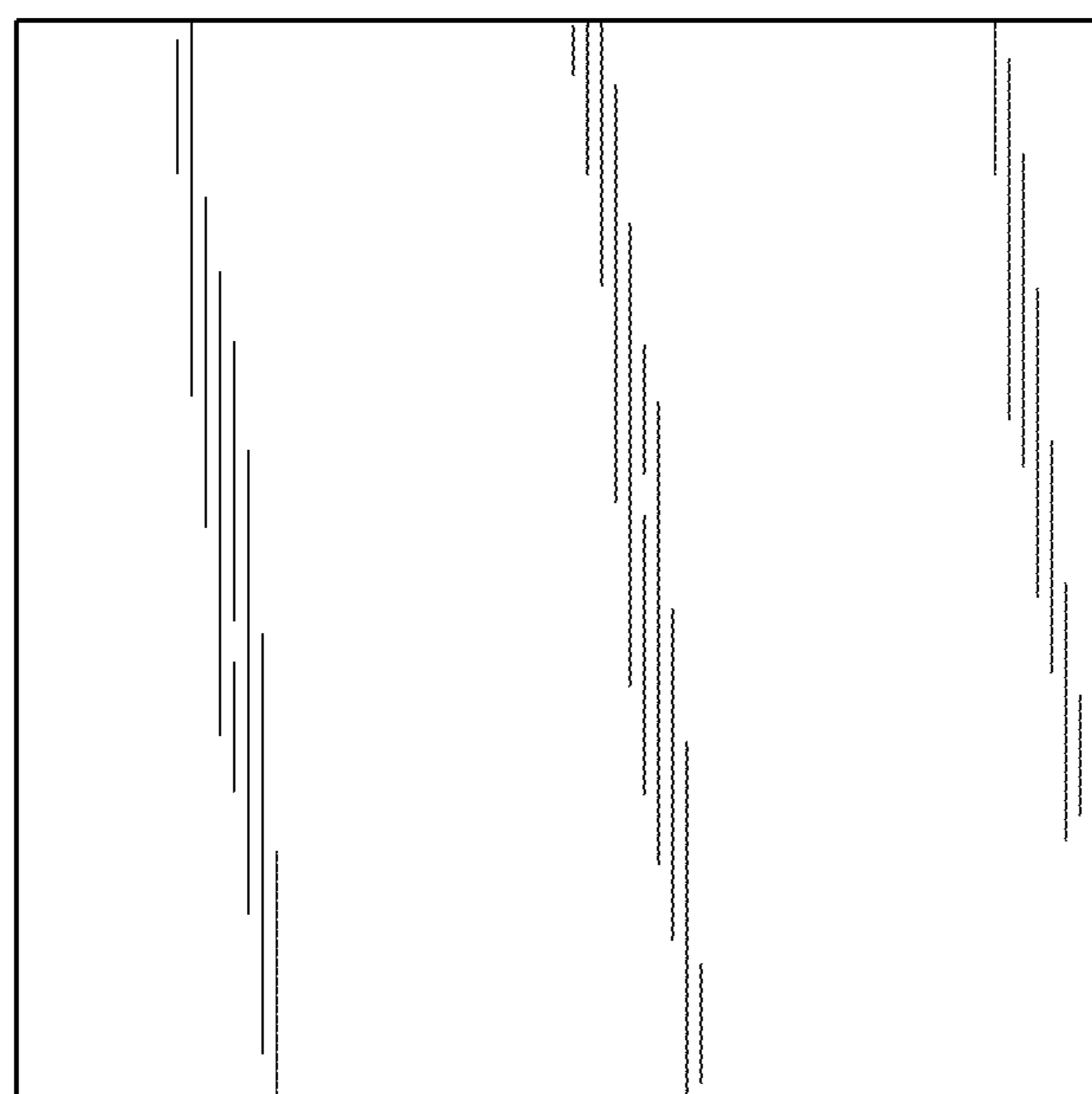


FIG. 7

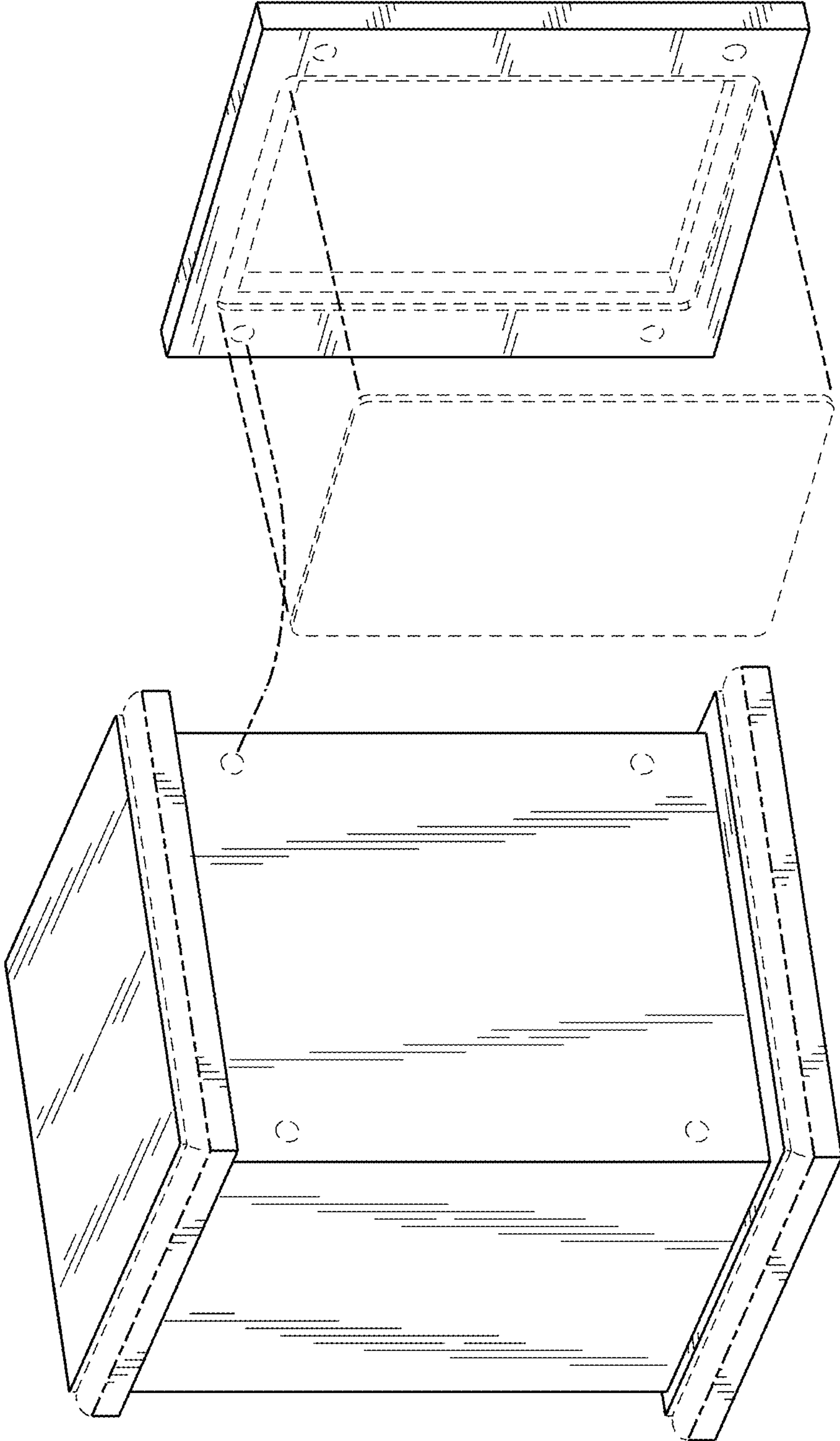


FIG. 8

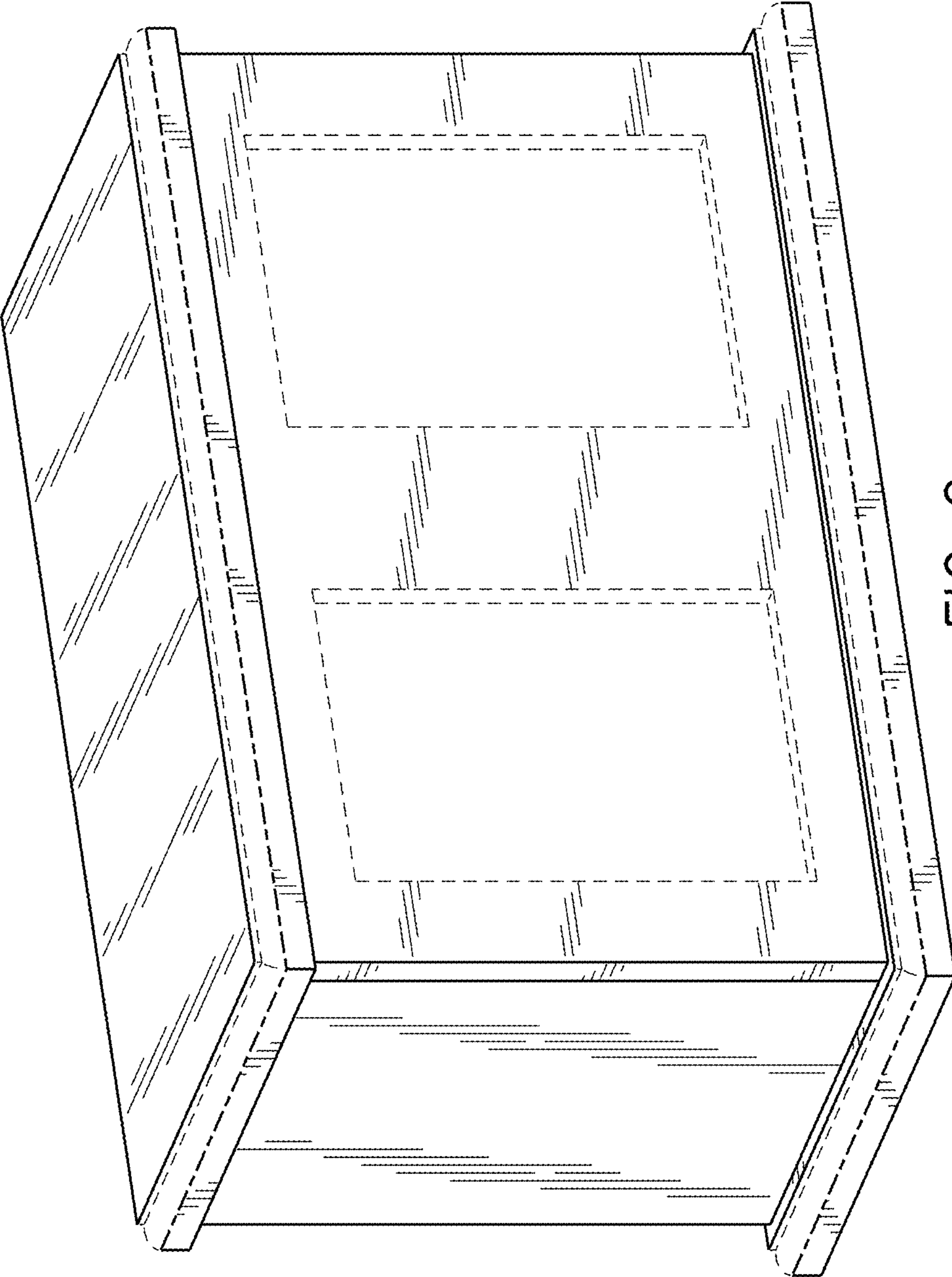


FIG. 9

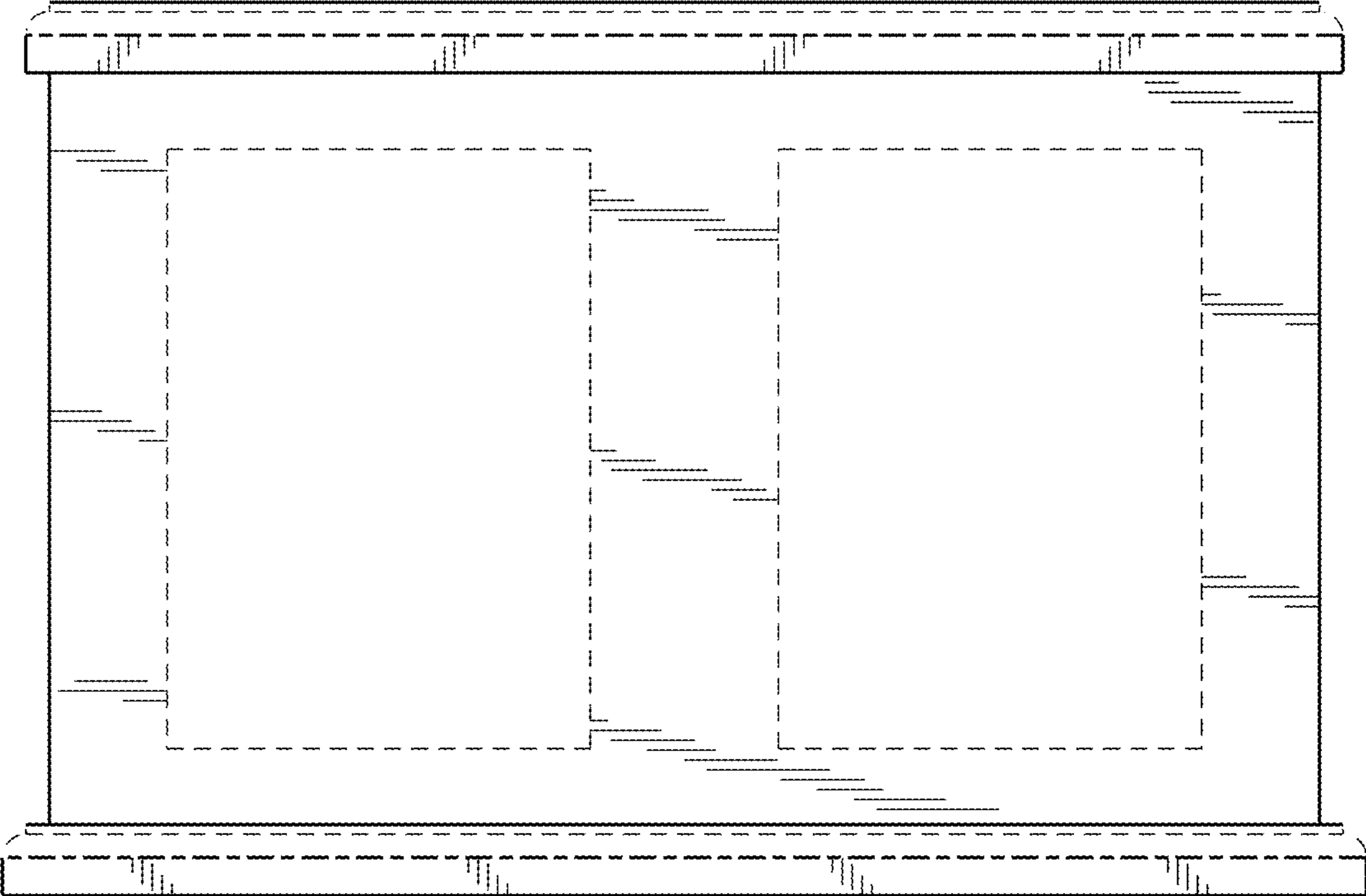


FIG. 10

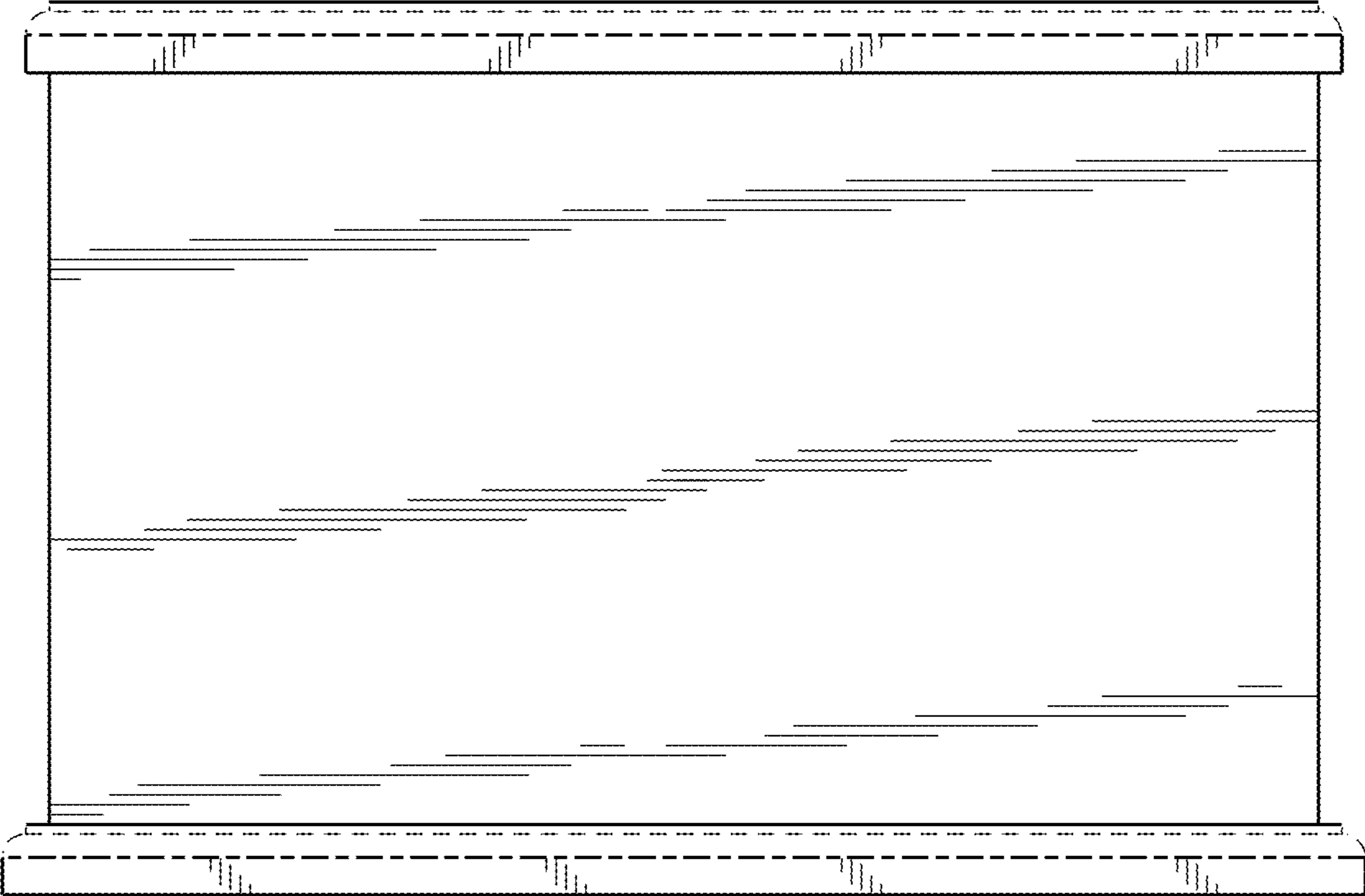


FIG. 11

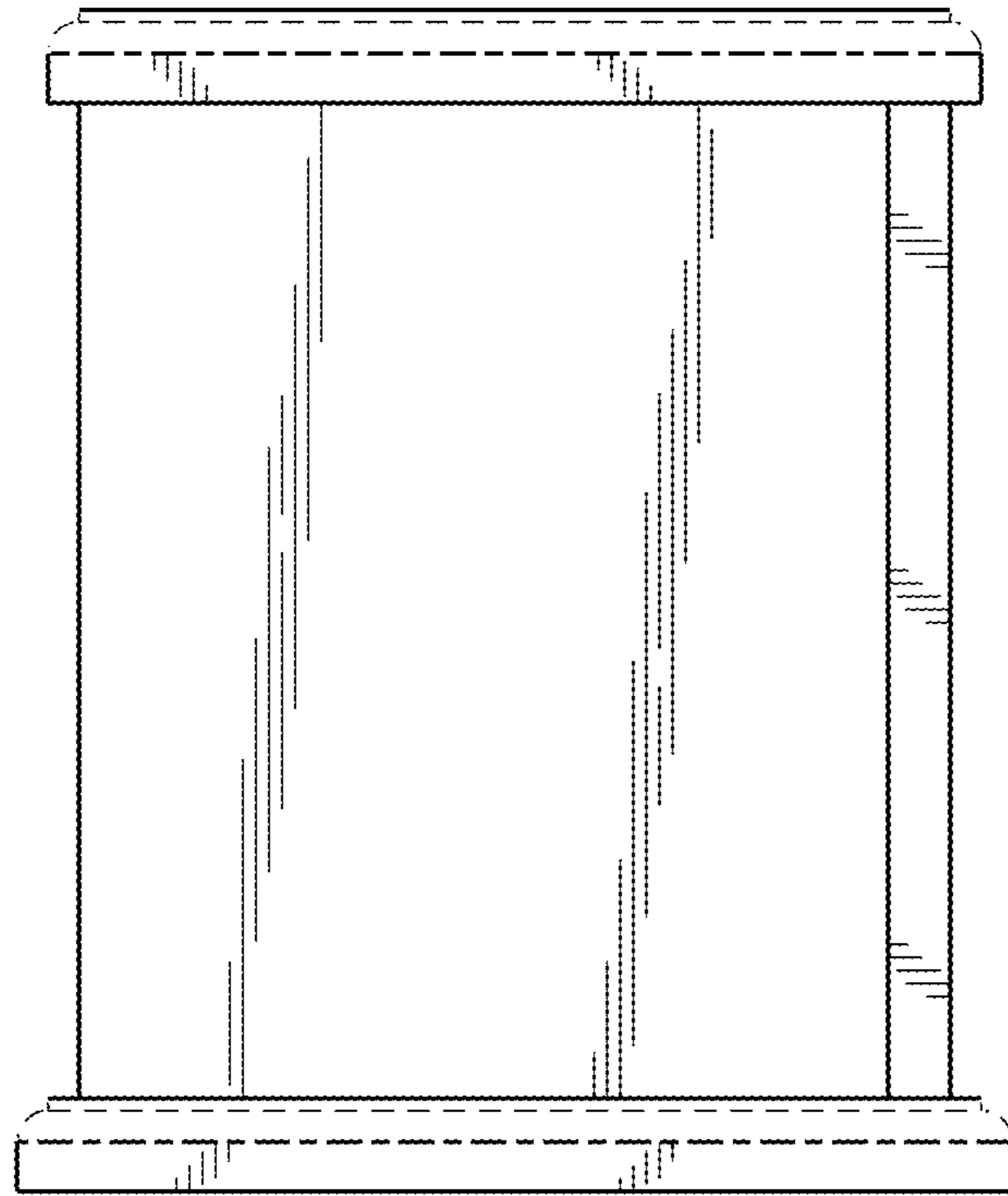


FIG. 12

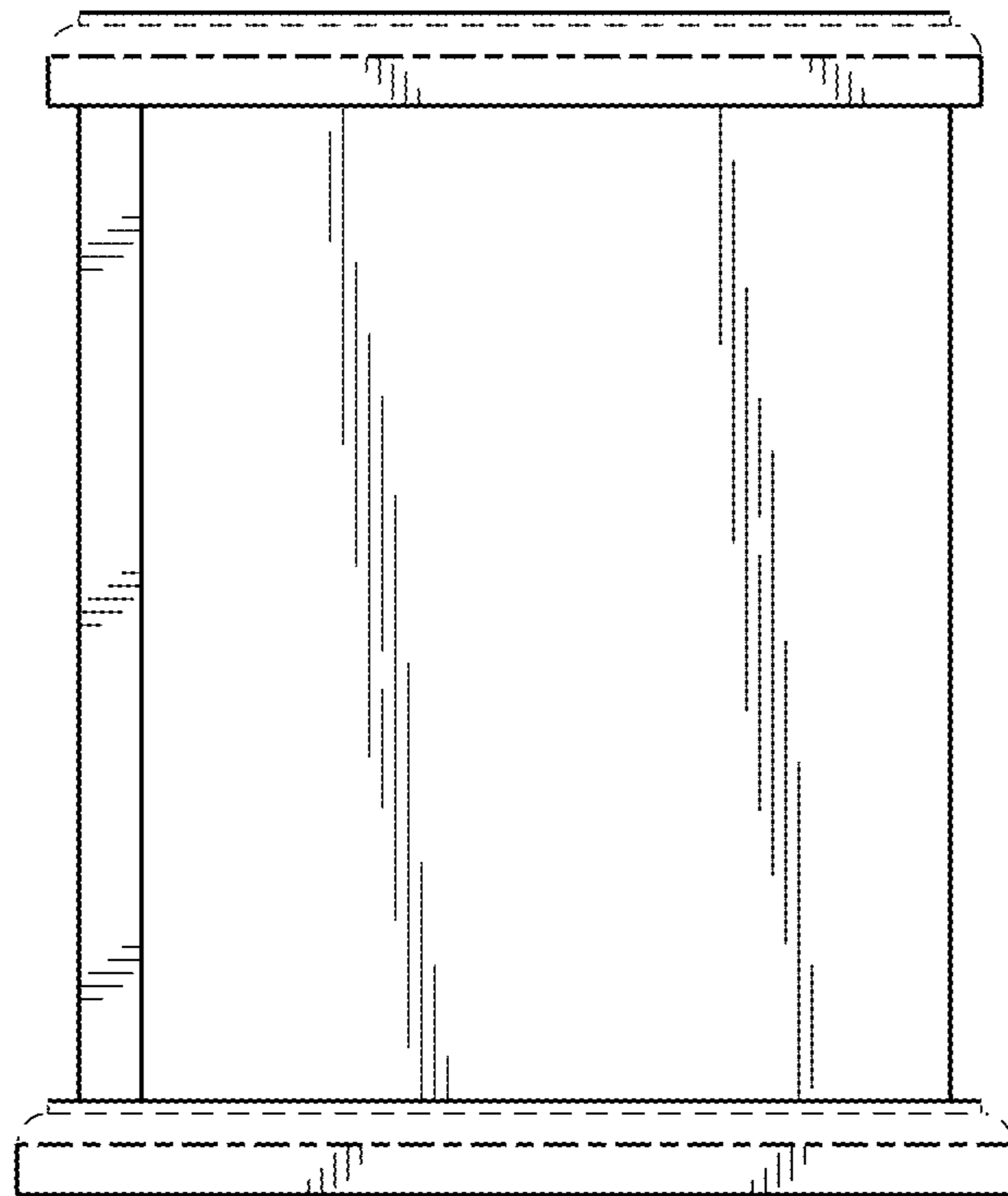


FIG. 13

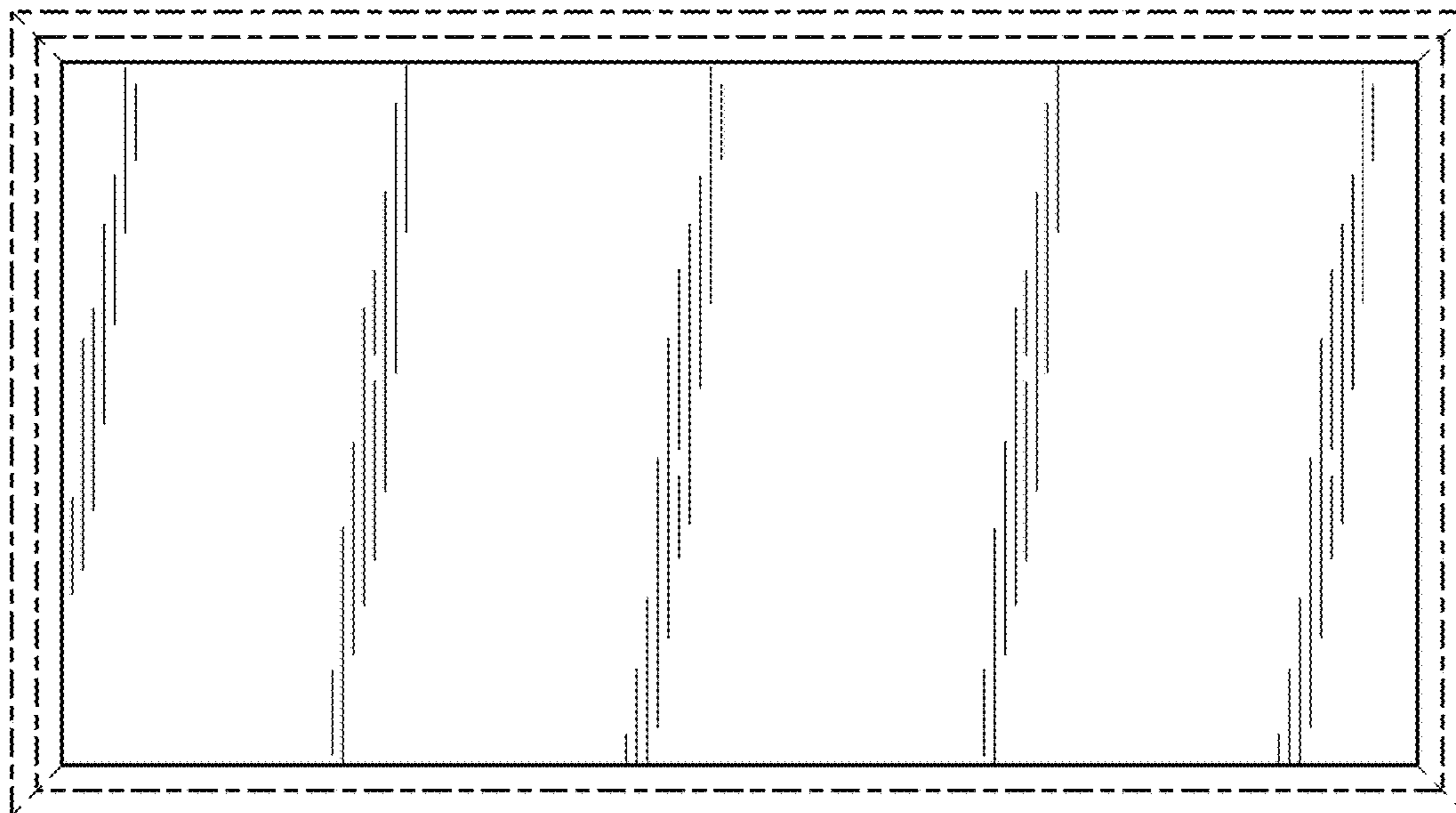


FIG. 14

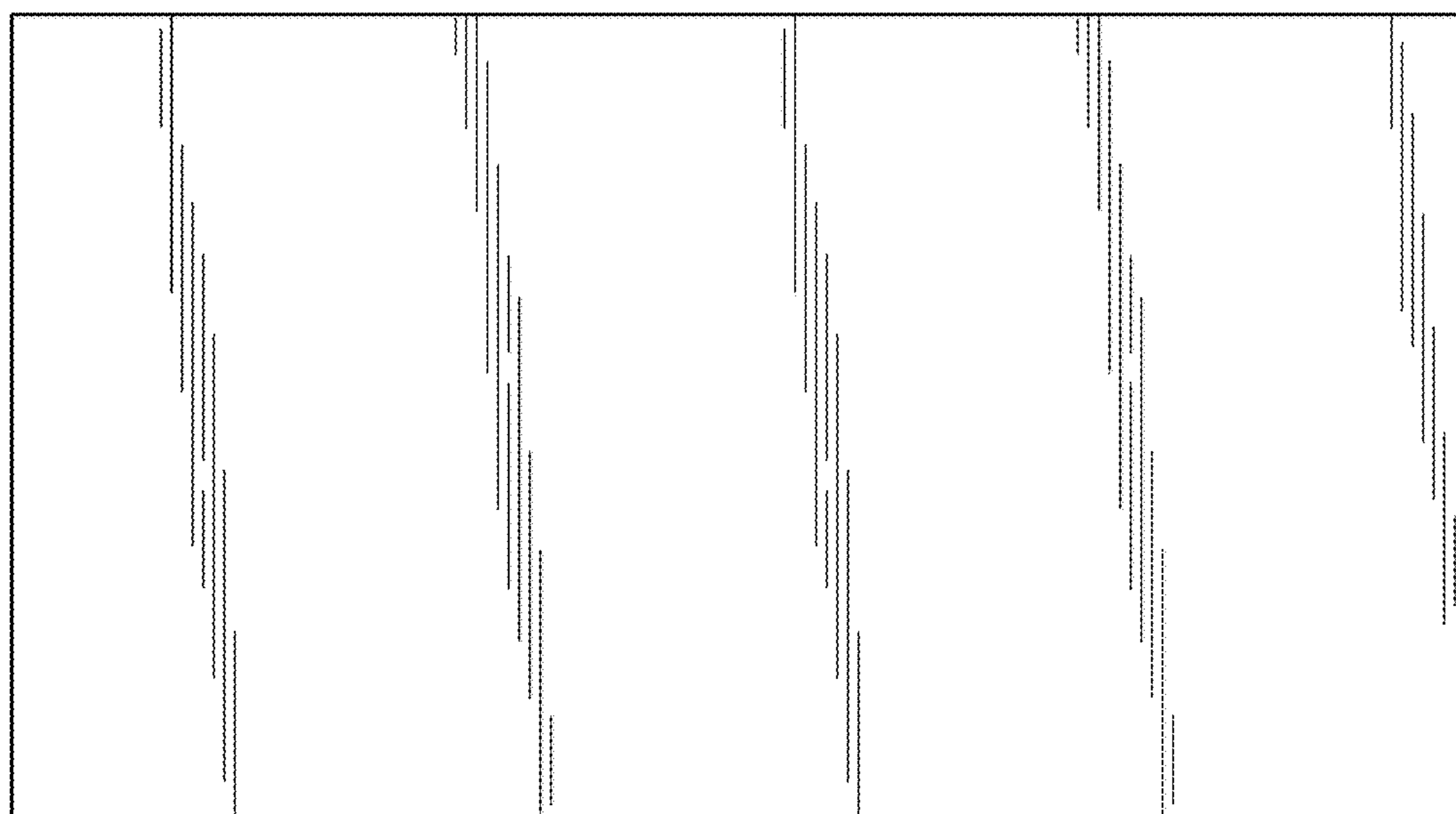


FIG. 15

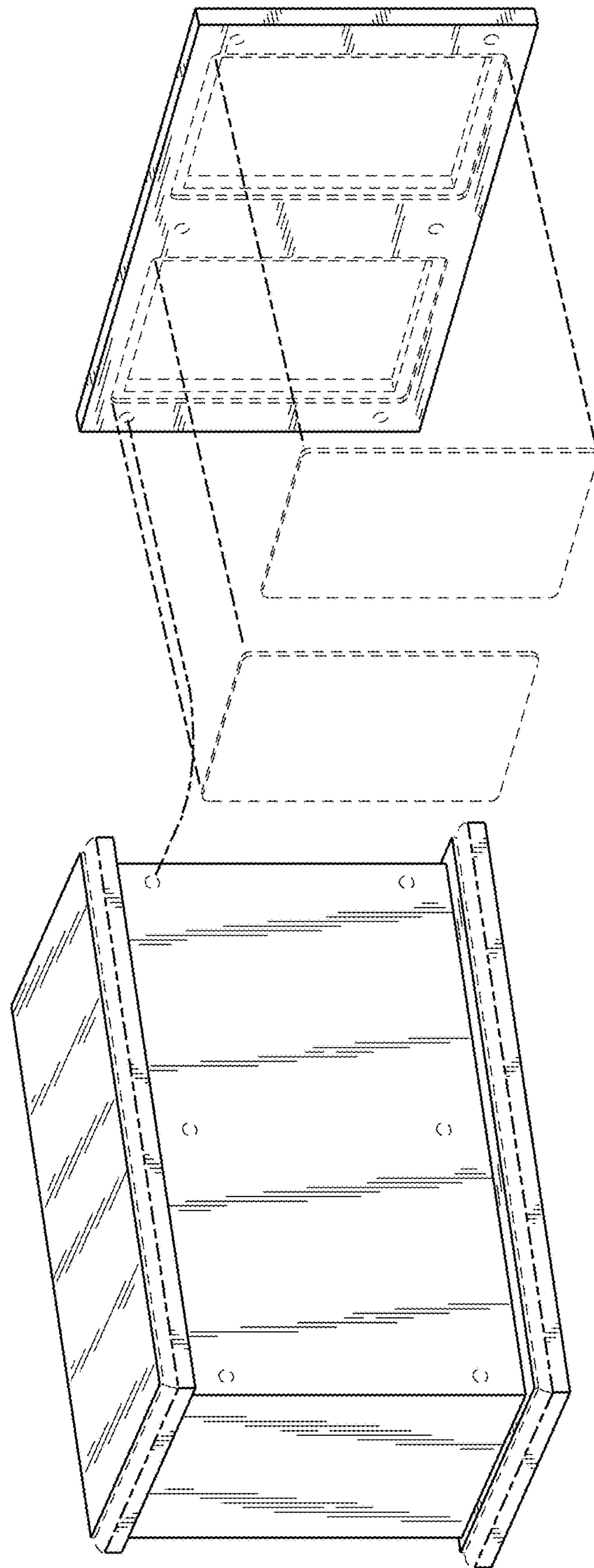


FIG. 16