



US00D793646S

(12) **United States Design Patent** (10) **Patent No.:** **US D793,646 S**  
**Bacallao et al.** (45) **Date of Patent:** **\*\* Aug. 1, 2017**

(54) **SHOPPING CART HANDLE COUPLING MECHANISM**

6,158,640 A 12/2000 Karp et al.  
D483,654 S \* 12/2003 Taylor ..... D8/356  
D484,783 S \* 1/2004 Woodhall ..... D8/356

(Continued)

(71) Applicant: **Wal-Mart Stores, Inc.**, Bentonville, AR (US)

FOREIGN PATENT DOCUMENTS

(72) Inventors: **Yurgis Mauro Bacallao**, Centerton, AR (US); **Michael D. Bookman**, Sugar Hill, GA (US)

CN 205429849 U 8/2016

OTHER PUBLICATIONS

(73) Assignee: **WAL-MART STORES, INC.**, Bentonville, AR (US)

“ChargerCity iPad iPad 2 iPad 3 Universal Tablet Handle Bar Mic Microphone Stand Shopping Cart Bicycle Wheelchair Golf Push Cart Mount (Fits all standard handle bar from .75" to 1”),” ChargerCity Sporting Accessory, Amazon.com, first accessed on Nov. 30, 2016; 1 page.

(Continued)

(\*\*) Term: **15 Years**

Primary Examiner — Cynthia Ramirez

(21) Appl. No.: **29/548,742**

(22) Filed: **Dec. 16, 2015**

(51) **LOC (10) Cl.** ..... **12-02**

(52) **U.S. Cl.**  
USPC ..... **D34/27; D8/396**

(58) **Field of Classification Search**  
USPC ..... D34/27; D8/356, 394, 395, 396;  
280/33.991, 33.992, 33.993; D13/155  
CPC ..... B62B 5/082; B62B 5/069; B62B 3/1472  
See application file for complete search history.

(74) *Attorney, Agent, or Firm* — Schmeiser, Olsen & Watts LLP

(57) **CLAIM**

The ornamental design for a shopping cart handle coupling mechanism, as shown and described.

**DESCRIPTION**

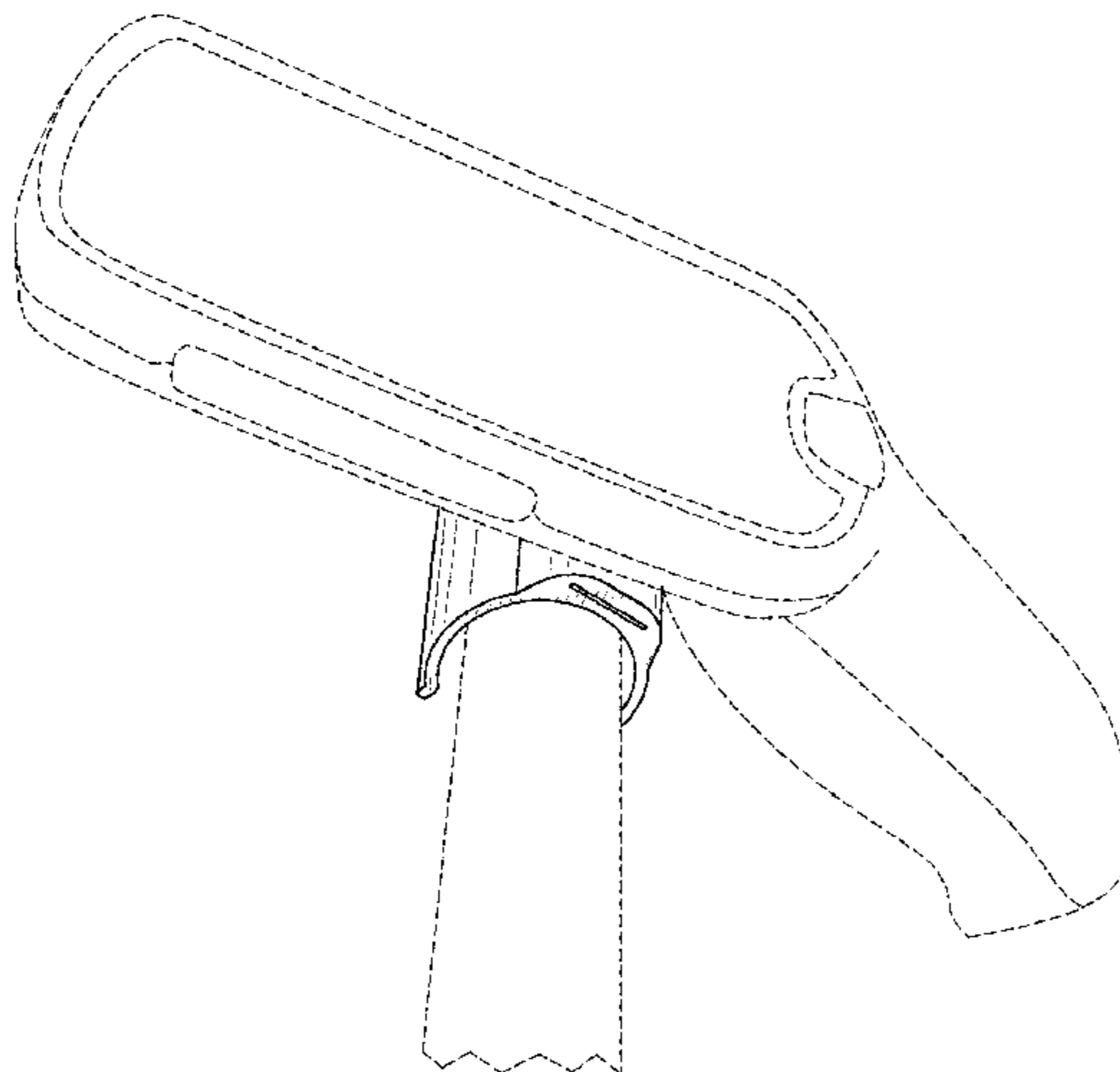
(56) **References Cited**

U.S. PATENT DOCUMENTS

D241,314 S \* 9/1976 Hug ..... D11/27  
D269,155 S \* 5/1983 Rose ..... D8/356  
4,506,408 A 3/1985 Brown  
D295,723 S \* 5/1988 Shioda ..... D8/380  
5,018,260 A \* 5/1991 Ziu ..... F16L 7/00  
138/108  
5,199,534 A \* 4/1993 Goff ..... B62B 5/04  
16/35 R  
5,244,175 A 9/1993 Frankel  
5,263,578 A 11/1993 Narvey  
5,380,326 A 1/1995 Lin  
D368,567 S \* 4/1996 Chase ..... D34/29  
5,615,903 A 4/1997 Spear et al.  
D428,326 S \* 7/2000 Nakamura ..... D8/356

FIG. 1 is a perspective view of a shopping cart handle coupling mechanism showing our new design; FIG. 2 is a front view thereof; FIG. 3 is a top, side perspective view thereof; FIG. 4 is bottom, side perspective view thereof; FIG. 5 is a front view thereof; FIG. 6 is a side view thereof; FIG. 7 is a bottom view thereof; and, FIG. 8 is a top view thereof. In the drawings, the thin lines are to illustrate contours and form no part of the claimed design. Also, the broken lines in FIGS. 1 and 2 are to show environment and form no part of the claimed design.

**1 Claim, 4 Drawing Sheets**



(56)

References Cited

U.S. PATENT DOCUMENTS

D487,482 S \* 3/2004 Disher ..... D19/65  
 D518,261 S \* 3/2006 Varga ..... D32/35  
 D531,019 S \* 10/2006 Plumer ..... D8/396  
 D547,023 S \* 7/2007 Buerchner ..... D34/27  
 D625,582 S \* 10/2010 Cleghorn ..... D8/356  
 8,348,449 B2 1/2013 Mccorkle et al.  
 8,479,969 B2 7/2013 Shelton, IV  
 8,534,520 B1 9/2013 Liparoti  
 D690,997 S \* 10/2013 Zemel ..... D7/590  
 9,022,287 B1 5/2015 George  
 9,059,591 B2 6/2015 Niec et al.  
 9,148,033 B2 9/2015 Van Wiemeersch  
 D747,275 S \* 1/2016 Rodrigue ..... D13/155  
 D754,530 S \* 4/2016 Schroeder ..... D8/396  
 D760,583 S \* 7/2016 Weilage ..... D8/395  
 2002/0096610 A1 7/2002 Fernandez  
 2004/0111320 A1 6/2004 Schlieffers et al.  
 2008/0169620 A1 7/2008 Pierce

2010/0115739 A1 5/2010 Mathur  
 2010/0212094 A1 \* 8/2010 Cohen ..... B08B 9/023  
 15/104.04  
 2012/0043931 A1 2/2012 Terao et al.  
 2013/0271070 A1 10/2013 Hirano  
 2016/0079801 A1 3/2016 Zhang et al.

OTHER PUBLICATIONS

“Beckson Marine Clip-Mate 1-3/16"-1-1/2" Holding Clips—Superior Extruded Hold for Sale”, [electronic-circuits-diagrams.com](http://electronic-circuits-diagrams.com), accessed Oct. 13, 2015; 9 pages.  
 “Round Items Holding Clips Black”, Sea-Screw, [seascrew.com](http://seascrew.com), accessed Oct. 13, 2015; 2 pages.  
 “42mm Dual Bossed Rubber Lined Clamp Pipe Clip-Suits 39-46mm Diameter Pipe”, [pipelagging.com](http://pipelagging.com), accessed Oct. 13, 2015; 3 pages.  
 “Holding Clips”, J.J. Enterprise, [indiamart.com/jjenterprise/](http://indiamart.com/jjenterprise/), accessed Oct. 13, 2015; 6 pages.

\* cited by examiner

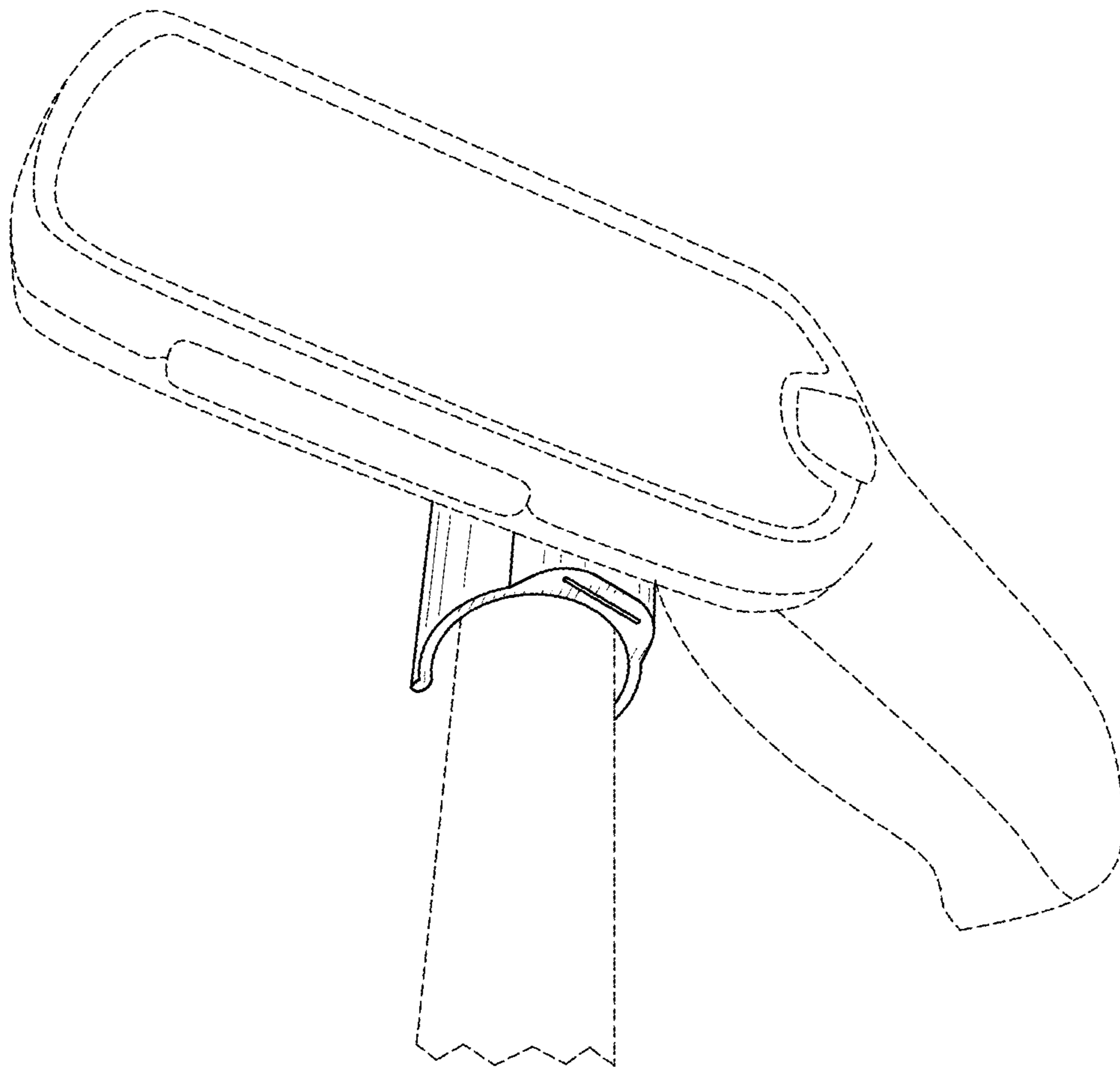


FIG. 1

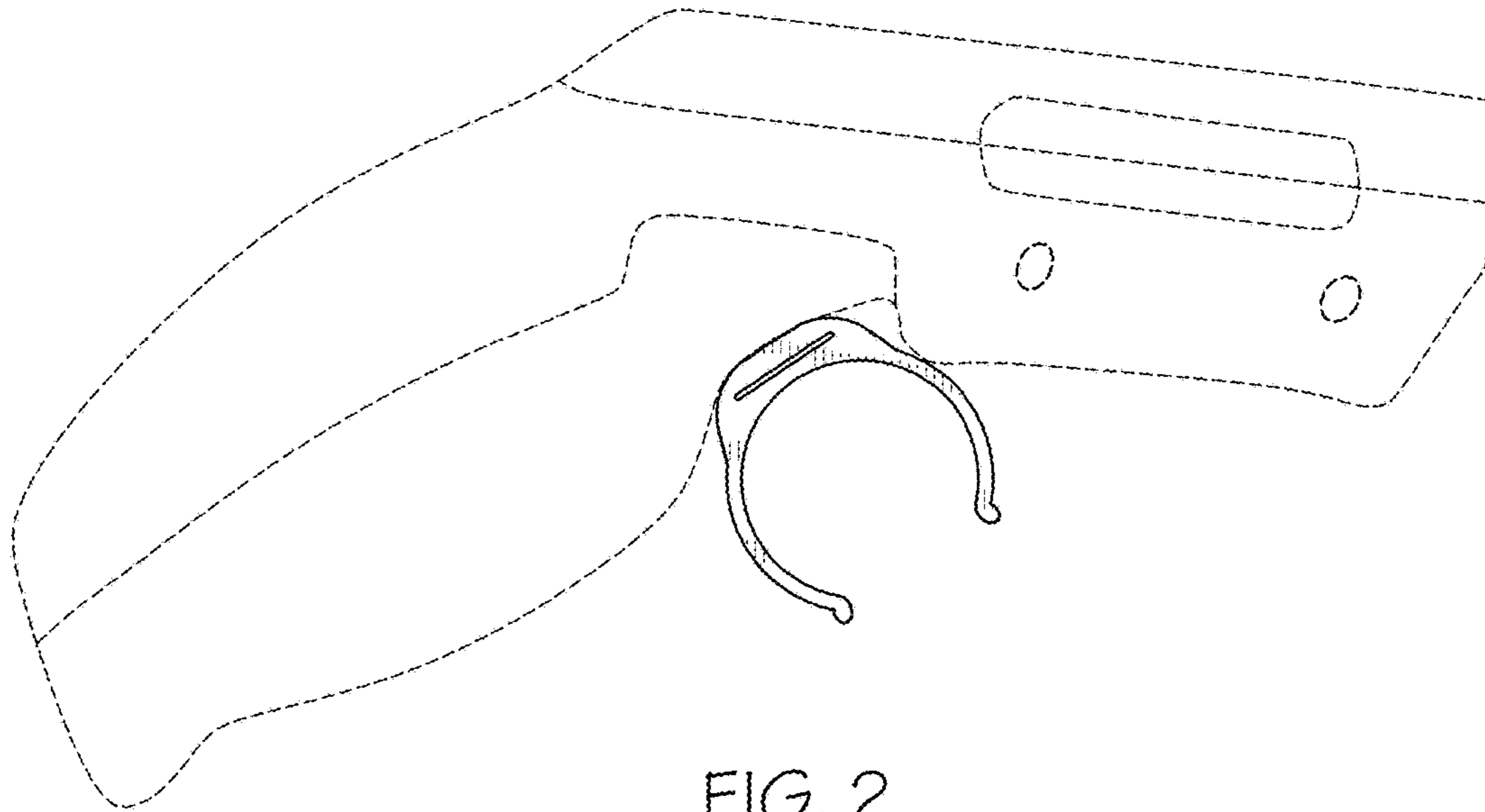


FIG. 2

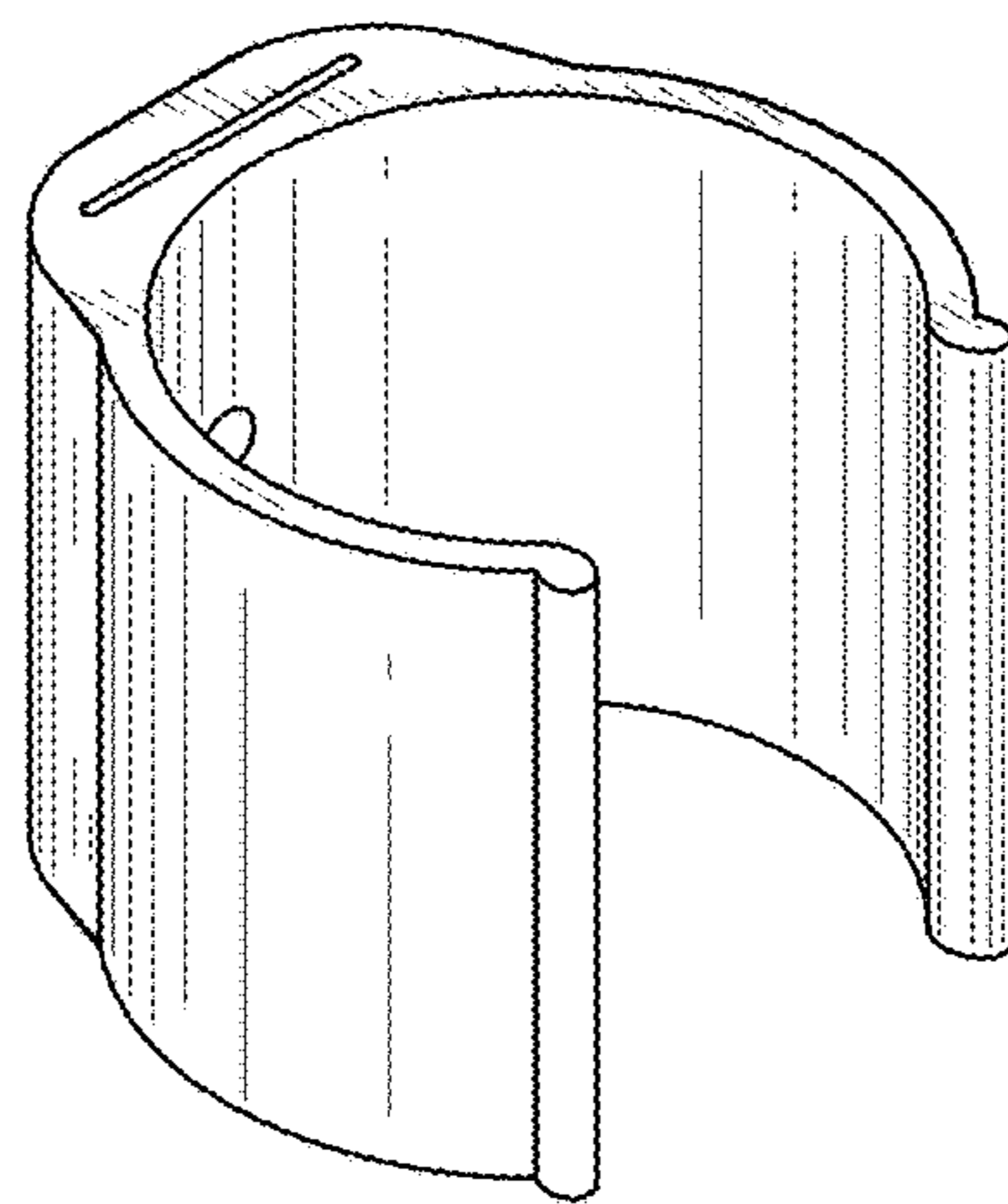


FIG. 3

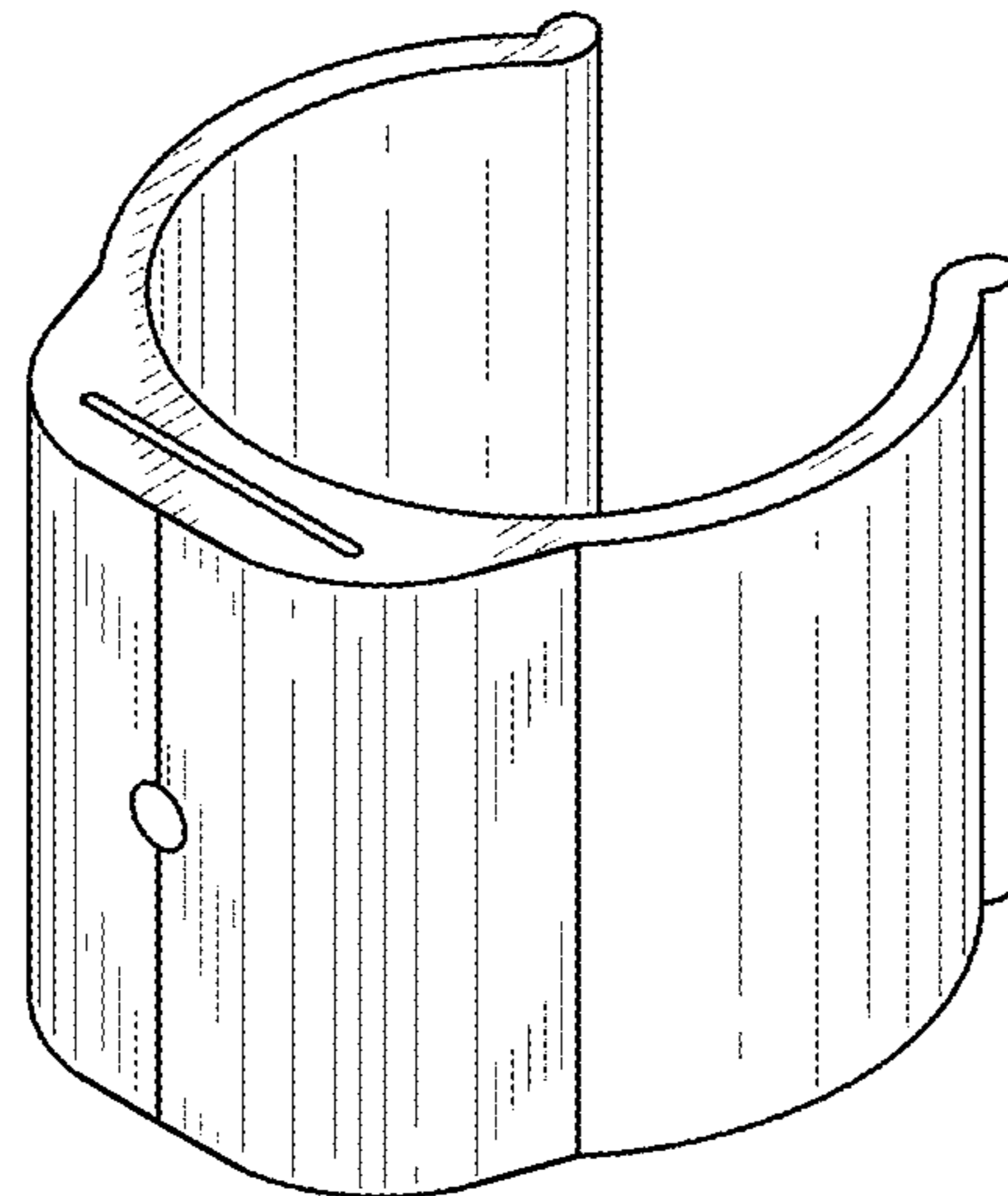


FIG. 4

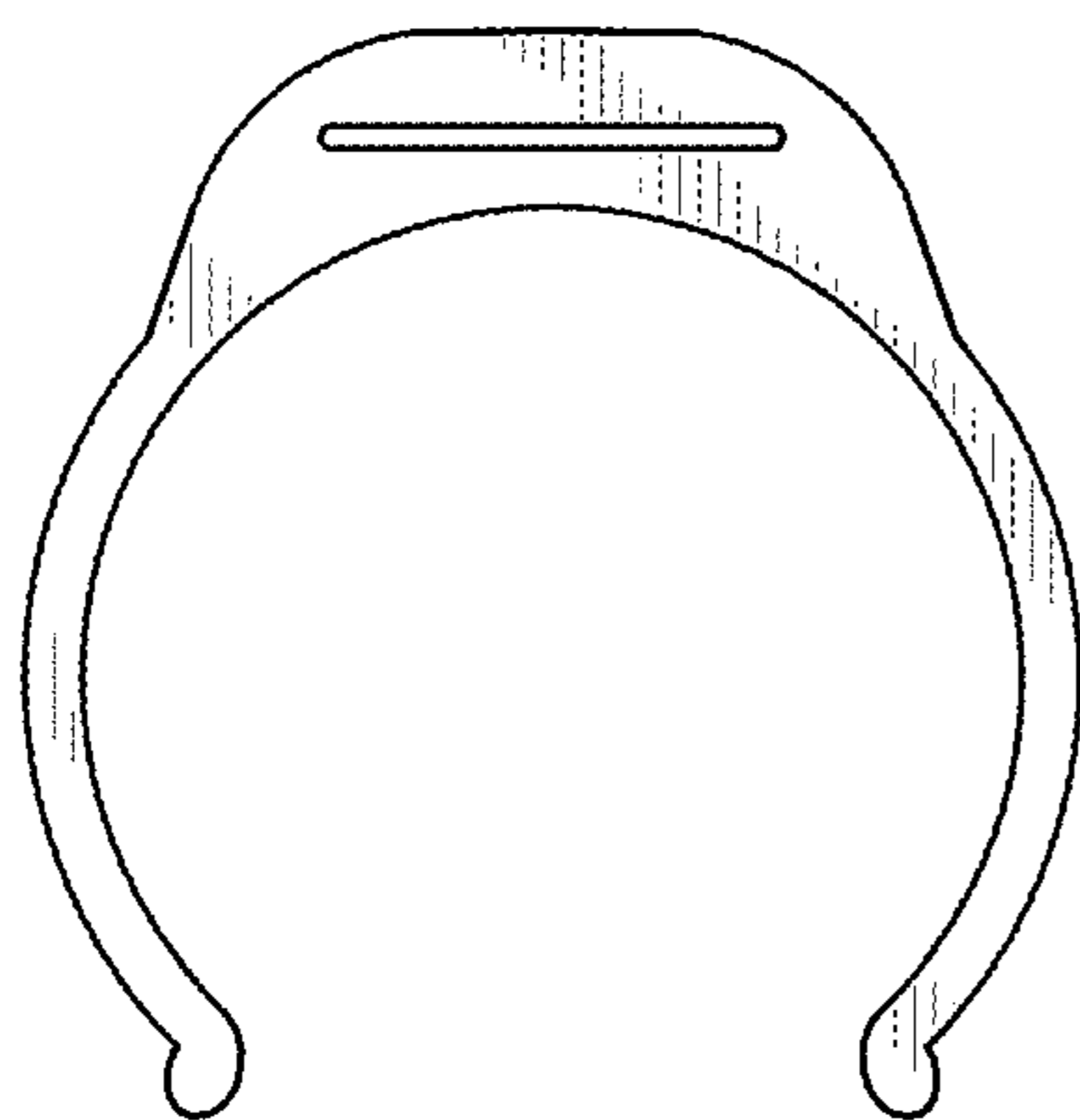


FIG. 5

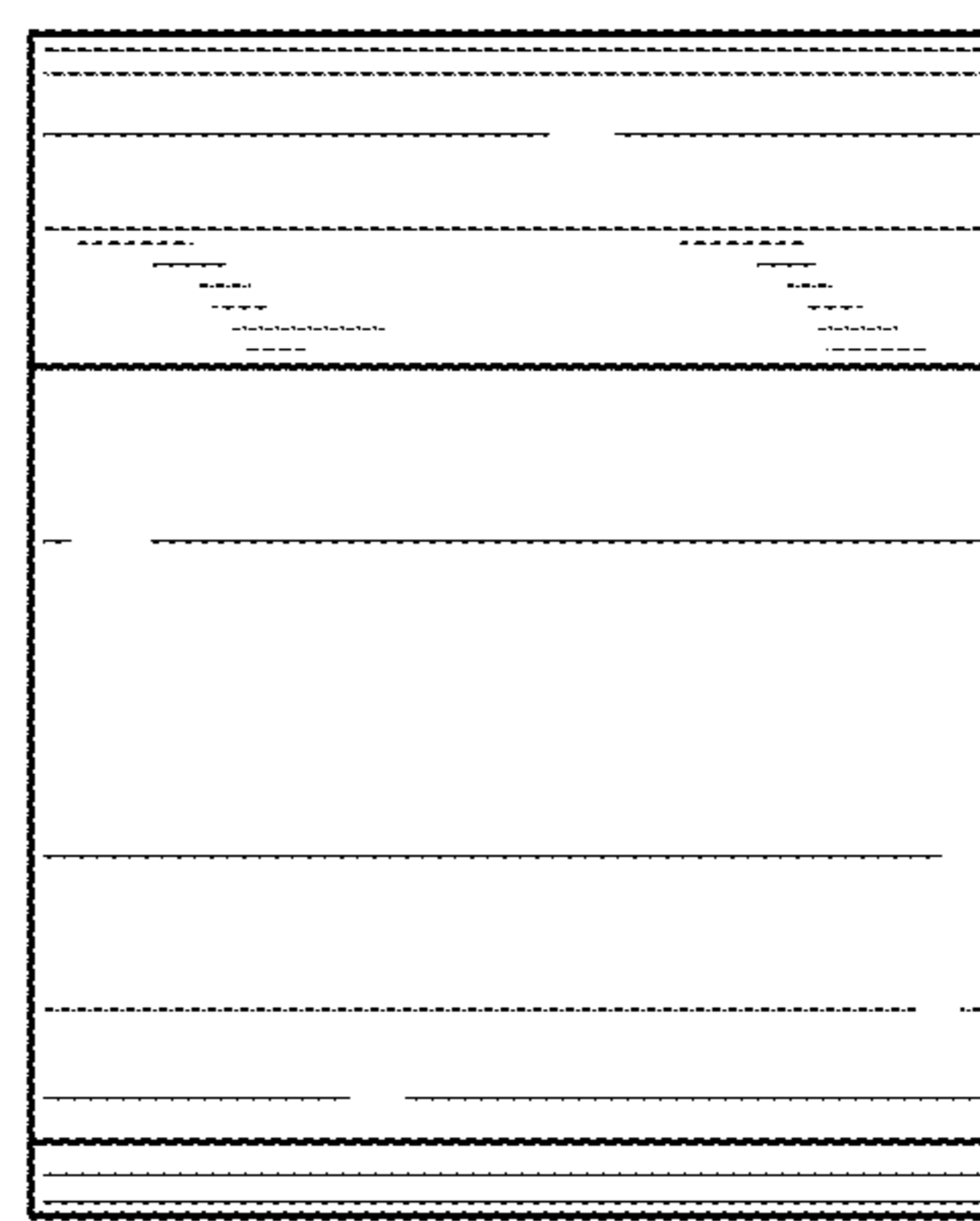


FIG. 6

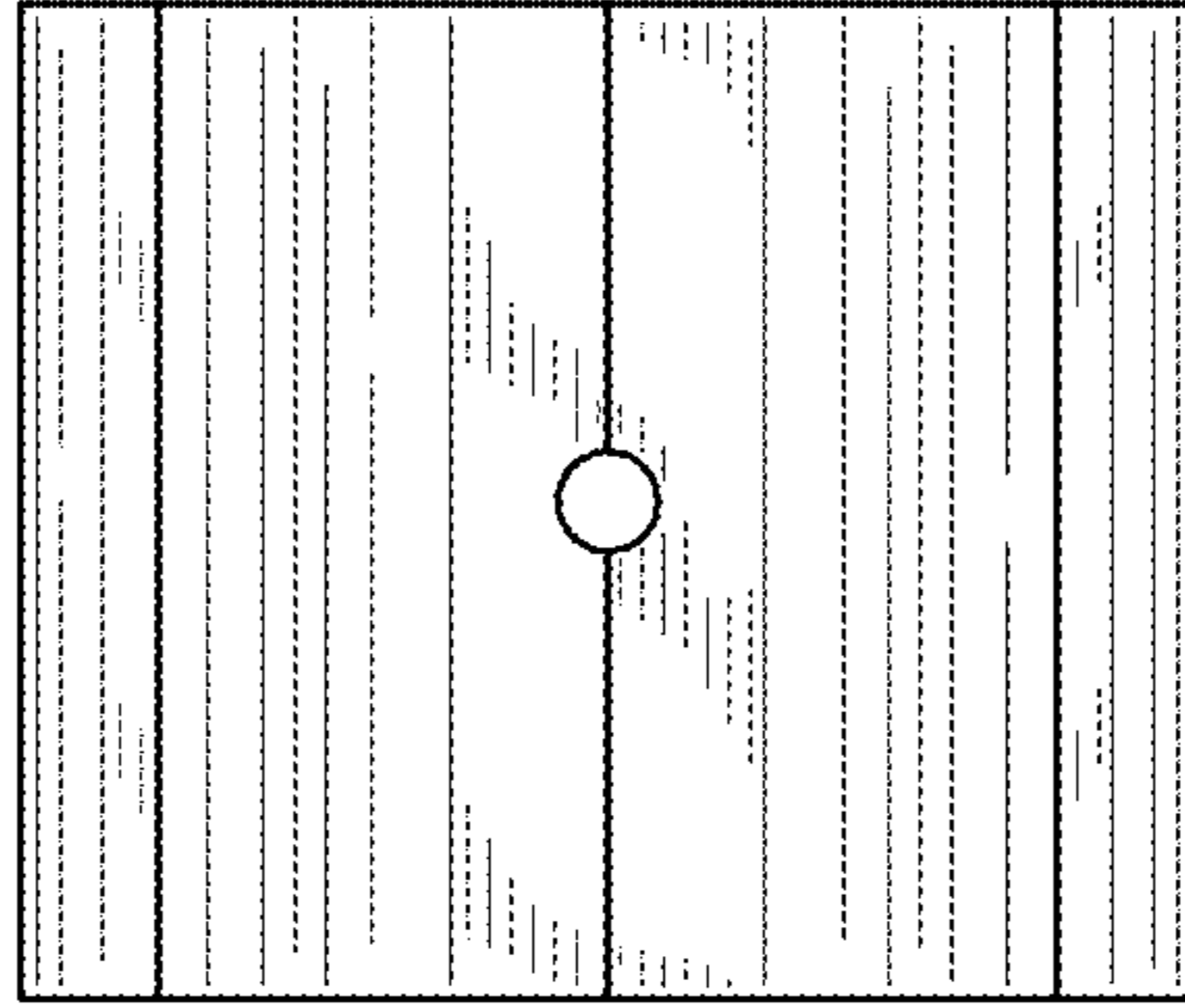


FIG. 7

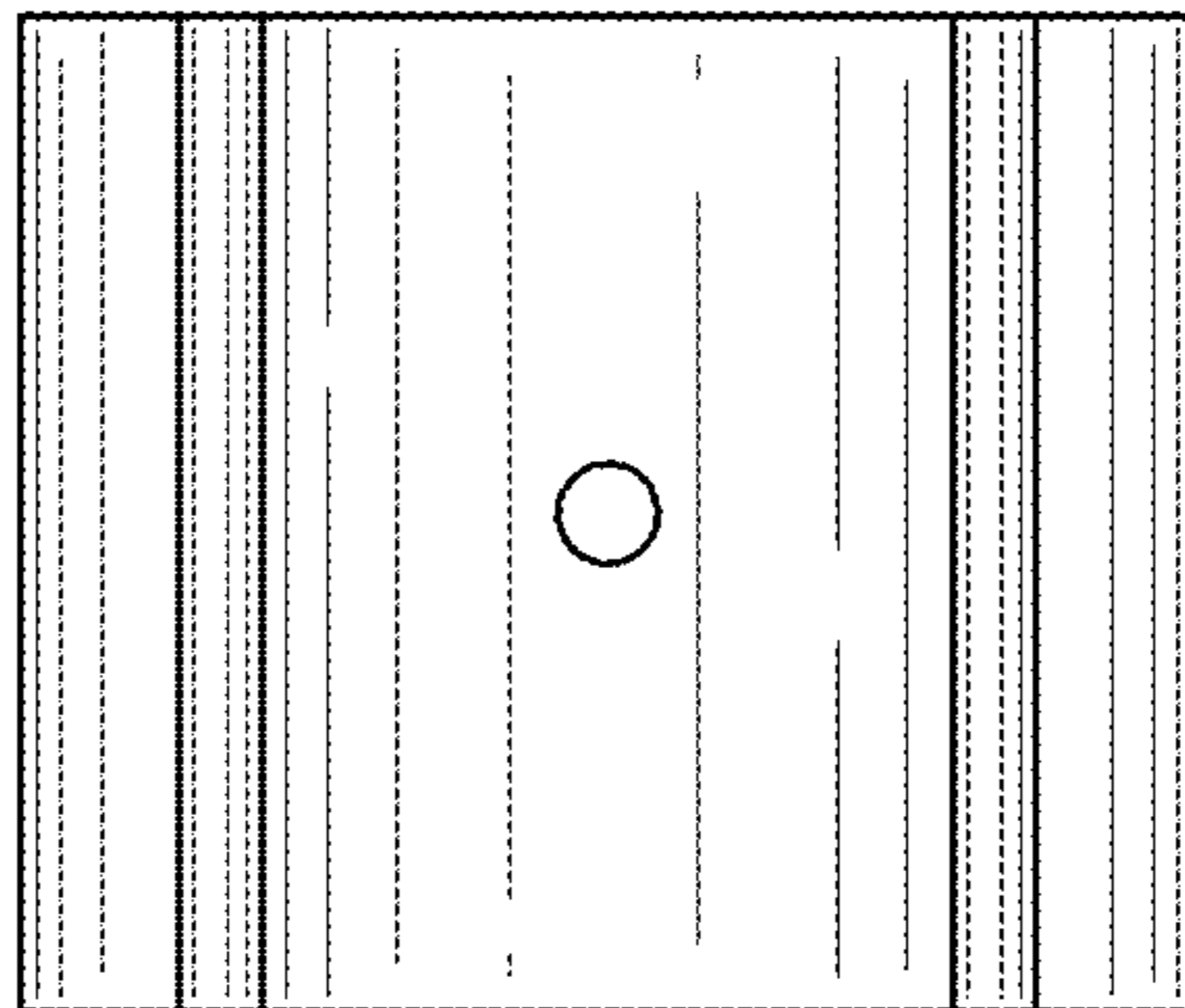


FIG. 8