



US00D793644S

(12) **United States Design Patent** (10) **Patent No.:** **US D793,644 S**
Walter et al. (45) **Date of Patent:** **** Aug. 1, 2017**

(54) **CART**

(71) Applicant: **AMSA, Inc.**, Boulder, CO (US)

(72) Inventors: **Ivor Michel Walter**, Boulder, CO (US);
Wilson Zeng, Foshan (CN)

(73) Assignee: **AMSA, Inc.**, Boulder, CO (US)

(**) Term: **15 Years**

(21) Appl. No.: **29/556,641**

(22) Filed: **Mar. 2, 2016**

(51) **LOC (10) Cl.** **12-02**

(52) **U.S. Cl.**
USPC **D34/17**

(58) **Field of Classification Search**
USPC D34/12-27; 280/47.2, 47.18, 47.27,
280/47.34, 651, 33.996, 33.991, 33.994
(Continued)

(56) **References Cited**

U.S. PATENT DOCUMENTS

2,764,419 A 9/1956 Enders
D199,670 S * 12/1964 Inglis D34/21
(Continued)

OTHER PUBLICATIONS

U.S. Appl. No. 29/481,004, filed Jan. 31, 2014, inventor Walter.
(Continued)

Primary Examiner — Cynthia Ramirez

(74) *Attorney, Agent, or Firm* — Margaret Polson; Polson
Intellectual Property Law, PC

(57) **CLAIM**

The ornamental design for a cart, as shown and described.

DESCRIPTION

FIG. 1 is a front isometric view of my new design for a cart
with the cover trays in place.

FIG. 2 is a side elevation view of the right and left sides,
which are mirror images, of FIG. 1.

FIG. 3 is a front side elevation view of FIG. 1.

FIG. 4 is a back side elevation view of FIG. 1.

FIG. 5 is a top plan view of FIG. 1.

FIG. 6 is a bottom plan view of FIG. 1.

FIG. 7 is a side elevation view of the right and left sides,
which are mirror images, of the embodiment of FIG. 1 with
the only difference being the top shelf is in an upright
position, it being understood that all other surfaces are the
same as the other views of this embodiment.

FIG. 8 is a side elevation view of the right and left sides,
which are mirror images, of the embodiment of FIG. 1 with
the only difference being the middle shelf is in an upright
position, it being understood that all other surfaces are the
same as the other views of this embodiment.

FIG. 9 is a side elevation view of the right and left sides,
which are mirror images, of the embodiment of FIG. 1 with
the only difference being the top and the middle shelf are in
an upright position, it being understood that all other sur-
faces are the same as the other views of this embodiment.

FIG. 10 is a side elevation view of the right and left sides,
which are mirror images, of the embodiment of FIG. 1 with
the only difference being shelves are in the nesting position,
it being understood that all other surfaces are the same as the
other views of this embodiment.

FIG. 11 is a front isometric view of the embodiment of FIG.
1 with the only difference being cover trays are exploded up,
it being understood that all other surfaces are the same as the
other views of this embodiment.

FIG. 12 is a front isometric view of the embodiment of FIG.
1 with the only difference being cover trays are removed, it
being understood that all other surfaces are the same as the
other views of this embodiment.

FIG. 13 is a side elevation view of the right and left sides,
which are mirror images, of FIG. 12.

FIG. 14 is a front side elevation view of FIG. 12.

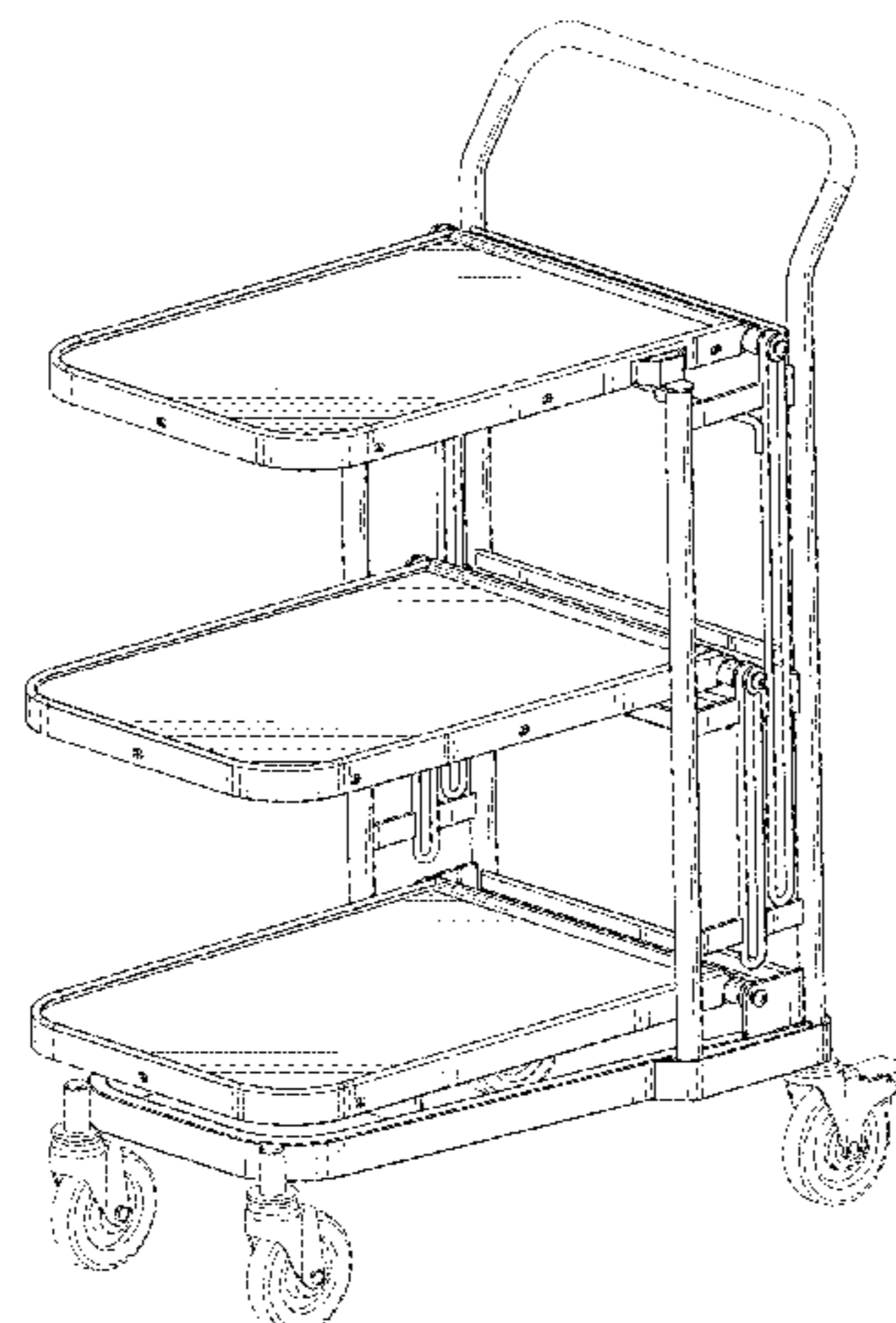
FIG. 15 is a back side elevation view of FIG. 12.

FIG. 16 is a top plan view of FIG. 12.

FIG. 17 is a bottom plan view of FIG. 12.

FIG. 18 is a side elevation view of the right and left sides,
which are mirror images, of the embodiment of FIG. 12 with
the only difference being the top shelf is in an upright

(Continued)



position, it being understood that all other surfaces are the same as the other views of this embodiment.

FIG. 19 is a side elevation view of the right and left sides, which are mirror images, of the embodiment of FIG. 12 with the only difference being the middle shelf is in an upright position, it being understood that all other surfaces are the same as the other views of this embodiment; and,

FIG. 20 is a side elevation view of the right and left sides, which are mirror images, of the embodiment of FIG. 12 with the only difference being the top and the middle shelf are in an upright position, it being understood that all other surfaces are the same as the other views of this embodiment.

The broken lines shown in the figures are included for the purpose of illustrating portions of the cart and form no part of the claimed design.

1 Claim, 18 Drawing Sheets

(58) **Field of Classification Search**

CPC .. B62B 3/02; B62B 3/002; B62B 3/00; B62B 3/14; B62B 3/001; B62B 3/022; B62B 3/027; B62B 3/12; B62B 3/005; B62B 3/1404

See application file for complete search history.

(56) **References Cited**

U.S. PATENT DOCUMENTS

3,429,403	A	2/1969	Dreschler et al.	
D221,748	S *	9/1971	Bloomfield et al.	D34/21
D226,809	S *	5/1973	Cummings et al.	D34/21
D238,663	S	2/1976	Schifman	
D240,297	S	6/1976	Trubiano	
D280,858	S	10/1985	Muellner et al.	
D297,677	S *	9/1988	Conn	D34/17
4,826,186	A	5/1989	Hagelin	
4,850,604	A *	7/1989	Le Marchand	B62B 3/182 211/149
D340,334	S *	10/1993	Kean	D34/17
D386,873	S	11/1997	Langlois d'Estaintot et al.	
D399,625	S	10/1998	Murphy et al.	

6,739,605	B2	5/2004	Calmeise et al.	
D542,997	S	5/2007	Coderre	
D548,421	S	8/2007	Walter	
D576,372	S	9/2008	Walter	
D577,172	S *	9/2008	Coderre	D34/12
D580,617	S	11/2008	Walter	
D607,173	S	12/2009	Selvig et al.	
D615,723	S	5/2010	Walter	
2003/0205873	A1 *	11/2003	Orozco	B60B 33/0002 280/33.991
2009/0309322	A1	12/2009	Selvig et al.	

OTHER PUBLICATIONS

U.S. Appl. No. 29/517,942, filed Feb. 18, 2015, inventor Walter.
http://www.premiercarts.com/warehouse_carts.htm Material Handling Warehouse Carts.
 MarkeTools Stock Trucks [<http://www.marketools.net/stocktrucks.html>].
 MarkeTools Shopping carts [<http://www.marketools.net/shoppingcarts.html>].
 Applicant AMSA, Inc. DBA VersaCart Systems Retail & Distribution Catalog 2008. 50 pages.
 Applicant AMSA, Inc. DBA VersaCart Systems Brochure for ACE Spring Convention 2013. 4 pages.
 Applicant AMSA, Inc. DBA VersaCart Systems Brochure for ACE Spring Convention 2014. 4 pages.
 Applicant AMSA, Inc. DBA VersaCart Systems Brochure for ACE Spring Convention 2015. 4 pages.
 Applicant AMSA, Inc. DBA VersaCart Systems Brochure for ACE Spring Convention 2016. 4 pages.
 Applicant AMSA, Inc. DBA VersaCart Systems Brochure for ACE Spring Market 2012. 2 pages.
 Applicant AMSA, Inc. DBA VersaCart Systems Brochure for Orgill Spring Dealer Market 2015. 6 pages.
 Applicant AMSA, Inc. DBA VersaCart Systems Brochure for Orgill Fall Dealer Market 2015. 6 pages.
 Applicant AMSA, Inc. DBA VersaCart Systems Brochure for Orgill Fall Market 2012. 4 pages.
 Applicant AMSA, Inc. DBA VersaCart Systems Brochure for Orgill Spring Dealer Market 2014. 6 pages.
 Applicant AMSA, Inc. DBA VersaCart Systems Brochure for Orgill Fall Dealer Market 2014. 6 pages.

* cited by examiner

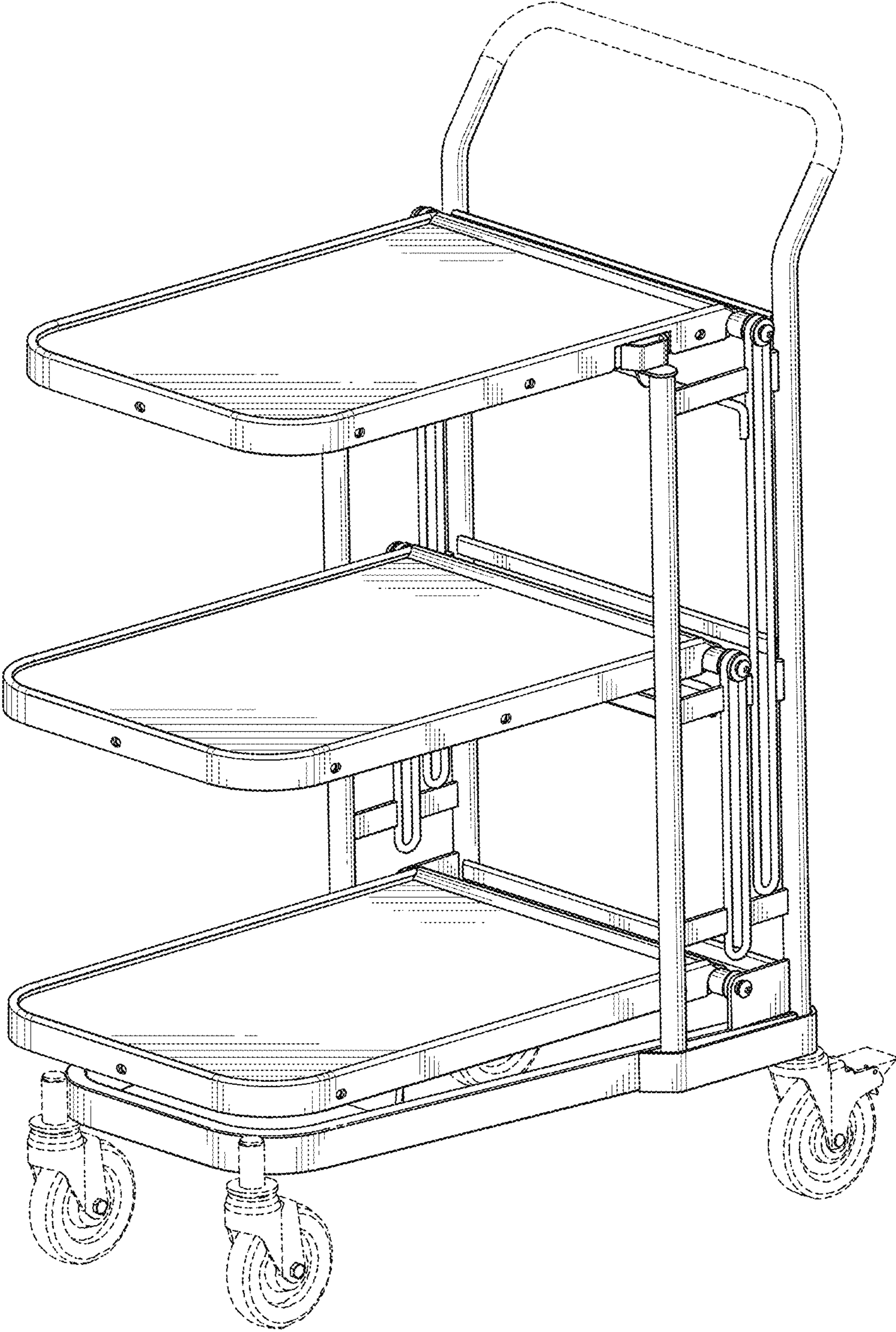


FIG.1

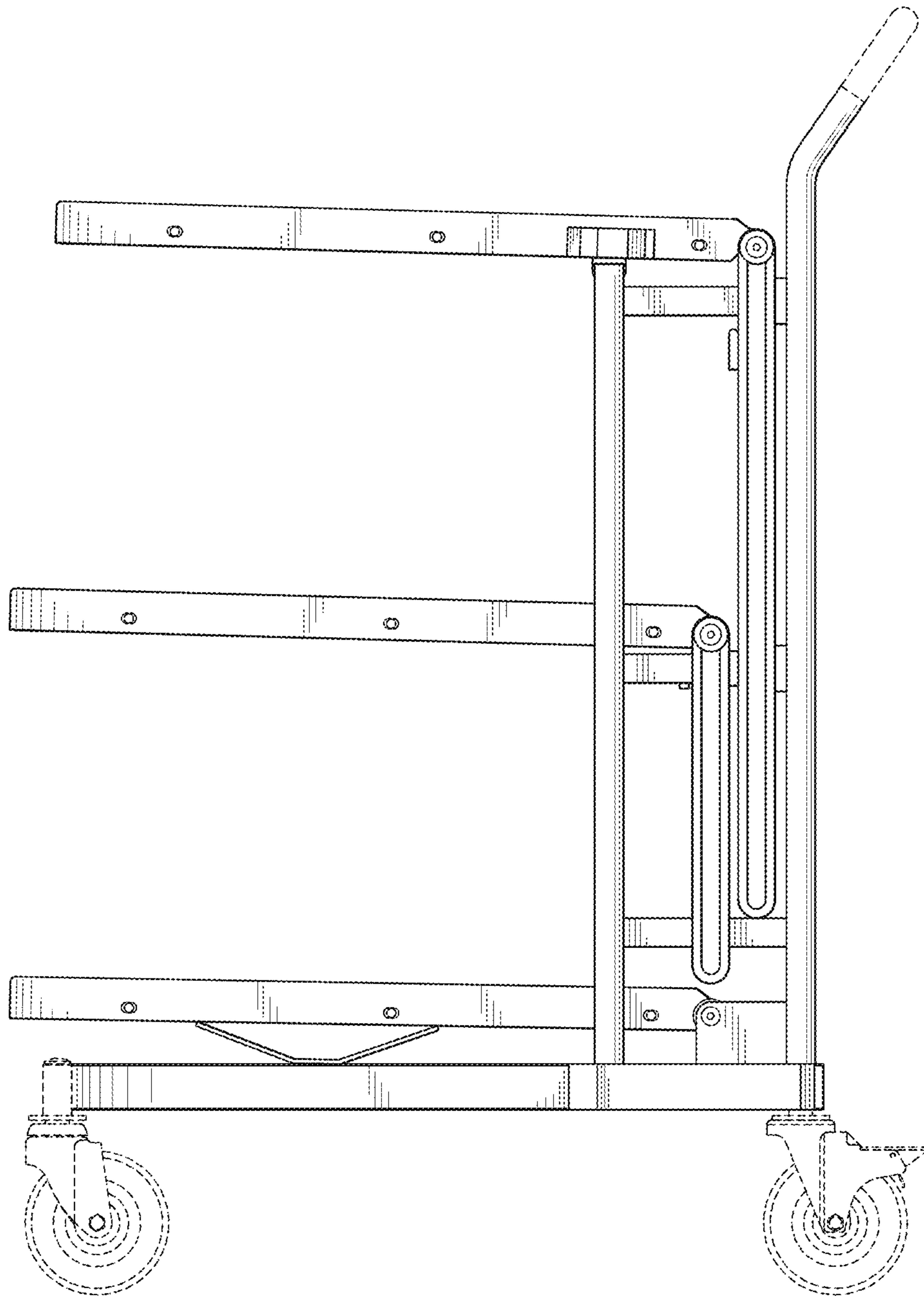


FIG.2

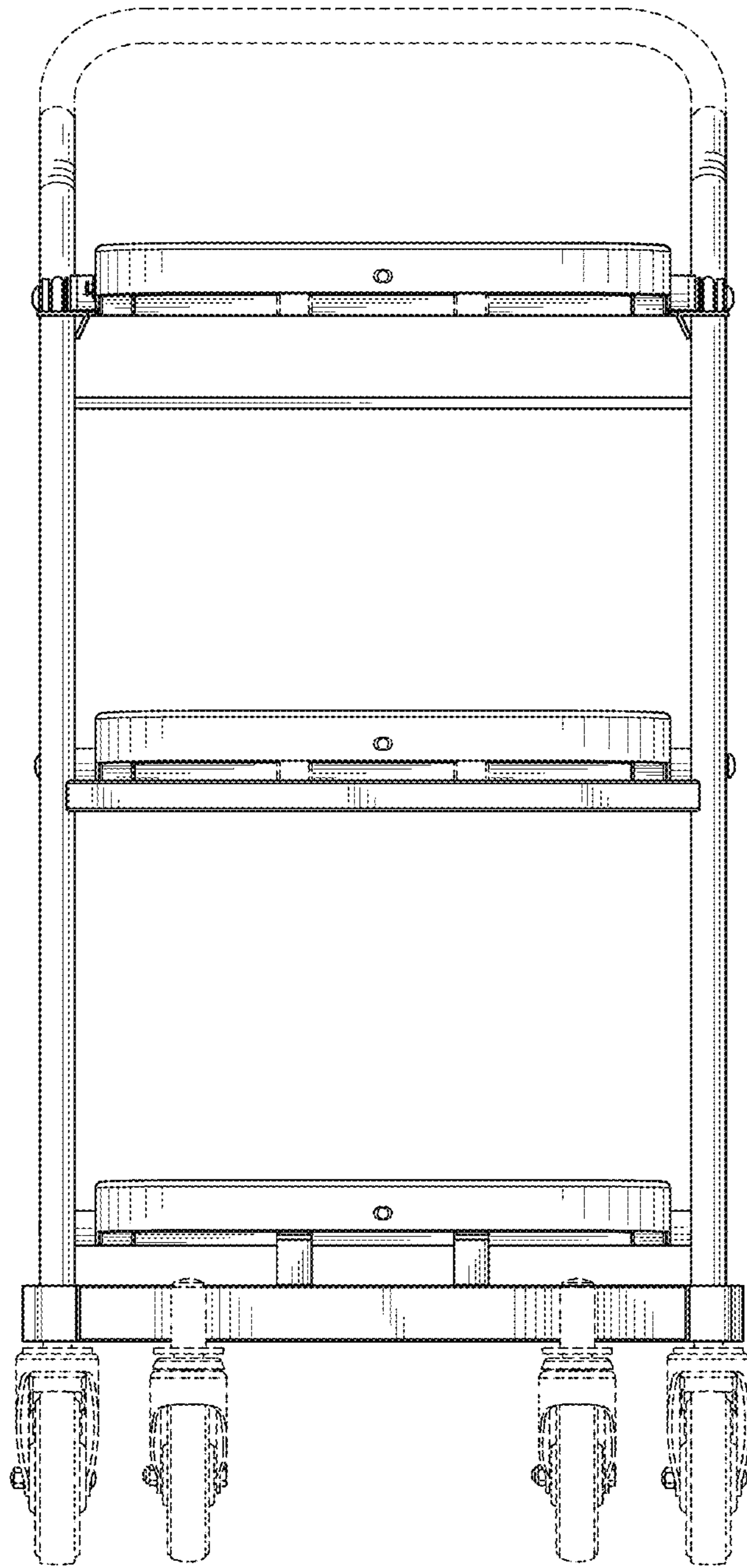


FIG.3

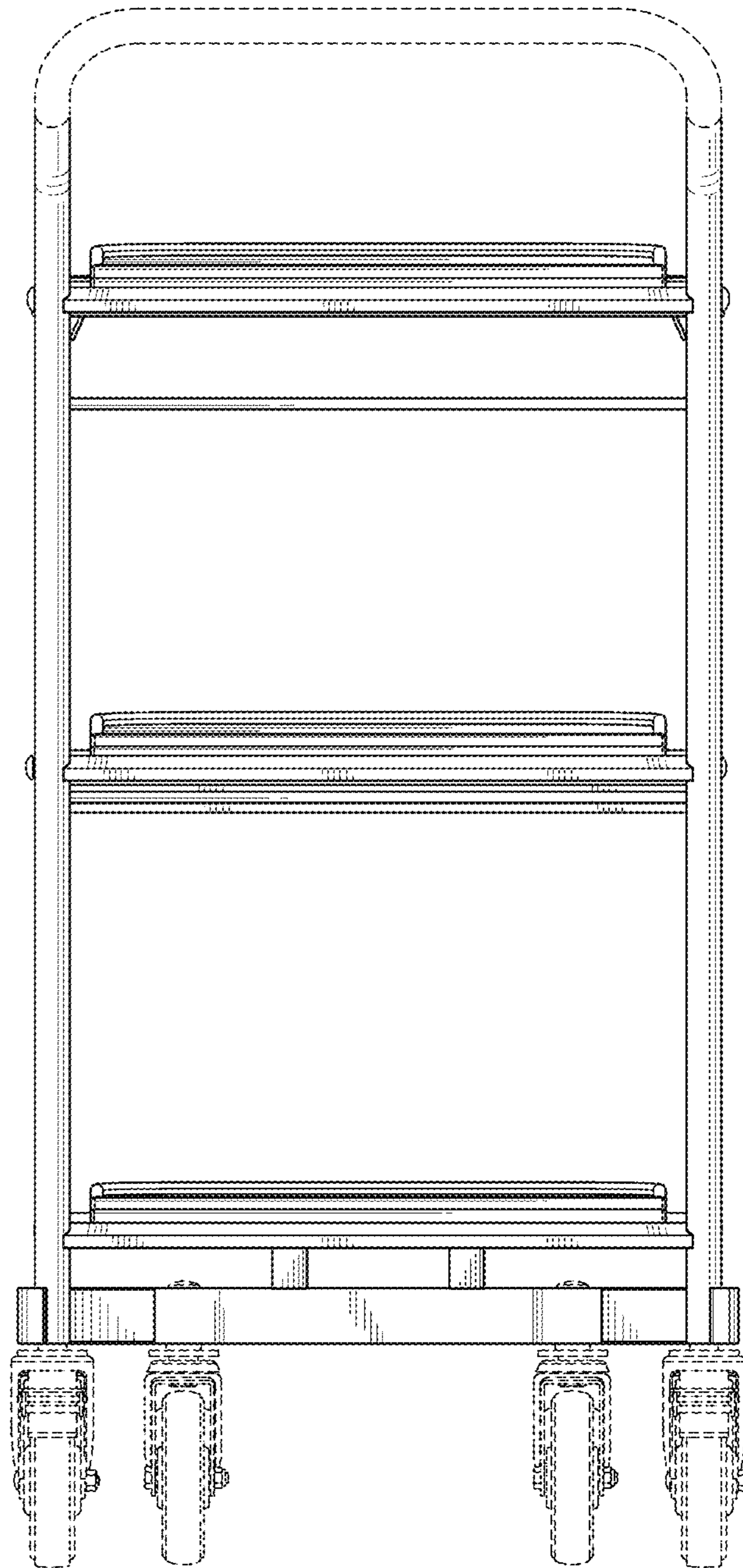


FIG.4

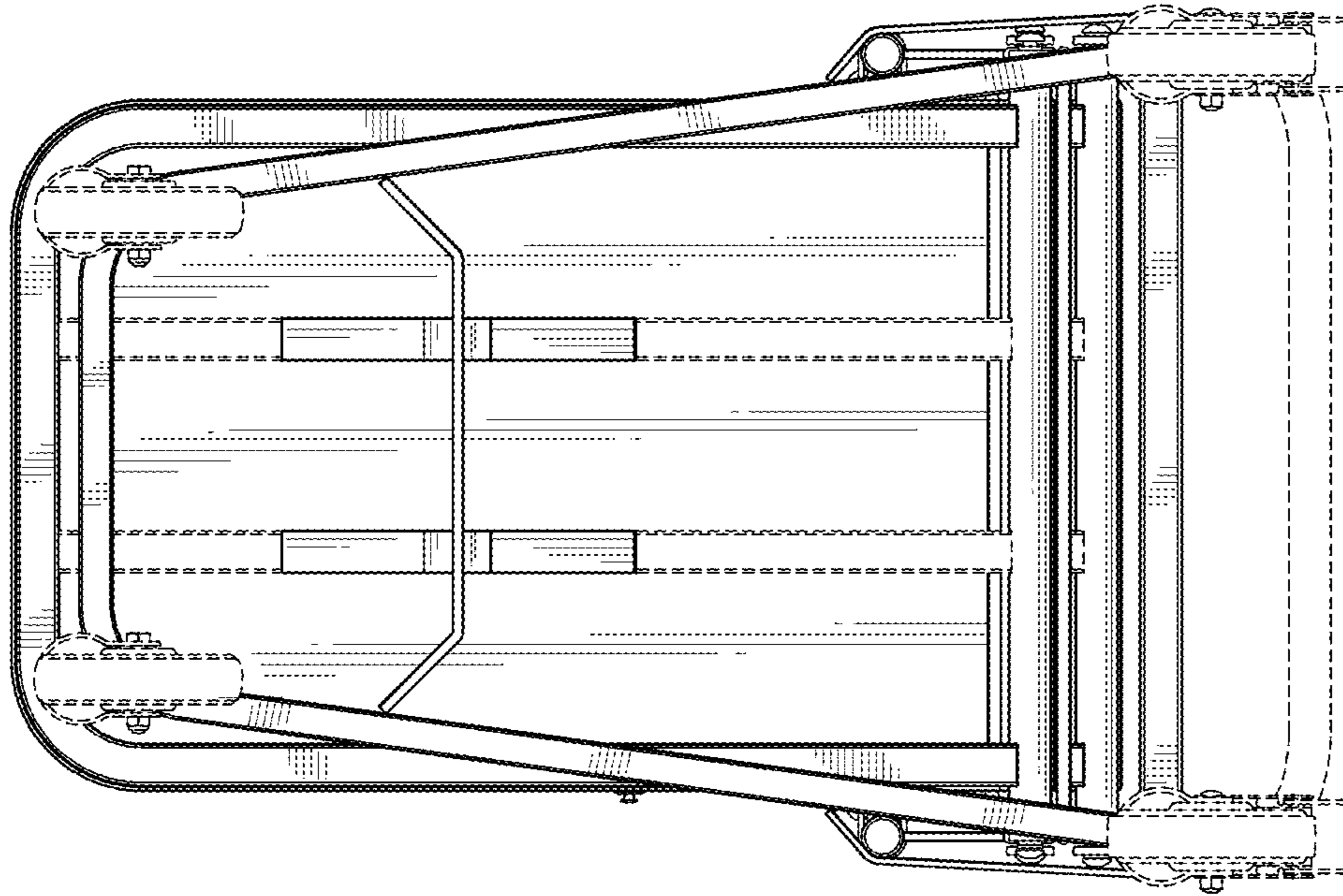


FIG.6

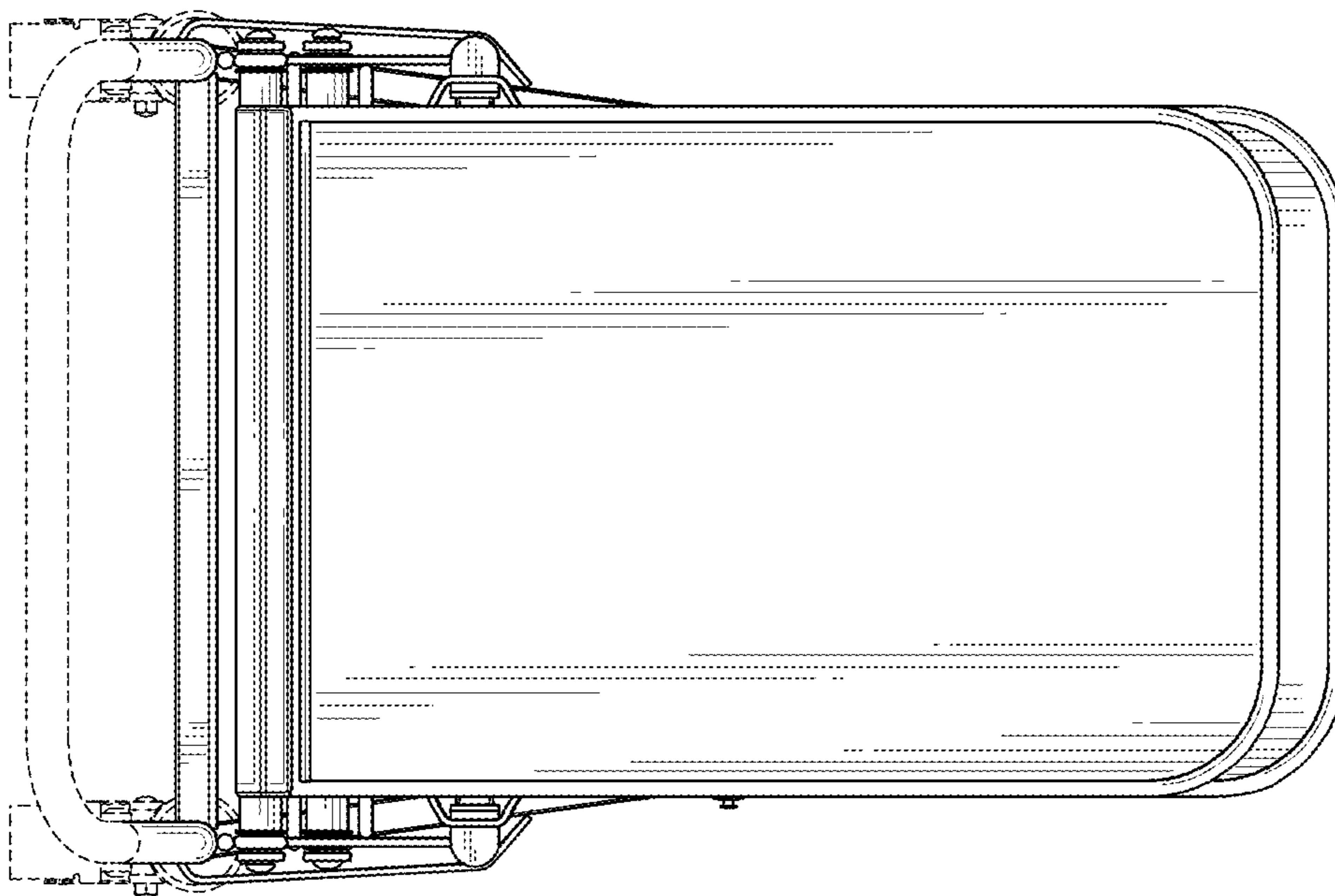


FIG.5

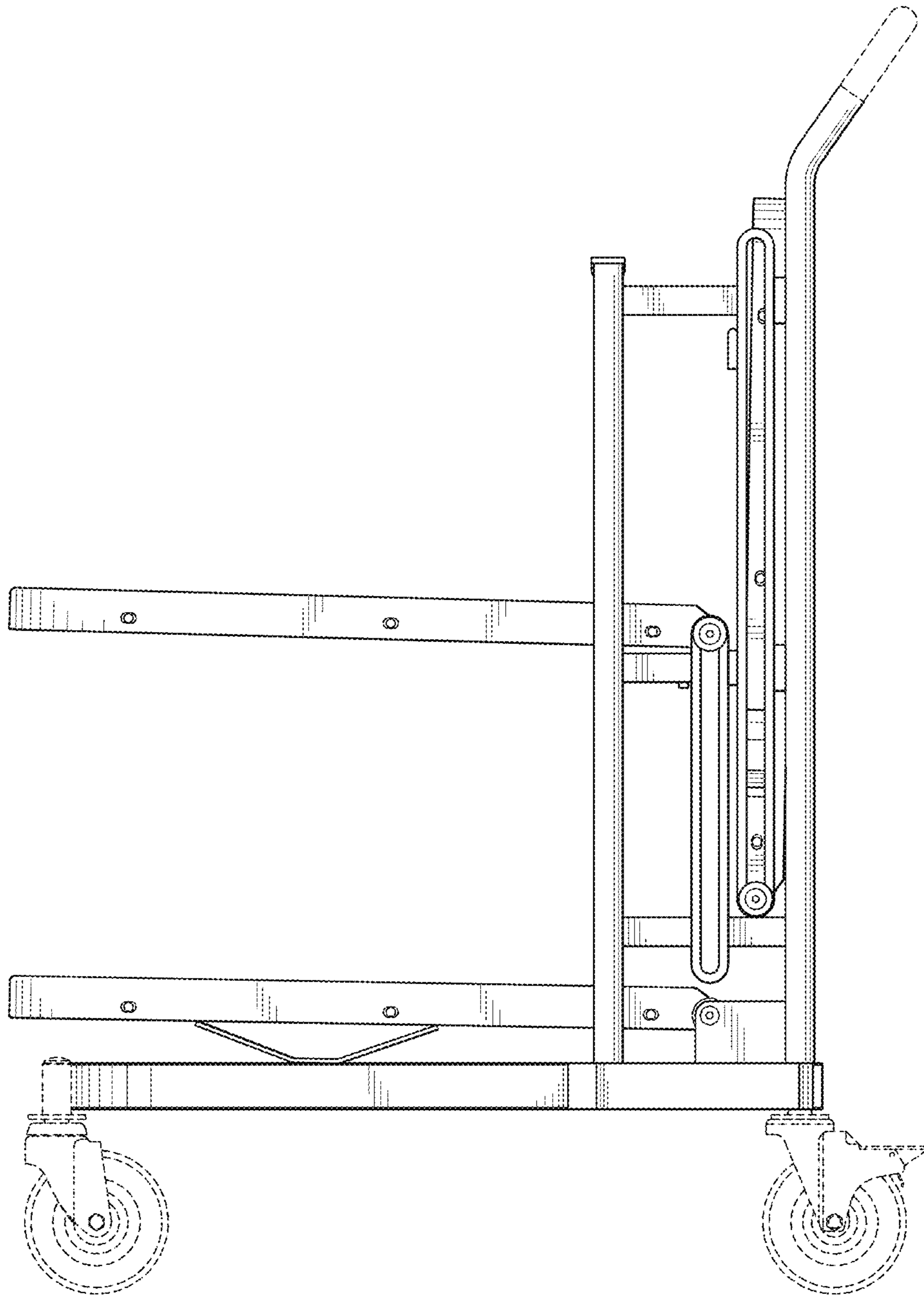


FIG.7

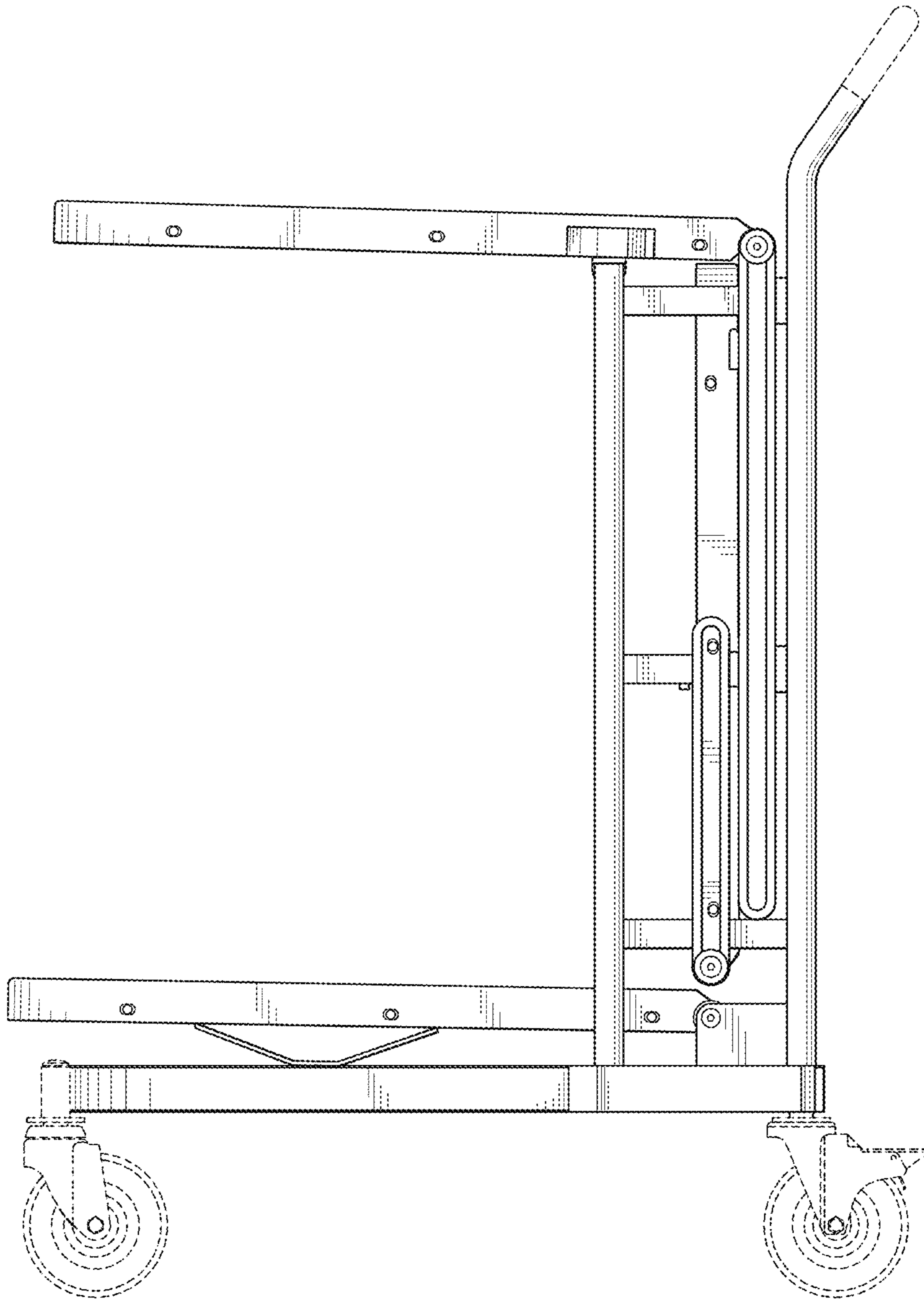


FIG.8

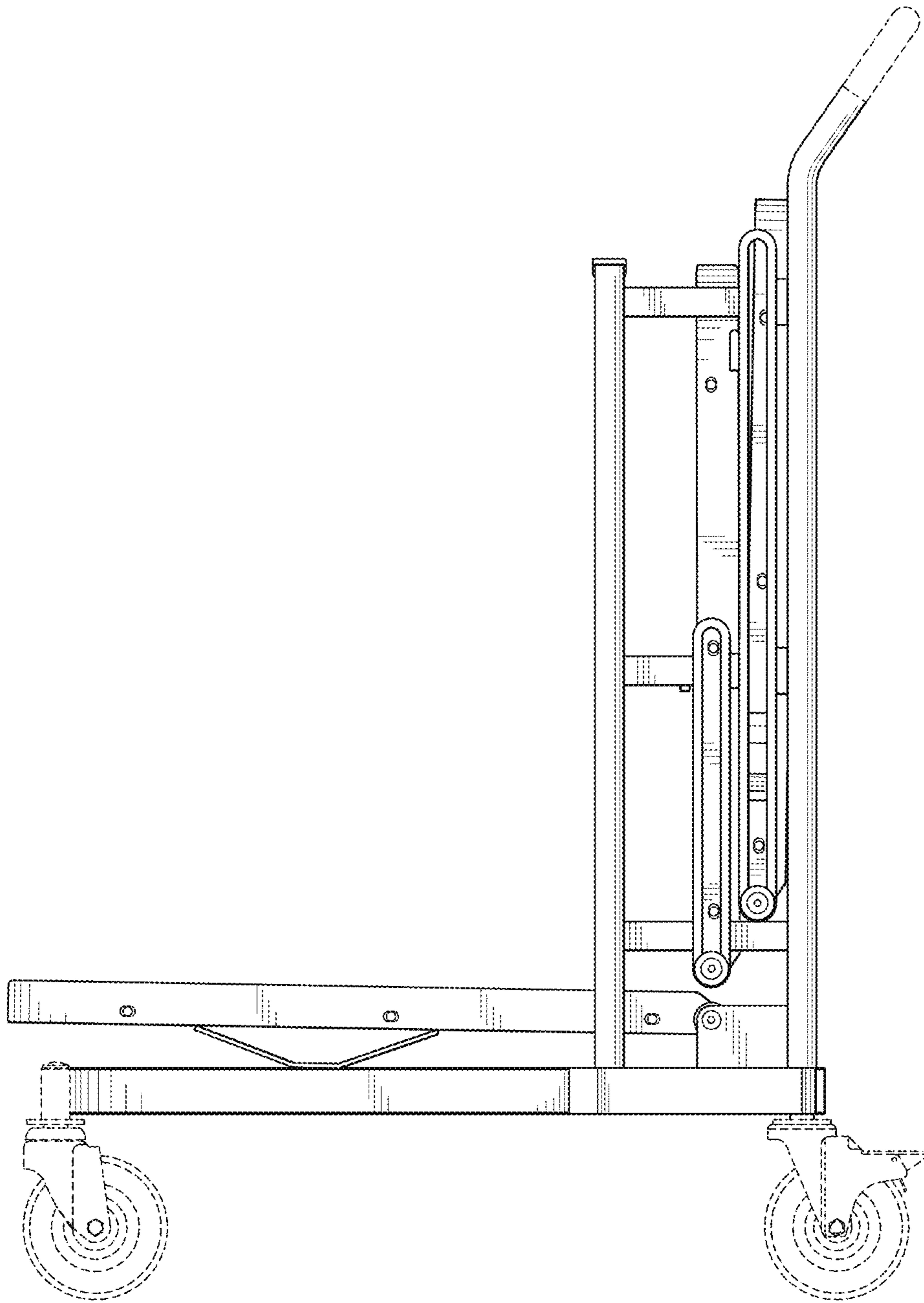


FIG.9

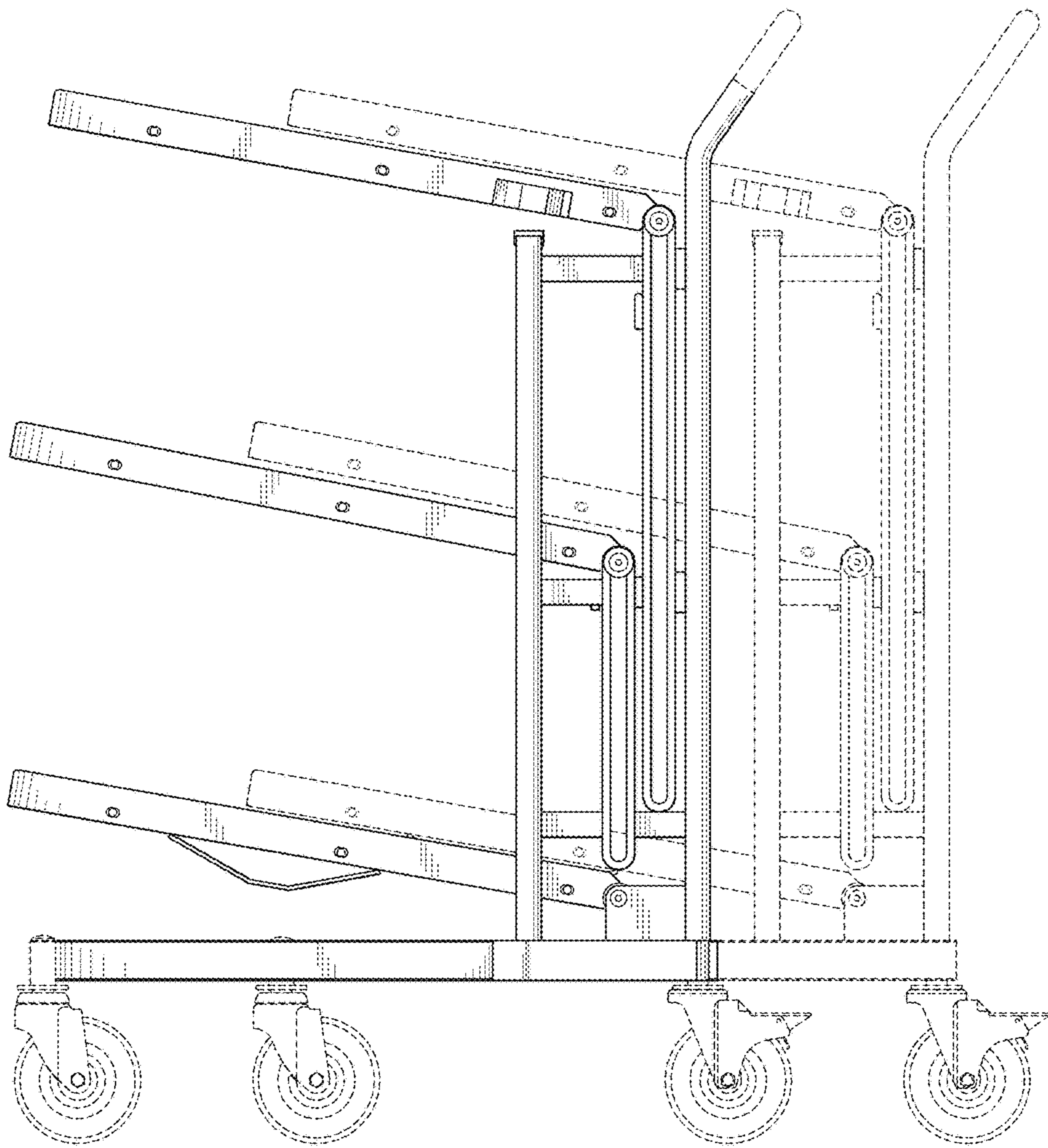


FIG.10

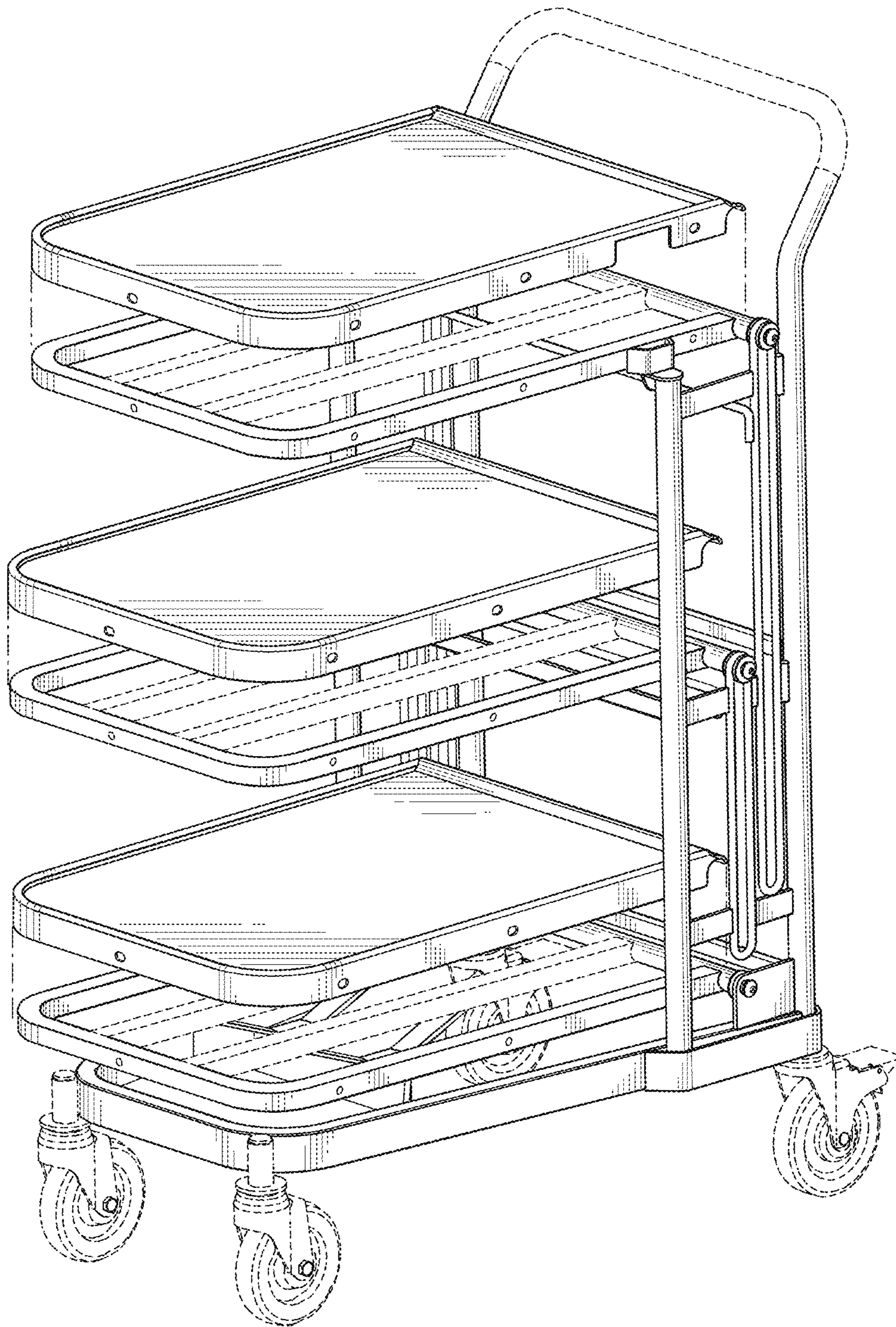


FIG.11

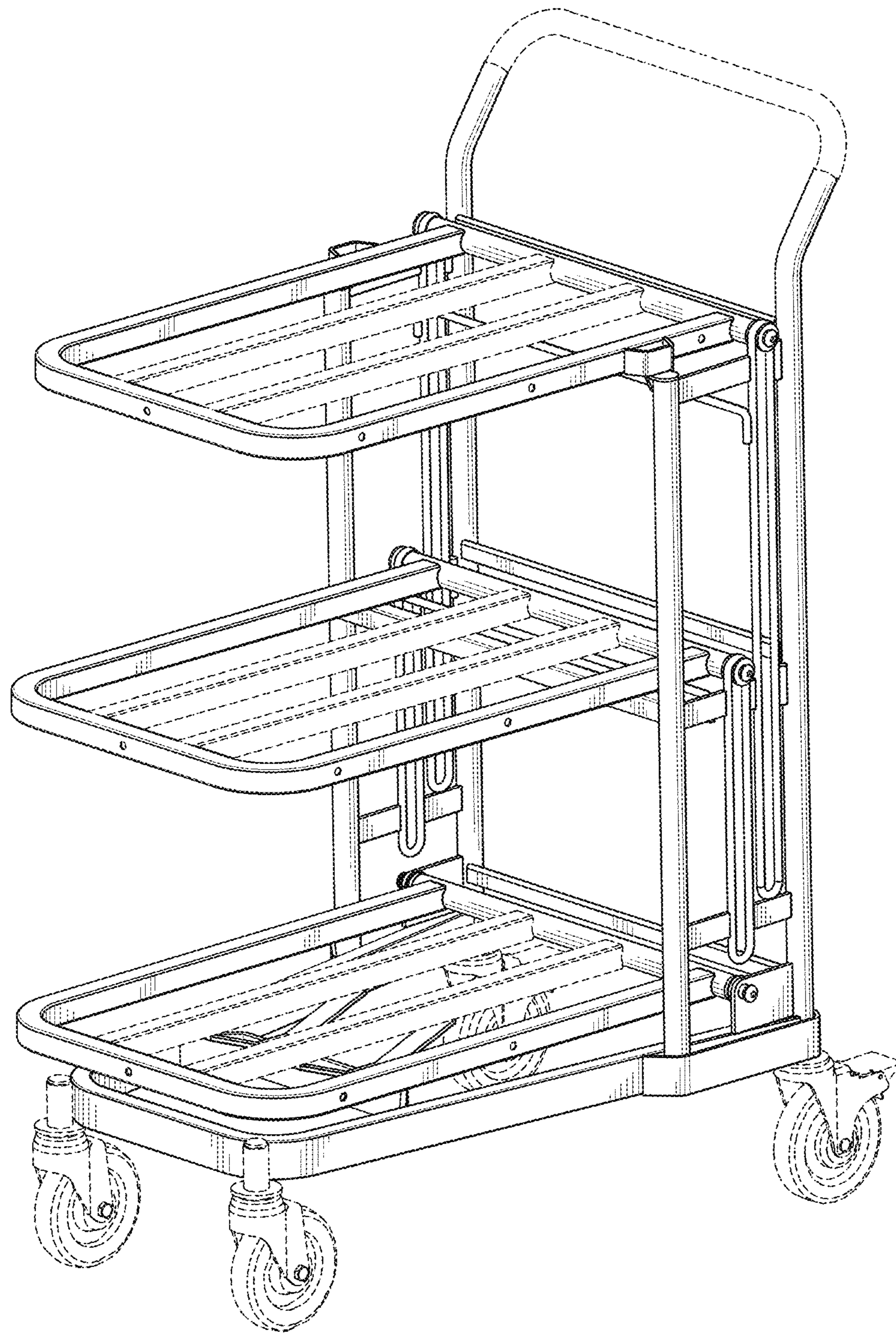


FIG.12

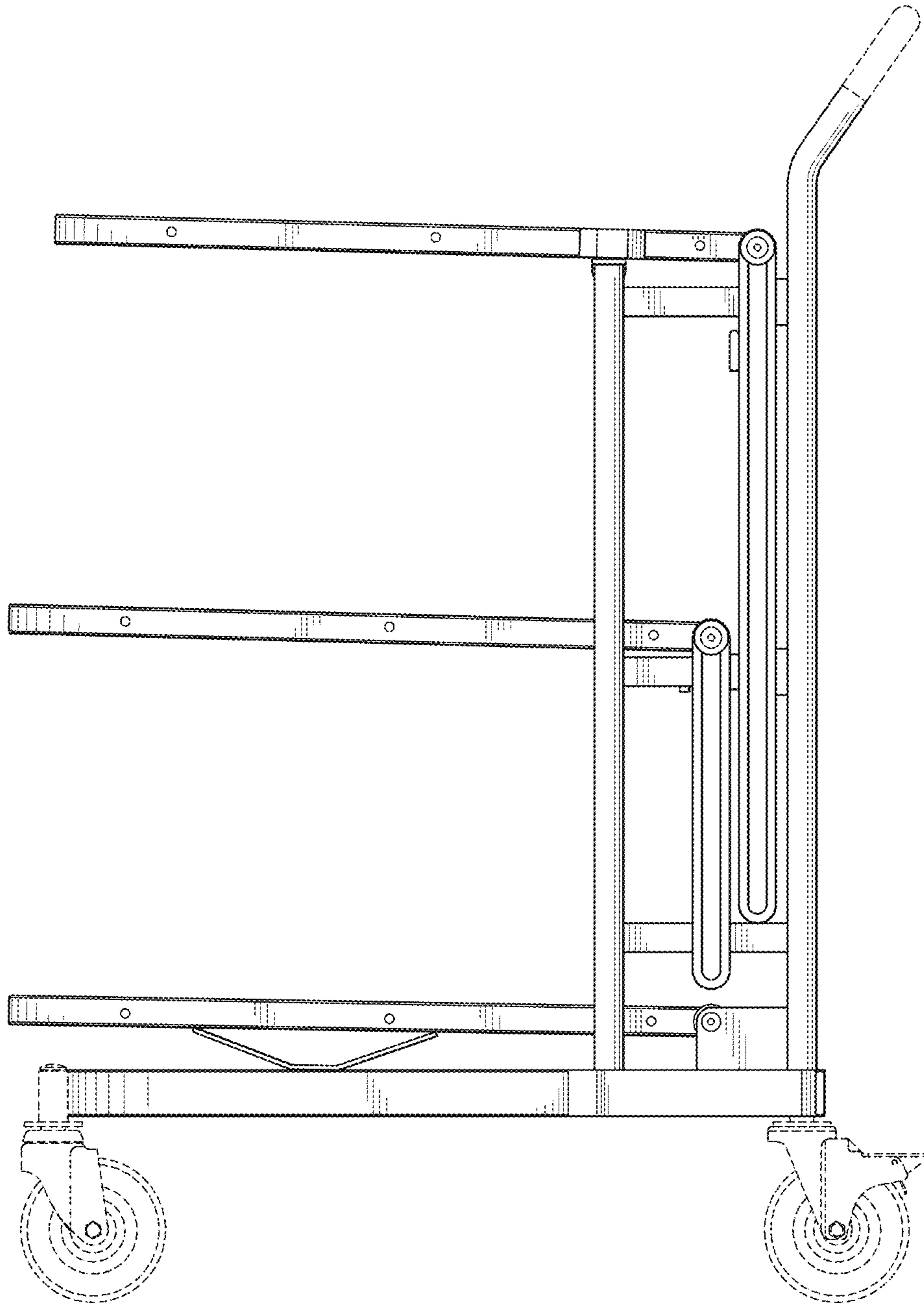


FIG.13

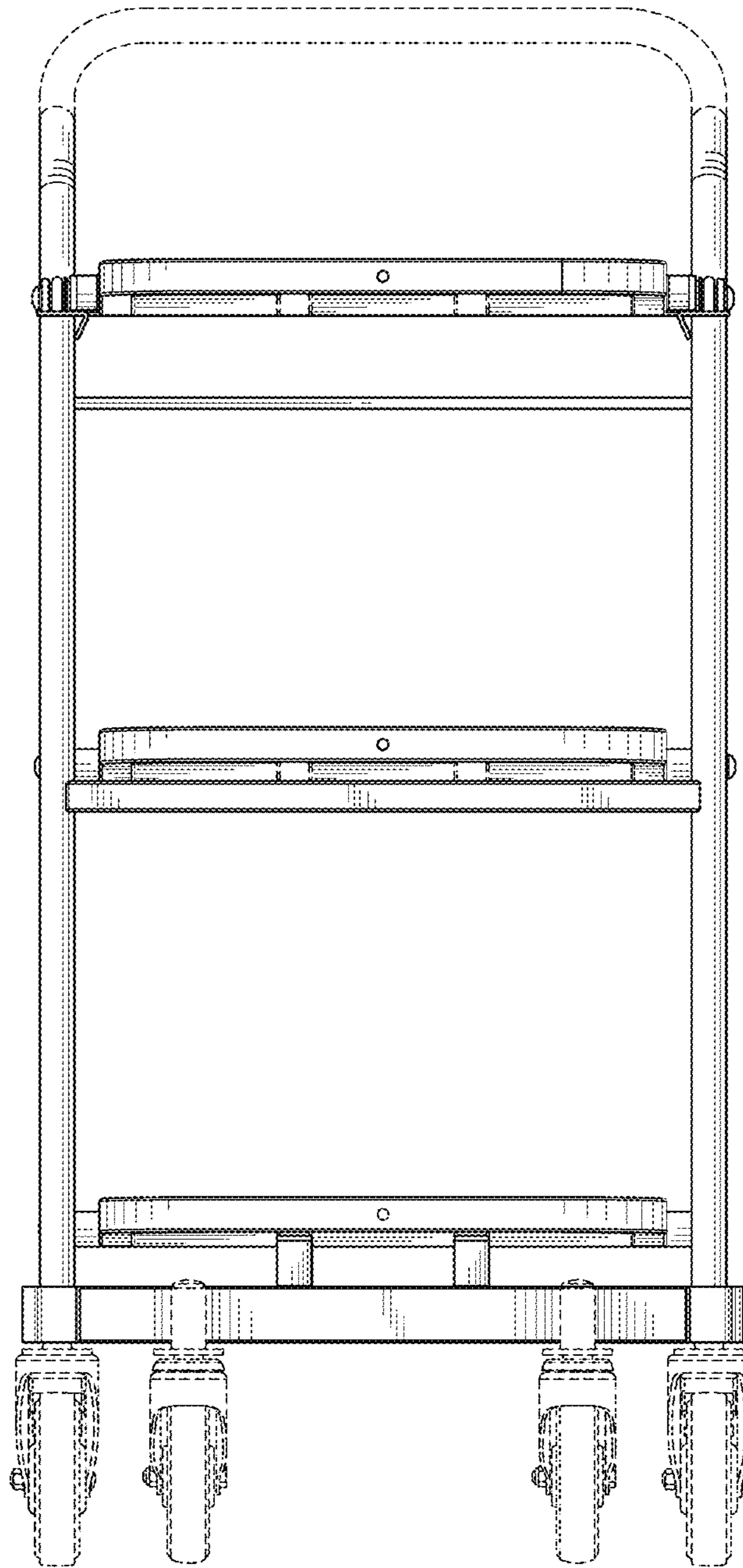


FIG.14

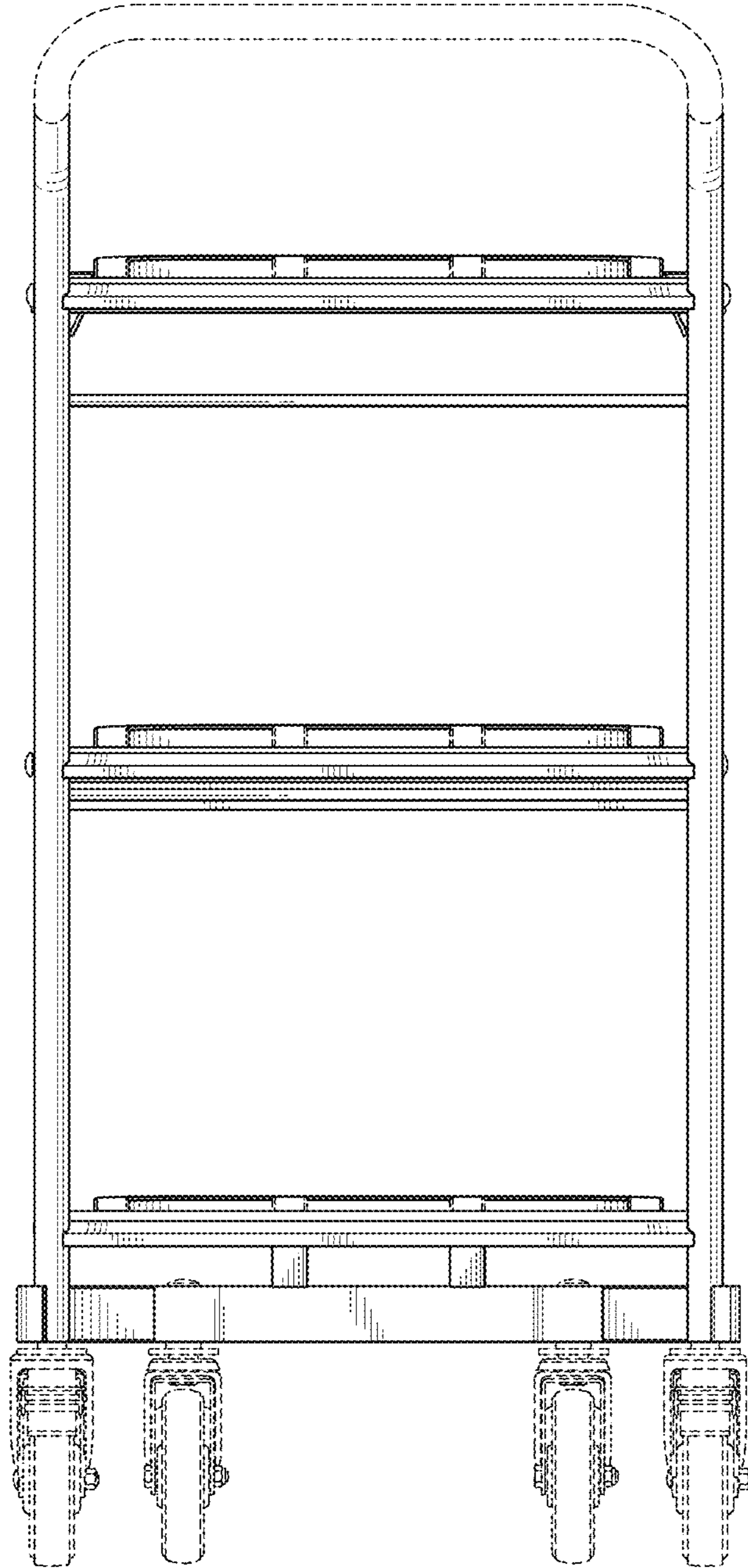


FIG.15

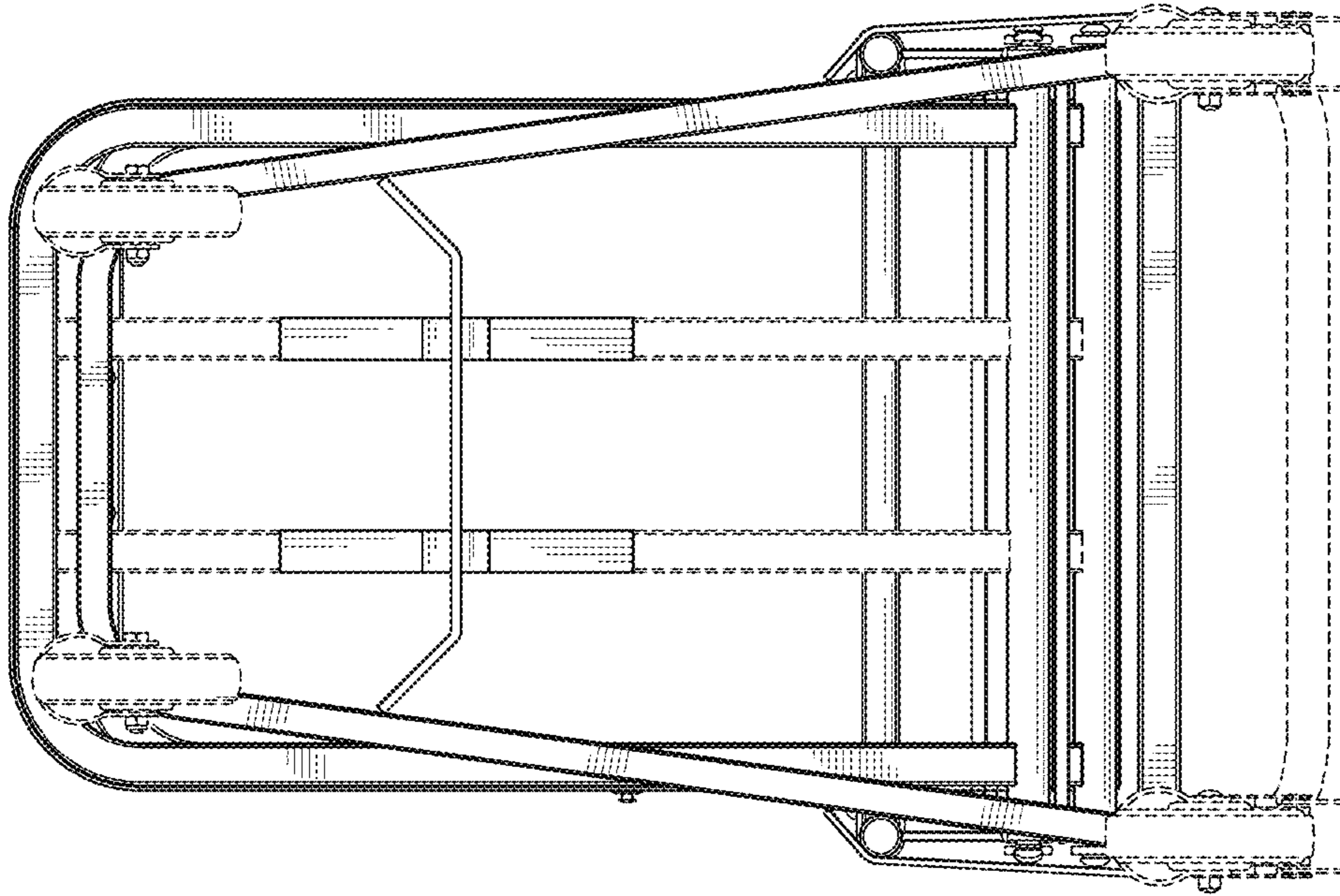


FIG.17

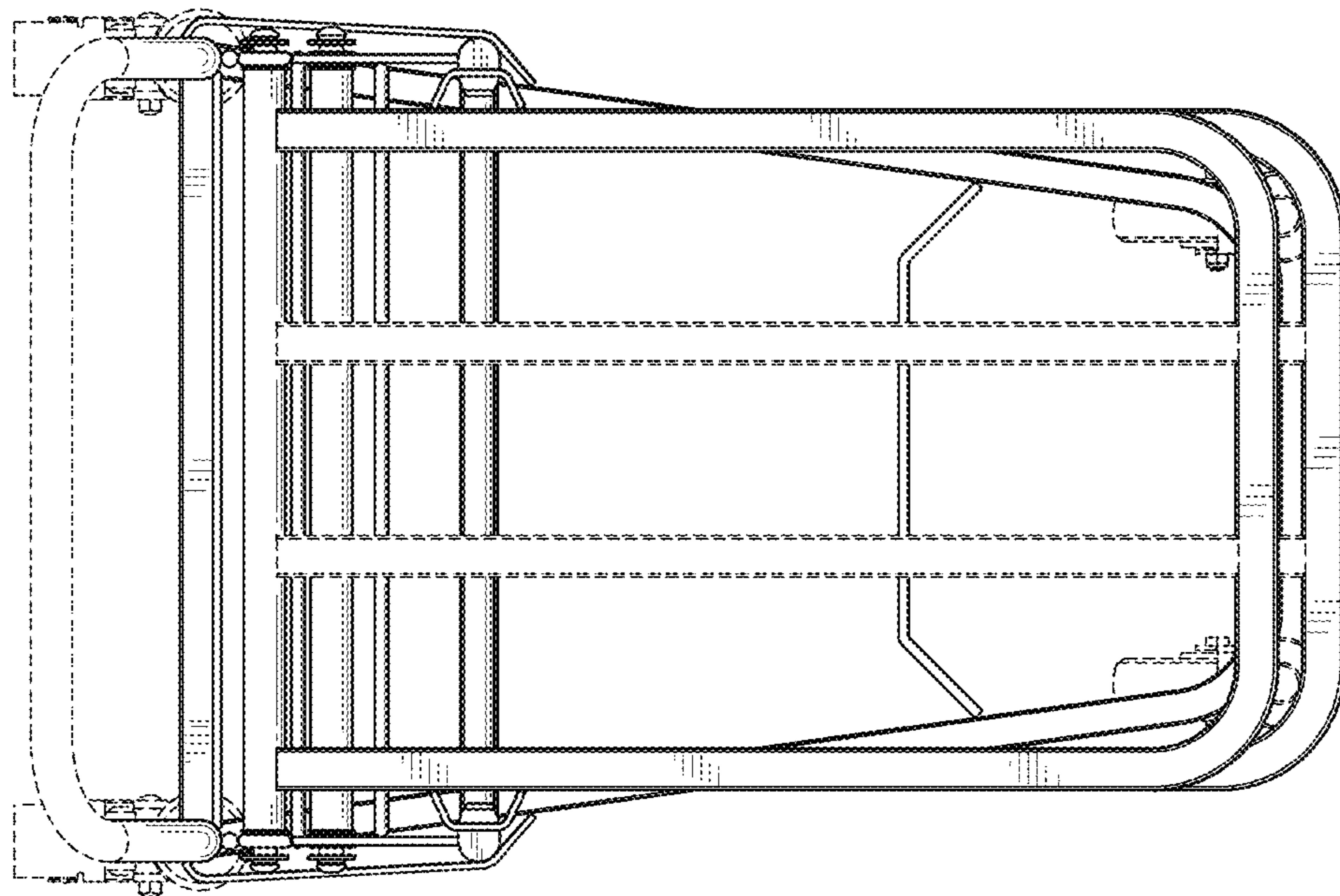


FIG.16

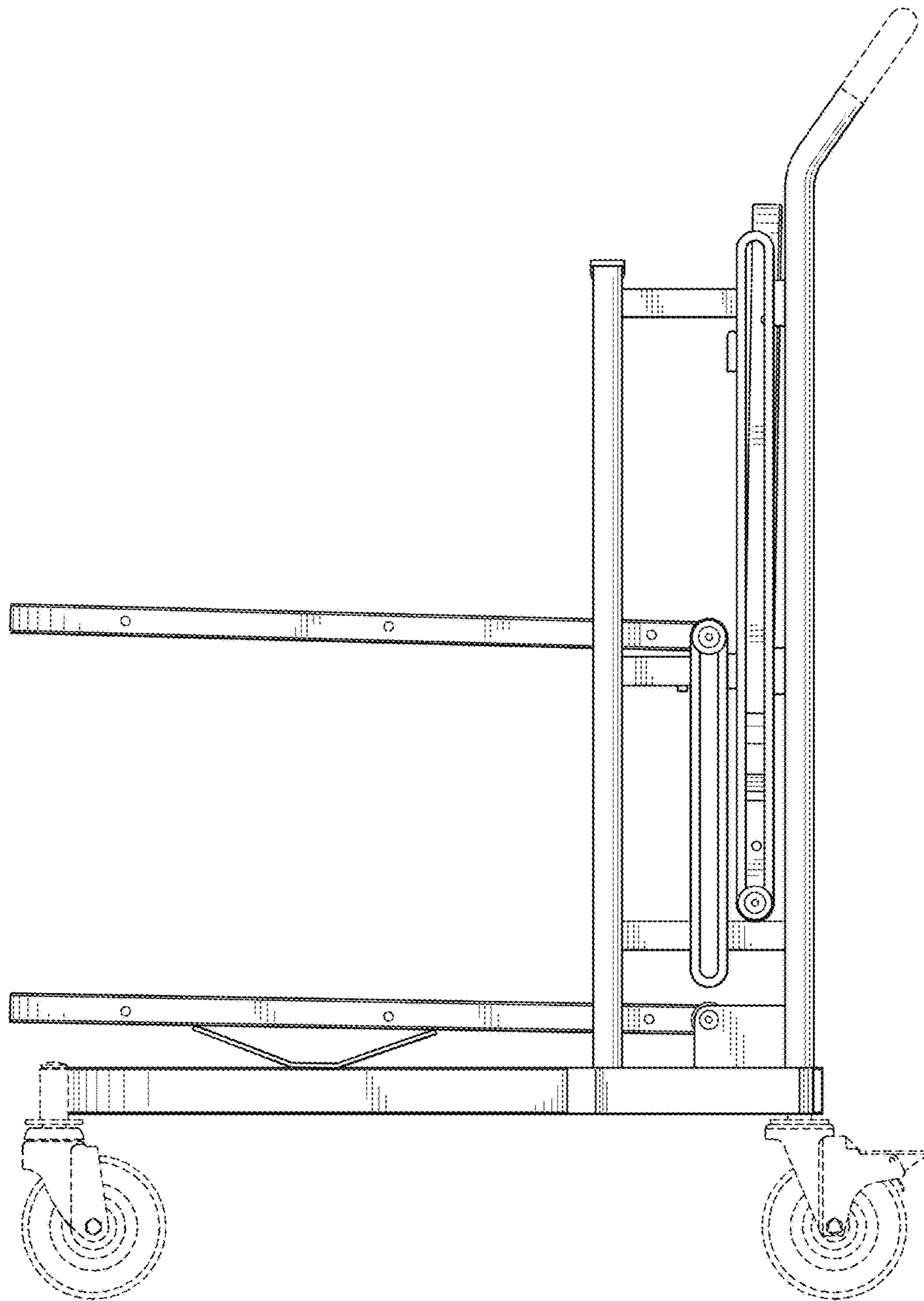


FIG.18

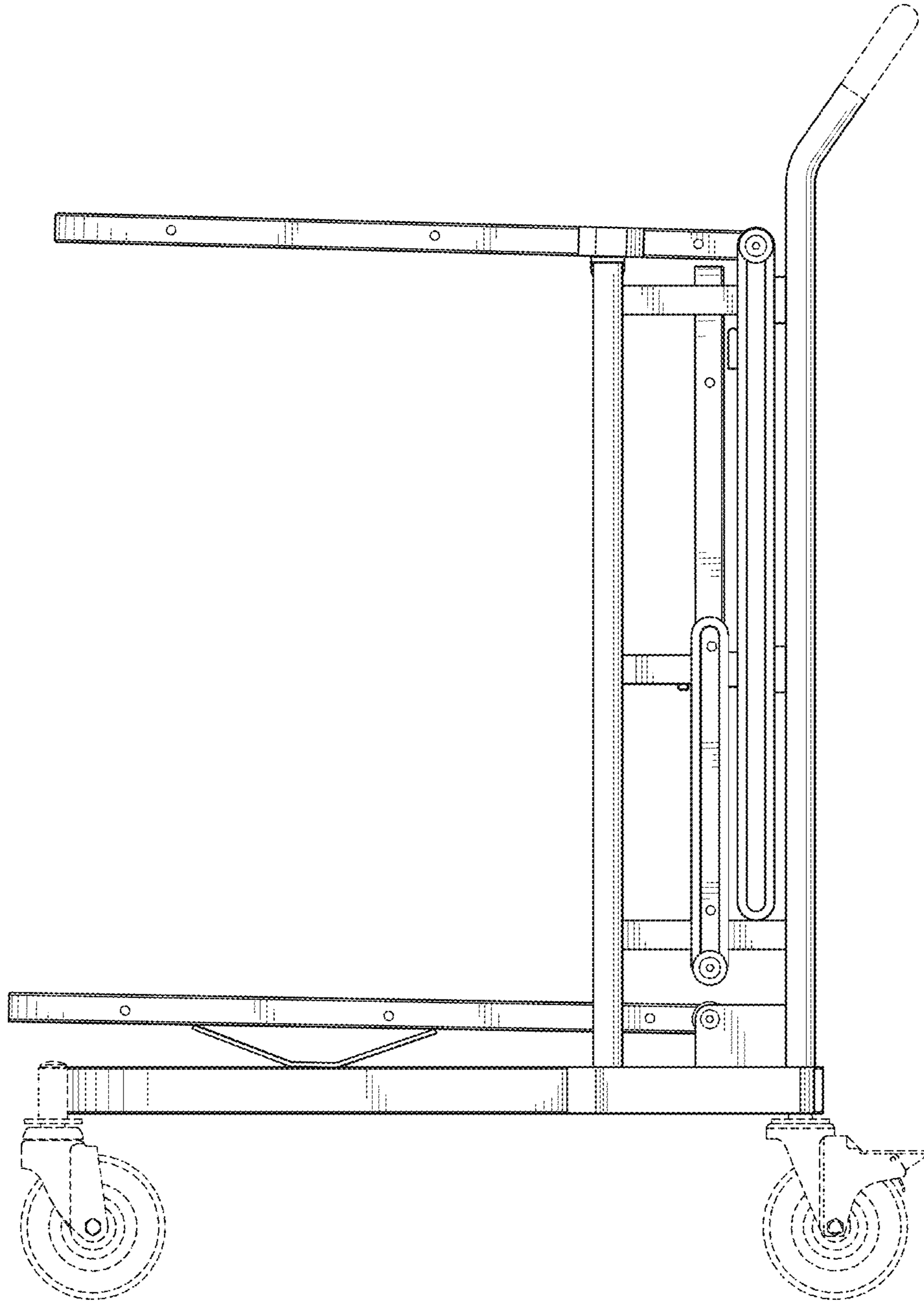


FIG.19

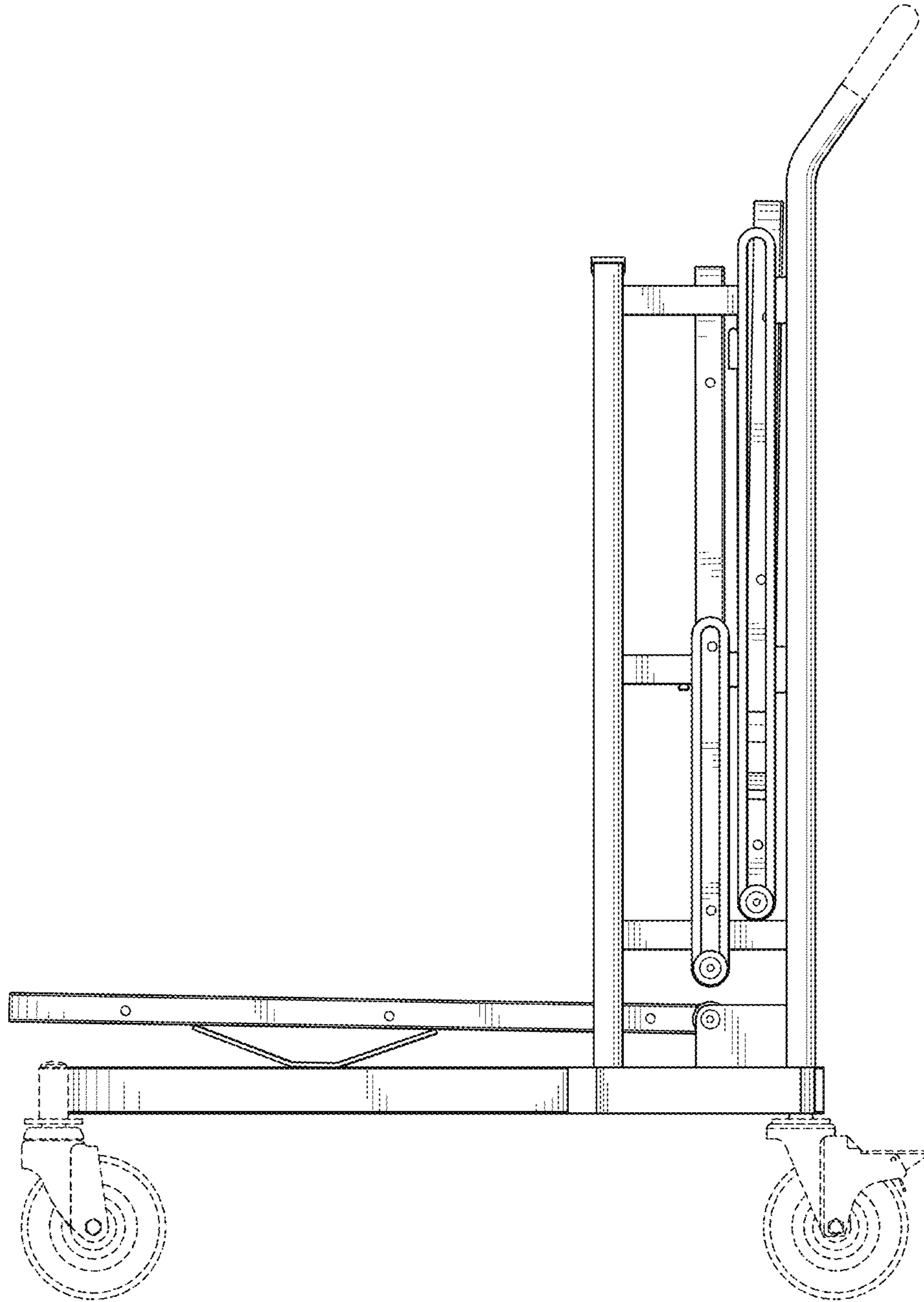


FIG.20