



US00D793643S

(12) **United States Design Patent** (10) **Patent No.:** **US D793,643 S**  
**Ramirez** (45) **Date of Patent:** **\*\* Aug. 1, 2017**

- (54) **TRASH CAN WITH LID**
- (71) Applicant: **Deborah Ramirez**, Kermit, TX (US)
- (72) Inventor: **Deborah Ramirez**, Kermit, TX (US)
- (\*\*) Term: **15 Years**
- (21) Appl. No.: **29/557,150**
- (22) Filed: **Mar. 7, 2016**

5,123,562 A	6/1992	Bullard	
5,323,923 A	6/1994	Schauer	
5,358,138 A	10/1994	Karwoski	
7,144,019 B2	12/2006	Lee	
D620,220 S *	7/2010	Hsu	D34/19
7,913,871 B2	3/2011	Fisher	
D733,383 S *	6/2015	Lloyd	D34/7
D776,892 S *	1/2017	Stauss	D34/5
D776,893 S *	1/2017	Stauss	D34/5

\* cited by examiner

*Primary Examiner* — Cynthia Ramirez  
(74) *Attorney, Agent, or Firm* — Robert C. Montgomery; Montgomery Patent and Design LP.

**Related U.S. Application Data**

- (63) Continuation of application No. 14/632,490, filed on Feb. 26, 2015, now abandoned.
- (51) **LOC (10) Cl.** ..... **09-09**
- (52) **U.S. Cl.**  
USPC ..... **D34/7**
- (58) **Field of Classification Search**  
USPC ..... D34/1-11; 220/908, 908.1, 909, 910, 220/911  
CPC ..... B65F 1/163; B65F 1/08; B65F 1/1607; B65F 1/1605; B65F 1/06; B65F 1/062; B65F 1/064  
See application file for complete search history.

(57) **CLAIM**

The ornamental design for a trash can with lid, as shown and described.

**DESCRIPTION**

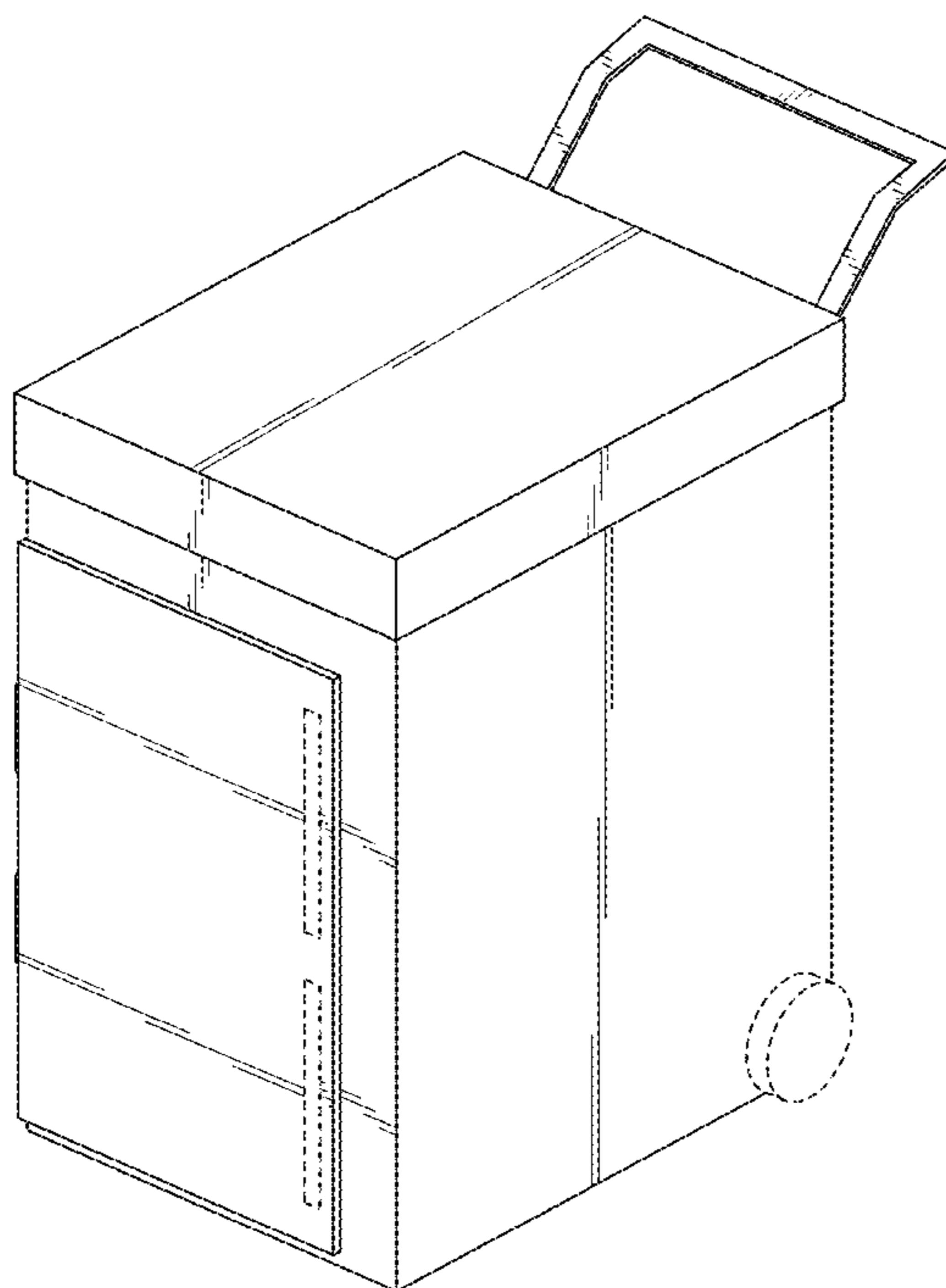
FIG. 1 is a top front side perspective view of a trash can with lid, showing my new design;  
FIG. 2 is a top front side perspective view of a trash can with a lid detached;  
FIG. 3 is a front side elevation view thereof;  
FIG. 4 is a back side elevation view thereof;  
FIG. 5 is a left side elevation view thereof;  
FIG. 6 is a right side elevation view thereof;  
FIG. 7 is a top side plan view thereof; and,  
FIG. 8 is a bottom side plan view thereof.  
The broken lines indicate boundary areas and form no part of the claimed design.

(56) **References Cited**

**U.S. PATENT DOCUMENTS**

422,274 A	2/1890	Wilkinson	
D212,039 S *	8/1968	Appel et al.	D32/2
3,771,752 A	11/1973	Meeh	
4,167,271 A	9/1979	Jorgensen	
4,222,580 A	9/1980	Krokonko	
D265,434 S *	7/1982	Phillips	D34/18
4,953,744 A	9/1990	Koyama	

**1 Claim, 8 Drawing Sheets**



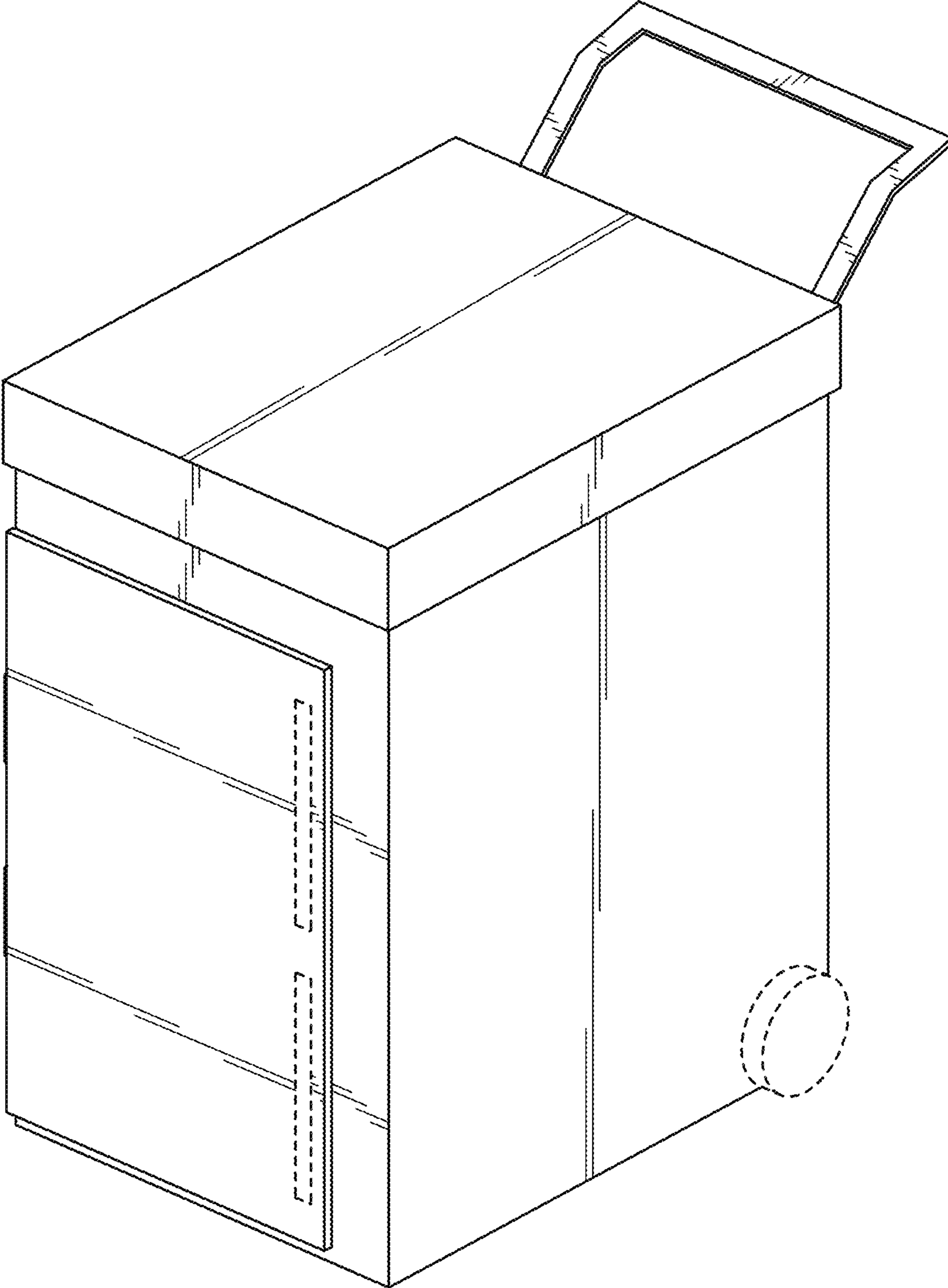


FIG. 1

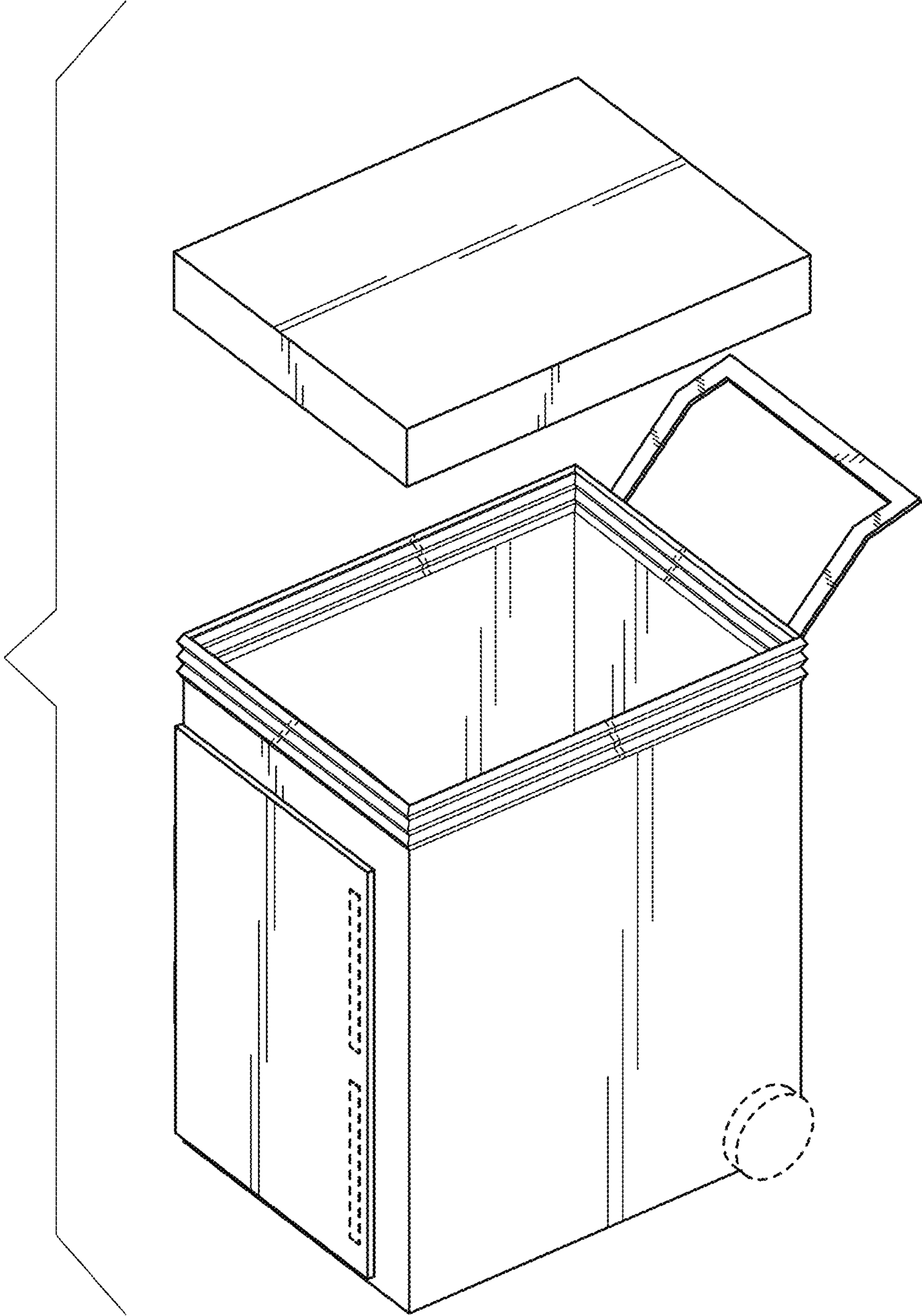


FIG. 2

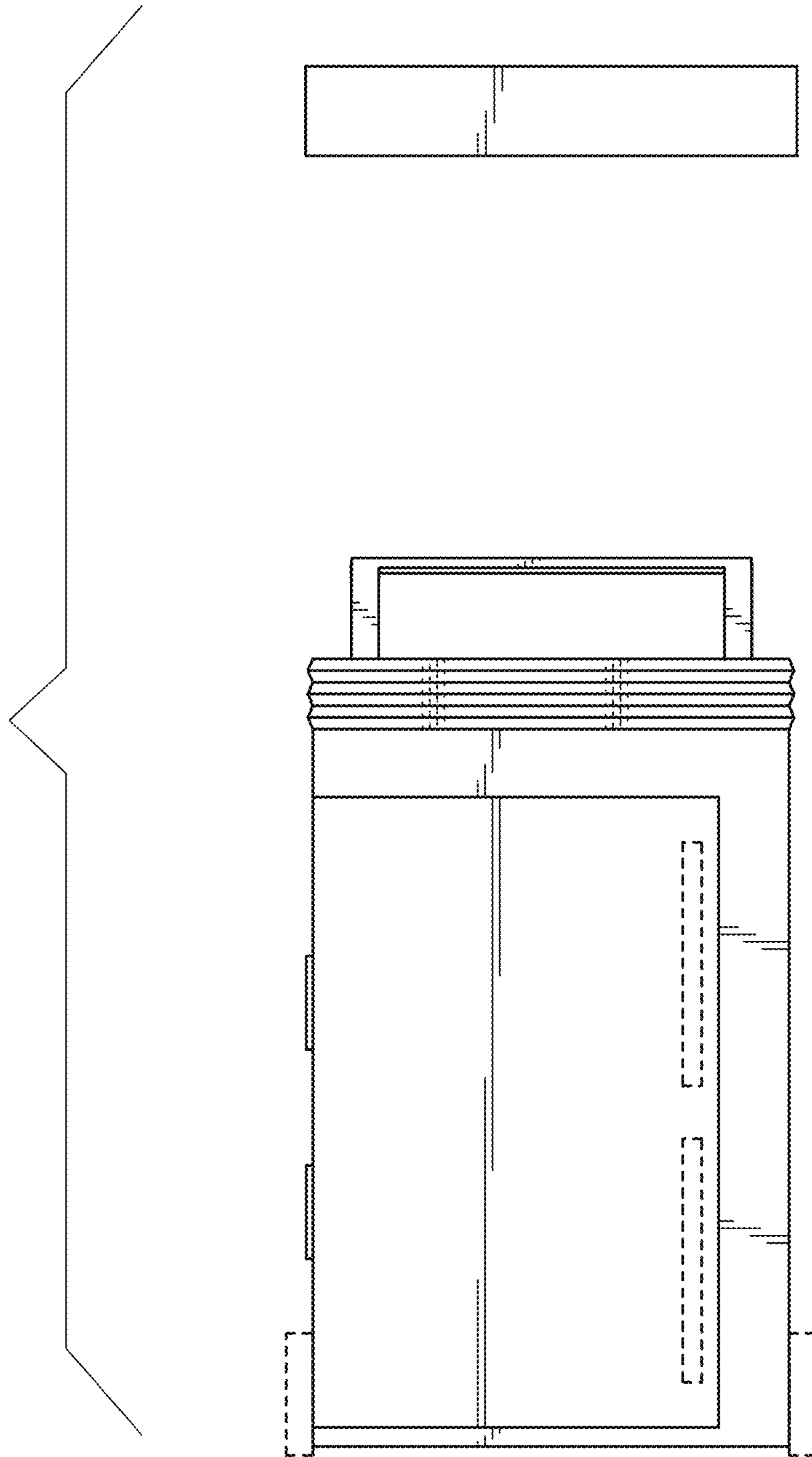


FIG. 3

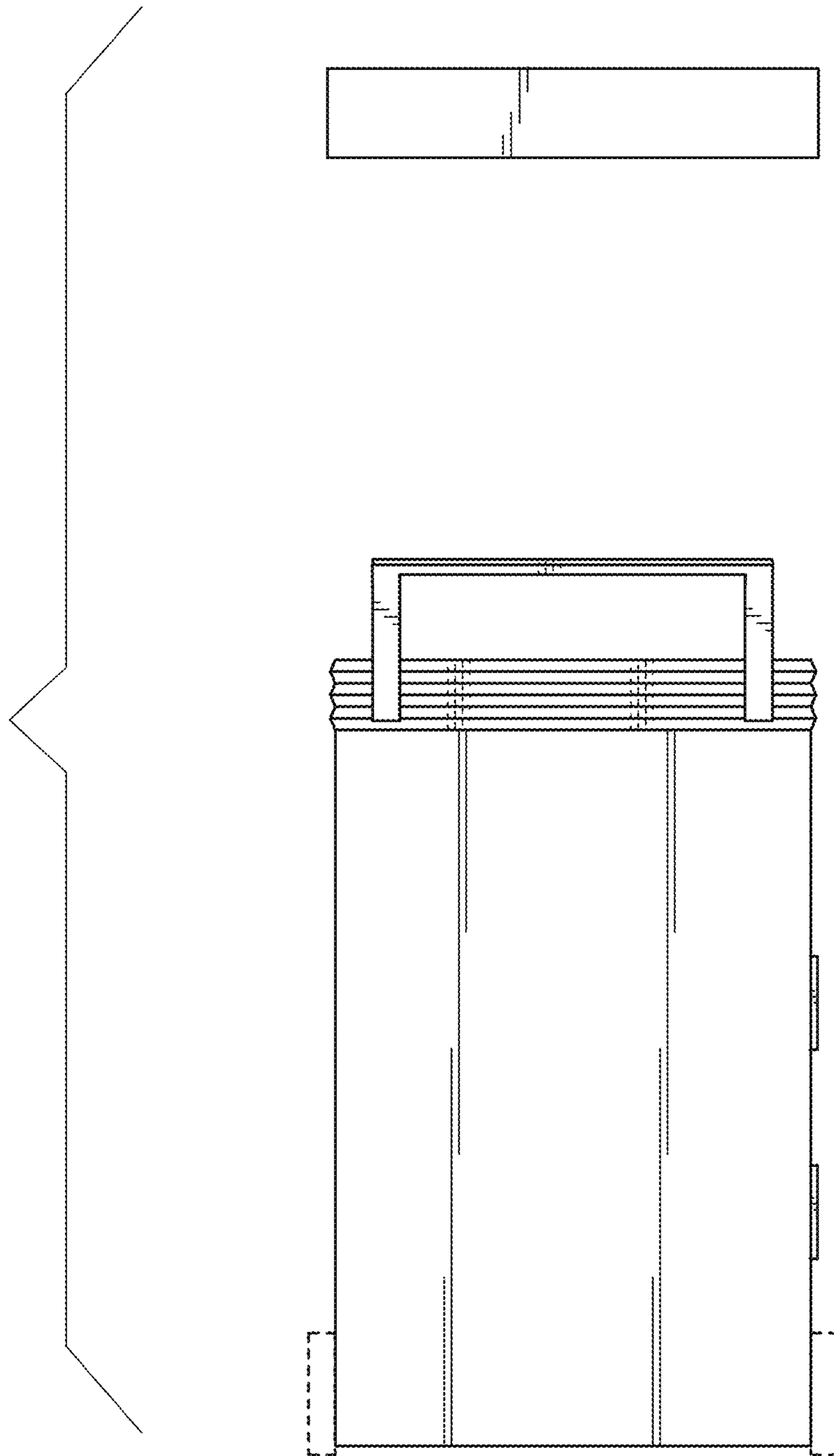


FIG. 4

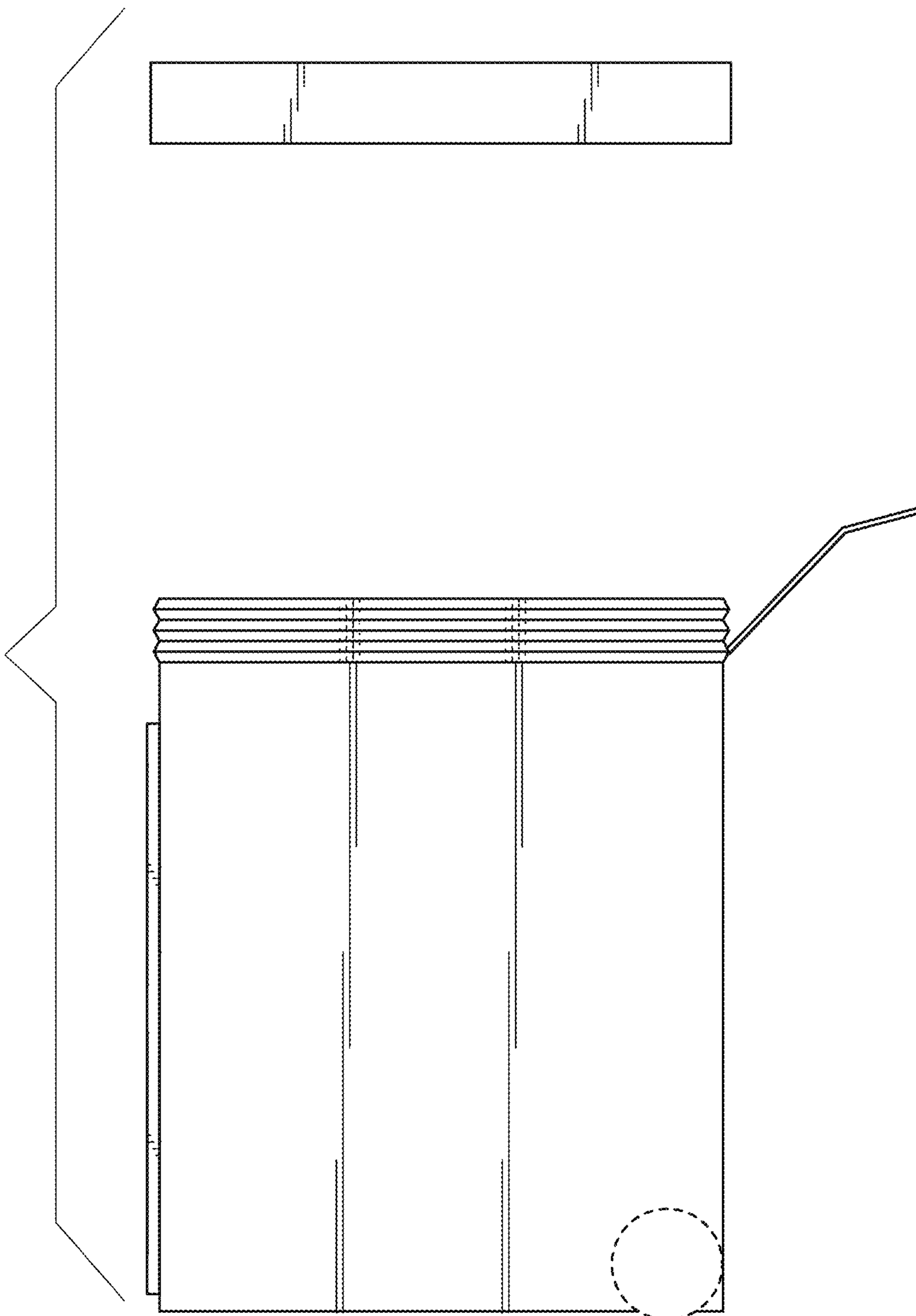


FIG. 5

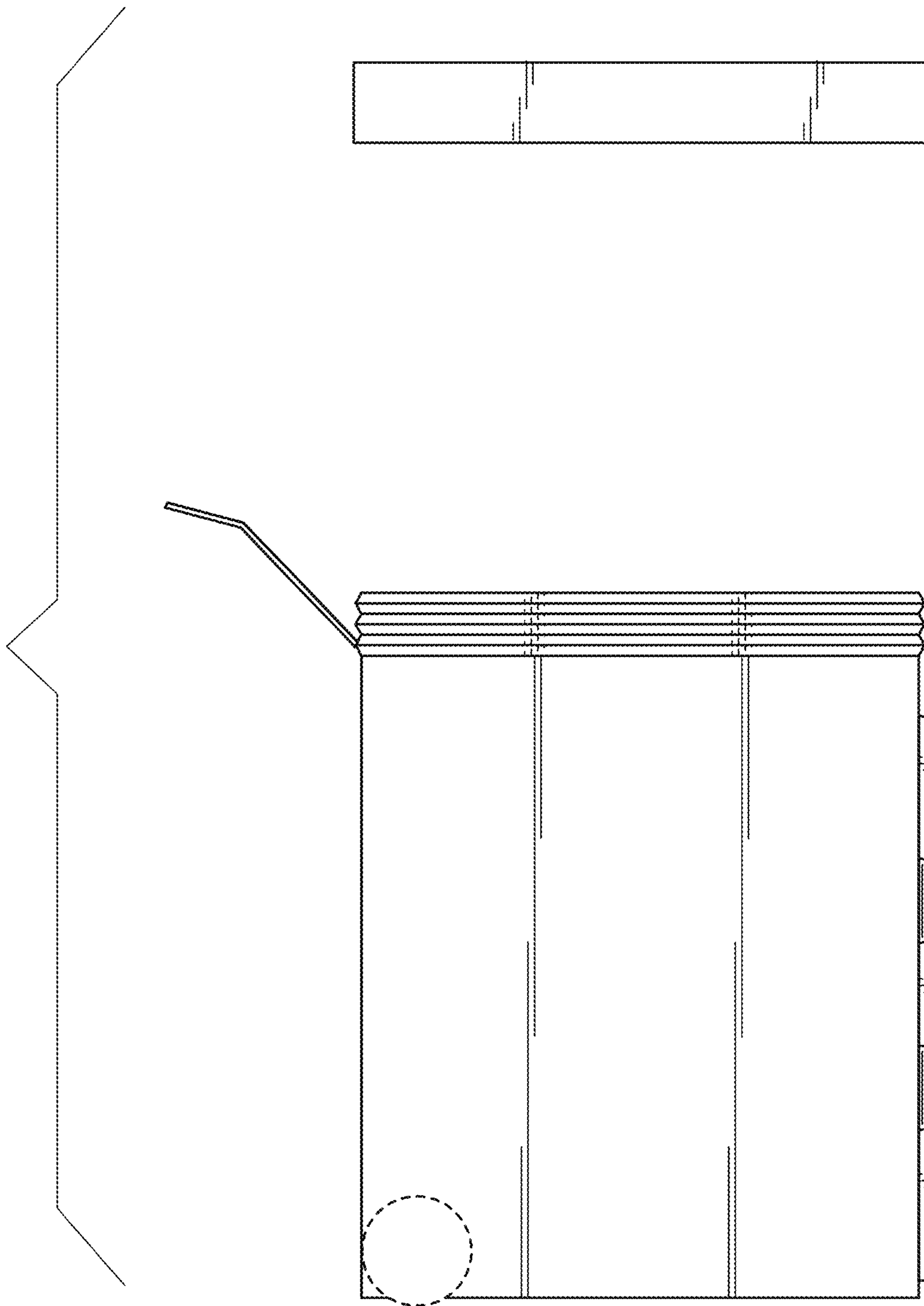


FIG. 6

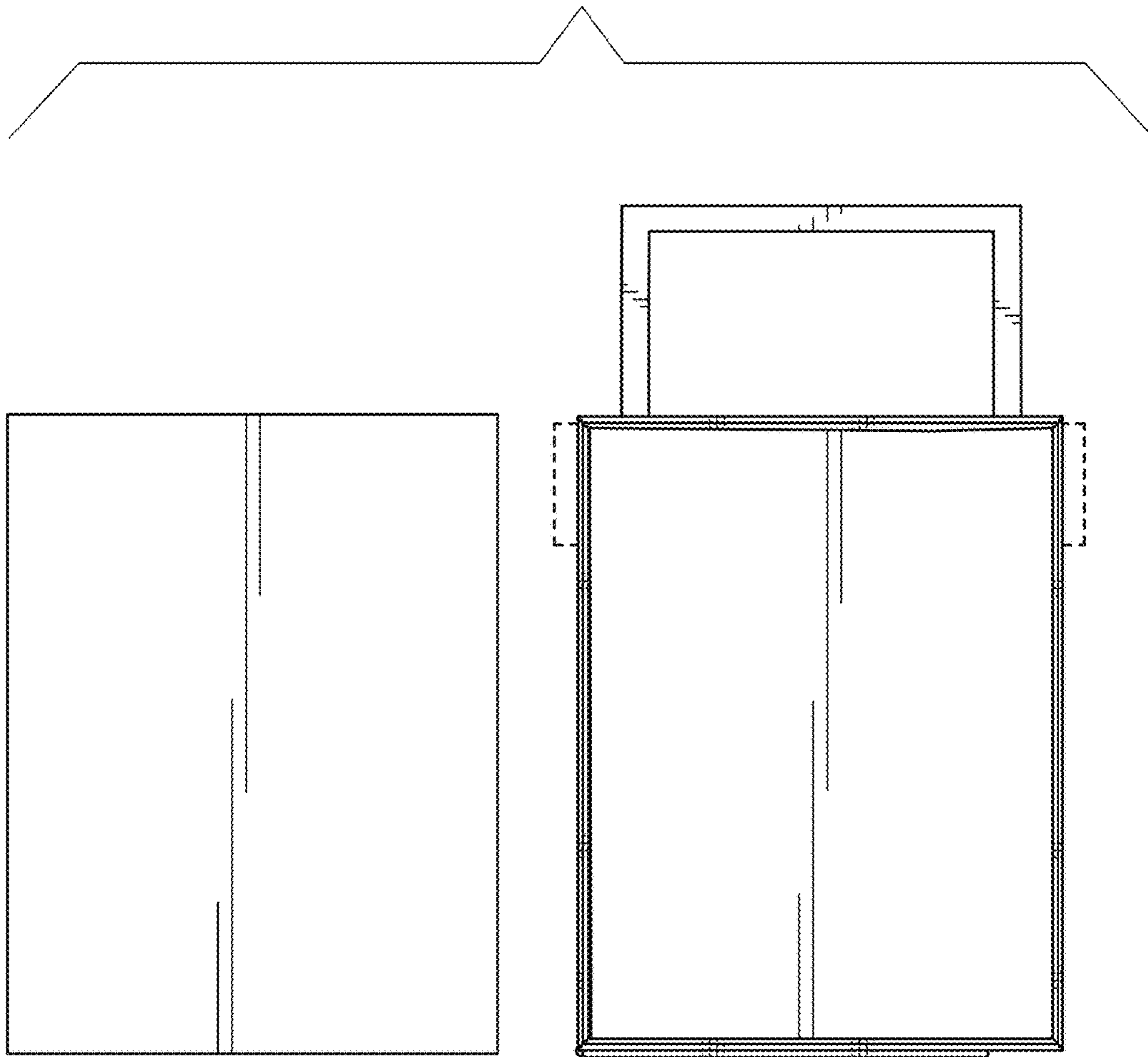


FIG. 7



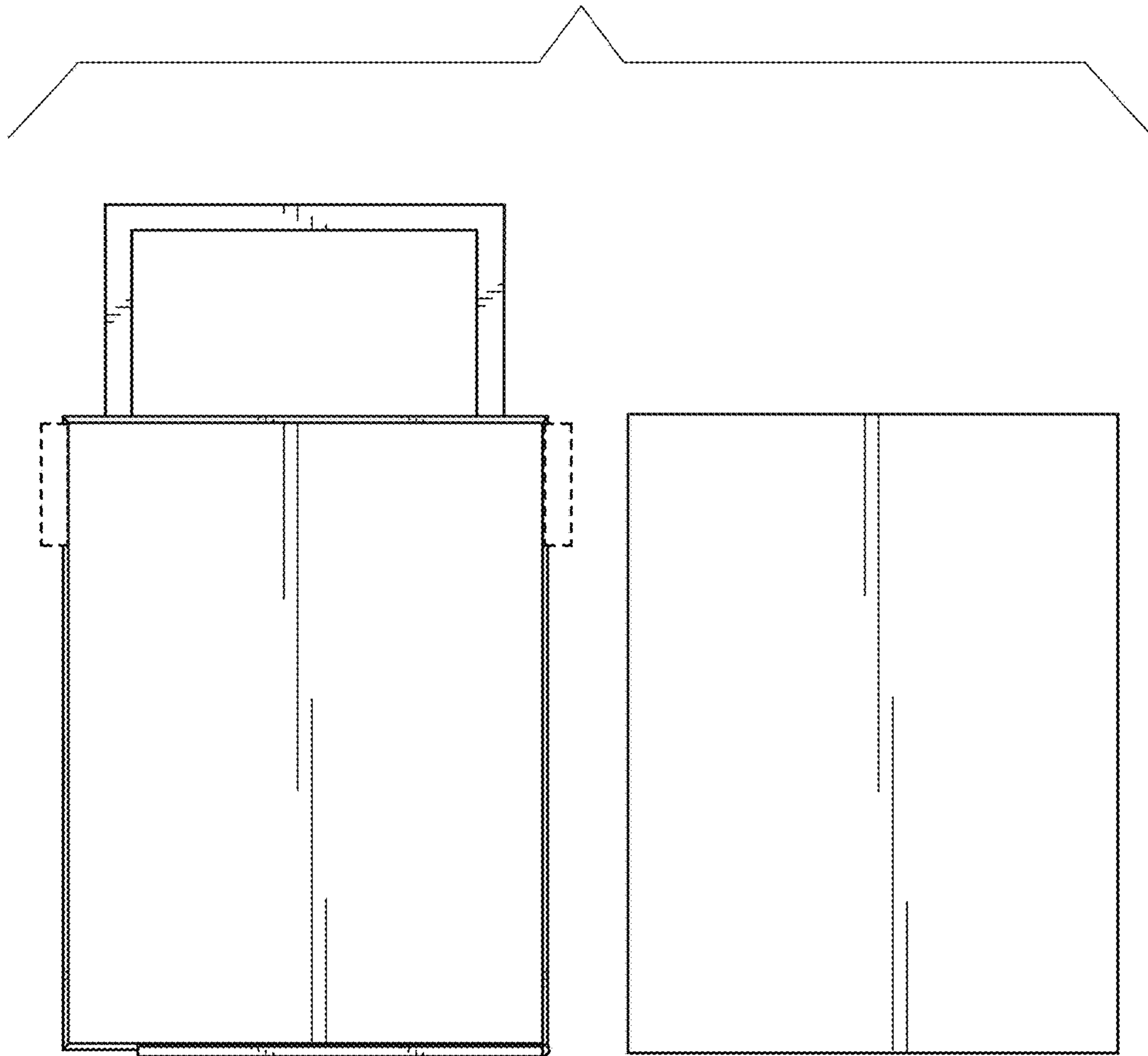


FIG. 8