



US00D793640S

(12) **United States Design Patent** (10) **Patent No.:** **US D793,640 S**
Buckley et al. (45) **Date of Patent:** **** Aug. 1, 2017**

(54) **CLEANING DEVICE**

- (71) Applicant: **Unger Marketing International, LLC**,
Bridgeport, CT (US)
- (72) Inventors: **James M. Buckley**, New Hartford, CT
(US); **Joseph K. Patterson**, Monroe,
CT (US)
- (73) Assignee: **Unger Marketing International, LLC**,
Bridgeport, CT (US)
- (**) Term: **15 Years**
- (21) Appl. No.: **29/550,204**
- (22) Filed: **Dec. 31, 2015**

Related U.S. Application Data

- (63) Continuation of application No. 14/983,883, filed on
Dec. 30, 2015.
- (51) **LOC (10) Cl.** **04-01**
- (52) **U.S. Cl.**
USPC **D32/45**
- (58) **Field of Classification Search**
USPC D32/40-43, 50-52; D4/118, 199;
D8/33, 47, 90, 93

(Continued)

(56) **References Cited**

U.S. PATENT DOCUMENTS

2,104,161 A 12/1934 Koukal
4,776,716 A 10/1988 Huang

(Continued)

FOREIGN PATENT DOCUMENTS

CA 2730814 A1 8/2011
CA 2893297 6/2014

(Continued)

OTHER PUBLICATIONS

Best Steam Mop Reviews for 2016, <http://topsteamcleaners.com/best-steam-mop-reviews/>, [site visited Feb. 21, 2017 1:22:23 PM].*
(Continued)

Primary Examiner — John Windmuller

Assistant Examiner — John R Yeh

(74) *Attorney, Agent, or Firm* — Ohlandt, Greeley,
Ruggiero & Perle, L.L.P.

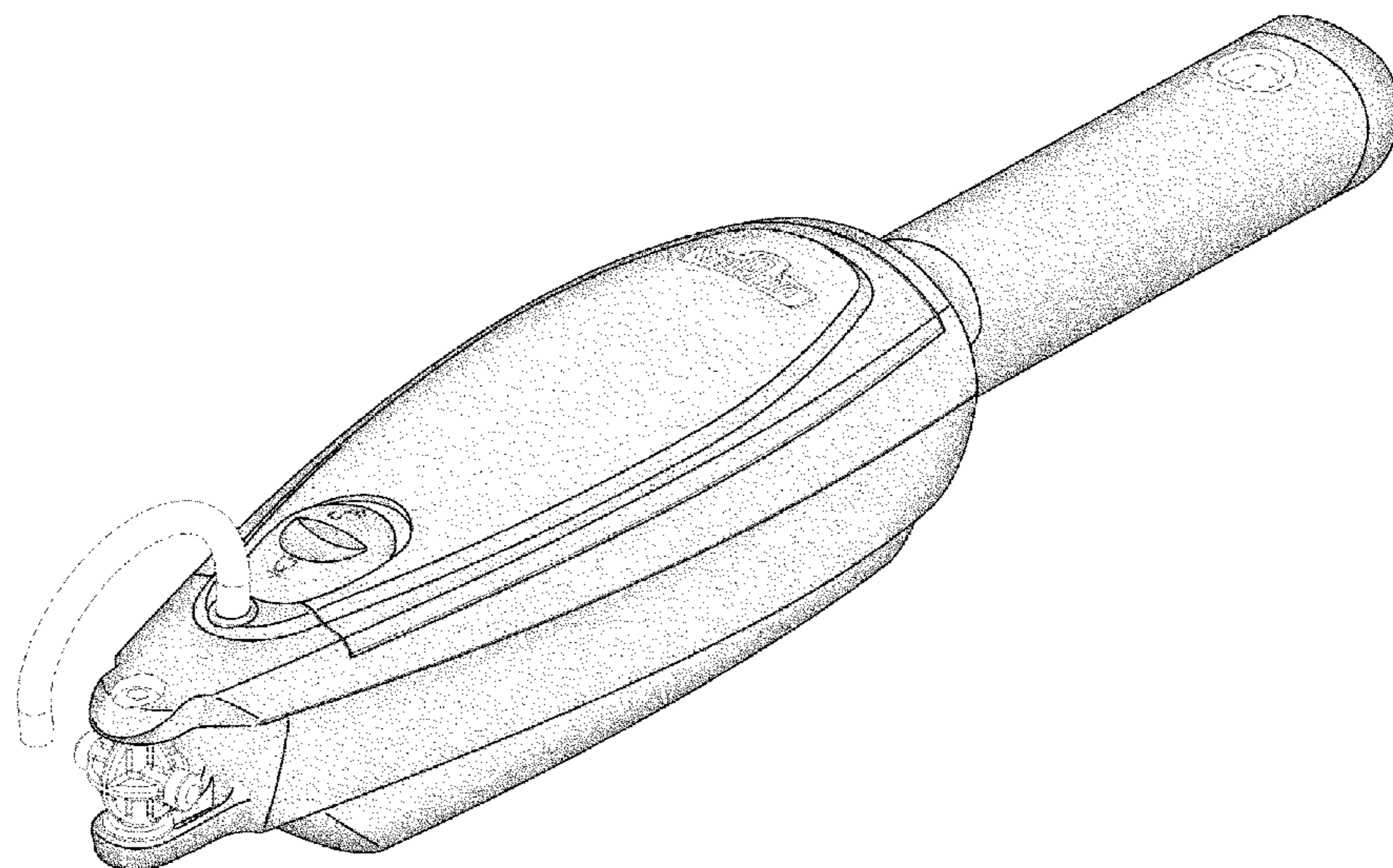
(57) **CLAIM**

The ornamental design for a cleaning device, as shown and described.

DESCRIPTION

FIG. 1 is a front, top perspective view of a cleaning device according to the present disclosure; FIG. 2 is a rear, bottom perspective view of the cleaning device of FIG. 1; FIG. 3 is a first side view of the cleaning device of FIG. 1; FIG. 4 is a second, opposite side view of the cleaning device of FIG. 1; FIG. 5 is a front view of the cleaning device of FIG. 1; FIG. 6 is a rear view of the cleaning device of FIG. 1; FIG. 7 is a top view of the cleaning device of FIG. 1; and, FIG. 8 is a bottom view of the cleaning device of FIG. 1. The broken lines in the drawings depict portions of the cleaning device that form no part of the claimed design. A portion of the disclosure of this patent document contains material which is subject to trademark protection. This patent document may show and/or describe matter which is or may become a trademark of Unger Marketing International LLC. The trademark owner has no objection to the facsimile reproduction by anyone of the patent disclosure as it appears in the Patent and Trademark Office patent files or records, but otherwise reserves all trademark rights whatsoever.

1 Claim, 6 Drawing Sheets



(58) **Field of Classification Search**
 CPC . A47L 13/08; A47L 9/06; A47L 13/02; A46B
 5/02; B24D 15/06; B25F 1/00; B26B
 5/00; B44D 3/16; B08B 1/00; B60S 3/04
 See application file for complete search history.

(56) **References Cited**

U.S. PATENT DOCUMENTS

4,863,299 A 9/1989 Osberghaus et al.
 5,271,682 A 12/1993 Realdon
 5,735,620 A 4/1998 Ford
 5,888,006 A 3/1999 Ping et al.
 6,142,750 A 11/2000 Benecke
 6,497,525 B1 12/2002 Huang
 6,540,424 B1 4/2003 Hall et al.
 6,551,001 B2 4/2003 Aberegg et al.
 6,579,023 B2 6/2003 Kunkler et al.
 6,601,261 B1 * 8/2003 Holt A47L 13/16
 15/209.1
 6,612,768 B2 9/2003 Zorzo
 6,655,866 B1 12/2003 Morad et al.
 6,659,670 B1 12/2003 Blouse
 6,663,306 B2 12/2003 Policicchio et al.
 6,669,391 B2 12/2003 Policicchio et al.
 6,722,806 B2 4/2004 Kunkler et al.
 6,726,388 B1 4/2004 Monahan
 6,854,911 B2 2/2005 Policicchio et al.
 6,854,912 B2 2/2005 Dyer et al.
 D505,762 S * 5/2005 Lalanne D32/45
 6,893,180 B2 5/2005 Hall et al.
 6,899,485 B2 5/2005 Hall et al.
 6,953,299 B2 10/2005 Wang et al.
 6,960,042 B1 11/2005 Hsiao
 6,964,535 B2 11/2005 Bell et al.
 D514,267 S * 1/2006 Tsai D32/45
 6,981,533 B2 1/2006 Zorzo
 6,986,618 B2 1/2006 Hall et al.
 6,986,619 B2 1/2006 Hall et al.
 D515,759 S * 2/2006 Fischer D32/45
 7,004,658 B2 2/2006 Hall et al.
 7,048,458 B2 5/2006 Hall et al.
 7,048,804 B2 5/2006 Kisela et al.
 7,056,050 B2 6/2006 Sacks
 7,159,275 B2 1/2007 Chang
 7,160,044 B2 1/2007 Dyer et al.
 7,163,349 B2 1/2007 Policicchio et al.
 7,172,099 B2 2/2007 Hofte et al.
 7,191,486 B1 3/2007 Michelson et al.
 7,431,524 B2 10/2008 Sacks
 D592,819 S * 5/2009 Crawford D32/45
 7,530,136 B1 5/2009 Ball
 D597,270 S * 7/2009 McNeil D32/51
 D602,218 S * 10/2009 Koenig D32/40
 7,618,206 B2 11/2009 Sacks
 D606,270 S * 12/2009 Weis D32/50
 D607,169 S * 12/2009 Weis D32/40
 7,699,551 B2 4/2010 Suda et al.
 D615,260 S * 5/2010 Koenig D32/45
 7,708,485 B2 5/2010 Tanaka et al.
 7,722,273 B2 5/2010 Tanaka et al.
 7,850,384 B2 12/2010 Sacks
 8,069,520 B2 12/2011 Mattucci et al.
 8,079,770 B2 12/2011 Widmer et al.
 8,096,723 B2 1/2012 Bae
 8,109,685 B1 2/2012 Vito
 D657,515 S * 4/2012 McGee D32/45

D657,517 S * 4/2012 McGee D32/45
 D657,518 S * 4/2012 McGee D32/45
 D658,835 S * 5/2012 Houghton D32/45
 D659,924 S * 5/2012 McGee D32/45
 D660,533 S * 5/2012 Hill D32/22
 D661,036 S * 5/2012 Raven D32/45
 8,186,898 B2 5/2012 Bradbury et al.
 8,205,293 B2 6/2012 Rosenzweig et al.
 8,241,427 B1 8/2012 Crawford et al.
 8,267,607 B2 9/2012 Harris
 8,425,137 B1 4/2013 Sampaio
 8,449,212 B2 5/2013 Crawford et al.
 D685,966 S * 7/2013 Houghton D32/45
 D685,967 S * 7/2013 Houghton D32/45
 D685,968 S * 7/2013 Smith D32/45
 8,596,896 B2 12/2013 Kimura
 8,641,309 B2 2/2014 Perry et al.
 8,662,778 B2 3/2014 Crawford et al.
 8,667,637 B2 3/2014 Vrdoljak et al.
 D711,058 S * 8/2014 Crawley D32/45
 8,807,858 B2 8/2014 Fitzpatrick et al.
 8,834,053 B2 9/2014 Van Latingham, Jr. et al.
 8,844,088 B2 9/2014 Garcia Castillo
 8,894,315 B2 11/2014 Dingert et al.
 8,926,210 B2 1/2015 Orubor
 8,927,480 B2 1/2015 Williams et al.
 9,044,132 B2 6/2015 Kaminer et al.
 D747,054 S * 1/2016 Seifts D32/45
 D765,331 S * 8/2016 Chei D32/45
 D765,332 S * 8/2016 Niedzwecki D32/45
 D766,527 S * 9/2016 Niedzwecki D32/45
 2003/0103795 A1 6/2003 Hollars et al.
 2003/0126710 A1 7/2003 Policicchio et al.
 2004/0146333 A1 7/2004 Fu
 2004/0223803 A1 11/2004 Fahy et al.
 2005/0031404 A1 2/2005 Tsai et al.
 2005/0089360 A1 4/2005 Garabedian, Jr. et al.
 2005/0191116 A1 9/2005 Flanery et al.
 2006/0039743 A1 2/2006 Mensink et al.
 2006/0110207 A1 5/2006 Augustinus Hofte et al.
 2006/0213017 A1 9/2006 Bele et al.
 2007/0140774 A1 6/2007 Dyer et al.
 2007/0231046 A1 10/2007 Whiffen et al.
 2008/0038045 A1 2/2008 Hofte et al.
 2008/0066242 A1 3/2008 Aiyar
 2008/0205972 A1 8/2008 LaFlamme et al.
 2011/0158740 A1 6/2011 Kandasamy et al.
 2012/0227763 A1 9/2012 Hayes et al.
 2013/0263396 A1 10/2013 Crawford et al.
 2013/0263398 A1 10/2013 Irwin et al.
 2014/0317868 A1 10/2014 Fitzpatrick et al.
 2015/0082570 A1 3/2015 Davidshofer et al.
 2015/0089757 A1 4/2015 Davidshofer et al.
 2015/0101140 A1 4/2015 Pierce

FOREIGN PATENT DOCUMENTS

CN 303293105 * 7/2015
 CN 303499919 * 12/2015
 EM 001277214-0002 * 7/2011

OTHER PUBLICATIONS

HooverTwinTank_2011_Manual, 13 pages.
 International Search Report and Written Opinion dated Feb. 25,
 2016 for corresponding International Patent Application No. PCT/
 US2015/068212, 8 pages.

* cited by examiner

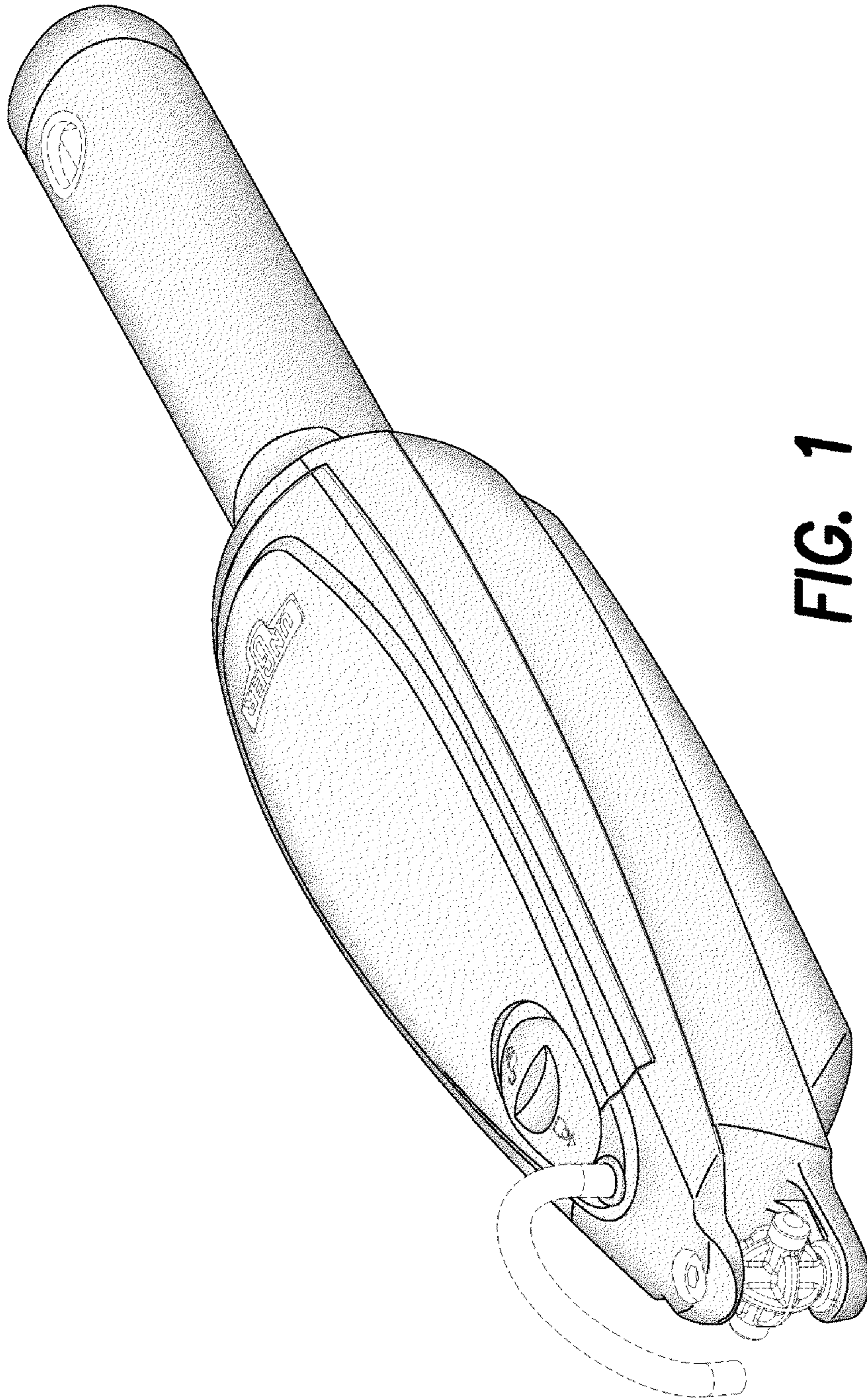


FIG. 1

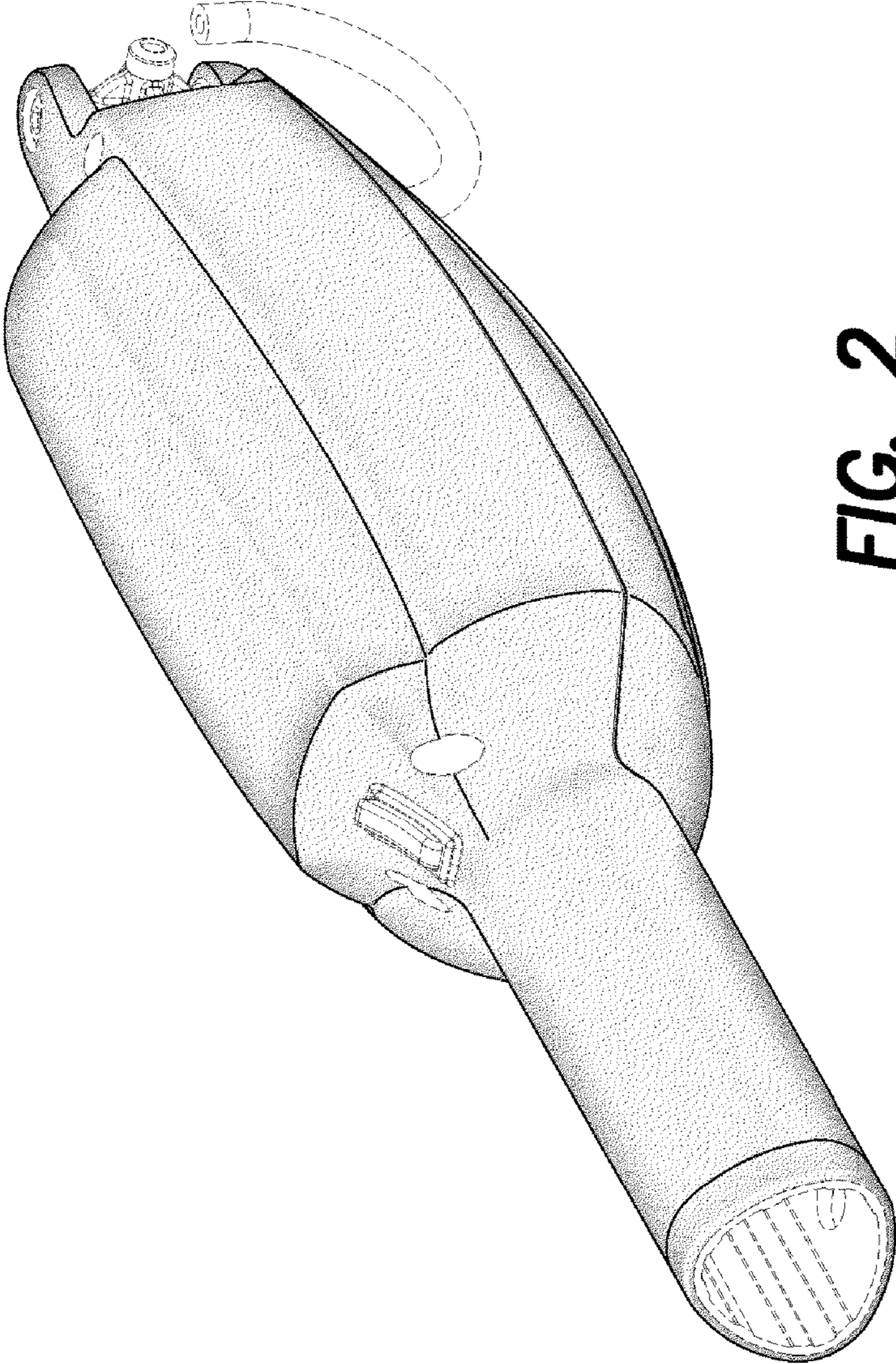


FIG. 2

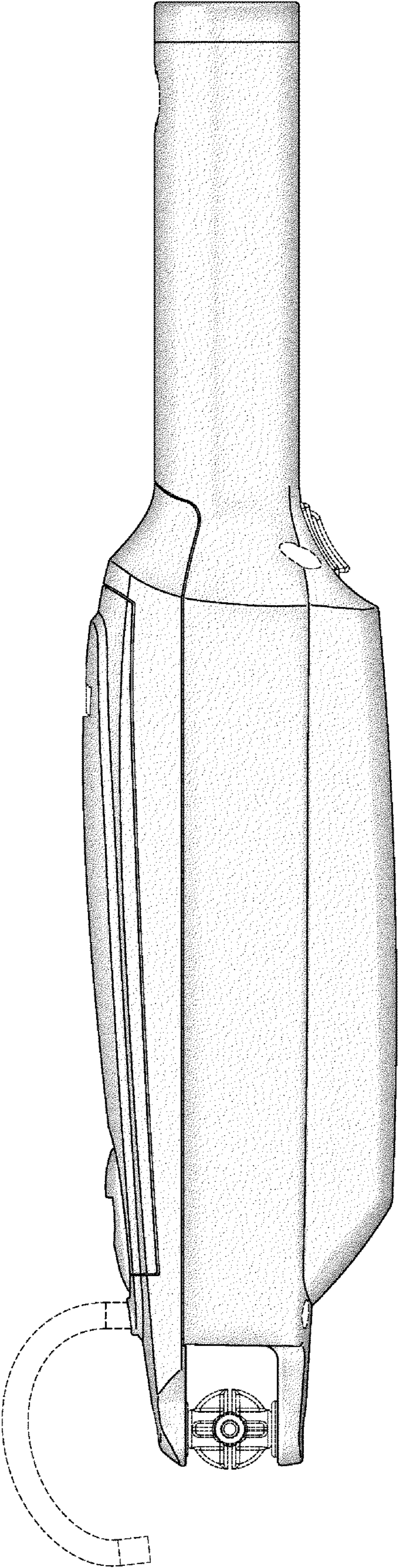


FIG. 3

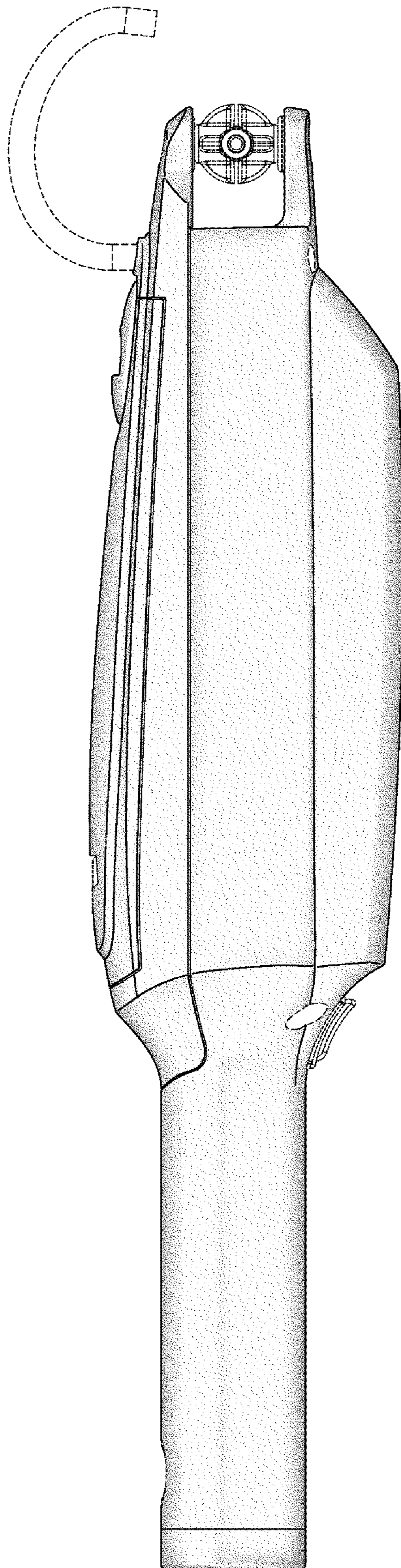


FIG. 4

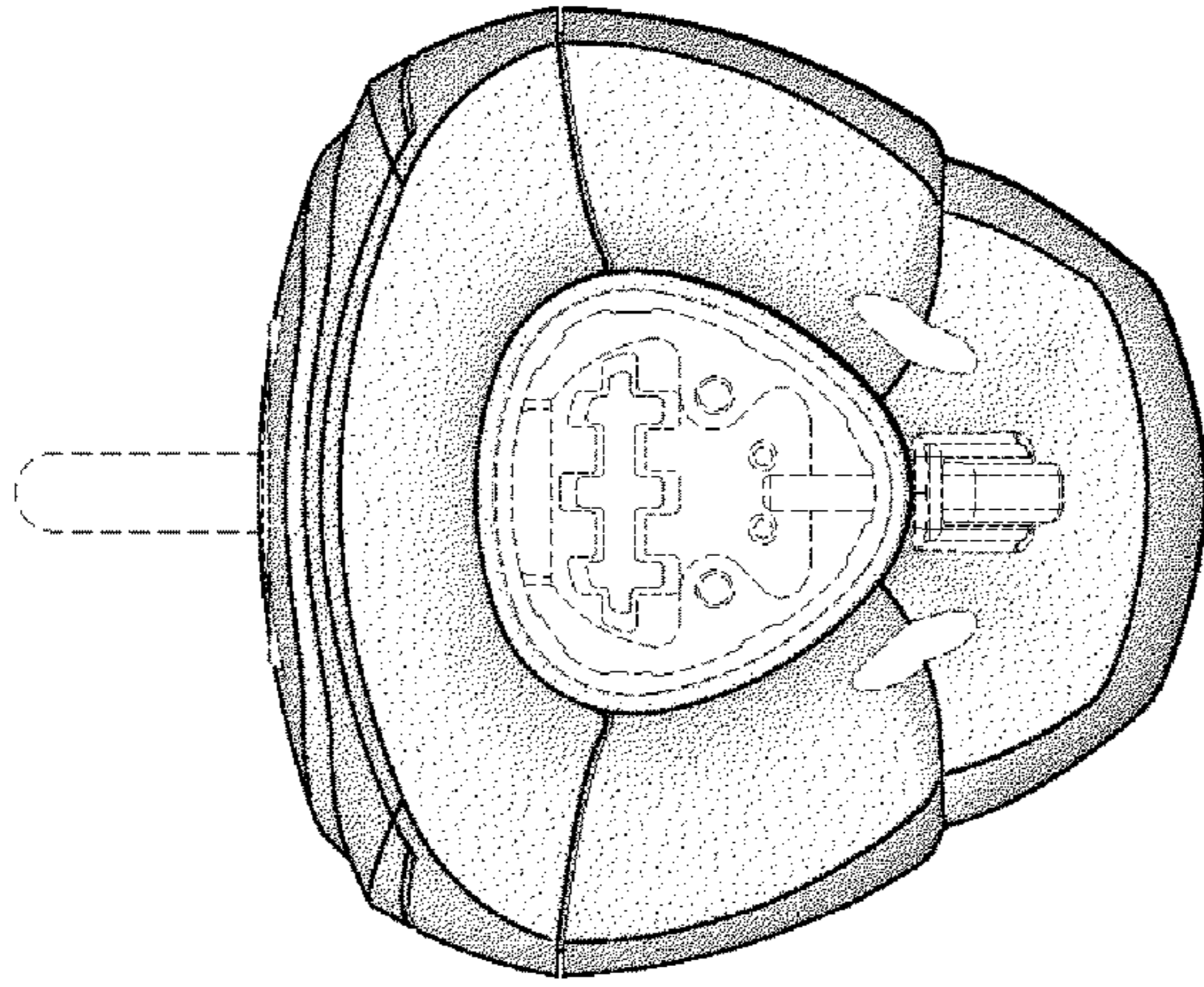


FIG. 6

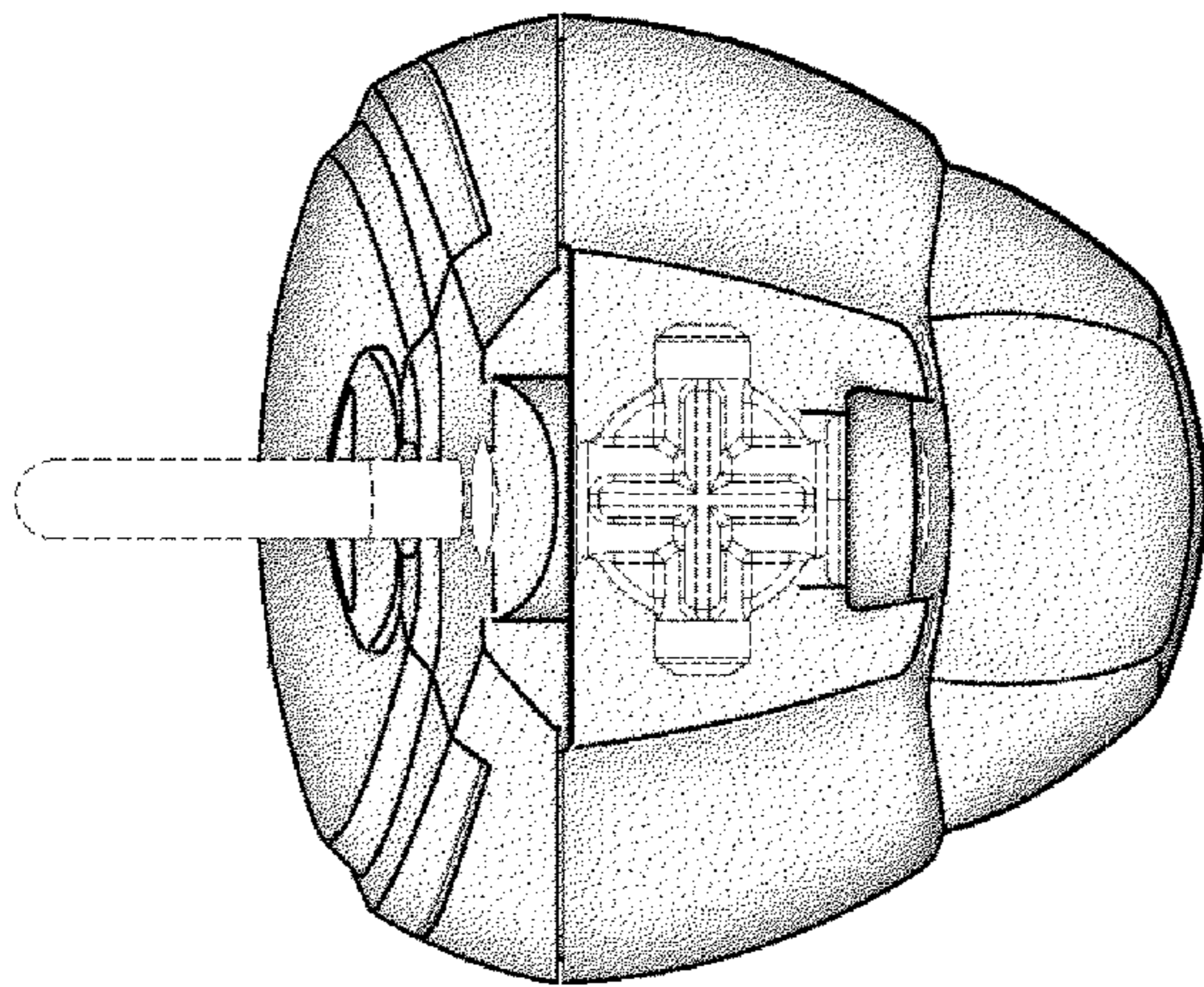


FIG. 5

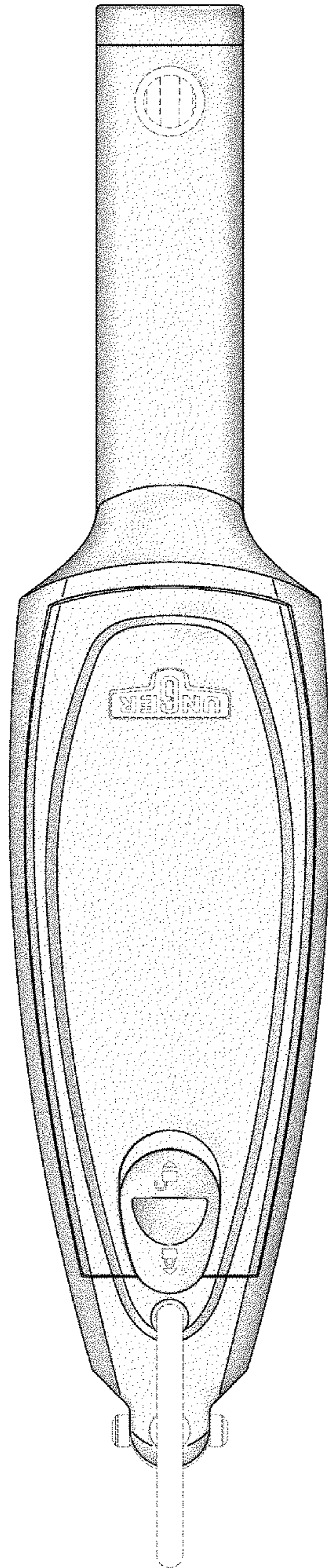


FIG. 7

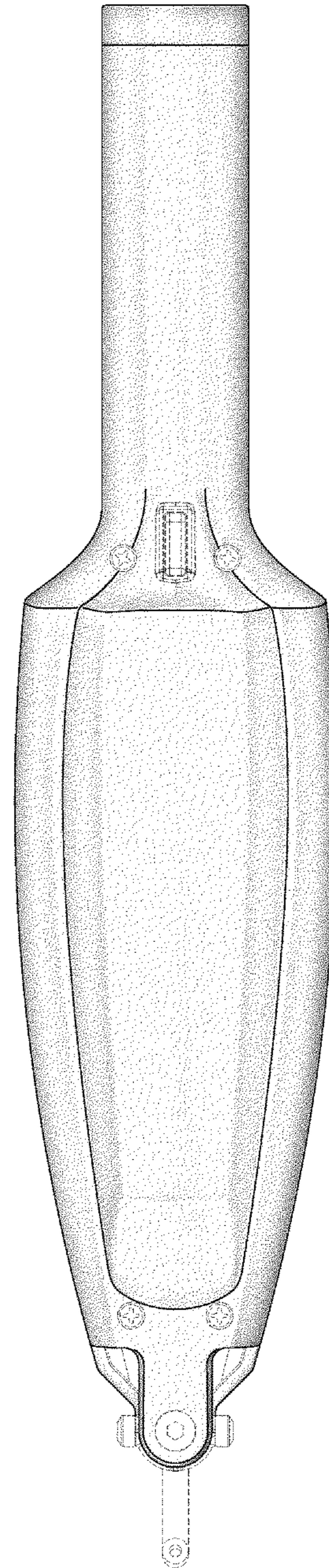


FIG. 8