



US00D793638S

(12) **United States Design Patent**  
**LaBarbera et al.**

(10) **Patent No.:** **US D793,638 S**

(45) **Date of Patent:** **\*\* Aug. 1, 2017**

(54) **CLEANING DEVICE**

(71) Applicants: **John LaBarbera**, Poway, CA (US);  
**Vincent LaBarbera**, Poway, CA (US)

(72) Inventors: **John LaBarbera**, Poway, CA (US);  
**Vincent LaBarbera**, Poway, CA (US)

(73) Assignee: **MYTEE PRODUCTS, INC.**, Poway,  
CA (US)

(\*\*) Term: **15 Years**

(21) Appl. No.: **29/537,717**

(22) Filed: **Aug. 28, 2015**

(51) **LOC (10) Cl.** ..... **15-05**

(52) **U.S. Cl.**  
USPC ..... **D32/32**

(58) **Field of Classification Search**  
USPC ..... D32/31-33, 17  
CPC .. D06F 87/00; A47L 5/24; A47L 11/34; A47L  
11/4044; A47L 11/4086; A47L 9/02;  
A47L 9/0461; A47L 9/0693; A47L 9/06;  
A47L 7/009  
See application file for complete search history.

(56) **References Cited**

**U.S. PATENT DOCUMENTS**

D239,243 S *	3/1976	Hachtmann	.....	D32/32
D264,139 S *	4/1982	Pearman, Jr.	.....	D32/33
D296,372 S *	6/1988	Toney	.....	D32/32
4,821,364 A *	4/1989	McAllister	.....	A47L 11/34 15/321
D306,788 S *	3/1990	McAllister	.....	D32/32
5,640,739 A *	6/1997	Campbell	.....	A47L 11/34 15/321
5,784,753 A *	7/1998	Kaczmarz	.....	A47L 7/0009 15/319

D540,994 S *	4/2007	Borges	.....	D32/33
D541,494 S *	4/2007	Tsen	.....	D32/17
D576,363 S *	9/2008	Reiner	.....	D32/17
D589,663 S *	3/2009	Massip	.....	D32/17
D590,111 S *	4/2009	Wiljanen	.....	D32/32
D590,112 S *	4/2009	Sun	.....	D32/32
D663,909 S *	7/2012	Andreesen	.....	D32/17
D674,978 S *	1/2013	Hill	.....	D32/32
D722,731 S *	2/2015	Aviolat	.....	D32/17
D731,723 S *	6/2015	Dammkoehler	.....	D32/32
2003/0033687 A1 *	2/2003	Tsen	.....	A47L 11/34 15/322
2013/0318741 A1 *	12/2013	Moyher, Jr.	.....	A47L 5/362 15/327.1
2015/0354128 A1 *	12/2015	Choo	.....	D06F 75/14 68/222
2016/0037989 A1 *	2/2016	Theising	.....	A47L 9/30 15/324
2016/0053430 A1 *	2/2016	Chua	.....	D06F 87/00 68/5 A

\* cited by examiner

*Primary Examiner* — Ruth McInroy

(74) *Attorney, Agent, or Firm* — Themis Law

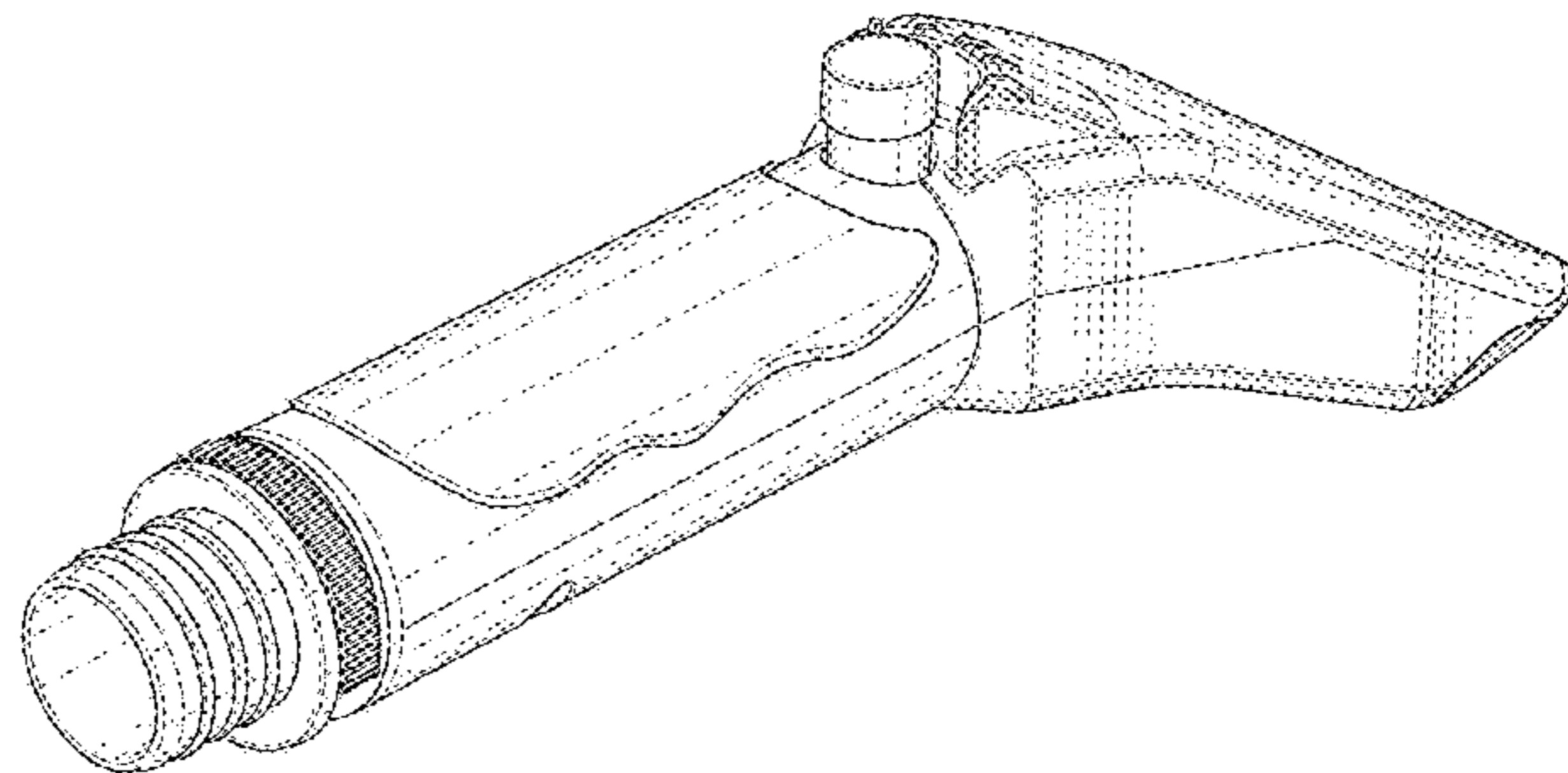
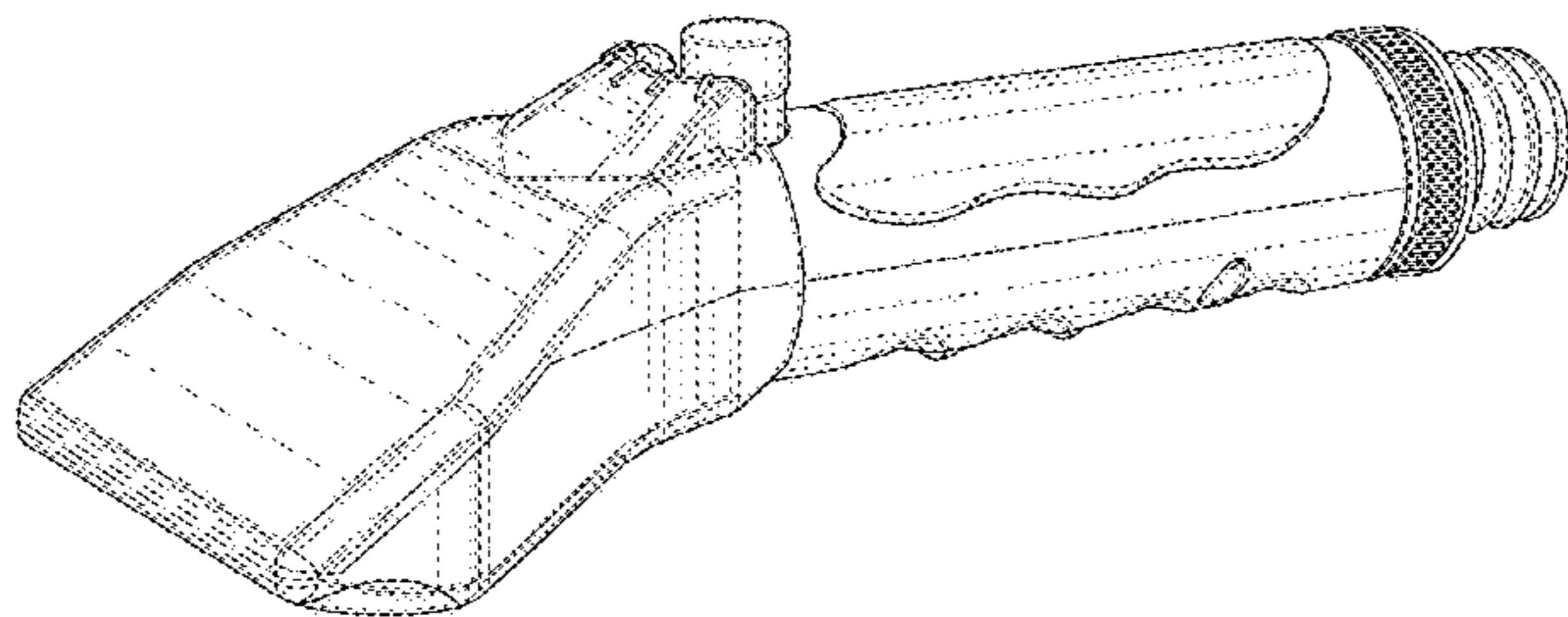
(57) **CLAIM**

The ornamental design for a cleaning device, as shown and described.

**DESCRIPTION**

FIG. 1 is a front perspective view of a cleaning device showing our new design;  
FIG. 2 is a rear perspective view thereof;  
FIG. 3 is a front elevational view thereof;  
FIG. 4 is a right side elevational view thereof;  
FIG. 5 is a left side elevational view thereof;  
FIG. 6 is a rear elevational view thereof;  
FIG. 7 is a top plan view thereof; and,  
FIG. 8 is a bottom plan view thereof.

**1 Claim, 8 Drawing Sheets**



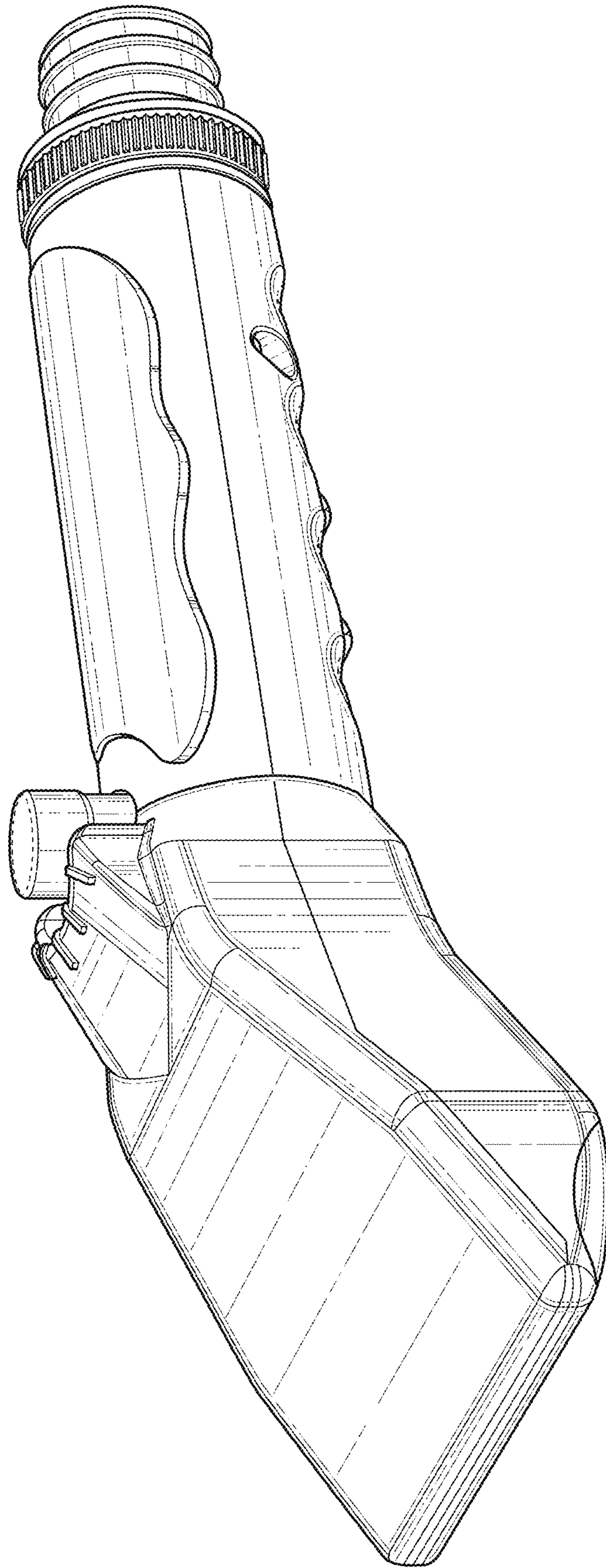


FIG. 1

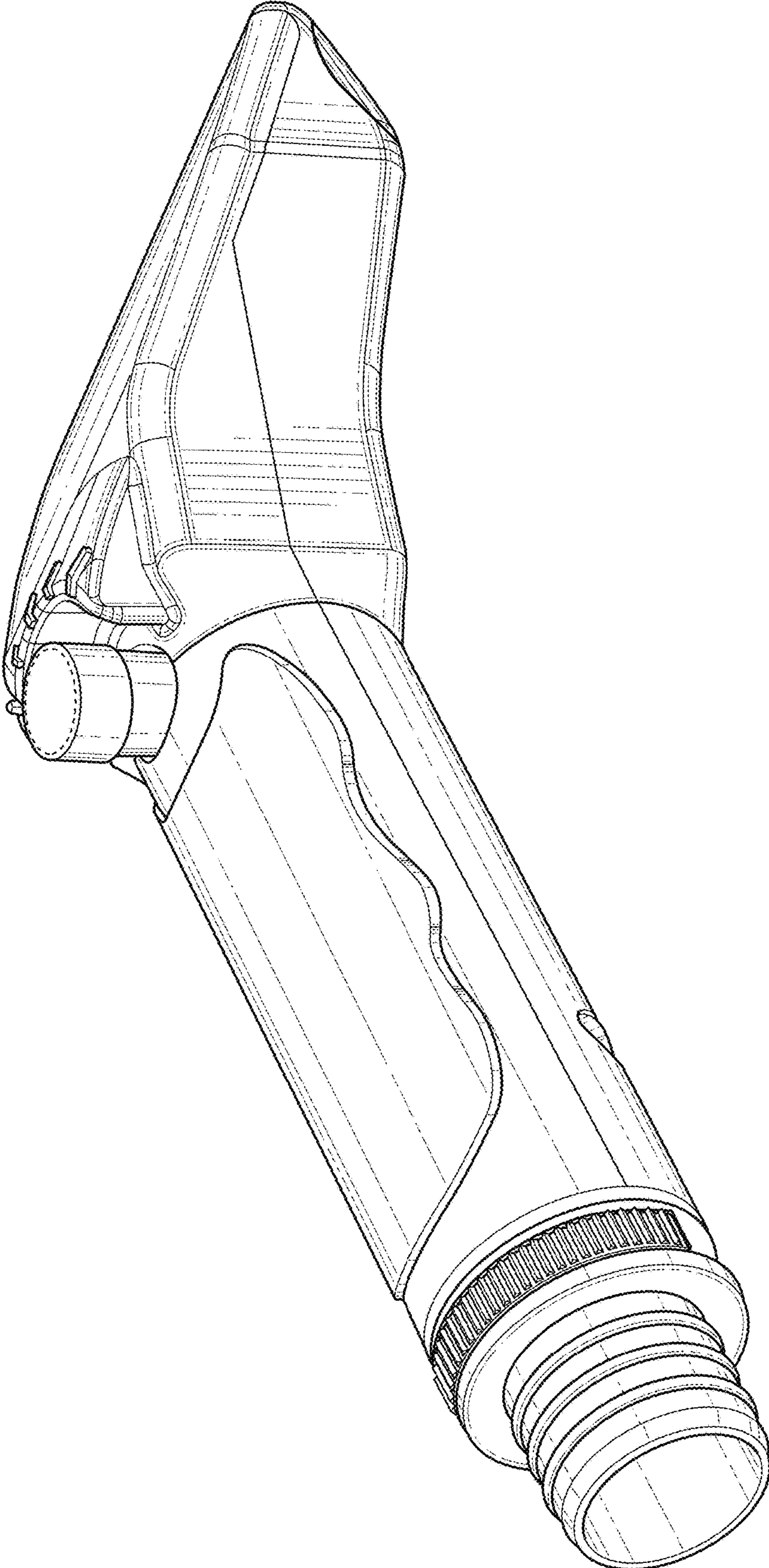


FIG. 2

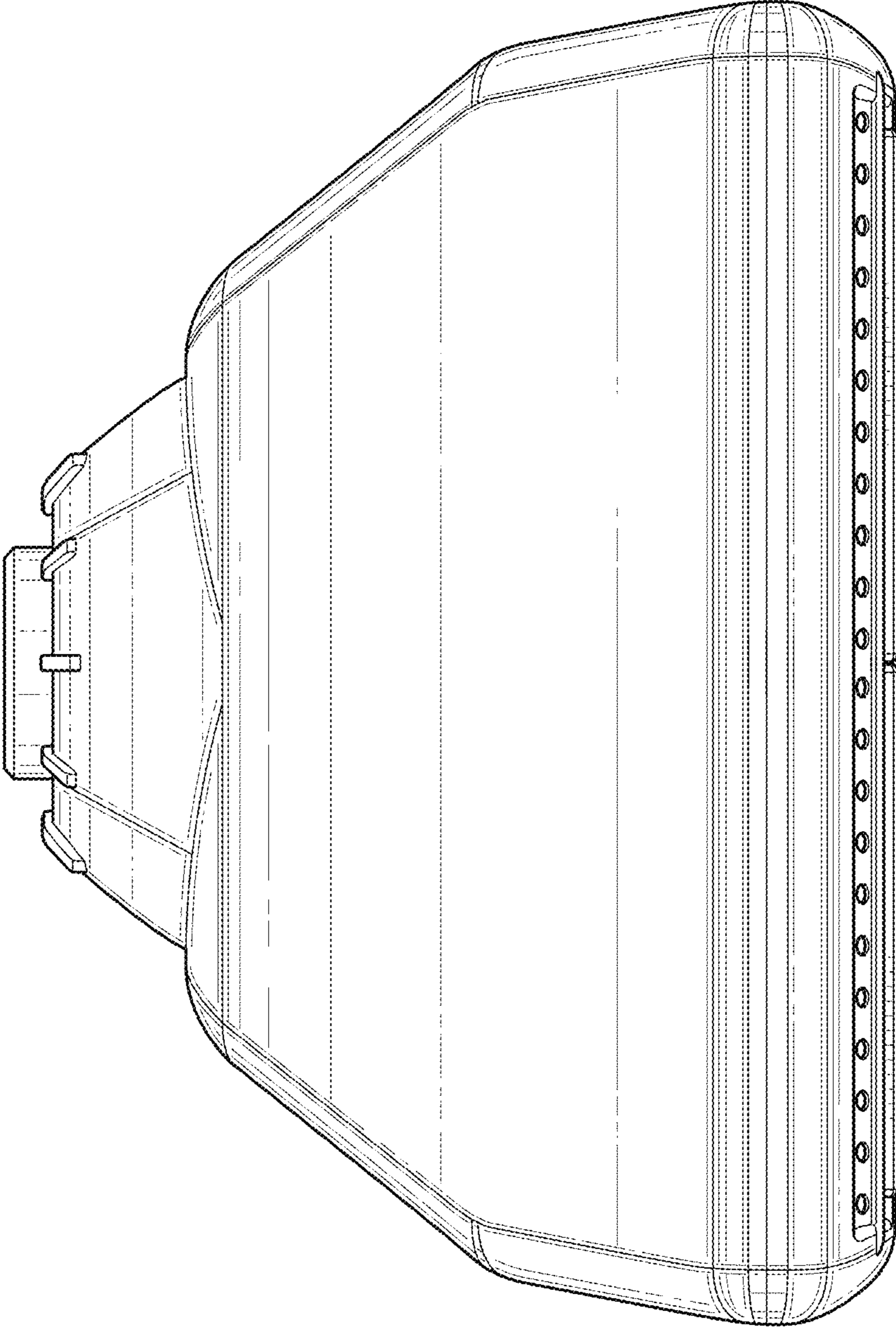


FIG. 3

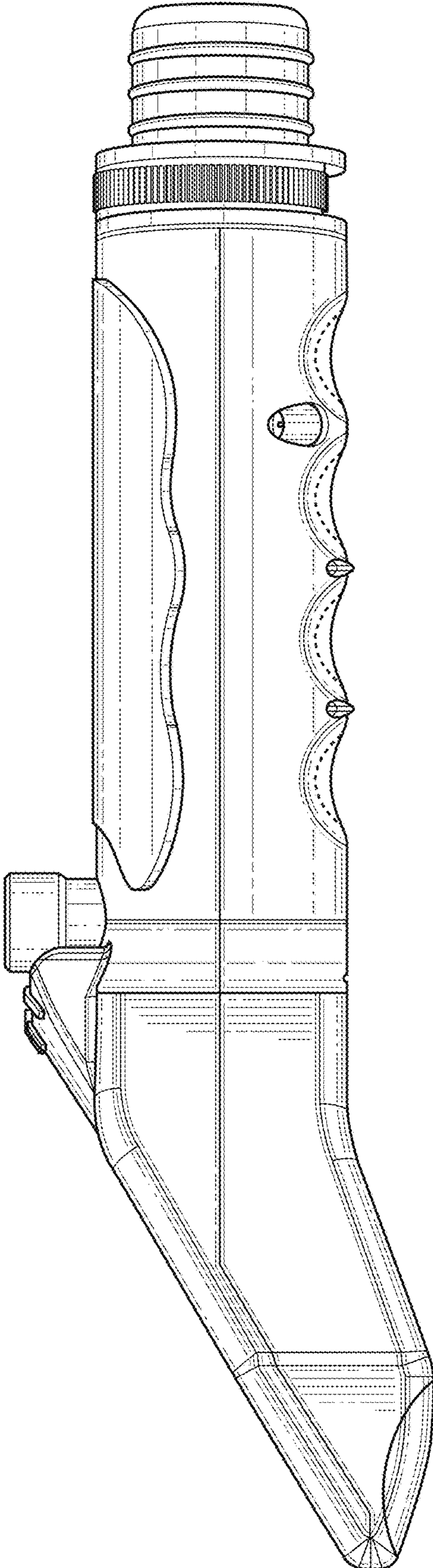


FIG. 4

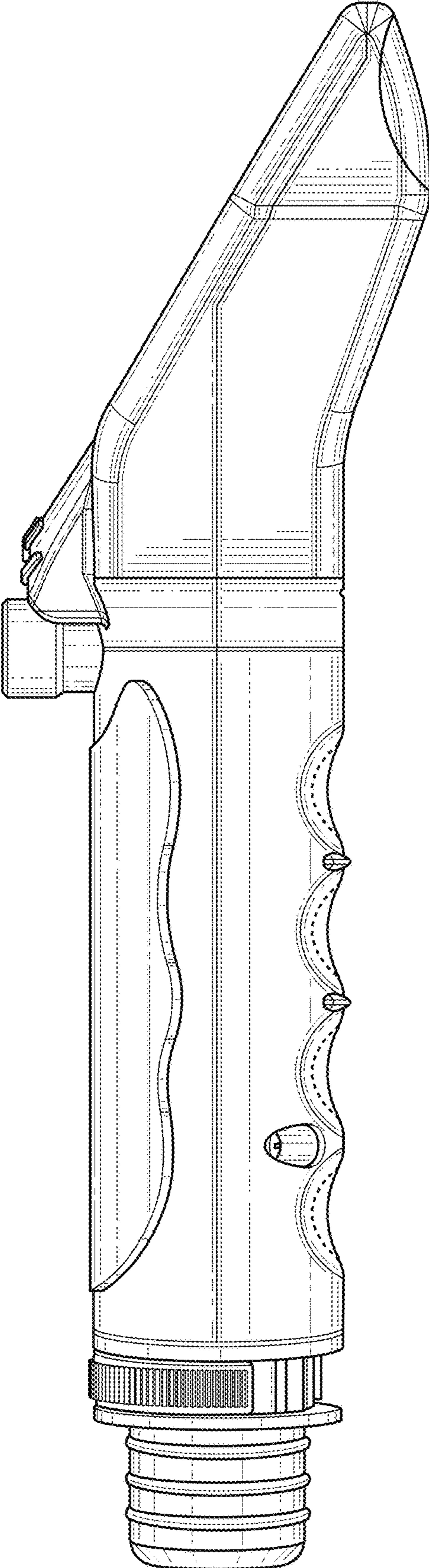


FIG. 5

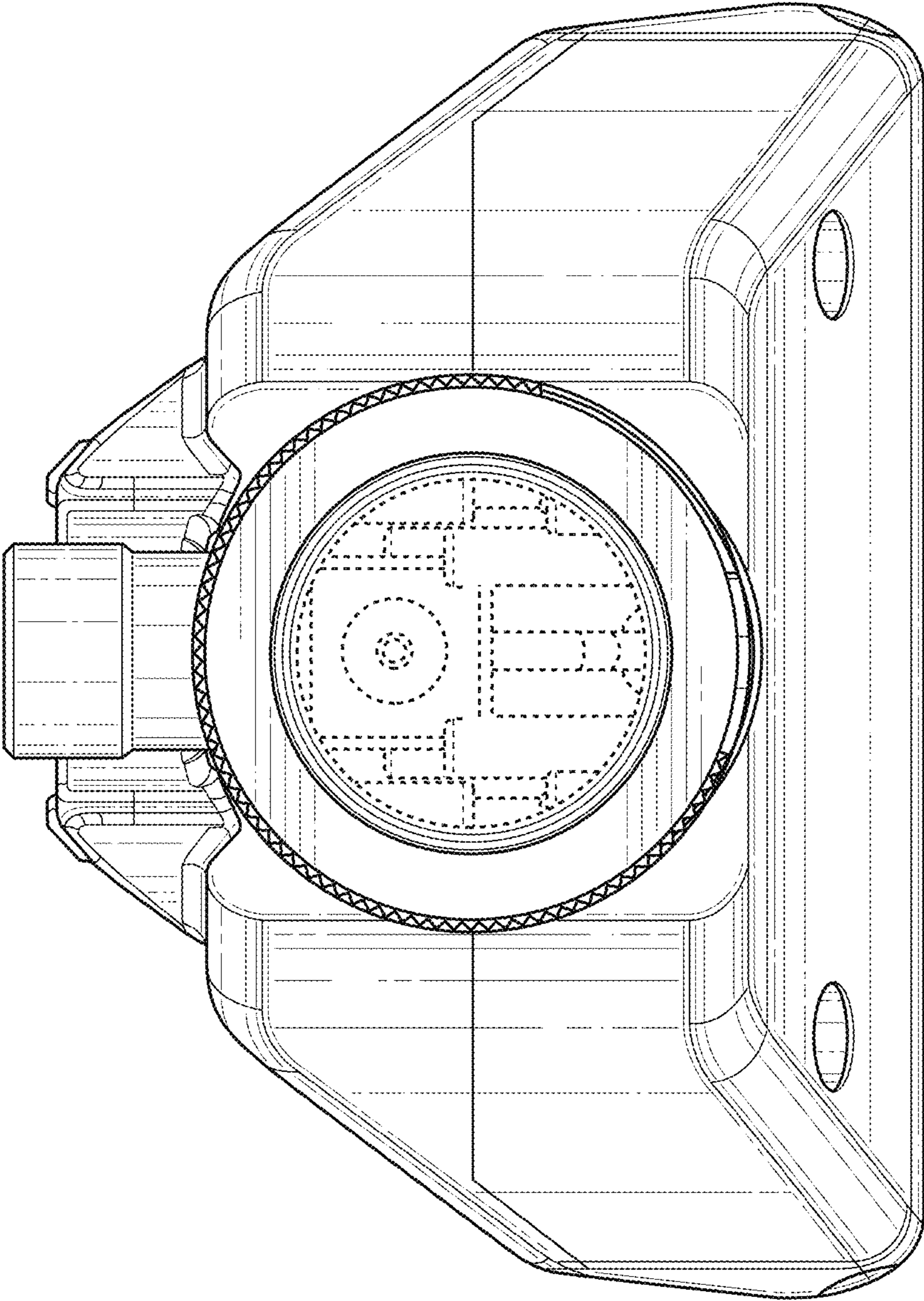


FIG. 6

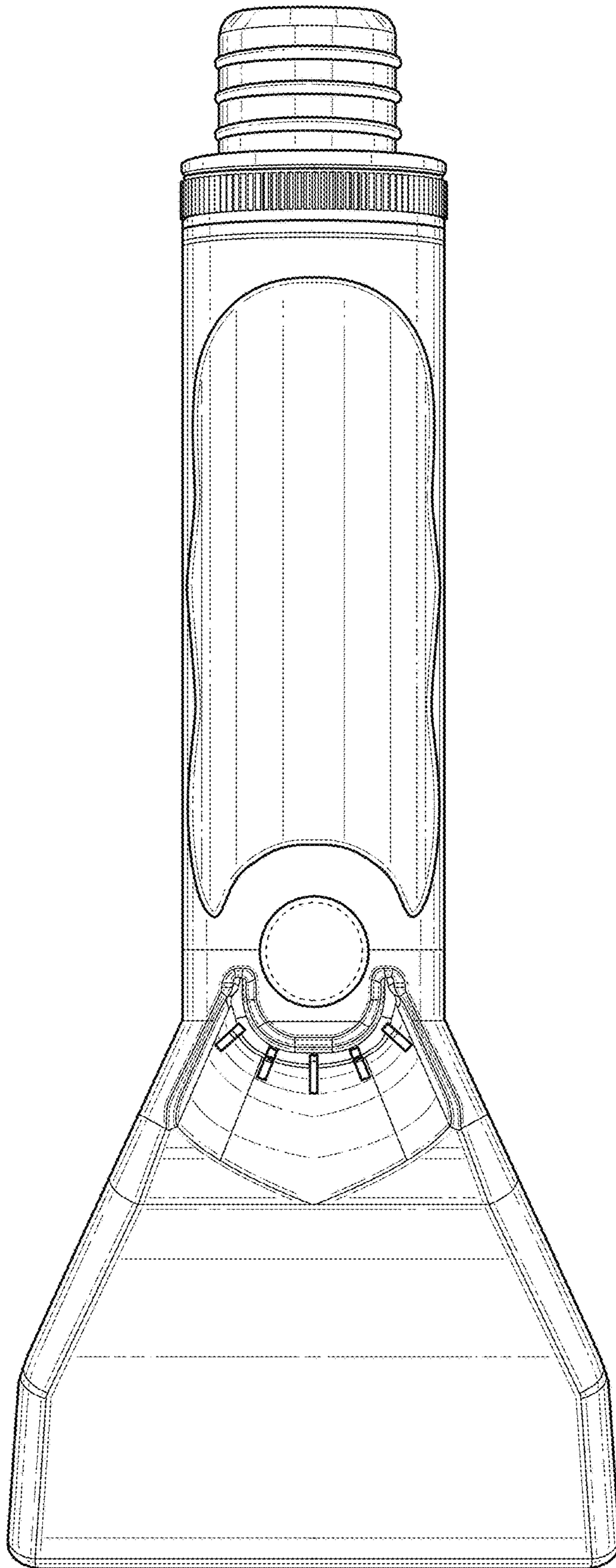


FIG. 7



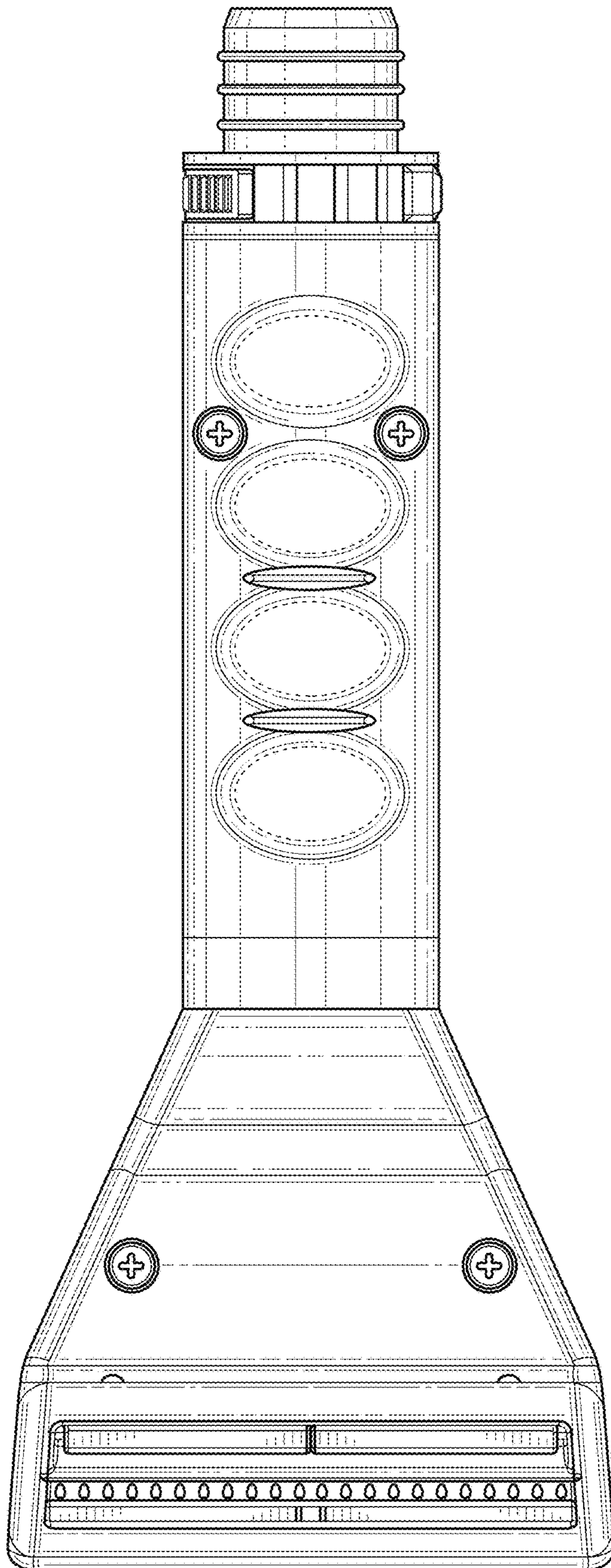


FIG. 8