



US00D793635S

(12) **United States Design Patent** (10) **Patent No.:** **US D793,635 S**
Dammkoehler et al. (45) **Date of Patent:** **** Aug. 1, 2017**

(54) **FLOOR CLEANING MACHINE**
(71) Applicant: **Alfred Kaercher GmbH & Co. KG**,
Winnenden (DE)
(72) Inventors: **Denis Dammkoehler**, Backnang (DE);
Zheyi Jin, Schwaikheim (DE)
(73) Assignee: **Alfred Kaercher GmbH & Co. KG**,
Winnenden (DE)

D712,605 S * 9/2014 Dammkoehler D32/21
D734,573 S * 7/2015 Dammkoehler D32/16
D737,005 S * 8/2015 Dammkoehler D32/16
2005/0081319 A1 * 4/2005 Legatt A47L 11/03
15/320
2008/0104792 A1 * 5/2008 Coccapani A47L 11/30
15/320
2011/0030163 A1 * 2/2011 Tucker A47L 11/305
15/320
2011/0132402 A1 * 6/2011 Ickes, III A47L 11/40
134/18
2012/0317746 A1 * 12/2012 Hill A47L 11/302
15/320

(**) Term: **15 Years**

(Continued)

(21) Appl. No.: **29/548,203**

(22) Filed: **Dec. 11, 2015**

(30) **Foreign Application Priority Data**

Jun. 26, 2015 (WO) 903354601

(51) **LOC (10) Cl.** **15-05**

(52) **U.S. Cl.**
USPC **D32/16**

(58) **Field of Classification Search**
USPC D32/1, 2, 6, 12, 15-16; D15/199;
D24/217

CPC .. A46B 13/001; A47L 11/4038; A47L 11/305;
A47L 11/30; A47L 11/4055

See application file for complete search history.

(56) **References Cited**

U.S. PATENT DOCUMENTS

4,380,844 A * 4/1983 Waldhauser A47L 11/30
15/320
D290,054 S * 5/1987 Block D32/15
D593,717 S * 6/2009 Vernazza D32/16
D642,343 S * 7/2011 Dammkoehler D32/16
D659,308 S * 5/2012 Dammkoehler D32/16
D661,853 S * 6/2012 Dammkoehler D32/16
D693,071 S * 11/2013 Dammkoehler D32/16
D694,969 S * 12/2013 Dammkoehler D32/16

OTHER PUBLICATIONS

Extract from catalog of Alfred Kaercher GmbH & Co. KG, "Pro-
gramme 2012 Kaercher Professional (Professional)", cover, pp.
219, 220 and last page (Nov. 2011).

(Continued)

Primary Examiner — Michael A. Pratt

Assistant Examiner — Michelle E Wilson

(74) *Attorney, Agent, or Firm* — Lipsitz & McAllister,
LLC

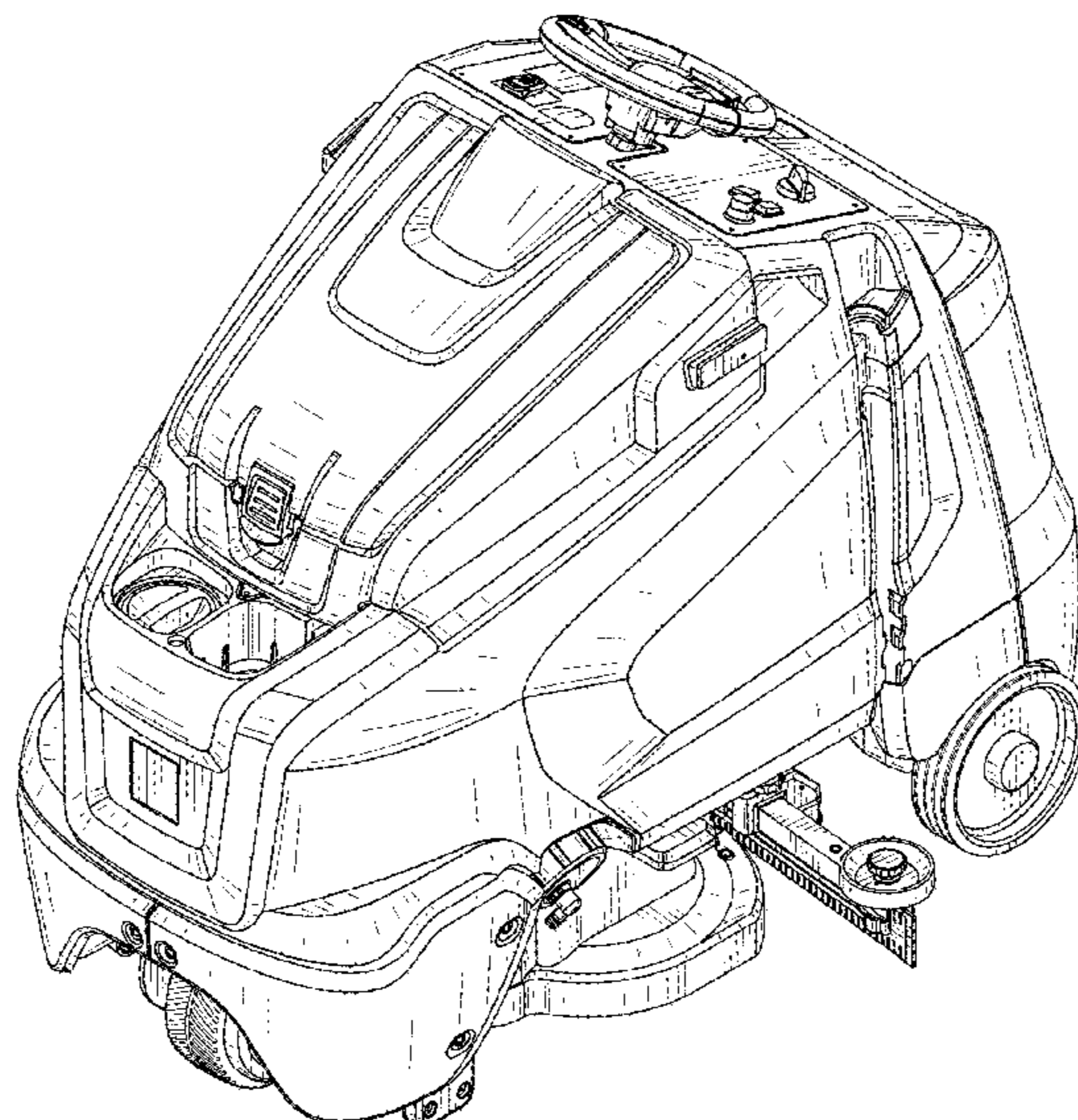
(57) **CLAIM**

The ornamental design for a floor cleaning machine, as
shown and described.

DESCRIPTION

FIG. 1 is a front, top and right side perspective view of a
floor cleaning machine showing the new design;
FIG. 2 is a front, top and left side perspective view thereof;
FIG. 3 is a front elevational view thereof;
FIG. 4 is a right side elevational view thereof;
FIG. 5 is a rear elevational view thereof;
FIG. 6 is a left side elevational view thereof; and,
FIG. 7 is a top plan view thereof.

1 Claim, 7 Drawing Sheets



(56)

References Cited

U.S. PATENT DOCUMENTS

2014/0026336 A1* 1/2014 Maurer A47L 11/40
15/3
2014/0144467 A1* 5/2014 Merz A47L 11/4055
134/6
2016/0073845 A1* 3/2016 Walz A47L 11/305
134/18
2016/0278598 A1* 9/2016 Werner A47L 11/2025

OTHER PUBLICATIONS

Extract from catalog of Alfred Kaercher GmbH & Co. KG, "Programme 2012 Kaercher Professional (Professional, Industrial)", cover, pp. 16, 26, 30, 36 and last p. (Nov. 2011).

Extract from catalog of Alfred Kaercher GmbH & Co. KG, "Programme 2013/2014 Kaercher Professional (60 Hz)", cover, pp. 3-6, 172-176, 186, 188, 189, 192, 196, 198-202, 204, 206, 208-210 and last page. (Aug. 2013).

Extract from catalog of Alfred Kaercher GmbH & Co. KG, "Programme 2014/2015 Kaercher Professional (60 Hz)", cover, pp. 13, 258, 262-264, 266, 267, 270, 271, 274, 276-280, 284, 285, 288, 289, 292, 294, 296-306, 375-377 and last page (May 2014).

Extract from catalog of Alfred Kaercher GmbH & Co. KG, "Programme 2015 Kaercher Professional", cover, pp. 11, 379, 382, 386, 390, 394, 396, 400-402, 406, 410, 414, 418, 420, 422-426, 428-430, 432-434, 436, 437 and last page (Nov. 2014).

* cited by examiner

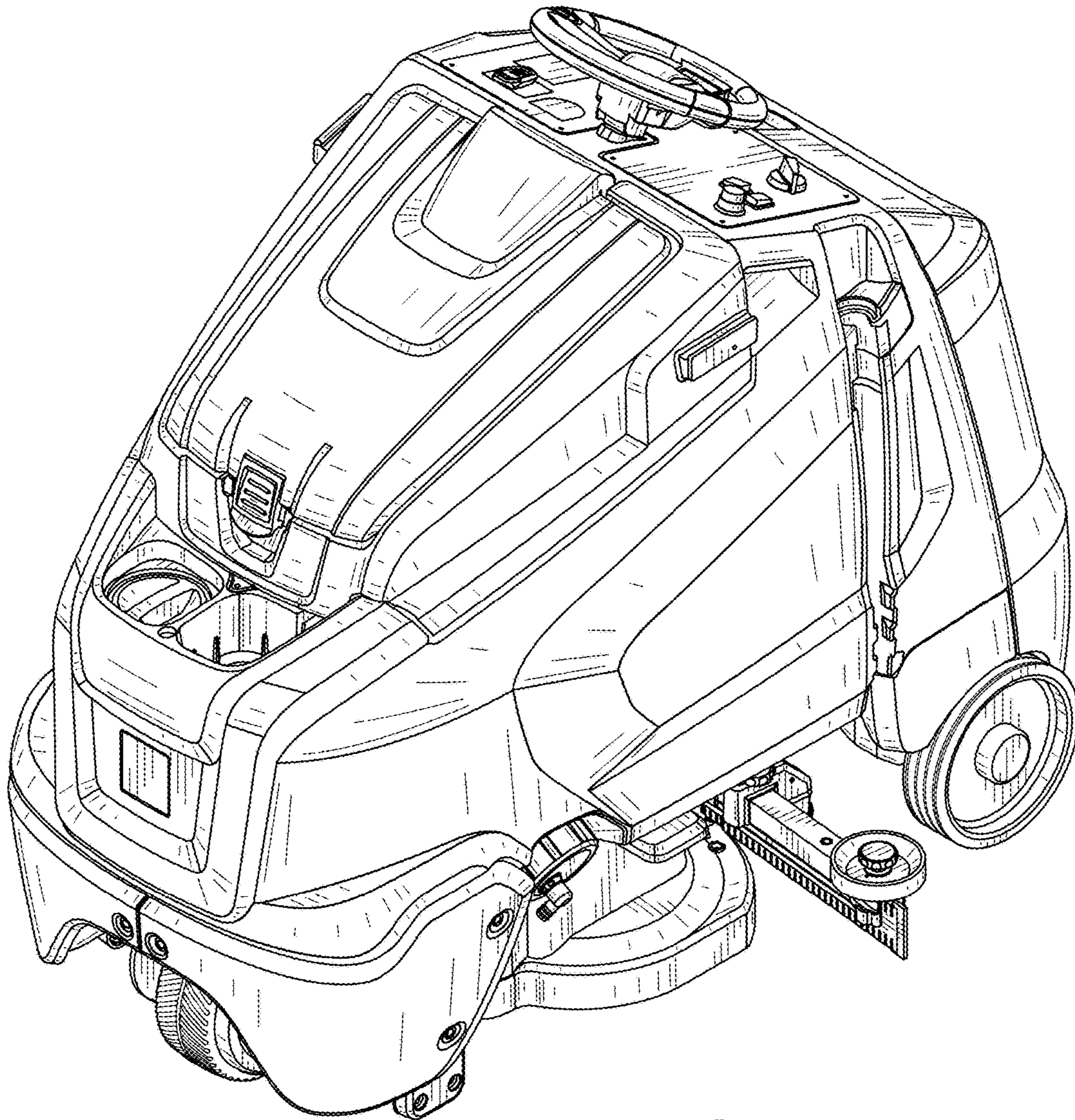


FIG. 1

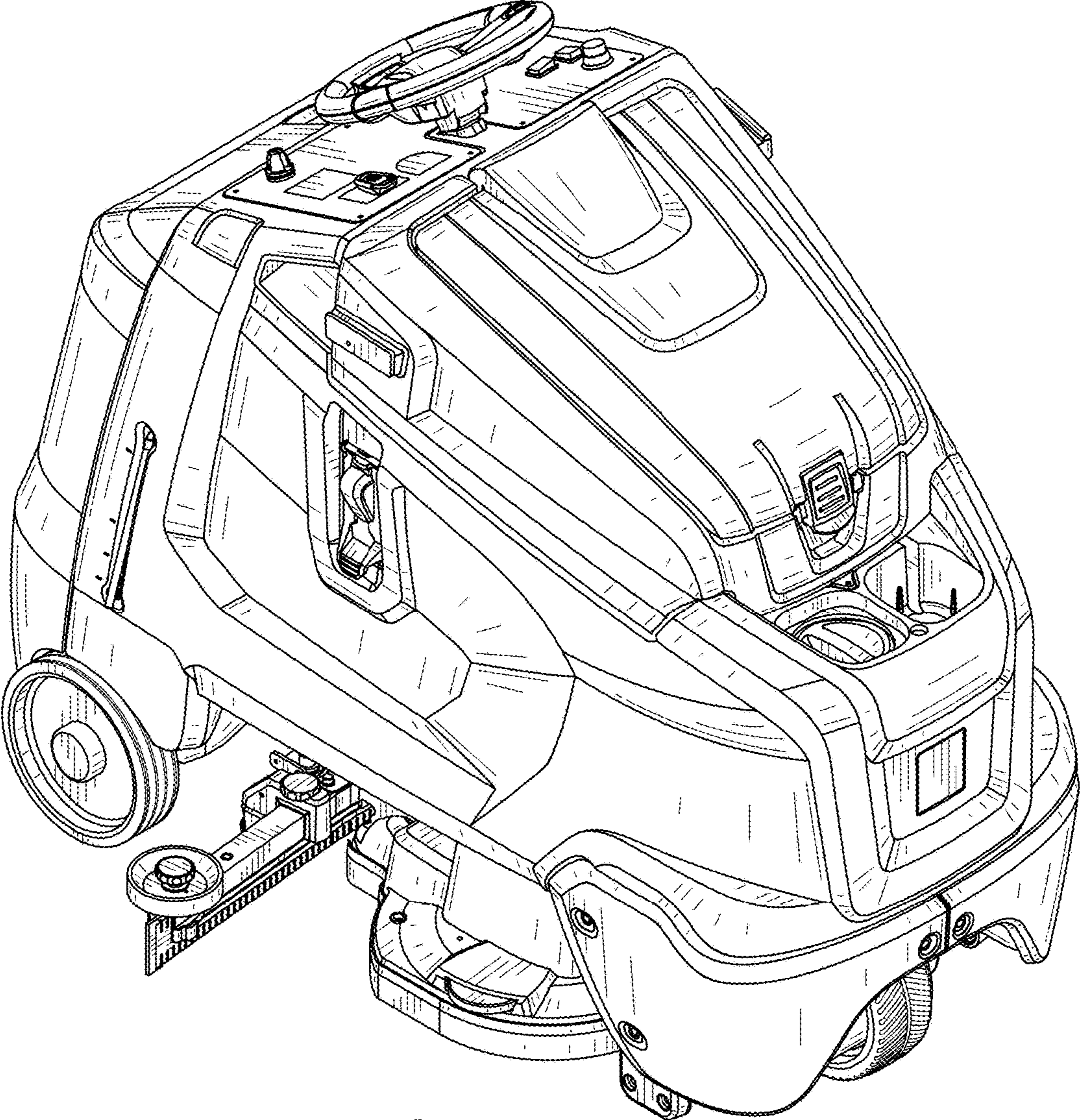


FIG. 2

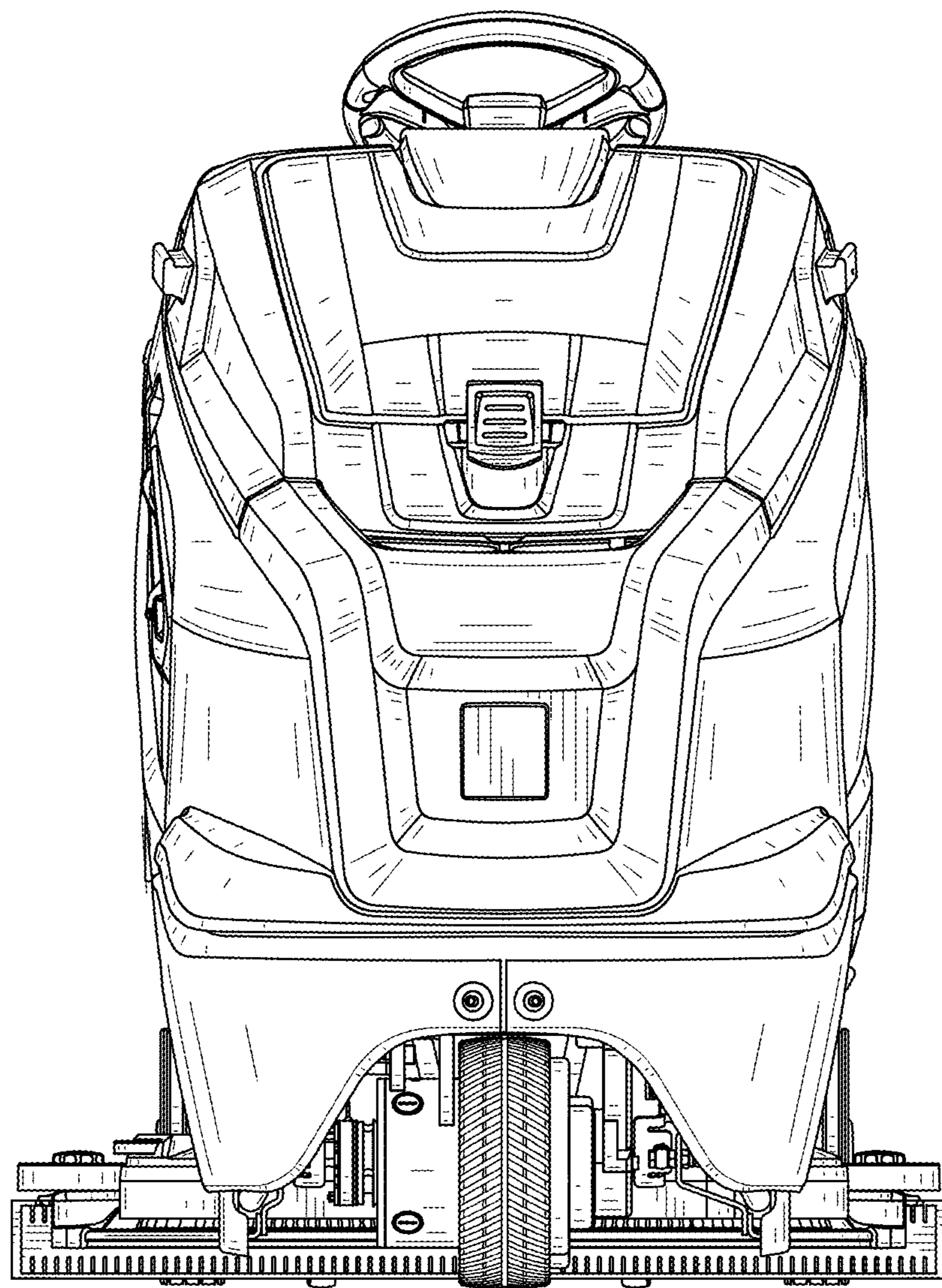


FIG. 3

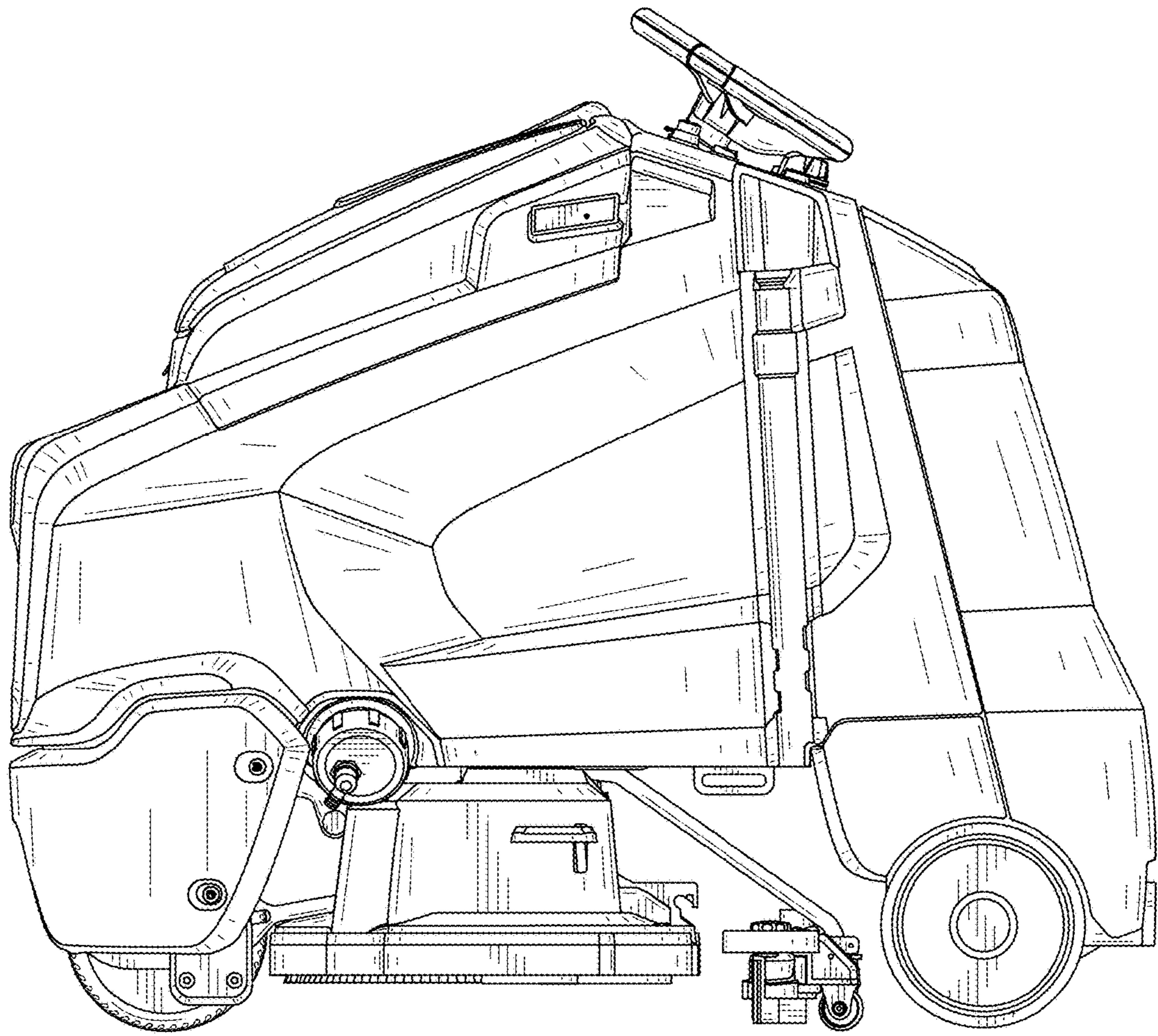


FIG. 4

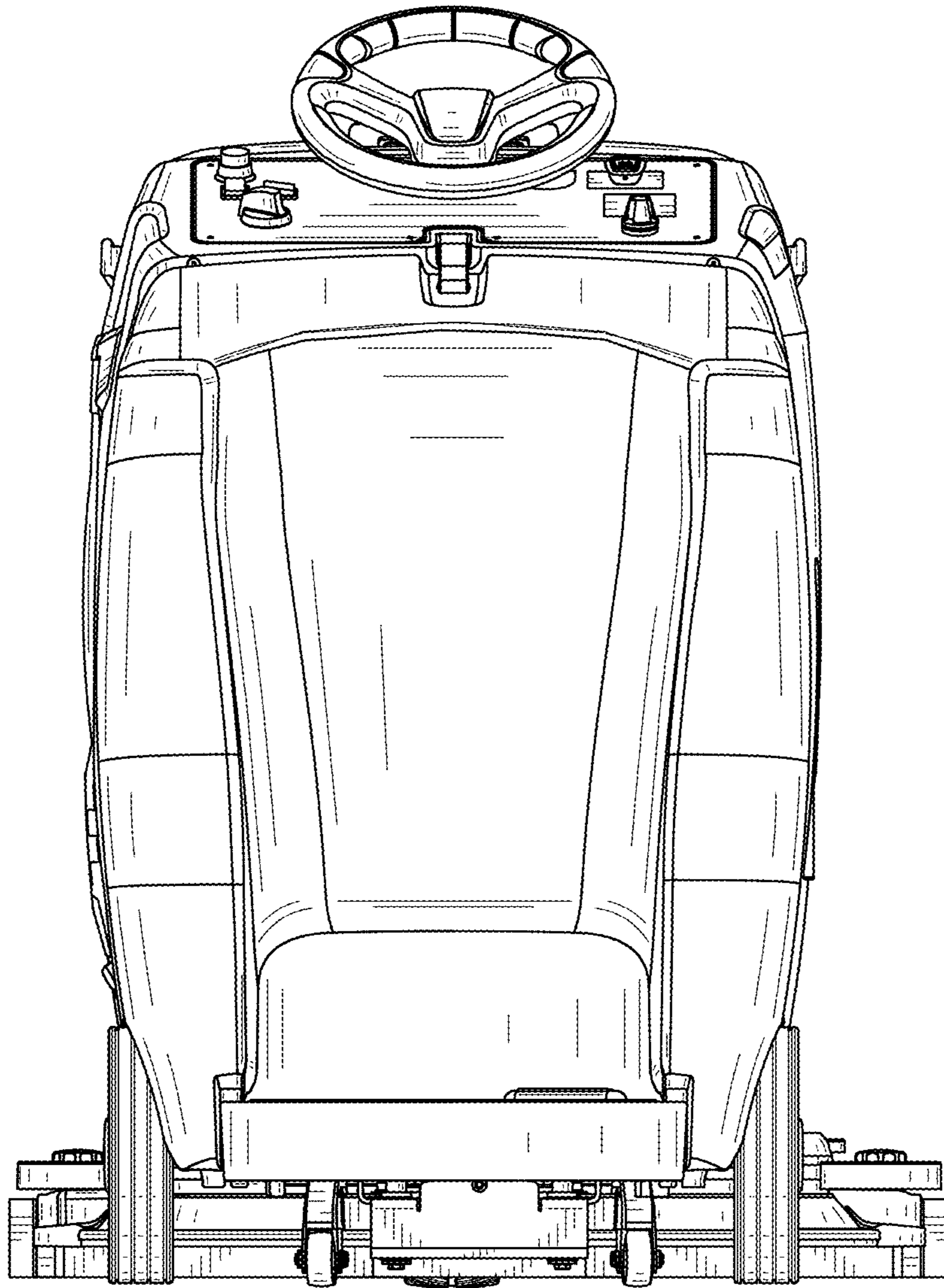


FIG. 5

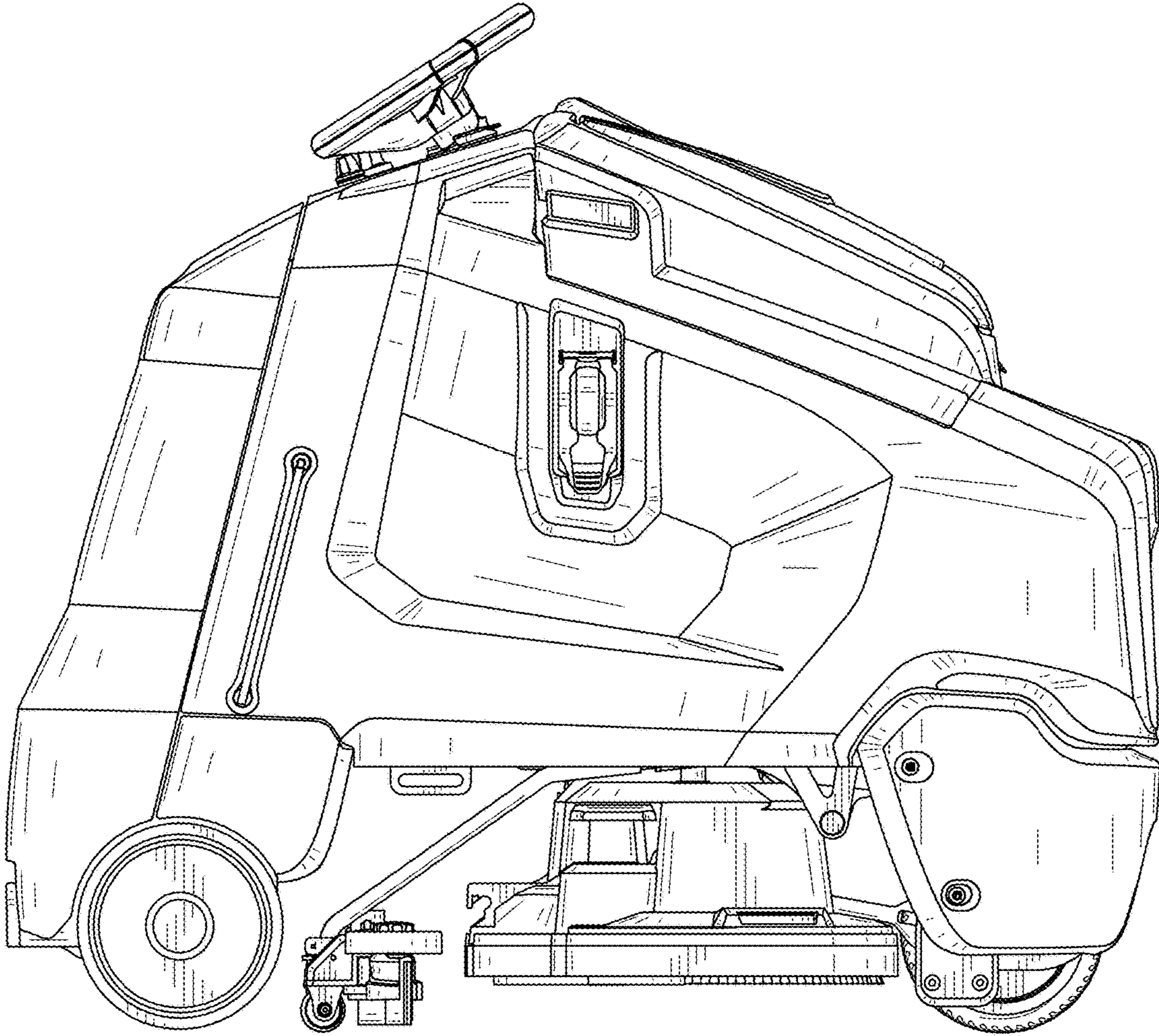


FIG. 6

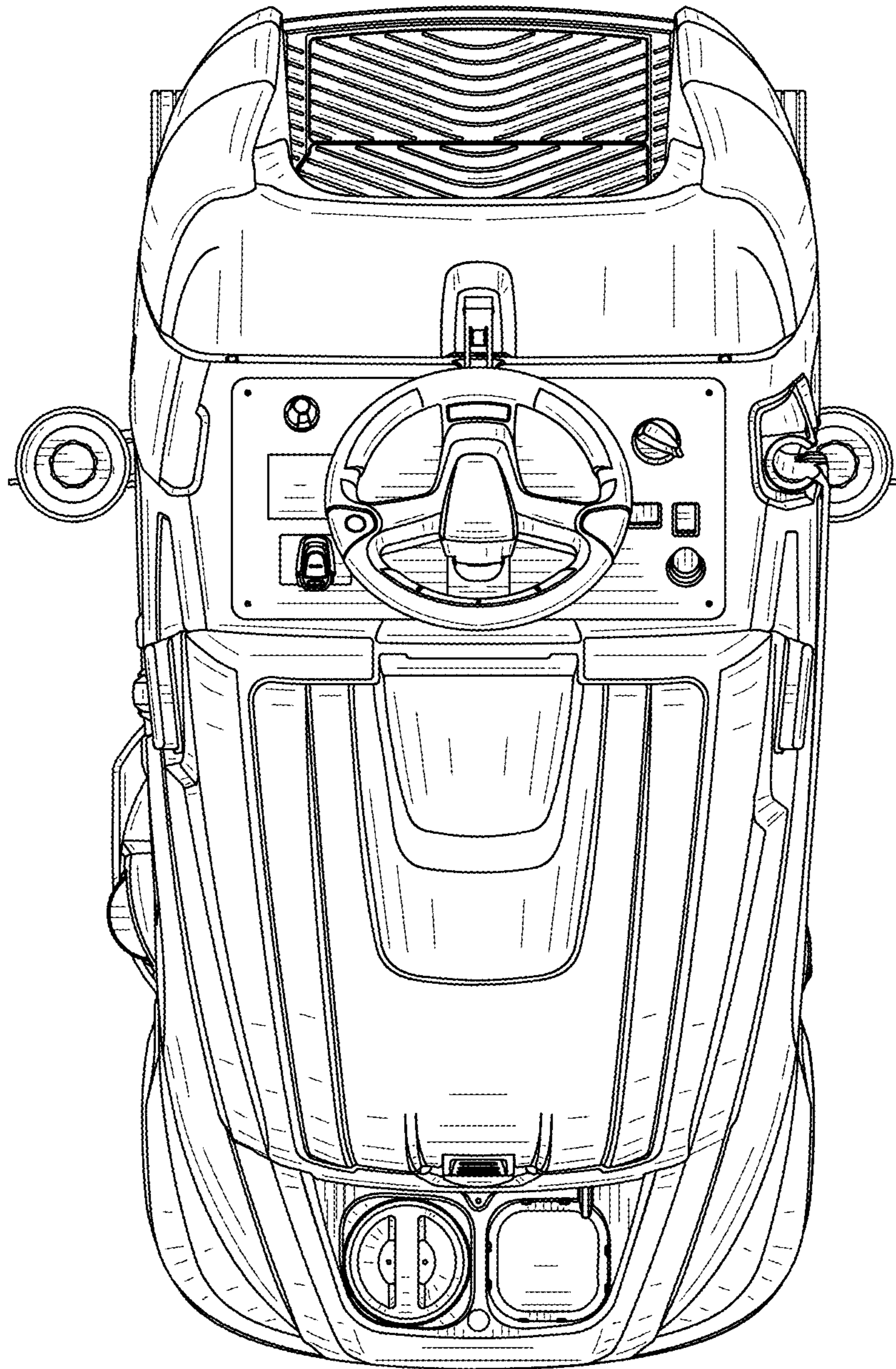


FIG. 7