



US00D793633S

(12) **United States Design Patent**  
**Jang et al.**

(10) **Patent No.:** **US D793,633 S**  
(45) **Date of Patent:** **\*\* Aug. 1, 2017**

- (54) **WASHING MACHINE**
- (71) Applicant: **SAMSUNG ELECTRONICS CO., LTD.**, Suwon-si (KR)
- (72) Inventors: **Hayoung Jang**, Seoul (KR); **Kangdo Kim**, Seoul (KR)
- (73) Assignee: **SAMSUNG ELECTRONICS CO., LTD.**, Gyeonggi-Do (KR)
- (\*\*) Term: **15 Years**
- (21) Appl. No.: **29/555,615**
- (22) Filed: **Feb. 23, 2016**
- (30) **Foreign Application Priority Data**  
Aug. 26, 2015 (KR) ..... 30-2015-0042956
- (51) **LOC (10) Cl.** ..... **15-05**
- (52) **U.S. Cl.**  
USPC ..... **D32/6**
- (58) **Field of Classification Search**  
USPC ..... D32/1, 5-6, 8, 25, 28, 29, 67  
CPC .... D06F 33/02; D06F 39/02; D06F 2204/065;  
D06F 25/00; D06F 35/006  
See application file for complete search history.
- (56) **References Cited**  
**U.S. PATENT DOCUMENTS**  
D490,946 S \* 6/2004 Suh ..... D32/6  
D491,324 S \* 6/2004 Kim ..... D32/6  
D536,144 S \* 1/2007 Seo ..... D32/6  
D537,991 S \* 3/2007 Jun ..... D32/6  
D547,915 S \* 7/2007 Jun ..... D32/6  
D556,394 S \* 11/2007 Kim ..... D32/6  
D571,964 S \* 6/2008 Kim ..... D32/6

- 2008/0295544 A1\* 12/2008 Cho ..... D06F 37/42  
68/12.26
- 2009/0145174 A1\* 6/2009 Kim ..... D06F 23/02  
68/27
- 2013/0327101 A1\* 12/2013 Leibman ..... D06F 71/10  
68/17 R

\* cited by examiner

*Primary Examiner* — Michael A. Pratt  
*Assistant Examiner* — Michelle E Wilson  
(74) *Attorney, Agent, or Firm* — Cantor Colburn LLP

(57) **CLAIM**

The ornamental design for a washing machine, as shown and described.

**DESCRIPTION**

FIG. 1 is a perspective view of a washing machine, showing our new design;  
FIG. 2 is a front view thereof;  
FIG. 3 is a rear view thereof;  
FIG. 4 is a side view thereof;  
FIG. 5 is another side view thereof;  
FIG. 6 is a top view thereof;  
FIG. 7 is a bottom view thereof;  
FIG. 8 is an enlarged cross-sectional view taken along line 8-8 in FIG. 6; and,  
FIG. 9 is an enlarged view of the encircled portion 9 in FIG. 8.

The broken lines in the figures illustrating portions of the washing machine form no part of the claimed design.

The dash-dot-dot broken lines encircling enlargement portions of the washing machine form no part of the claimed design.

The jagged dot-dash broken lines indicate a removal boundary and form no part of the claimed design.

**1 Claim, 9 Drawing Sheets**

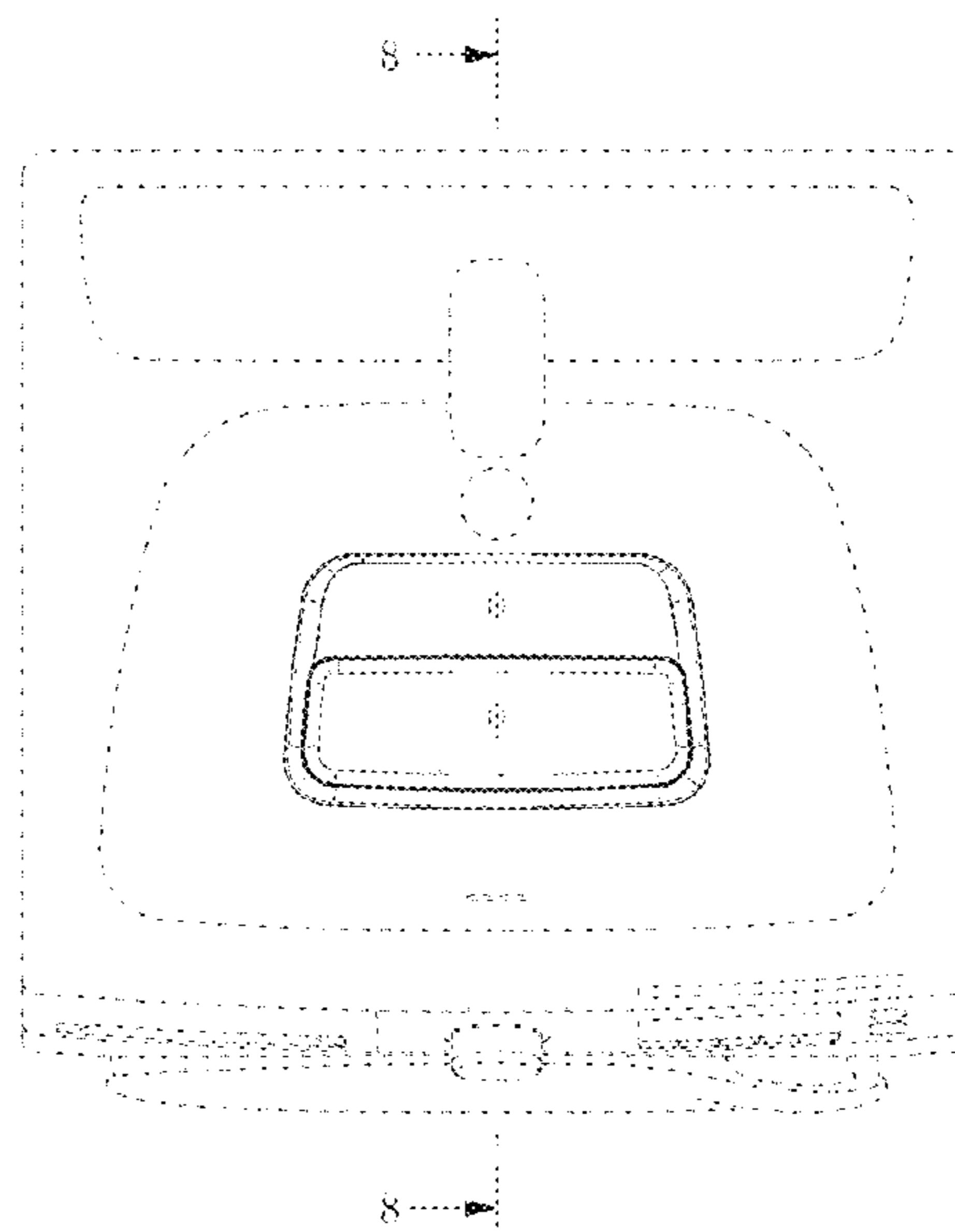
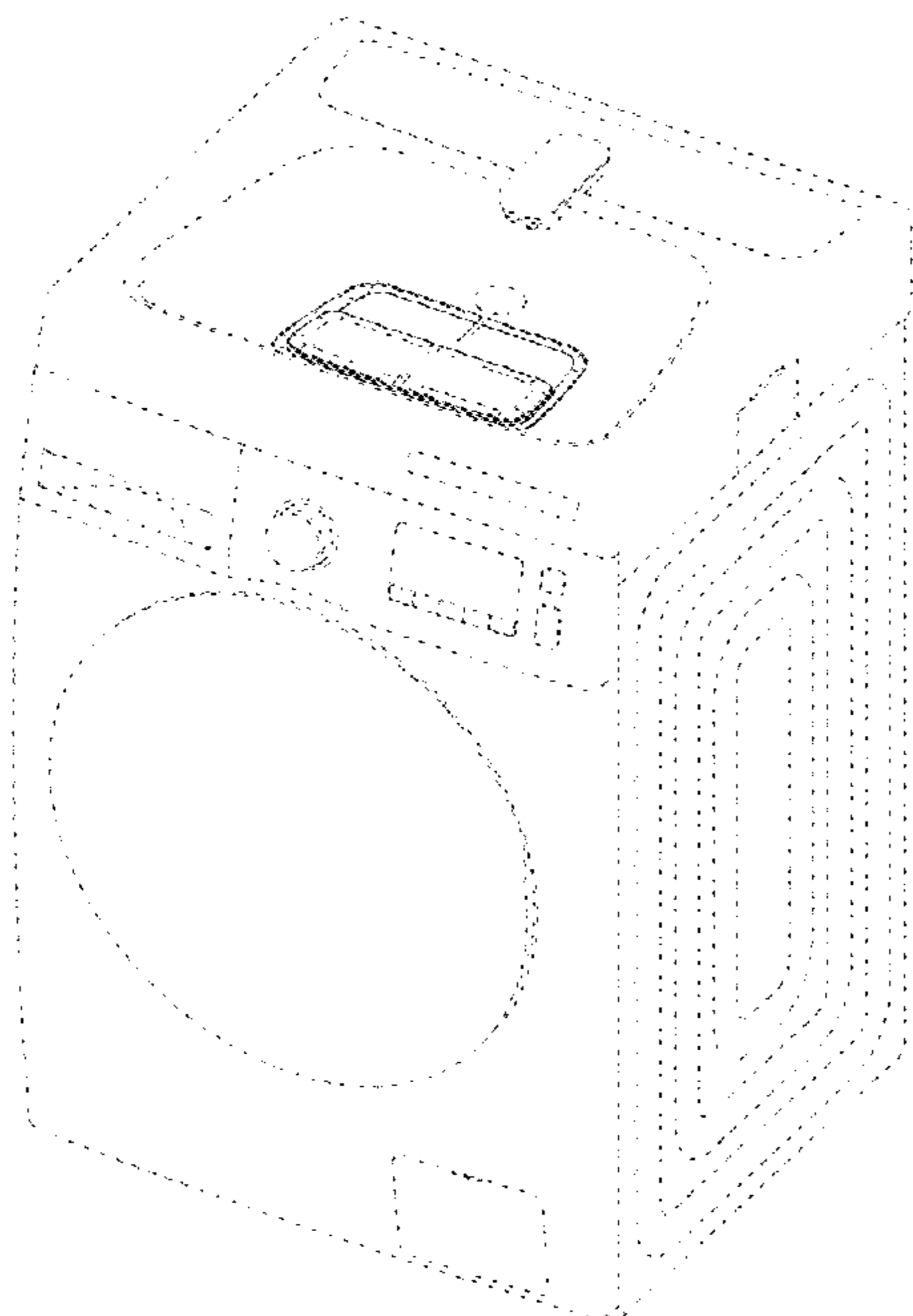


FIG. 1

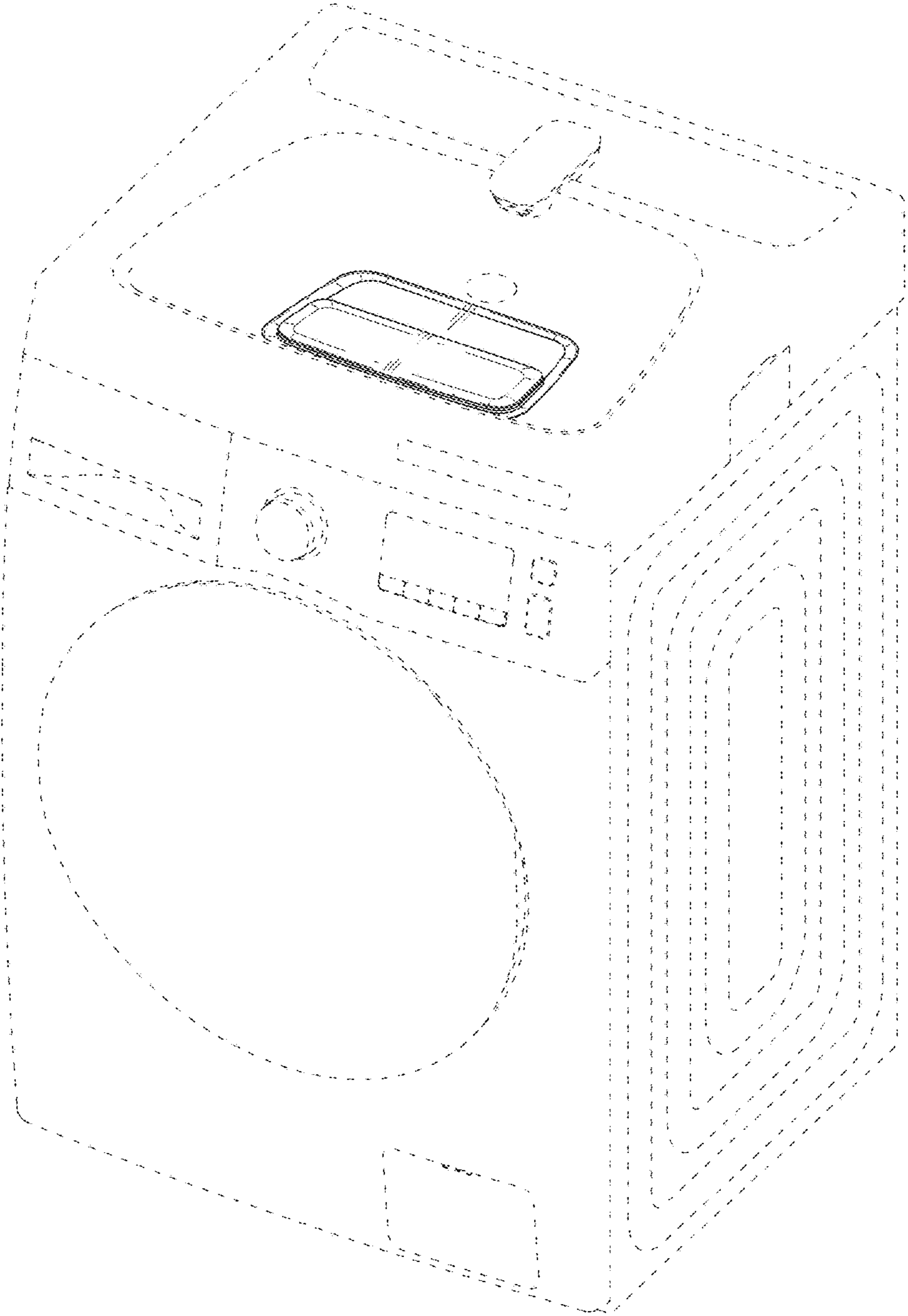


FIG. 2

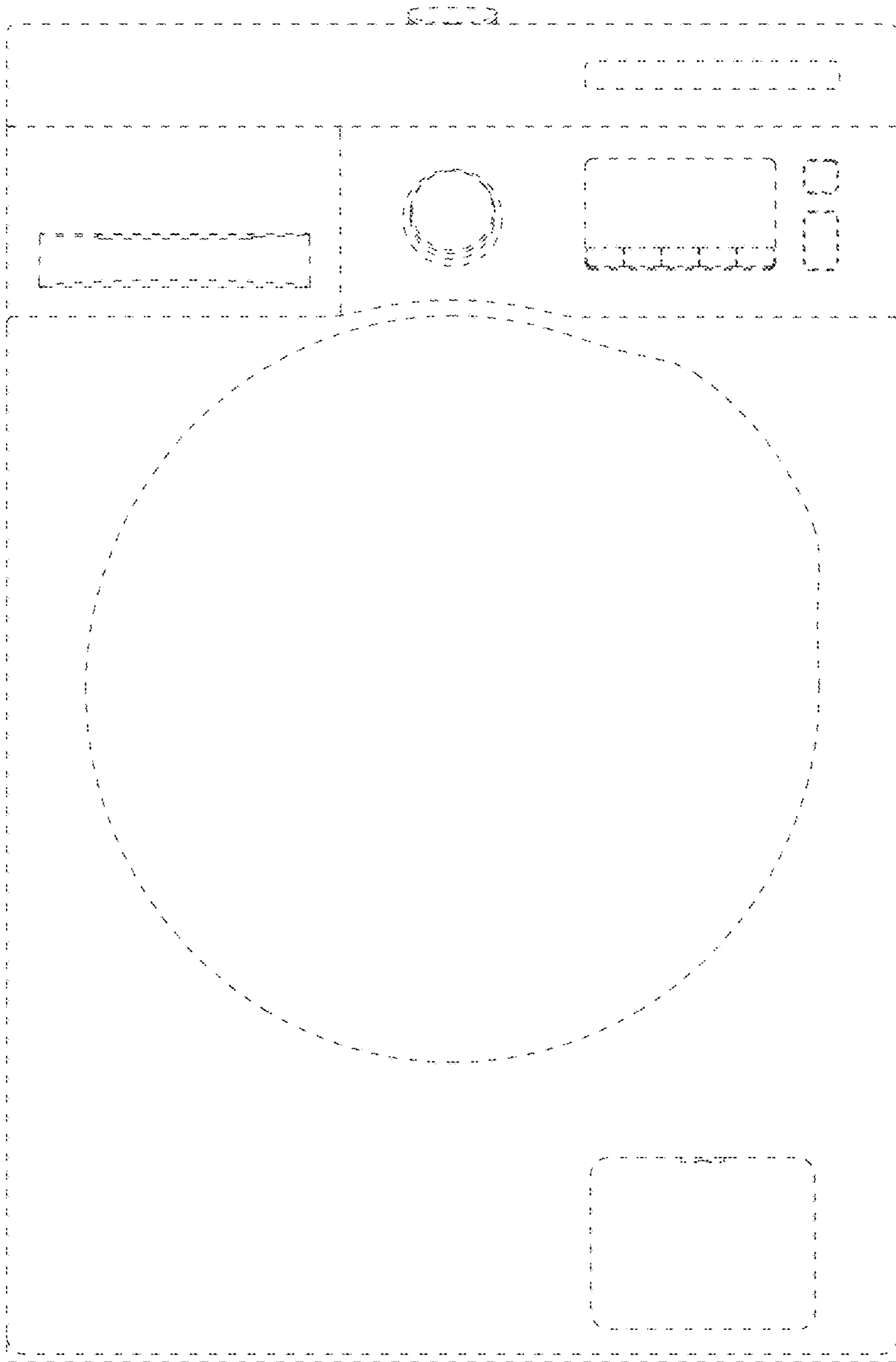


FIG. 3



FIG. 4

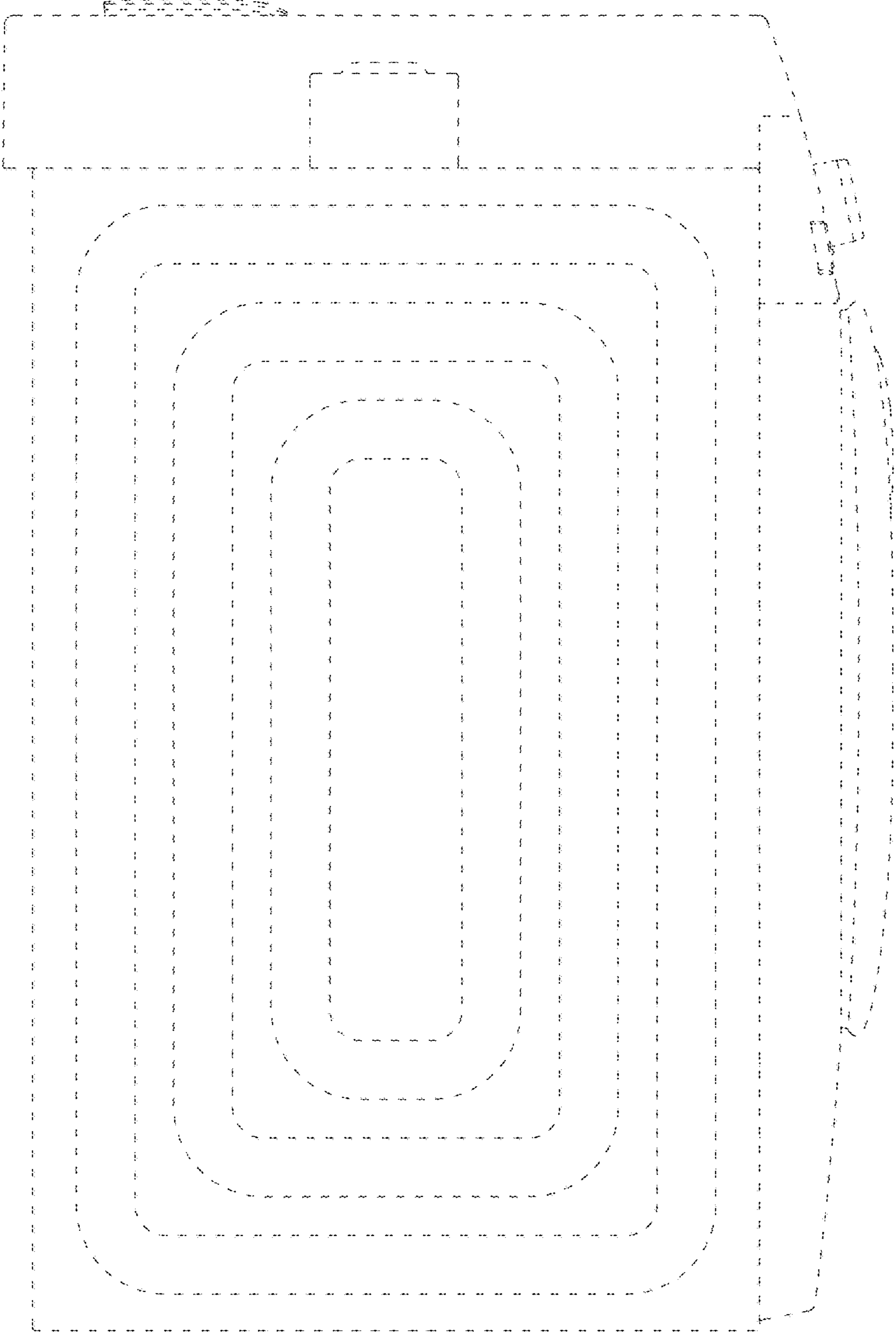


FIG. 5

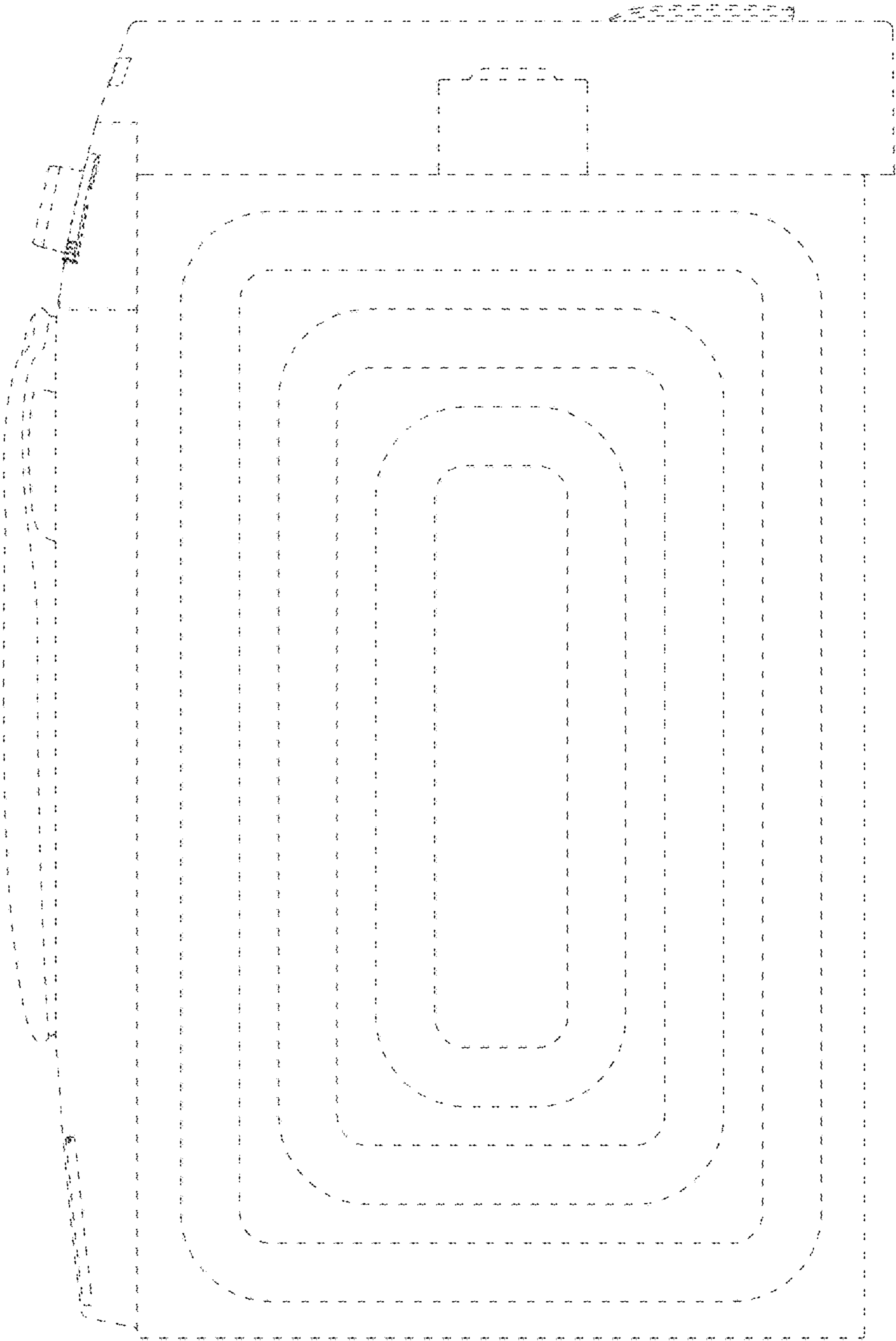


FIG. 6

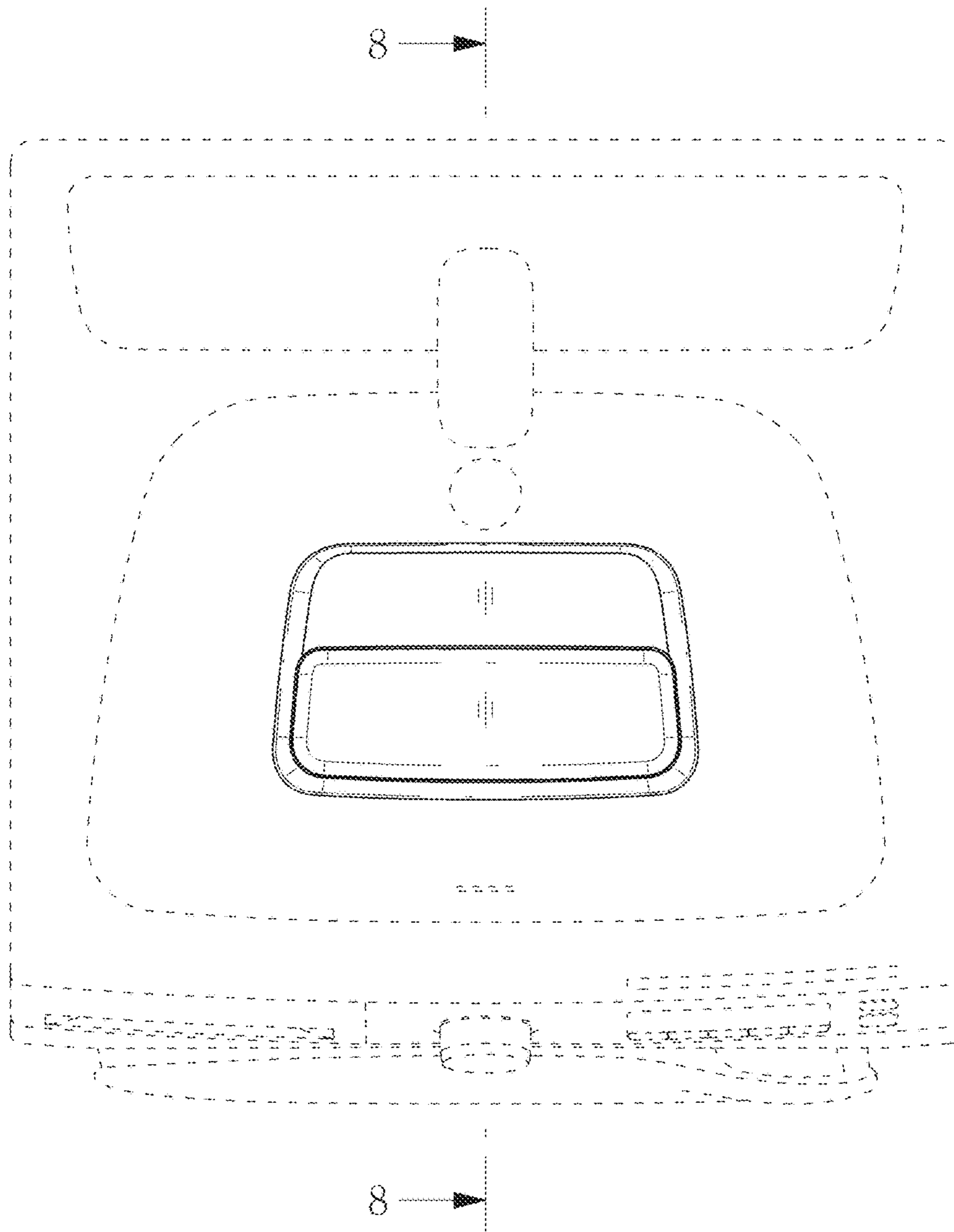


FIG. 7

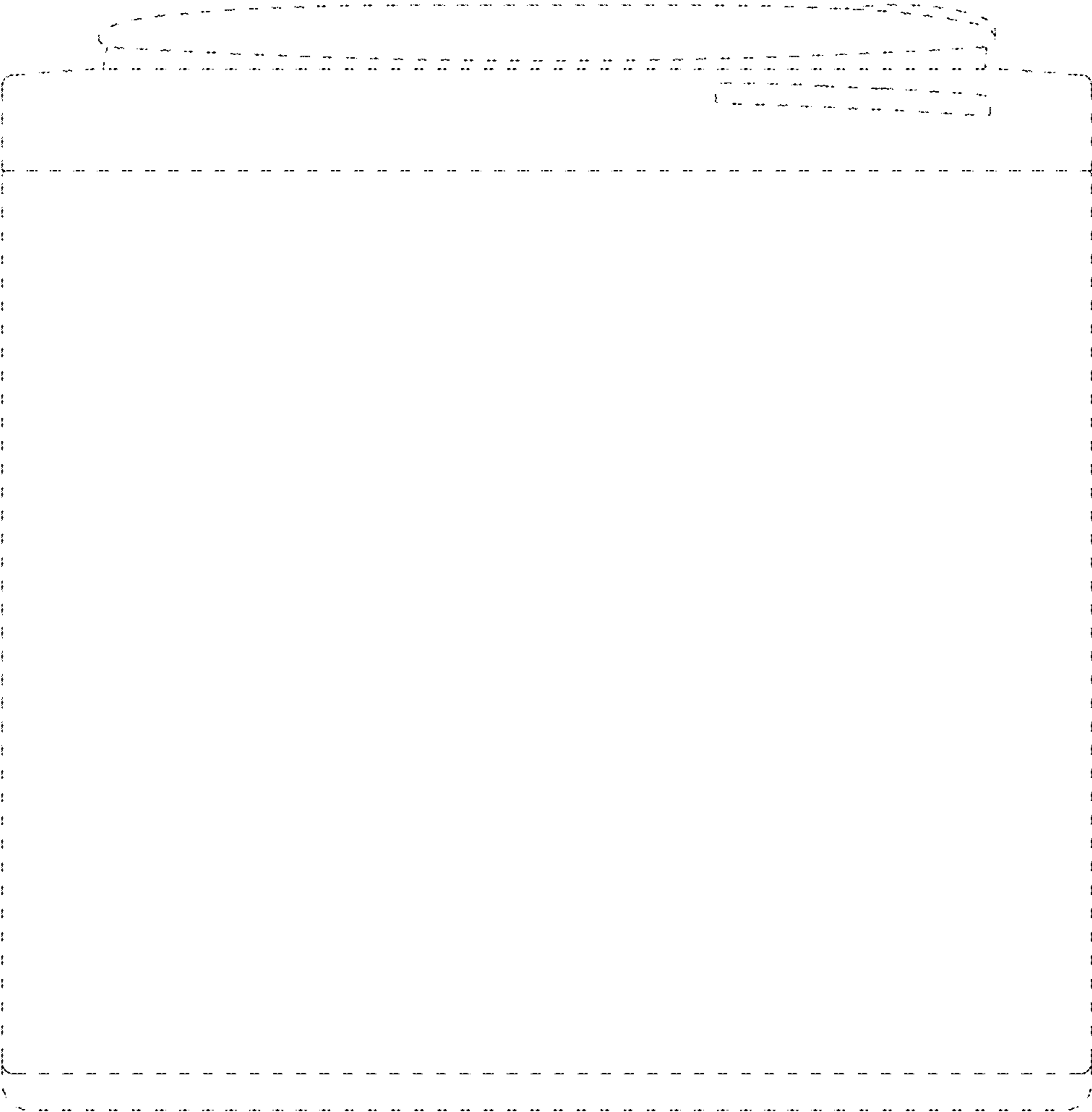




FIG. 8

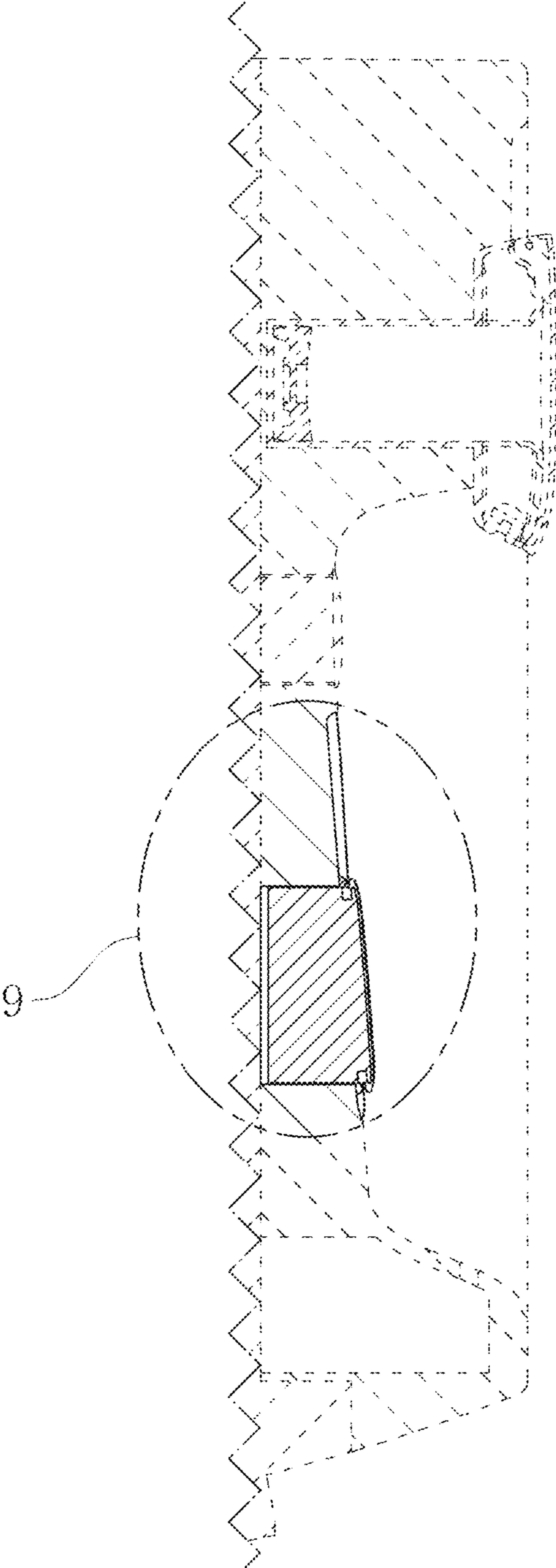


FIG. 9

