



US00D793631S

(12) **United States Design Patent** (10) **Patent No.:** **US D793,631 S**  
**Speed** (45) **Date of Patent:** **\*\* Aug. 1, 2017**

(54) **WEIGHTED ANIMAL VEST**

(71) Applicant: **Eul Eusan Speed**, Fort Worth, TX (US)

(72) Inventor: **Eul Eusan Speed**, Fort Worth, TX (US)

(\*\*) Term: **15 Years**

(21) Appl. No.: **29/543,107**

(22) Filed: **Nov. 4, 2015**

(51) **LOC (10) Cl.** ..... **30-01**

(52) **U.S. Cl.**

USPC ..... **D30/145**; D30/152

(58) **Field of Classification Search**

USPC ..... D30/144, 145, 146, 147, 151, 152, 161,  
D30/199; D24/124, 190; D2/718, 719,  
D2/860, 864, 896, 909, 919

CPC ..... **A01K 13/006**  
See application file for complete search history.

(56) **References Cited**

**U.S. PATENT DOCUMENTS**

D383,255 S *	9/1997	Caditz .....	D30/145
D457,988 S *	5/2002	Kerrigan .....	D30/145
D459,842 S *	7/2002	Kaplan .....	D30/145
D480,843 S *	10/2003	Sullivan .....	A01K 27/008
			D30/152
D585,606 S *	1/2009	Kennedy .....	D30/145
D606,712 S *	12/2009	Speed .....	D30/145
D685,157 S *	7/2013	Lamb .....	D2/718
D736,482 S *	8/2015	Lapresca .....	D30/152
2007/0204808 A1 *	9/2007	Harada .....	A01K 13/006
			119/850
2007/0272170 A1 *	11/2007	Milson .....	A01K 1/0353
			119/850
2014/0041599 A1 *	2/2014	Sebo .....	A01K 13/006
			119/850
2015/0245591 A1 *	9/2015	Dumas, Jr. ....	A01K 27/002
			119/851
2016/0015003 A1 *	1/2016	Watson .....	A01K 27/002
			224/600

**OTHER PUBLICATIONS**

“Pet Hot or Cold Therapeutic Vest”. Found online Jan. 6, 2017 at lapawspa.com. Page dated Feb. 26, 2010. Retrieved from [http://web.archive.org/web/20100226202449/http://lapawspa.com/pet\\_hot\\_or\\_cold\\_therapeutic\\_vest\\_000232.html](http://web.archive.org/web/20100226202449/http://lapawspa.com/pet_hot_or_cold_therapeutic_vest_000232.html).  
“Feliscanis Tactical Dog Vest Training Molle Harness”. Found online Jan. 6, 2017 at amazon.com. Page dated Sep. 27, 2015. Retrieved from [https://www.amazon.com/Feliscanis-Tactical-Training-Harness-Detachable/dp/B019Q5574I/ref=cm\\_cr\\_arp\\_d\\_product\\_top?ie=UTF8](https://www.amazon.com/Feliscanis-Tactical-Training-Harness-Detachable/dp/B019Q5574I/ref=cm_cr_arp_d_product_top?ie=UTF8).

(Continued)

*Primary Examiner* — Robert M. Spear  
*Assistant Examiner* — Kendra L Hamilton

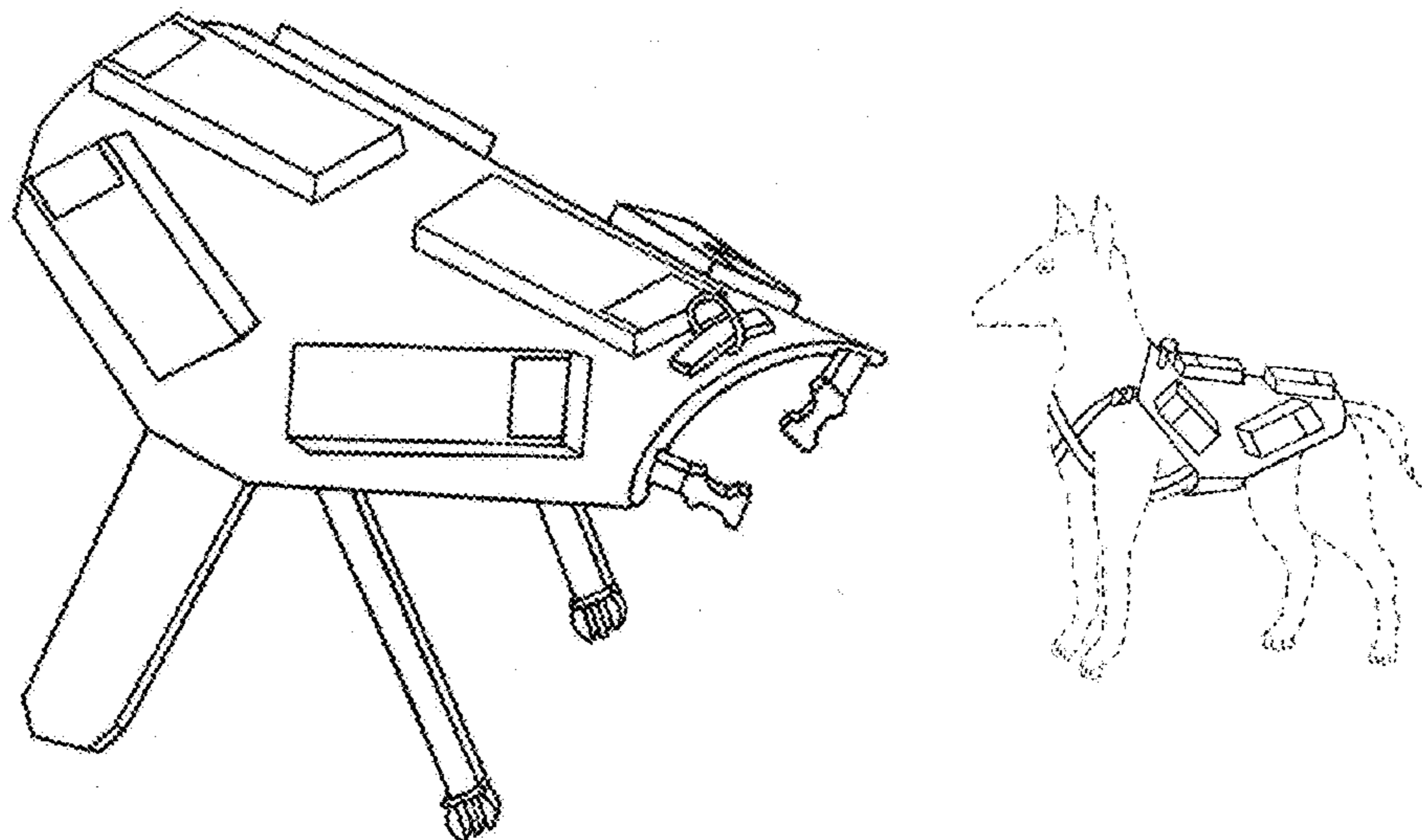
(57) **CLAIM**

The ornamental design for a weighted animal vest, as shown.

**DESCRIPTION**

FIG. 1 is a top front left perspective view of a weighted animal vest showing my new design thereof, shown unassembled;  
FIG. 2 is a top plan view thereof;  
FIG. 3 is a bottom plan view thereof;  
FIG. 4 is an enlarged front elevational view thereof, shown assembled;  
FIG. 5 is an enlarged rear devotional view thereof, shown assembled;  
FIG. 6 is an enlarged left side elevational view thereof, shown unassembled;  
FIG. 7 is an enlarged right side elevational view thereof; and,  
FIG. 8 is a bottom front right perspective view thereof, shown assembled in an alternate condition of use.

**1 Claim, 8 Drawing Sheets**



(56)

**References Cited**

OTHER PUBLICATIONS

“Dog Cooling Jacket”. Found online Jan. 6, 2017 at cozywinters.com. Page dated Sep. 25, 2008. Retrieved from <http://web.archive.org/web/20080925150226/http://cozywinters.com/shop/cool-k9-jacket.html>.\*

“OneTigris Tactical Dog Molle Vest Harness”. Found online Jan. 6, 2017 at amazon.com. Page dated Jun. 19, 2015. Retrieved from [https://www.amazon.com/OneTigris-Tactical-Harness-Training-Detachable/dp/B00SSGUIZ0/ref=cm\\_cr\\_ar\\_p\\_d\\_product\\_top?ie=UTF8](https://www.amazon.com/OneTigris-Tactical-Harness-Training-Detachable/dp/B00SSGUIZ0/ref=cm_cr_ar_p_d_product_top?ie=UTF8).\*

\* cited by examiner

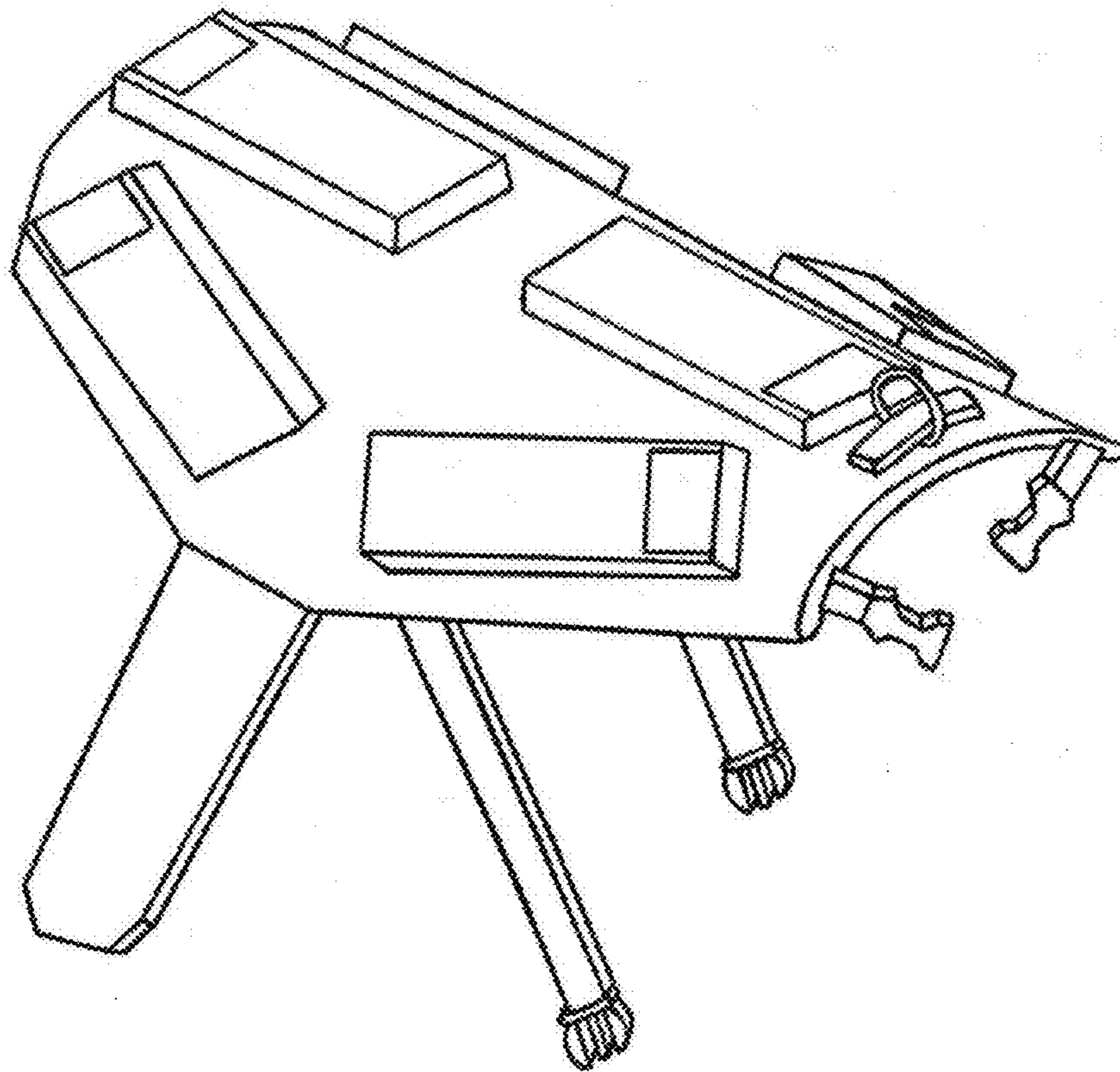


FIG. 1

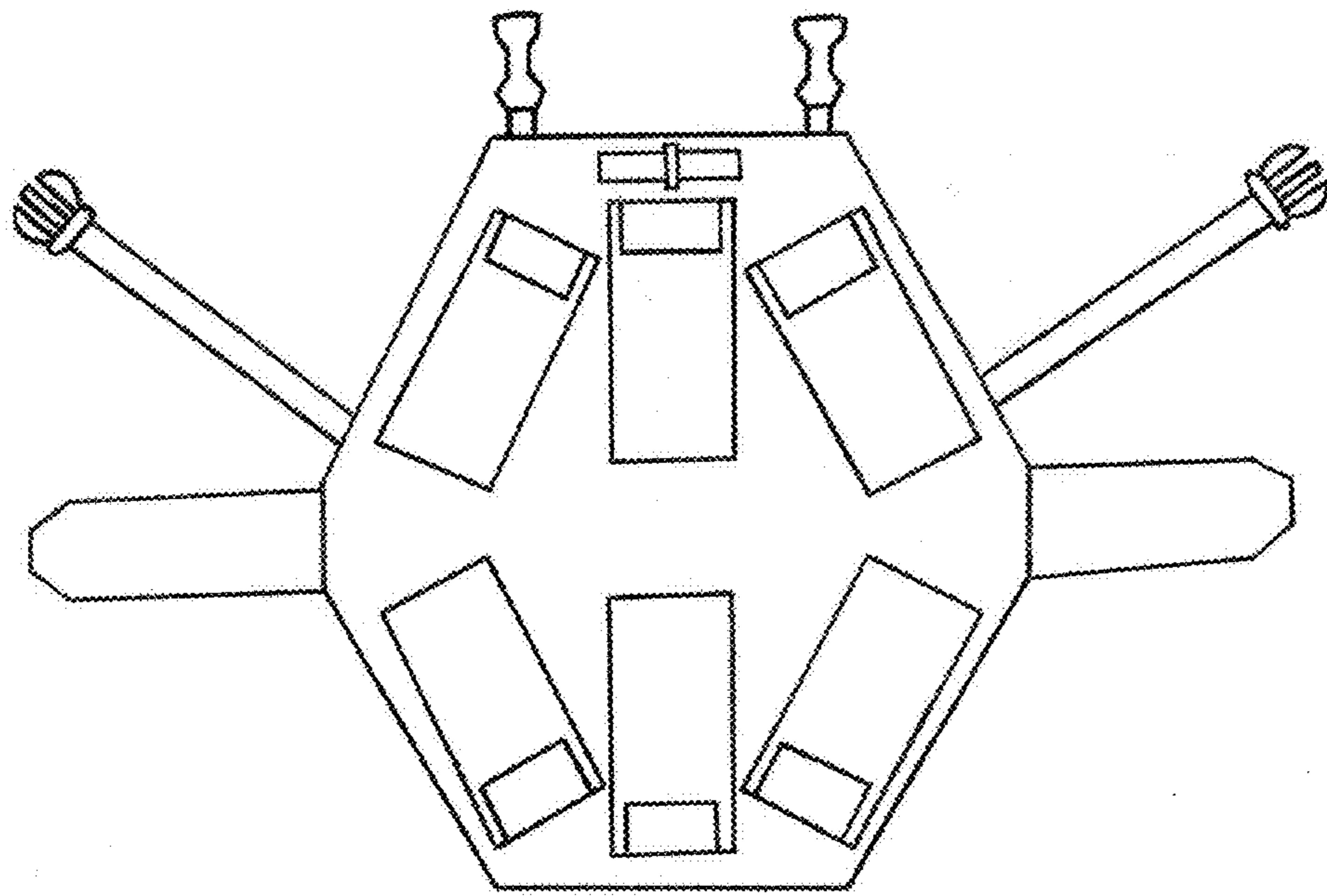


FIG. 2

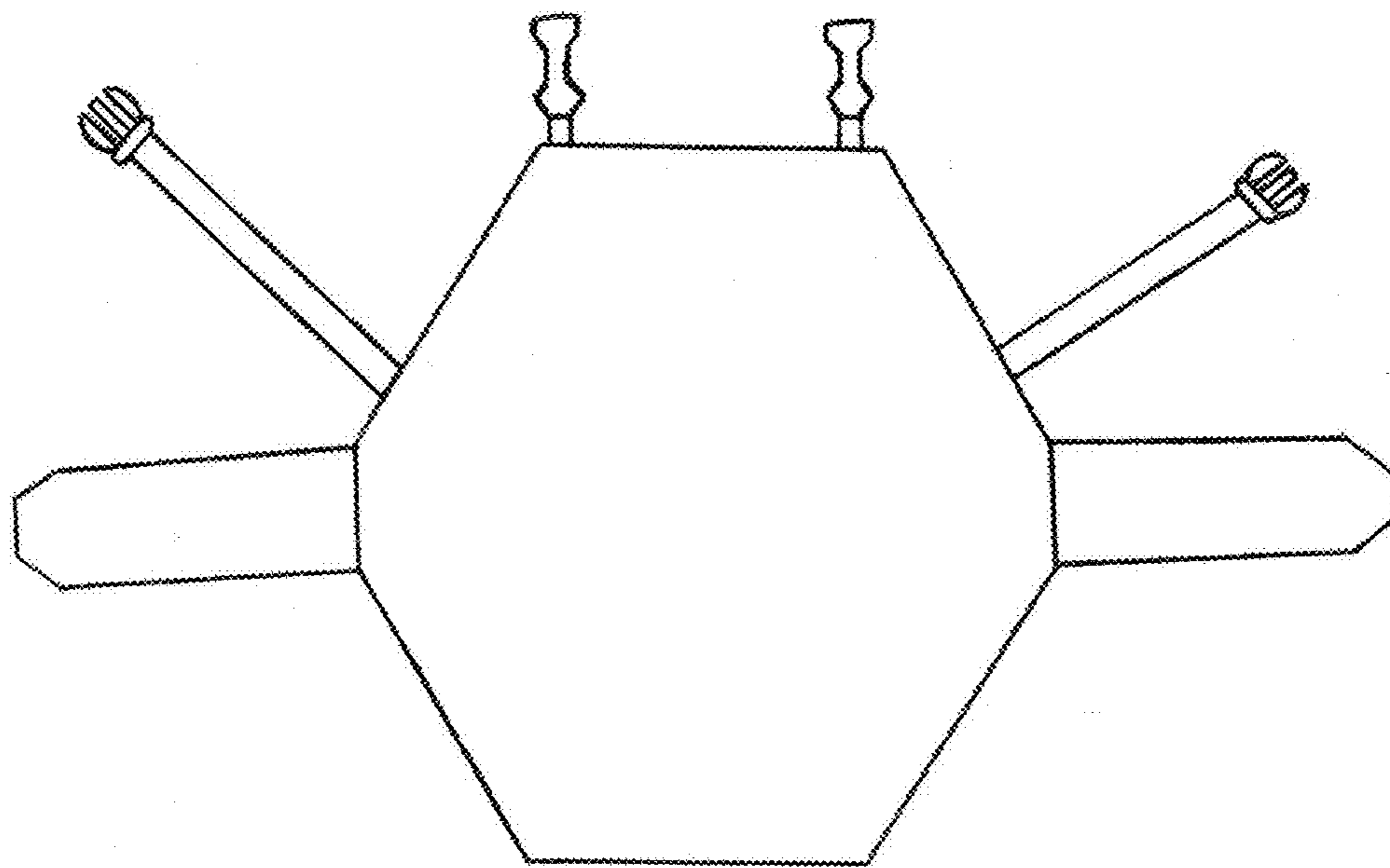


FIG. 3



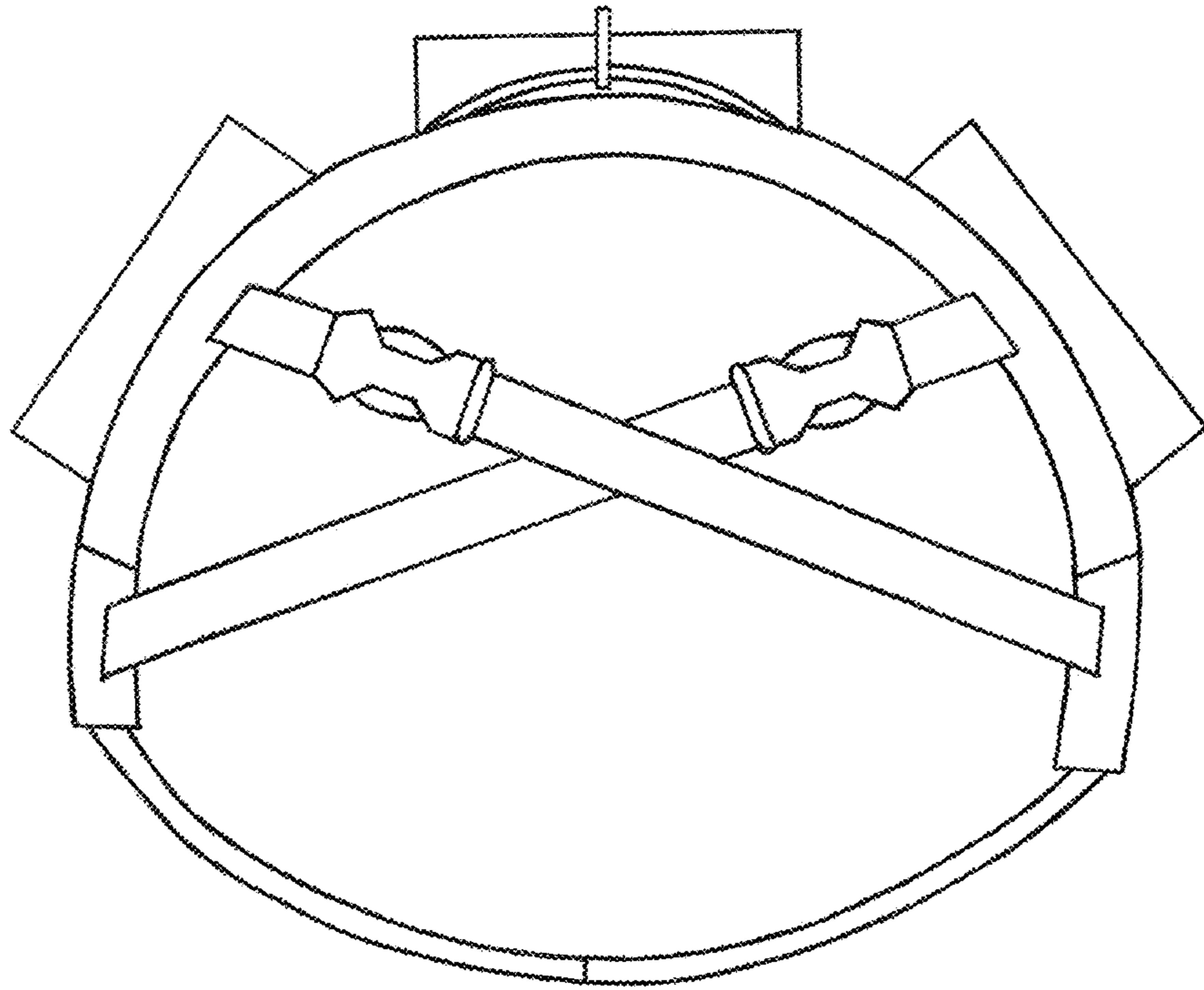


FIG. 4

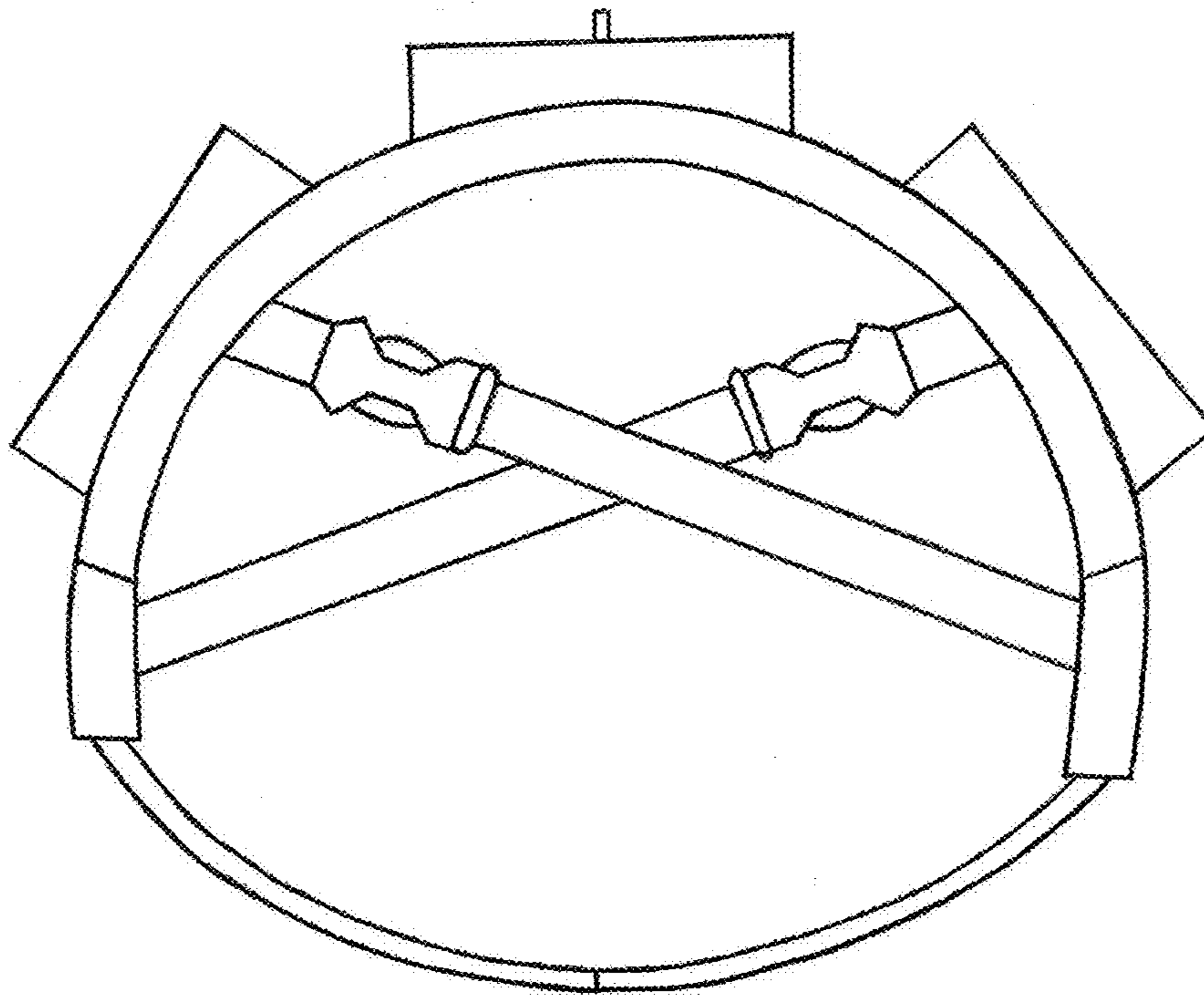


FIG. 5

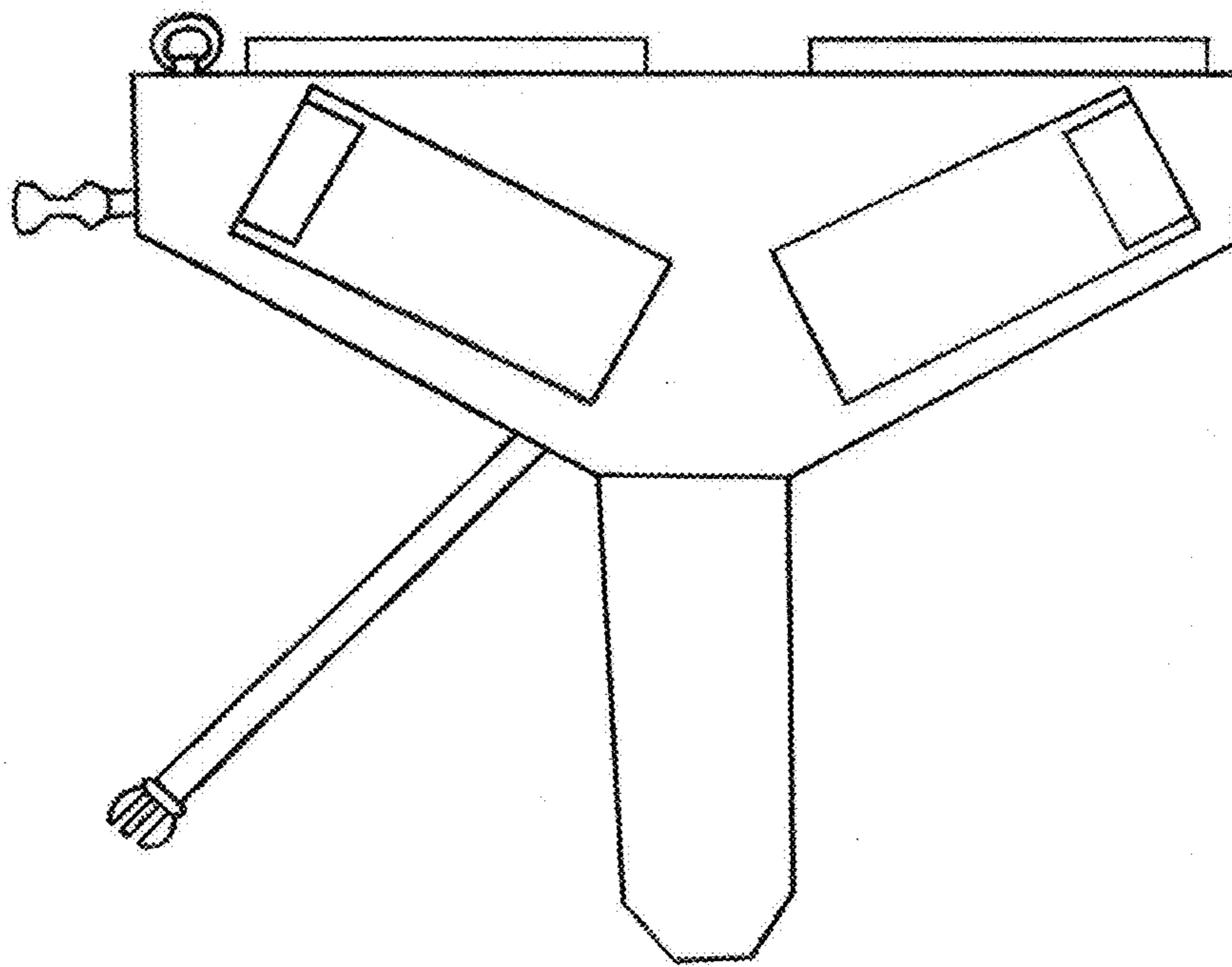


FIG. 6



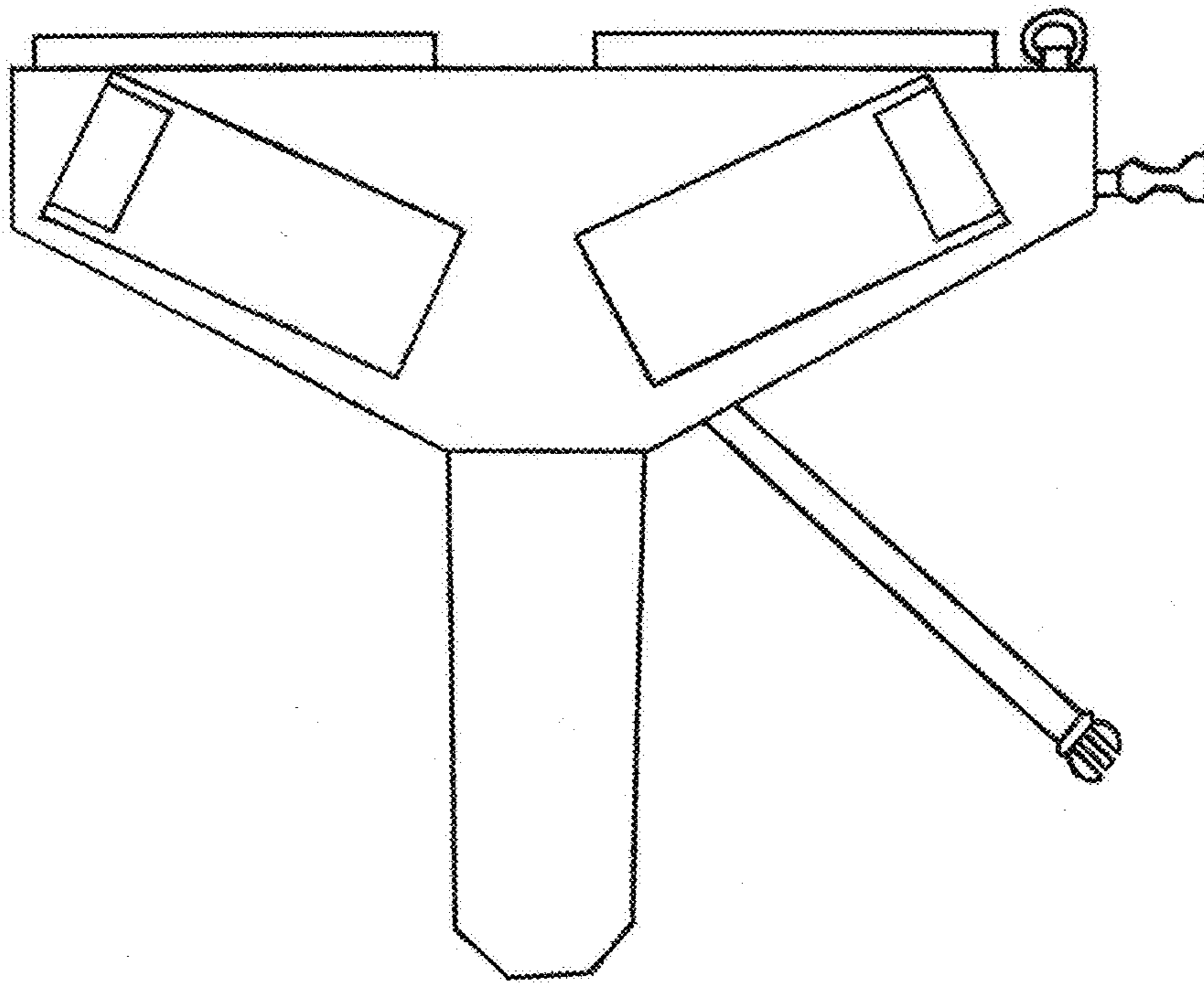


FIG. 7

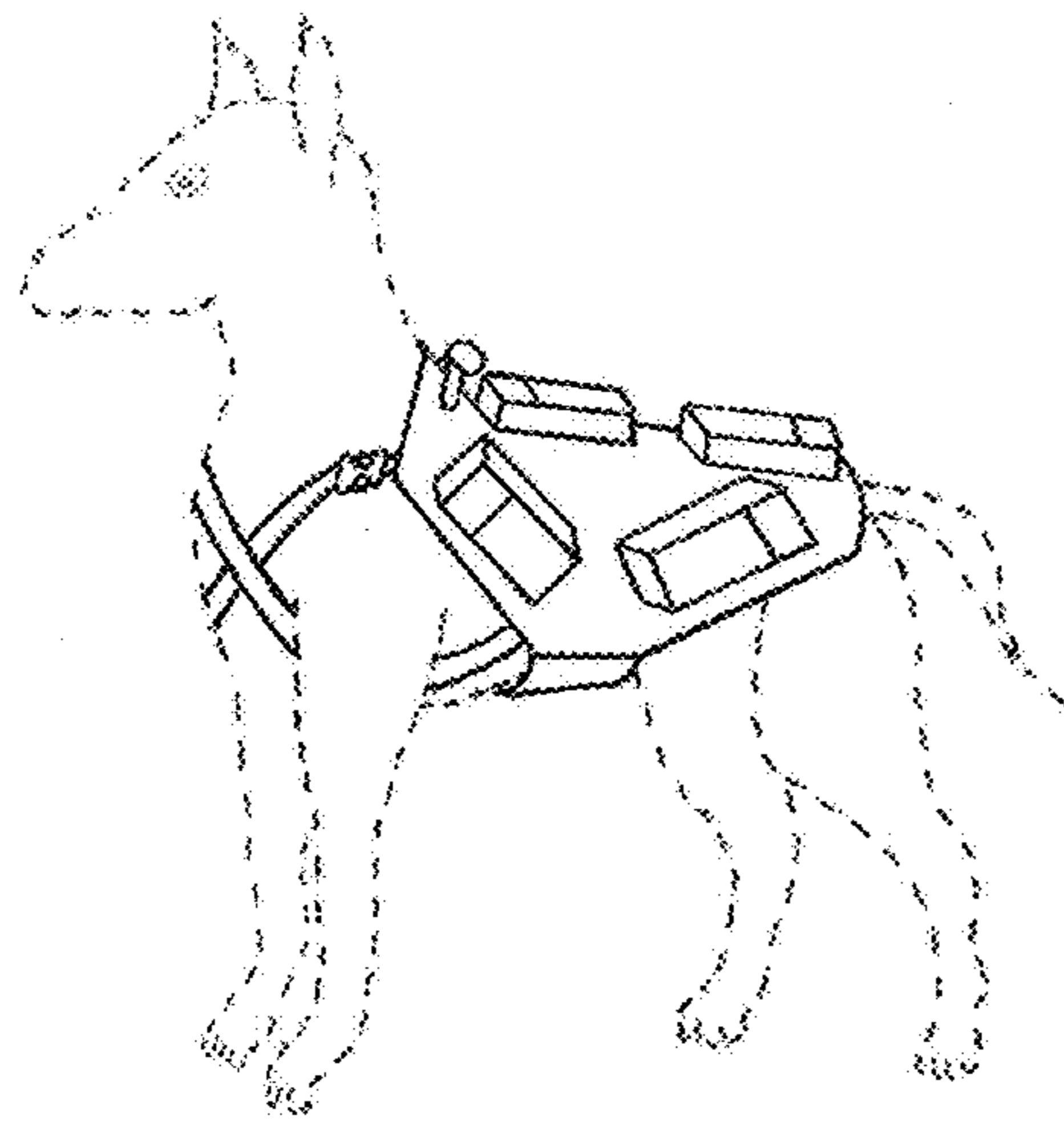


FIG. 8