



US00D793630S

(12) **United States Design Patent** (10) **Patent No.:** **US D793,630 S**
Bales (45) **Date of Patent:** **** Aug. 1, 2017**

(54) **PET FEEDING DEVICE**

(71) Applicant: **Feline Environmental Enrichment Design Company, LLC**, Philadelphia, PA (US)

(72) Inventor: **Elizabeth B. Bales**, Philadelphia, PA (US)

(73) Assignee: **FELINE ENVIRONMENTAL ENRICHMENT DESIGN CORPORATION**, Wilmington, DE (US)

(**) Term: **15 Years**

(21) Appl. No.: **29/576,255**

(22) Filed: **Sep. 1, 2016**

(51) **LOC (10) Cl.** **30-03**

(52) **U.S. Cl.**
USPC **D30/121**

(58) **Field of Classification Search**
USPC D30/121, 160, 122, 129-133, 199; 119/701-711, 51.11, 51.13, 51.15, 61.5, 119/51.01, 61.56, 51.03, 59, 62, 63, 51.5, 119/57.8, 74, 61.54, 61.55, 61; 312/204; 248/151, 188; 108/156, 153.1-157; 220/23.87, 630, 737, 743, 9.4, 495.01, 220/574, 212, 255, 23.83, 575; 206/515; D7/586, 543, 550.1, 587, 505, 584, 545, D7/500, 553.1-553.8, 546, 555, 556, 504, D7/565, 562, 602, 507, 549, 558, 552.2, D7/560, 566, 548, 681, 578, 588, 568; D9/609, 643; 43/109; D22/122; 99/430,
(Continued)

(56) **References Cited**

U.S. PATENT DOCUMENTS

294,575 A * 3/1884 Britton A23G 3/50
426/104
D22,157 S * 1/1893 Wahlers D9/644
(Continued)

OTHER PUBLICATIONS

Egg shaped white Ceramic Little Planter (Pinterest clipping, originally found at an Etsy store) <https://www.pinterest.com/pin/225743000044534216/>, 1 page, 2017.*

(Continued)

Primary Examiner — Susan Moon Lee

(74) *Attorney, Agent, or Firm* — Morgan, Lewis & Bockius LLP

(57) **CLAIM**

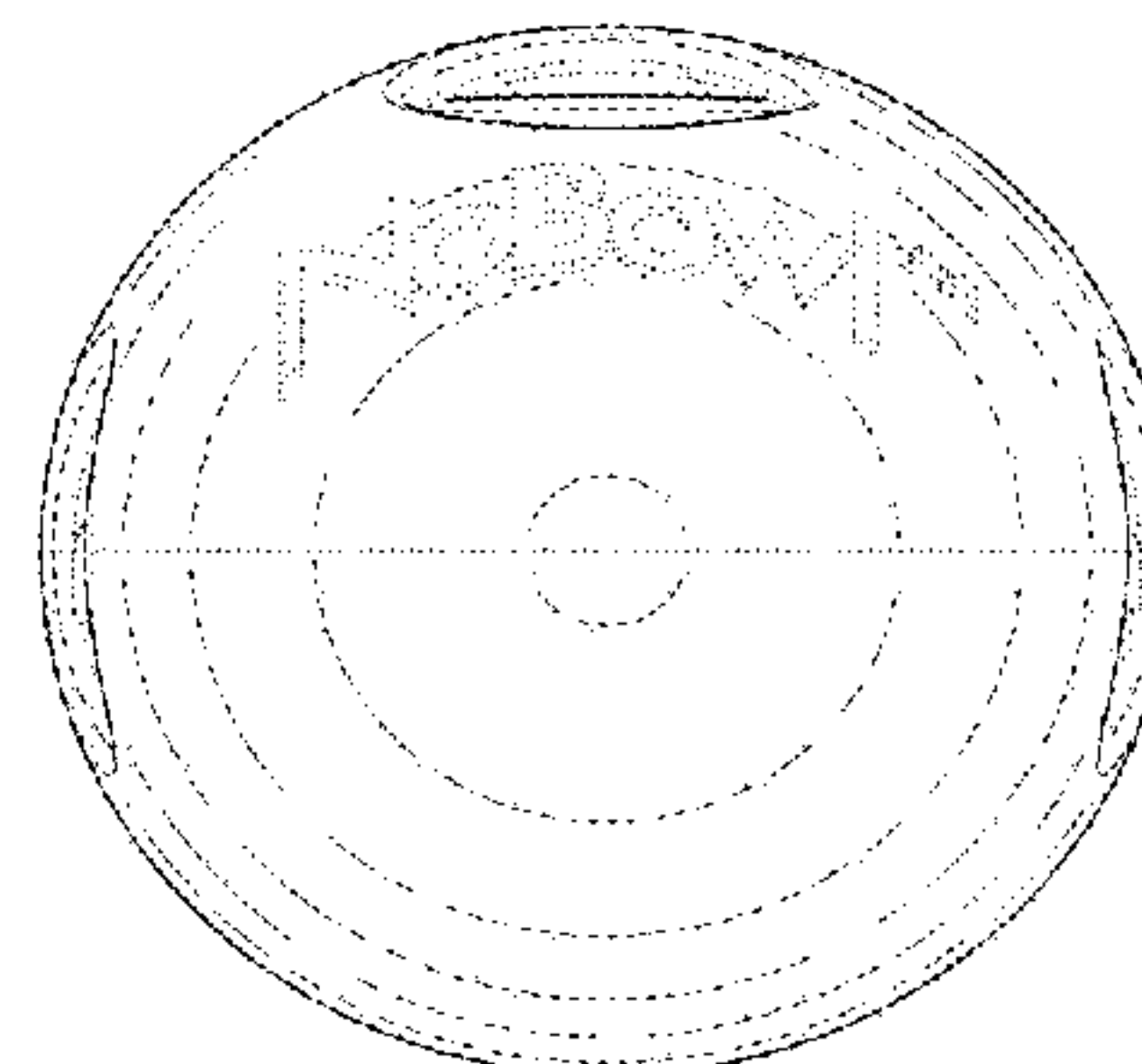
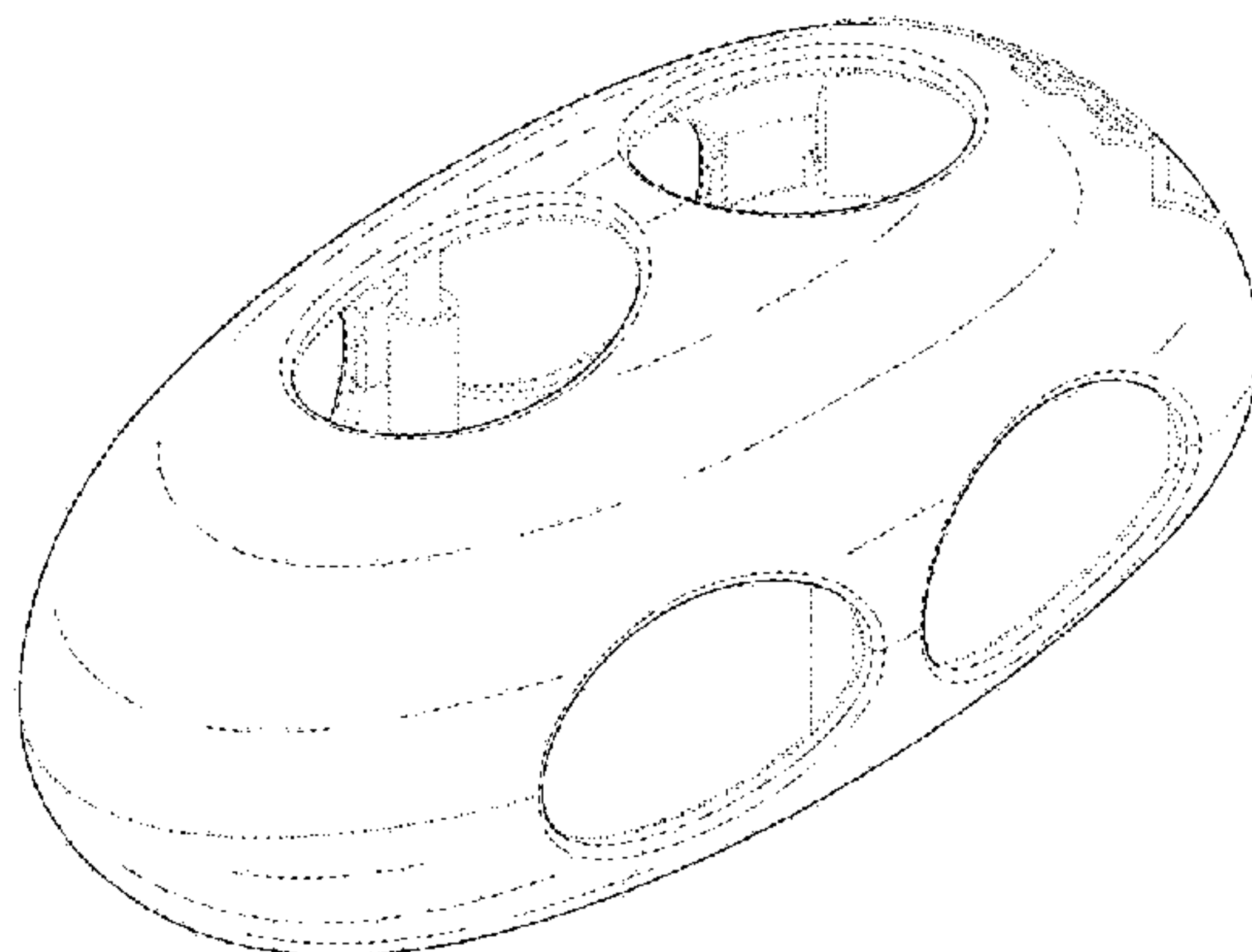
The ornamental design for a pet feeding device, as shown and described.

DESCRIPTION

FIG. 1 is a front, left, top perspective view of a pet feeding device showing my new design;
FIG. 2 is a rear, right, bottom perspective view of the pet feeding device shown in FIG. 1;
FIG. 3 is a front elevational view of the pet feeding device shown in FIG. 1;
FIG. 4 is a rear elevational view of the pet feeding device shown in FIG. 1;
FIG. 5 is a left-side elevational view of the pet feeding device shown in FIG. 1;
FIG. 6 is a right-side elevational view of the pet feeding device shown in FIG. 1;
FIG. 7 is a top plan view of the pet feeding device shown in FIG. 1; and,
FIG. 8 is a bottom plan view of the pet feeding device shown in FIG. 1.

The broken lines shown in the drawings represent portions of the pet feeding device that form no part of the claimed design.

1 Claim, 7 Drawing Sheets



(58) **Field of Classification Search**
 USPC 99/DIG. 15; D21/656, 576, 406, 408,
 D21/490, 470; D1/124; 446/71-76, 81,
 446/369, 268-270, 279, 280; D32/29.1,
 D32/35; D23/366; D11/143, 149, 152,
 D11/156, 157, 161
 CPC A01K 5/01-5/0142; A01K 5/02; A01K
 5/0233; A01K 5/0241; A01K 5/025;
 A01K 5/0275; A01K 5/0283; A01K
 5/0291; A01K 15/00; A01K 15/02; A01K
 15/025; A01K 15/026; A01K 15/021;
 A01K 7/005; A63H 33/004; A63H
 33/005; A63H 3/02; A63H 3/003; A63H
 7/00; A63H 9/00; A63H 11/10; G09F
 19/00

See application file for complete search history.

(56) **References Cited**

U.S. PATENT DOCUMENTS

1,282,724 A * 10/1918 Anderson A63F 9/0811
 273/154
 1,534,964 A * 4/1925 Kahnweiler A63H 33/00
 119/711
 2,786,347 A * 3/1957 Whitlock D06F 5/005
 366/129
 2,938,727 A * 5/1960 Nosak A63B 19/02
 280/206
 D188,179 S * 6/1960 Tay 428/15
 2,962,023 A * 11/1960 Boes A61M 31/00
 604/285
 3,706,140 A * 12/1972 Brillaud D06F 58/203
 118/726
 3,758,087 A * 9/1973 Hoon, Jr. B01J 19/30
 261/94
 D235,157 S * 5/1975 Echterling D11/121
 D239,128 S * 3/1976 Malkin D8/1
 D241,054 S * 8/1976 Fortier D21/498
 D242,461 S * 11/1976 Davies D23/366
 4,002,893 A * 1/1977 Newcomb A63B 43/06
 273/DIG. 20
 4,003,574 A * 1/1977 MacDonald A63B 39/00
 273/DIG. 20
 4,133,528 A * 1/1979 Koblick A63B 43/06
 362/390
 D252,102 S * 6/1979 Mandon D23/369
 4,223,636 A * 9/1980 Dishong A01K 15/025
 119/709
 D261,105 S * 10/1981 Schwartz D9/504
 D283,634 S * 4/1986 Kato D21/498
 D285,230 S * 8/1986 Adams D21/712
 4,617,001 A * 10/1986 Parein A63H 33/105
 403/56
 4,907,537 A * 3/1990 Shirk A01K 15/025
 119/707
 D314,455 S * 2/1991 Morton D30/160
 5,033,743 A * 7/1991 Wright A63B 43/00
 273/DIG. 20
 5,123,645 A * 6/1992 MacDonald A63B 43/002
 273/DIG. 20
 D332,741 S * 1/1993 Turner 473/596
 5,316,293 A * 5/1994 Hamilton A63B 43/00
 446/400
 5,458,329 A * 10/1995 Bushman A63B 43/002
 273/DIG. 8
 5,460,368 A * 10/1995 Pearson A63B 43/002
 473/597
 5,496,026 A * 3/1996 Montgomery A63B 43/002
 473/570
 5,564,369 A * 10/1996 Barber A01K 63/006
 119/221
 5,611,532 A * 3/1997 Forrest, Sr. A63B 43/00
 473/576

5,676,611 A * 10/1997 Foster A63B 43/002
 473/596
 D386,229 S * 11/1997 Hicks D21/712
 5,865,147 A * 2/1999 Rubin A01K 15/025
 119/711
 5,904,118 A * 5/1999 Markham A01K 15/025
 119/707
 D412,767 S * 8/1999 Bemis D30/160
 5,957,082 A * 9/1999 Budman A01K 5/01
 119/54
 D414,903 S * 10/1999 Baiera D30/160
 D421,216 S * 2/2000 Abrams D9/643
 D422,847 S * 4/2000 Hansen D7/606
 6,076,946 A * 6/2000 Brouillette, III F21V 15/01
 362/183
 D437,010 S * 1/2001 Meys D21/498
 6,167,841 B1 * 1/2001 Ho A01K 5/0114
 119/57.91
 D449,705 S * 10/2001 Lubisch D27/106
 D452,115 S * 12/2001 Malimovka D7/503
 D453,864 S * 2/2002 Olivares D1/199
 D479,897 S * 9/2003 Willinger D21/712
 D480,396 S * 10/2003 Buckner D14/341
 D480,518 S * 10/2003 McGinty D30/125
 D483,822 S * 12/2003 Pelfrey D21/712
 6,722,317 B2 * 4/2004 O'Rourke A01K 15/025
 119/51.01
 D500,103 S * 12/2004 Lowinger D21/698
 D507,750 S * 7/2005 Englehardt-Risko D9/418
 D514,263 S * 1/2006 Willinger D21/713
 7,044,820 B2 * 5/2006 Ladisa A63B 41/00
 441/81
 D535,067 S * 1/2007 Renforth D30/160
 D544,655 S * 6/2007 Hass D30/160
 D552,307 S * 10/2007 Renforth D30/160
 D563,486 S * 3/2008 Slater D21/498
 D563,593 S * 3/2008 Audrito D26/104
 D586,419 S * 2/2009 Tonkin D21/708
 D594,606 S * 6/2009 DeSeguirant, Jr. D30/160
 D606,245 S * 12/2009 Kesselman D21/712
 D617,439 S * 6/2010 Valentino D23/367
 D624,251 S * 9/2010 Rutherford D30/160
 D625,056 S * 10/2010 Kelly D30/160
 D637,666 S * 5/2011 Erickson D21/712
 D639,360 S * 6/2011 Lederman D21/712
 D640,558 S * 6/2011 Semersky D9/500
 D642,342 S * 7/2011 Shatoff D30/160
 8,029,393 B2 * 10/2011 Frazier A63B 43/002
 473/577
 D652,162 S * 1/2012 Wu D26/47
 D652,181 S * 1/2012 Lee D30/160
 D656,689 S * 3/2012 Viola D30/121
 D658,817 S * 5/2012 Costello D30/121
 D660,664 S * 5/2012 Hsu D8/25
 D667,750 S * 9/2012 McKay D11/143
 8,312,844 B2 * 11/2012 Mann A01K 15/025
 119/709
 D672,513 S * 12/2012 Wolfe, Jr. D30/160
 D690,376 S * 9/2013 Silvergate D21/712
 D700,755 S * 3/2014 Reiss D30/121
 D703,415 S * 4/2014 Khan A61G 17/08
 D99/5
 D703,494 S * 4/2014 Frank D7/667
 8,875,662 B2 * 11/2014 Angle A01K 15/025
 119/707
 8,904,967 B2 * 12/2014 Reiss A01K 5/0114
 119/710
 8,932,160 B1 * 1/2015 Turner A63B 37/0098
 473/613
 D724,277 S * 3/2015 Avalos Sartorio D30/130
 D737,540 S * 8/2015 Borella D99/37
 D738,028 S * 9/2015 Wu D26/98
 9,119,377 B2 * 9/2015 Gratza A01K 15/026
 9,220,652 B1 * 12/2015 Stewart A61G 17/08
 D749,802 S * 2/2016 Crane D30/160
 D767,688 S * 9/2016 Nelson D21/398
 D775,445 S * 12/2016 Cole D32/35
 D785,252 S * 4/2017 Comerford D21/656

(56)

References Cited

U.S. PATENT DOCUMENTS

2001/0037583 A1* 11/2001 Stuckey F26B 5/04
34/201
2003/0008727 A1* 1/2003 Miller A63B 37/0003
473/351
2003/0213440 A1* 11/2003 Kelly A01K 15/025
119/708
2005/0015032 A1* 1/2005 Stein A61H 15/02
601/131
2005/0022751 A1* 2/2005 Nelson A01K 15/025
119/709
2006/0254531 A1* 11/2006 Willinger A01K 15/025
119/710
2007/0022971 A1* 2/2007 Renforth A01K 15/026
119/707
2007/0234969 A1* 10/2007 Lynch A01K 15/02
119/707
2008/0039250 A1* 2/2008 Martino A63B 43/00
473/613
2008/0121190 A1* 5/2008 Moulton A01K 15/025
119/710
2008/0314331 A1* 12/2008 DeGhionno A01K 5/0114
119/709
2009/0272326 A1* 11/2009 Bacon A01K 15/025
119/57.92

2009/0314221 A1* 12/2009 Wang A01K 15/025
119/707
2010/0077963 A1* 4/2010 Lipscomb A01K 5/0142
119/54
2010/0147229 A1* 6/2010 DeFazio A01K 15/025
119/710
2010/0251966 A1* 10/2010 Benson A01K 5/0114
119/51.01
2011/0083608 A1* 4/2011 Markham A01K 15/025
119/51.01
2012/0085294 A1* 4/2012 Christianson A01K 15/025
119/707
2012/0298044 A1* 11/2012 Dotterer A01K 15/025
119/51.01
2013/0019812 A1* 1/2013 Rutherford A01K 15/025
119/707
2014/0123909 A1* 5/2014 Balogh A01K 15/025
119/707
2016/0278341 A1* 9/2016 Bales A01K 5/00

OTHER PUBLICATIONS

Air Plant Holders Egg Shape Succulent Garden Planters <https://www.etsy.com/listing/255727322/air-plant-holder-egg-shaped-glass?ref=market>, 1 page, Apr. 15, 2017.*
Website: <http://www.catfooddispenserreviews.com/cat-treat-dispensers-toys-reviews/>; accessed Aug. 30, 2016; 7 pages.

* cited by examiner

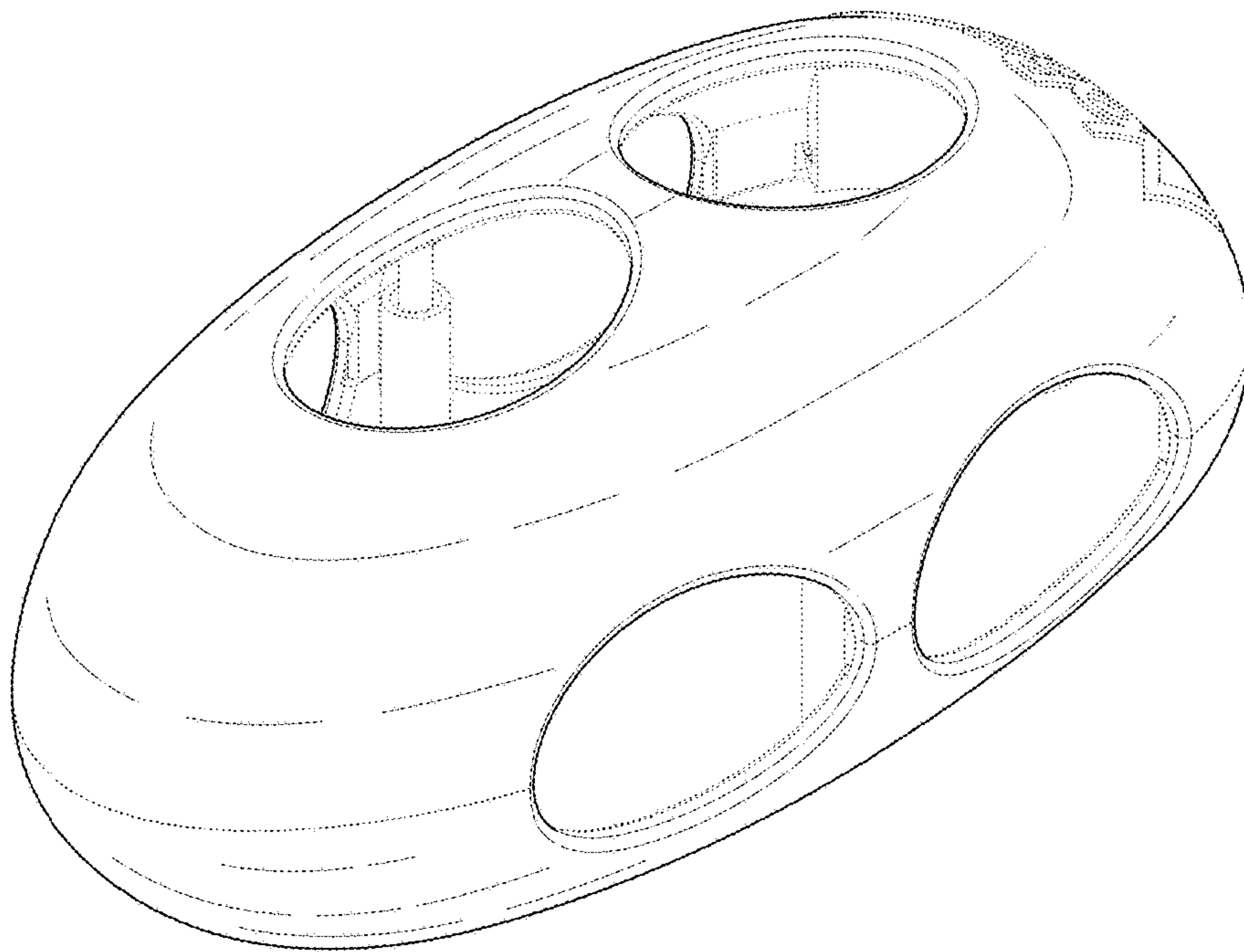


FIG. 1

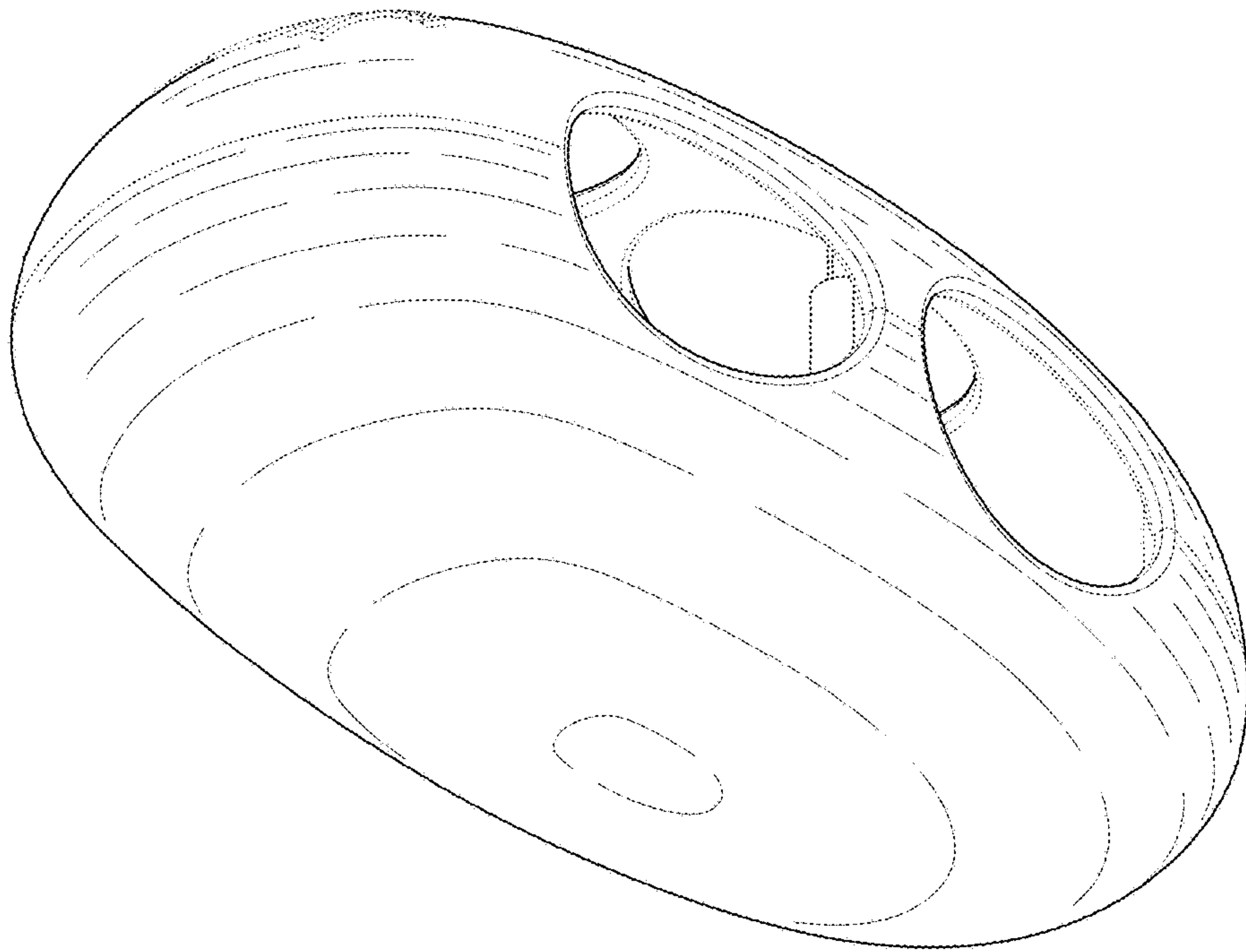


FIG. 2

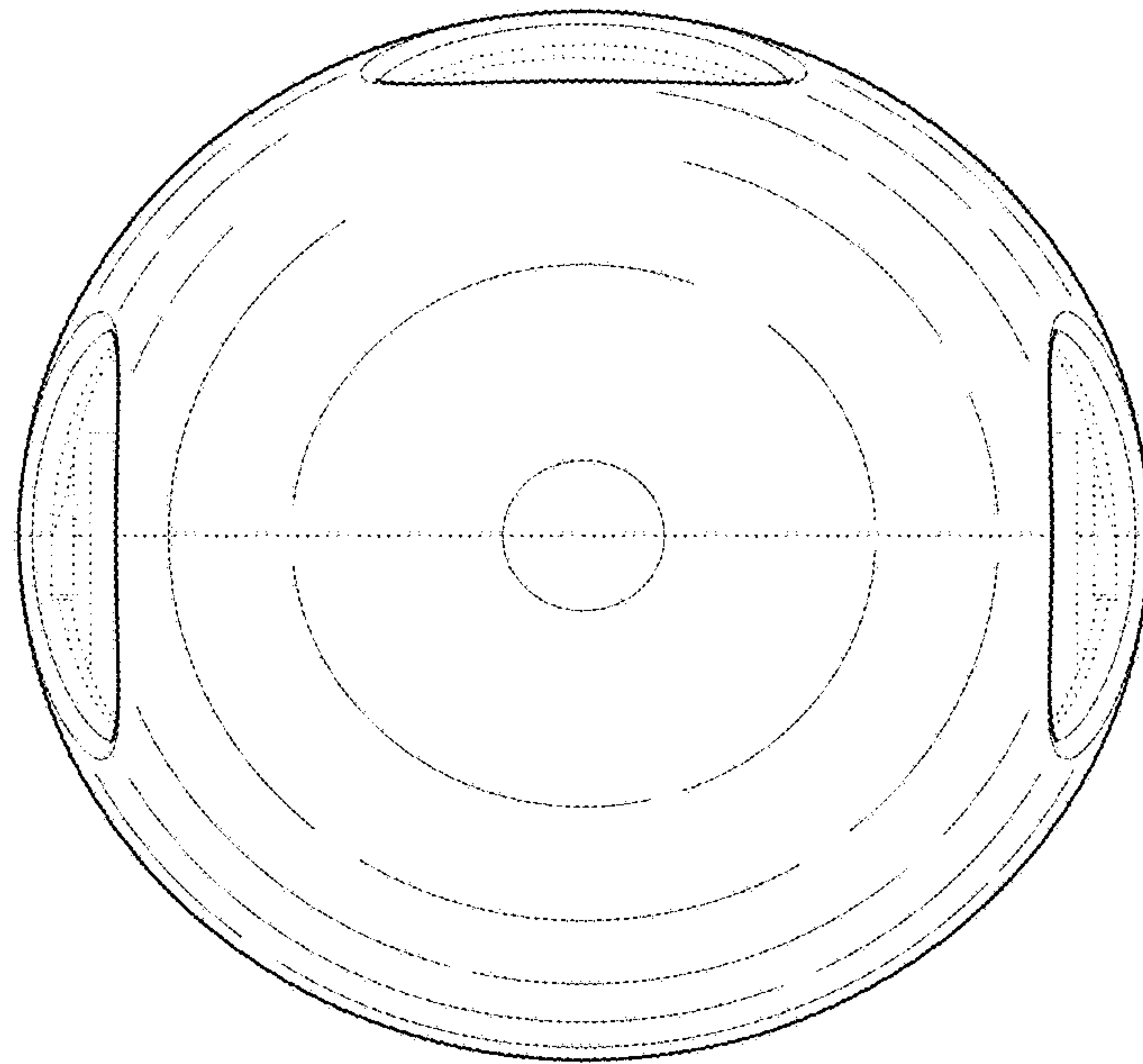


FIG. 3

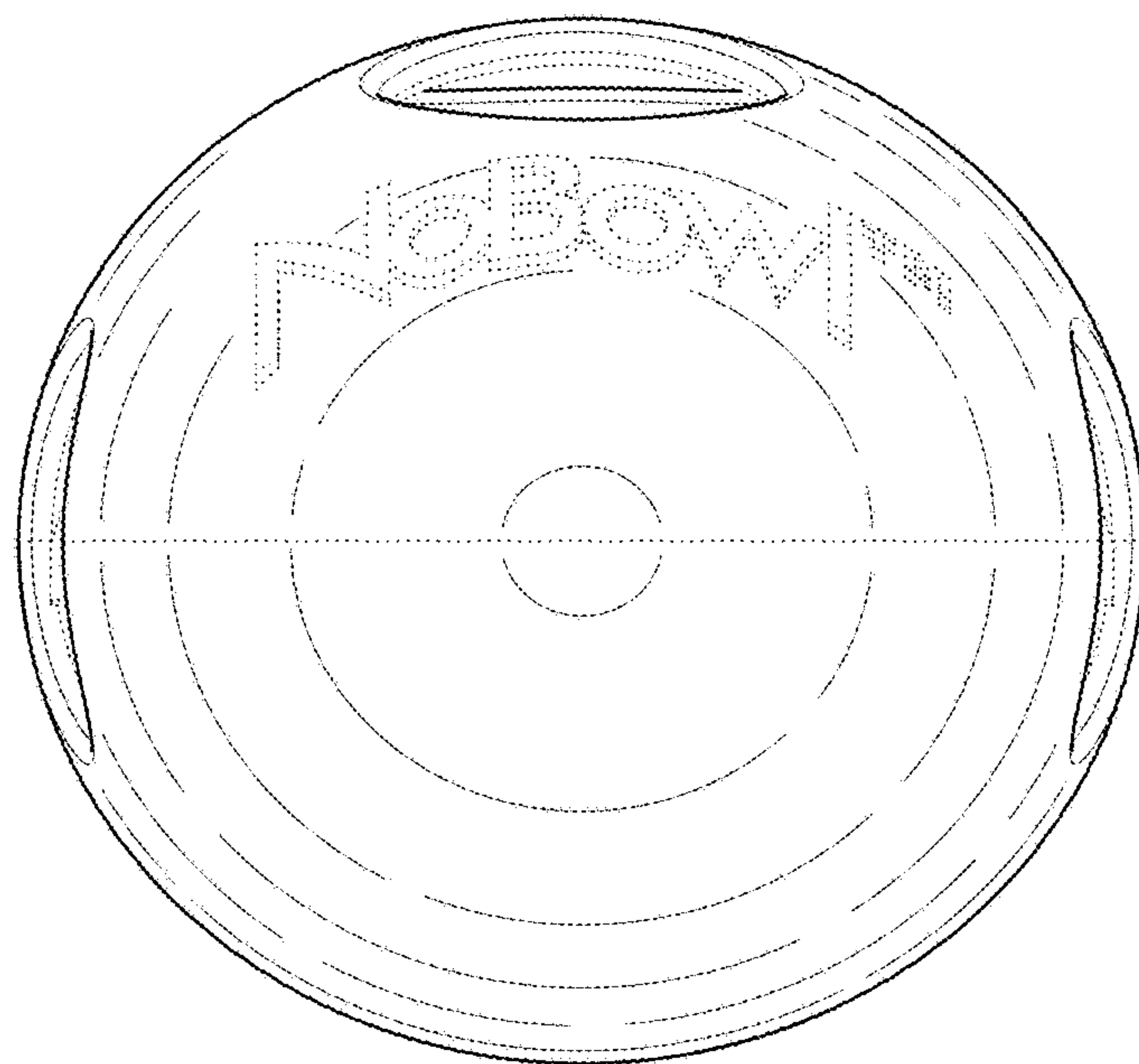


FIG. 4

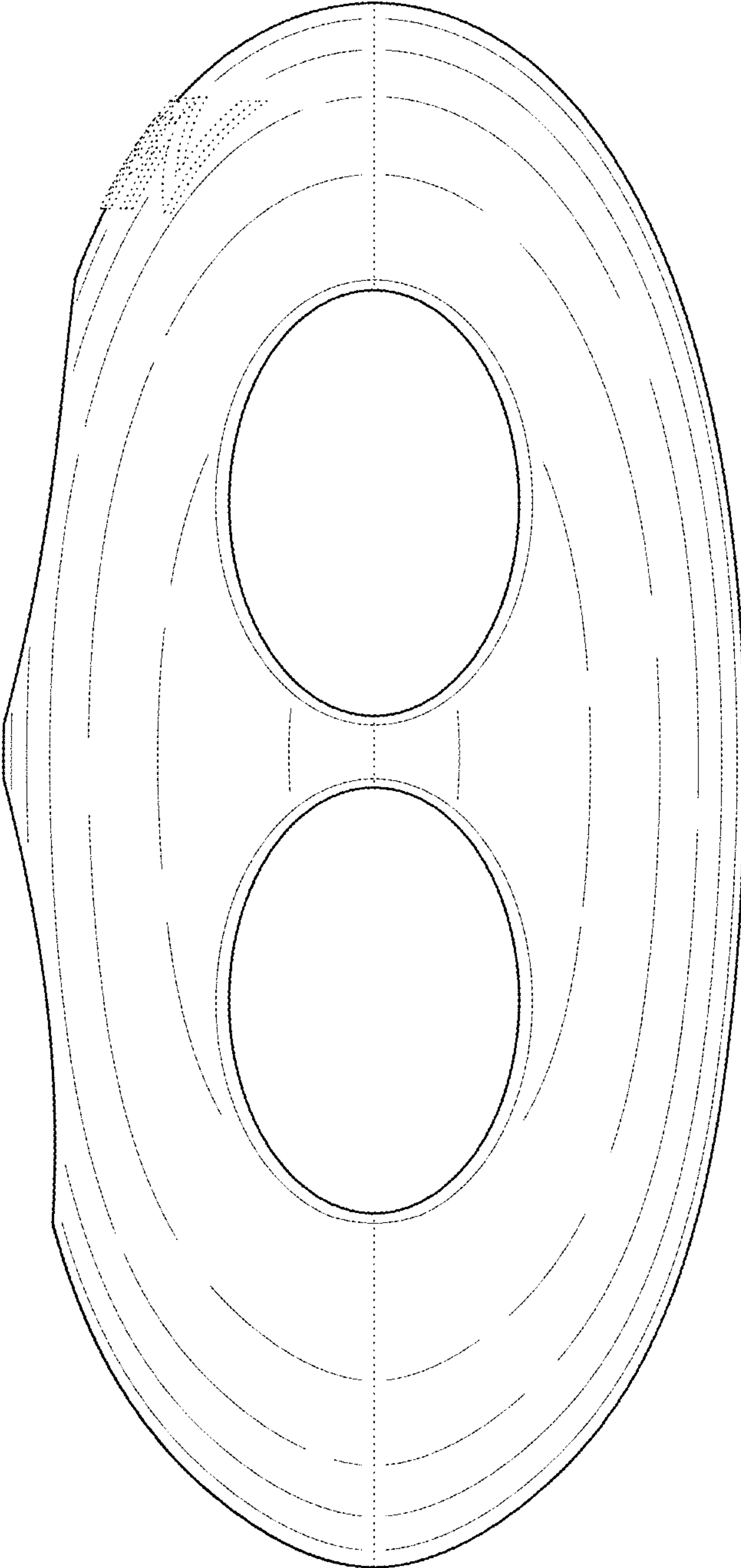


FIG. 5

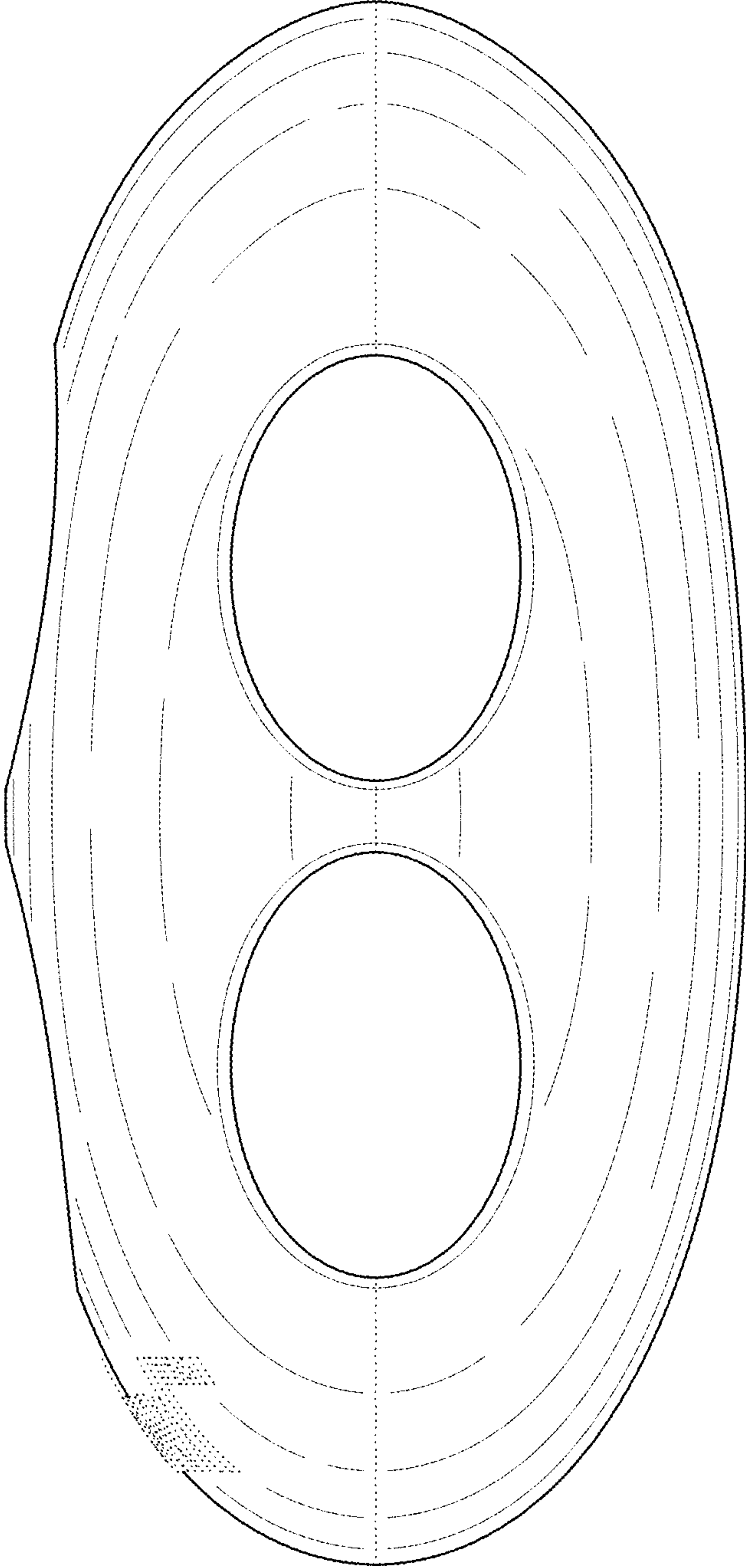


FIG. 6

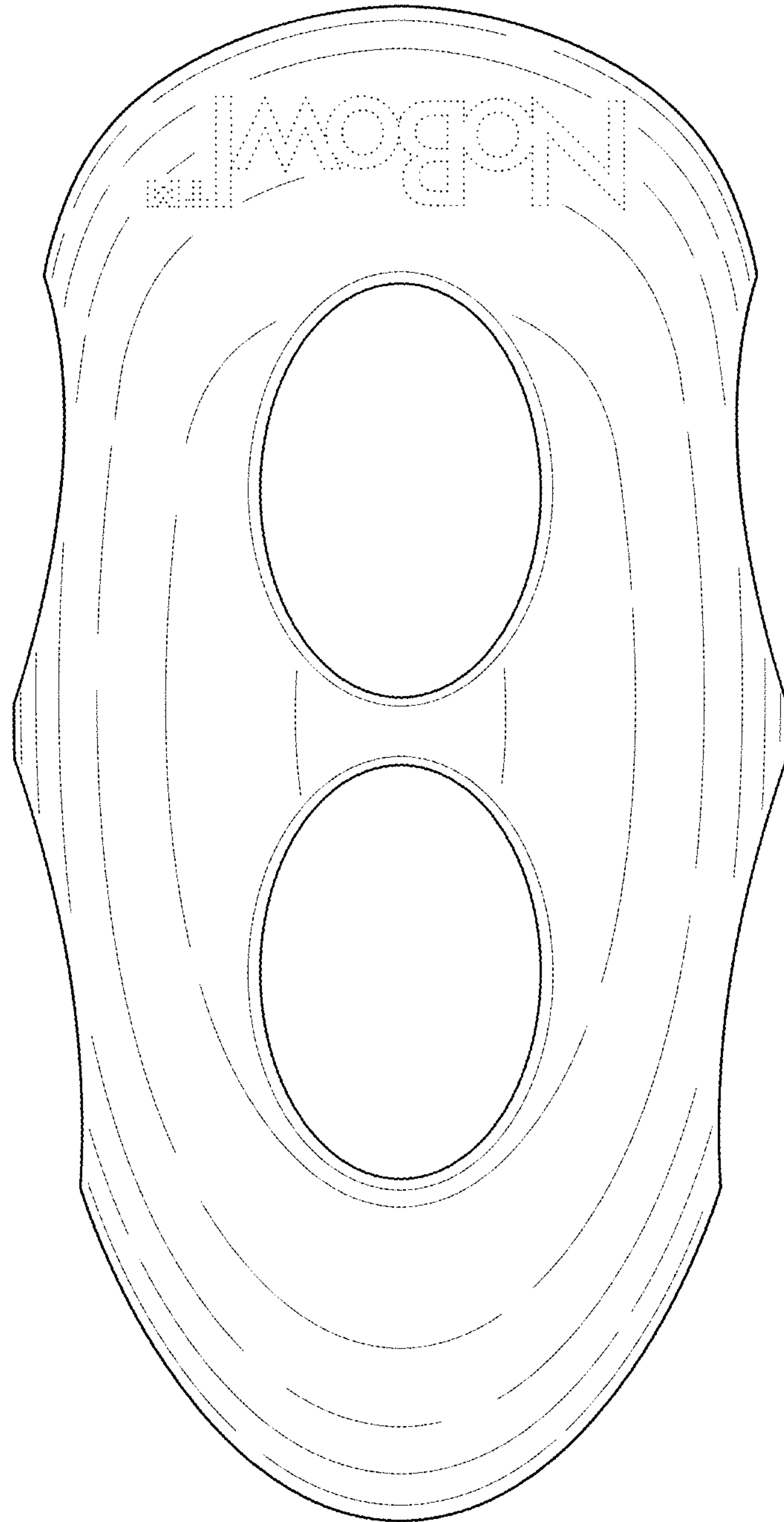


FIG. 7

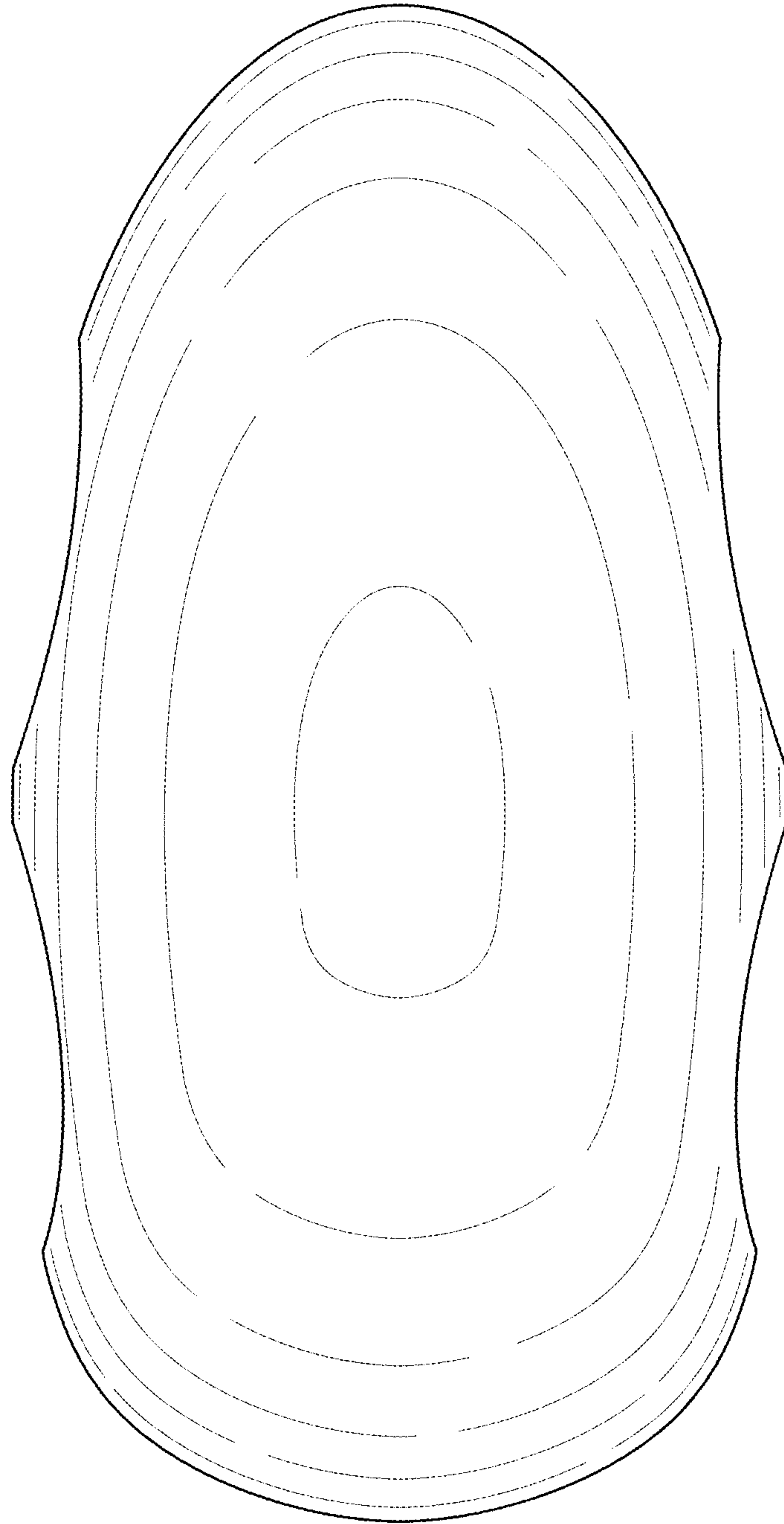


FIG. 8