

US00D793629S

(12) **United States Design Patent** (10) **Patent No.:** **US D793,629 S**
Gates (45) **Date of Patent:** **** Aug. 1, 2017**

(54) **HAT PET BED**
(71) Applicant: **Game Changer Goods, LLC**, Whittier, CA (US)
(72) Inventor: **Eric Gates**, Long Beach, CA (US)
(**) Term: **15 Years**
(21) Appl. No.: **29/554,771**
(22) Filed: **Feb. 15, 2016**
(51) **LOC (10) Cl.** **30-06**
(52) **U.S. Cl.**
USPC **D30/118**
(58) **Field of Classification Search**
USPC D30/112, 118; D6/339, 361, 382, D6/385-387, 595-597, 618.1, 675, 691, D6/698; 119/28.5; D21/520; D2/873-874, 882, 884, 886
CPC A01K 1/03; A01K 1/05; A01K 1/13503; A01K 29/00
See application file for complete search history.

D491,715 S * 6/2004 Park D2/882
D591,459 S * 4/2009 Melerine D30/112
D616,159 S * 5/2010 Zagar D30/112
D617,537 S * 6/2010 Pearson D2/884
D632,875 S * 2/2011 Bischel D2/876
D667,611 S * 9/2012 Nguyen D2/876
D694,493 S * 12/2013 Presha D2/882
D706,492 S 6/2014 Bratton et al.
2005/0217598 A1 * 10/2005 Harper A01K 1/033
119/482

* cited by examiner

Primary Examiner — Cathy Anne MacCormac
(74) *Attorney, Agent, or Firm* — Lowry Blixseth LLP; Scott M. Lowry

(57) **CLAIM**

The ornamental design for a hat pet bed, as shown and described.

DESCRIPTION

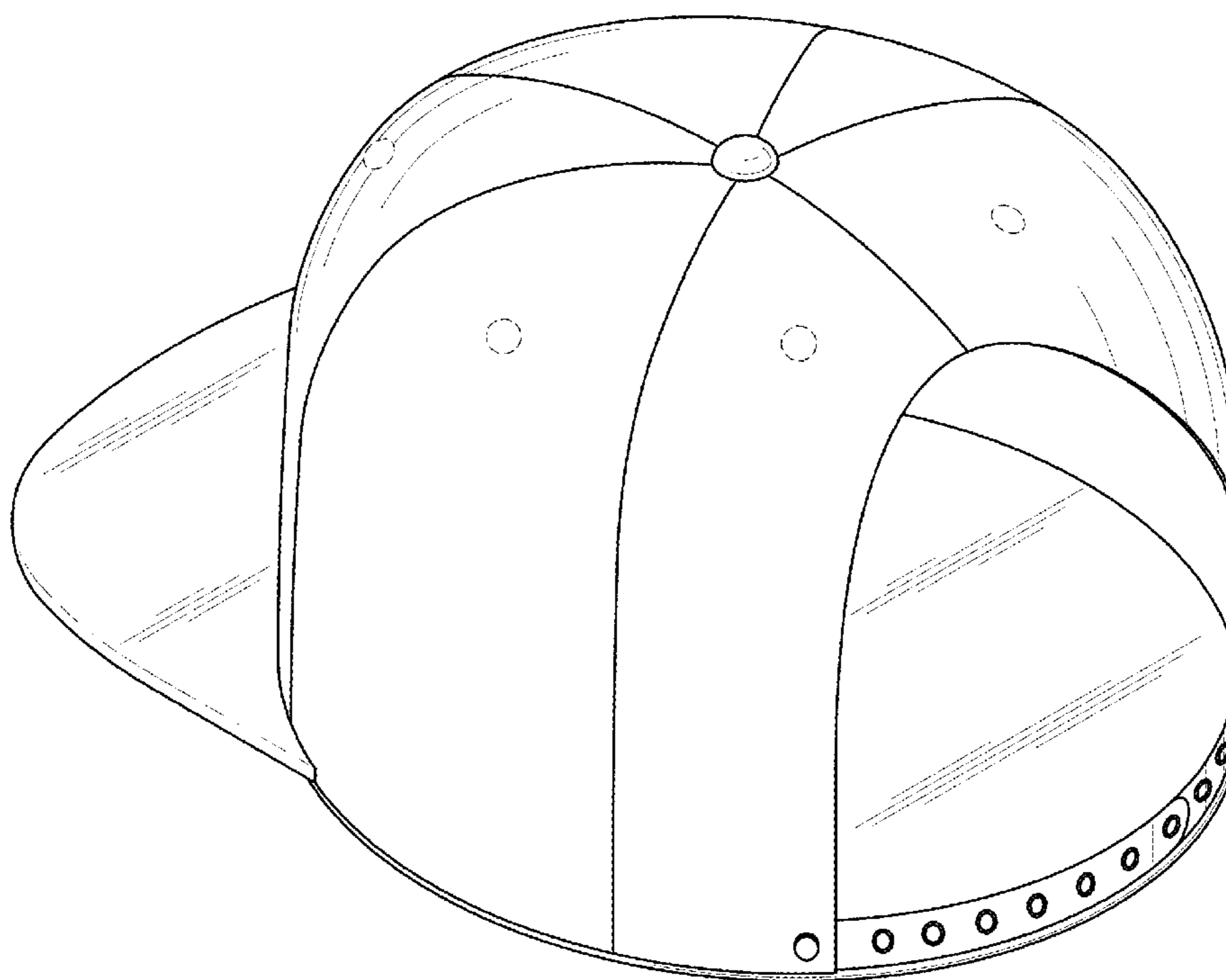
FIG. 1 is a perspective view showing the front, top and left sides of the hat pet bed;
FIG. 2 is a front elevation view of the hat pet bed;
FIG. 3 is a rear elevation view of the hat pet bed;
FIG. 4 is a right side elevation view of the hat pet bed, the left side elevation view being a mirror image thereof;
FIG. 5 is a top plan view of the hat pet bed; and,
FIG. 6 is a bottom plan view of the hat pet bed.
The broken lines depict environmental subject matter and form no part of the claimed design.

1 Claim, 6 Drawing Sheets

(56) **References Cited**

U.S. PATENT DOCUMENTS

3,147,736 A * 9/1964 Daniel A01K 1/033
D30/112
D215,306 S * 9/1969 Hoff D30/117
D260,468 S * 9/1981 Huebner D6/597
D317,665 S * 6/1991 Marshall D30/108
D377,545 S * 1/1997 Iben D30/112
D411,908 S * 7/1999 Richlin D2/866
D424,282 S * 5/2000 Crumpton D2/882



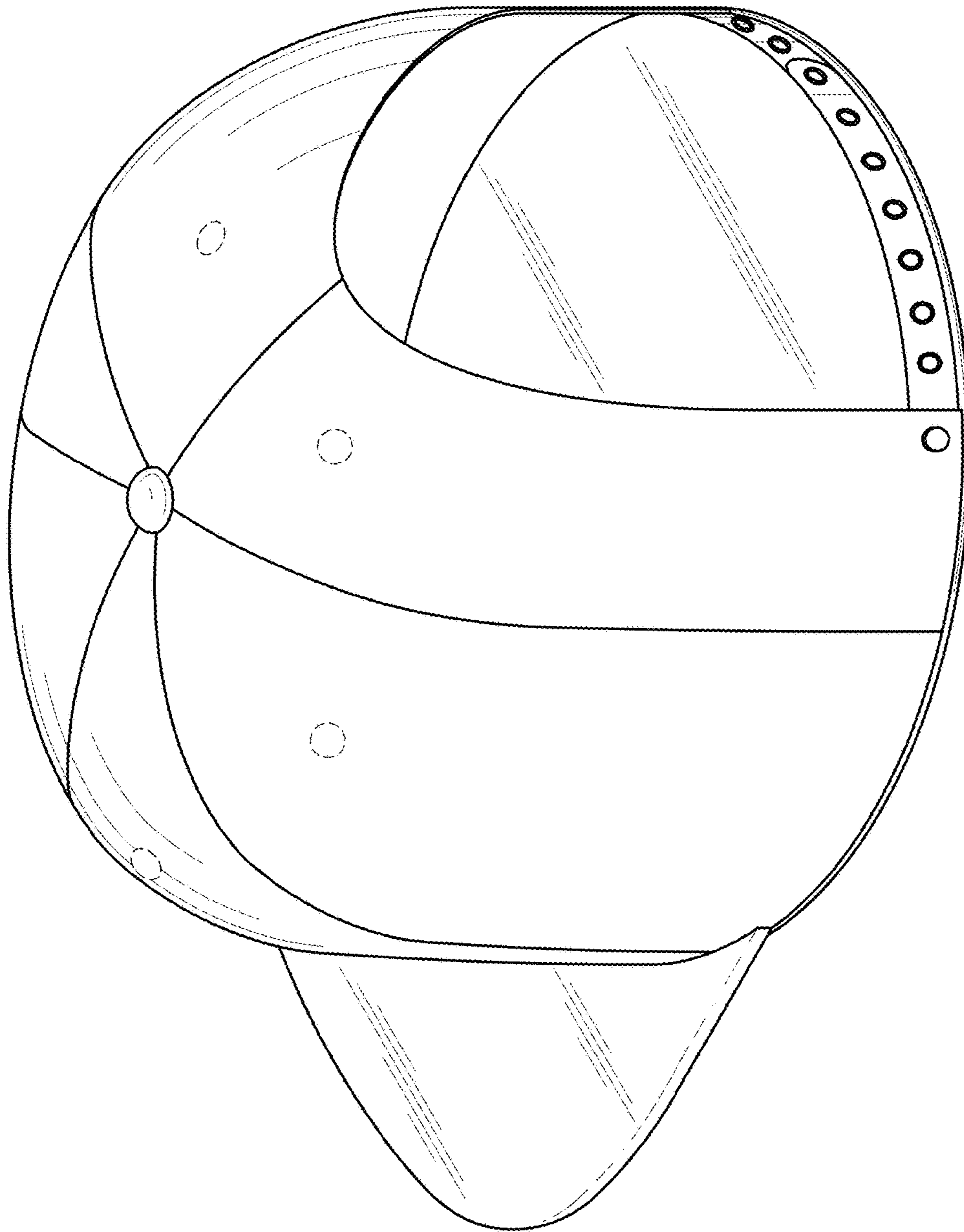


FIG. 1

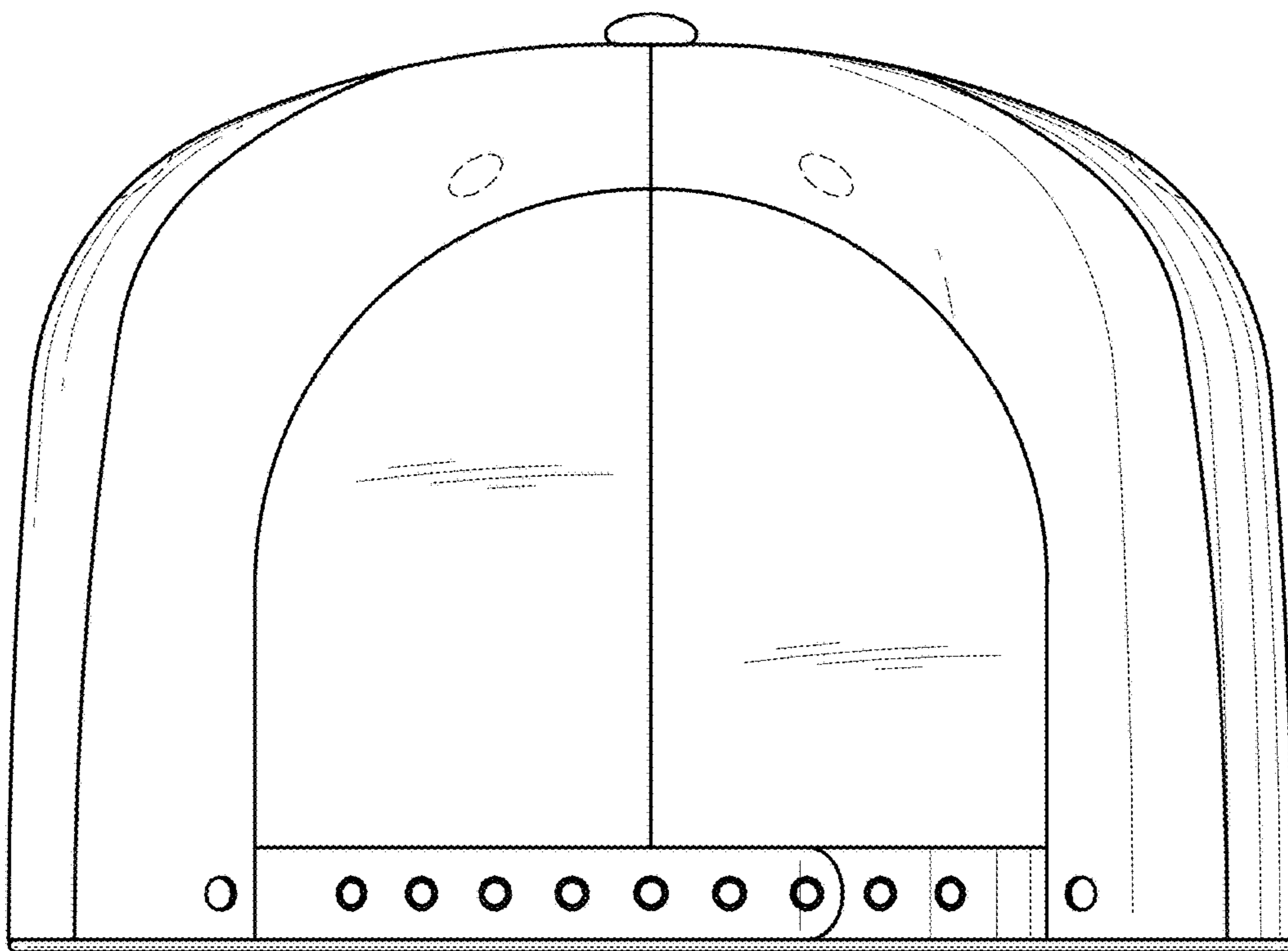


FIG. 2

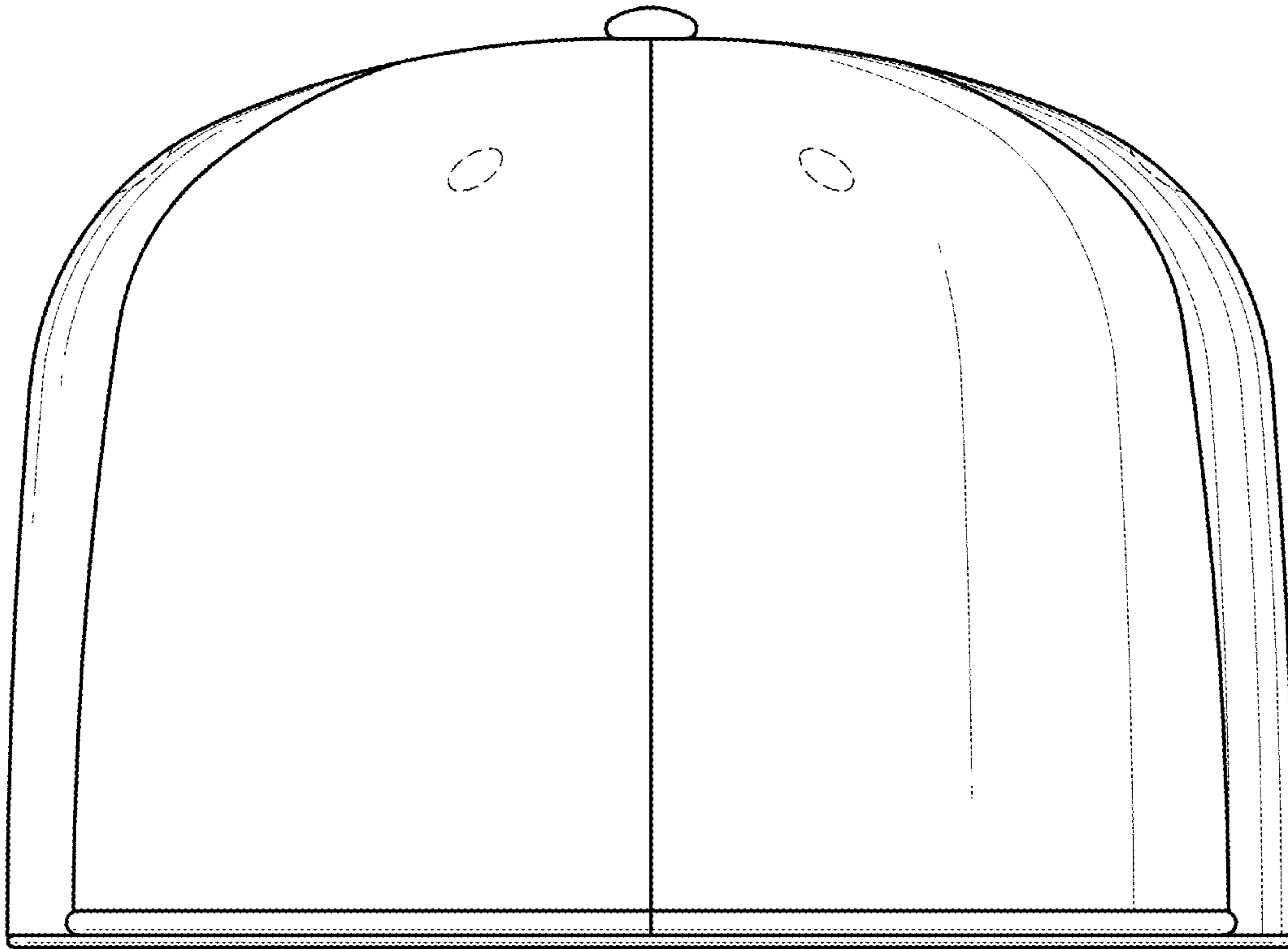


FIG. 3

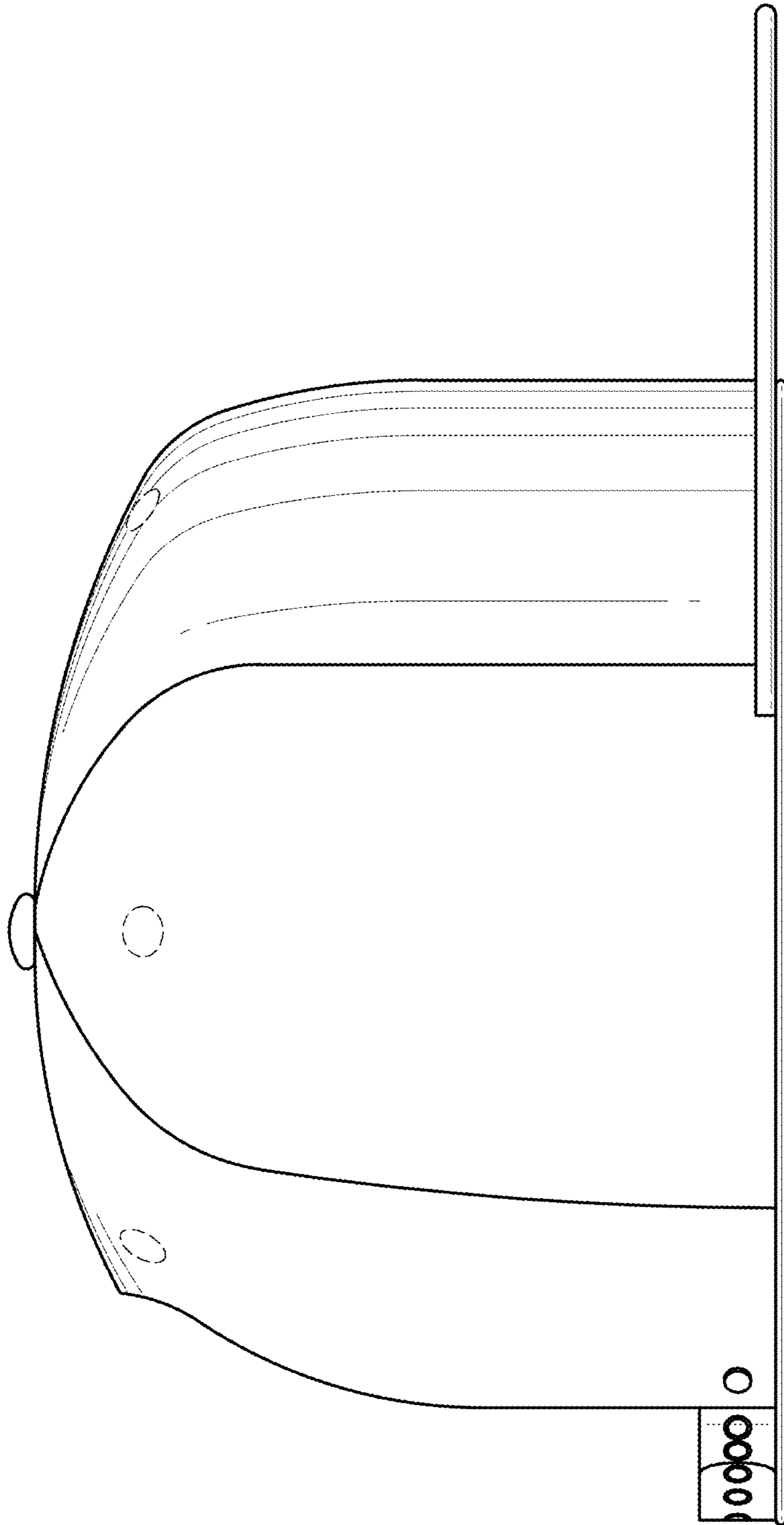


FIG. 4

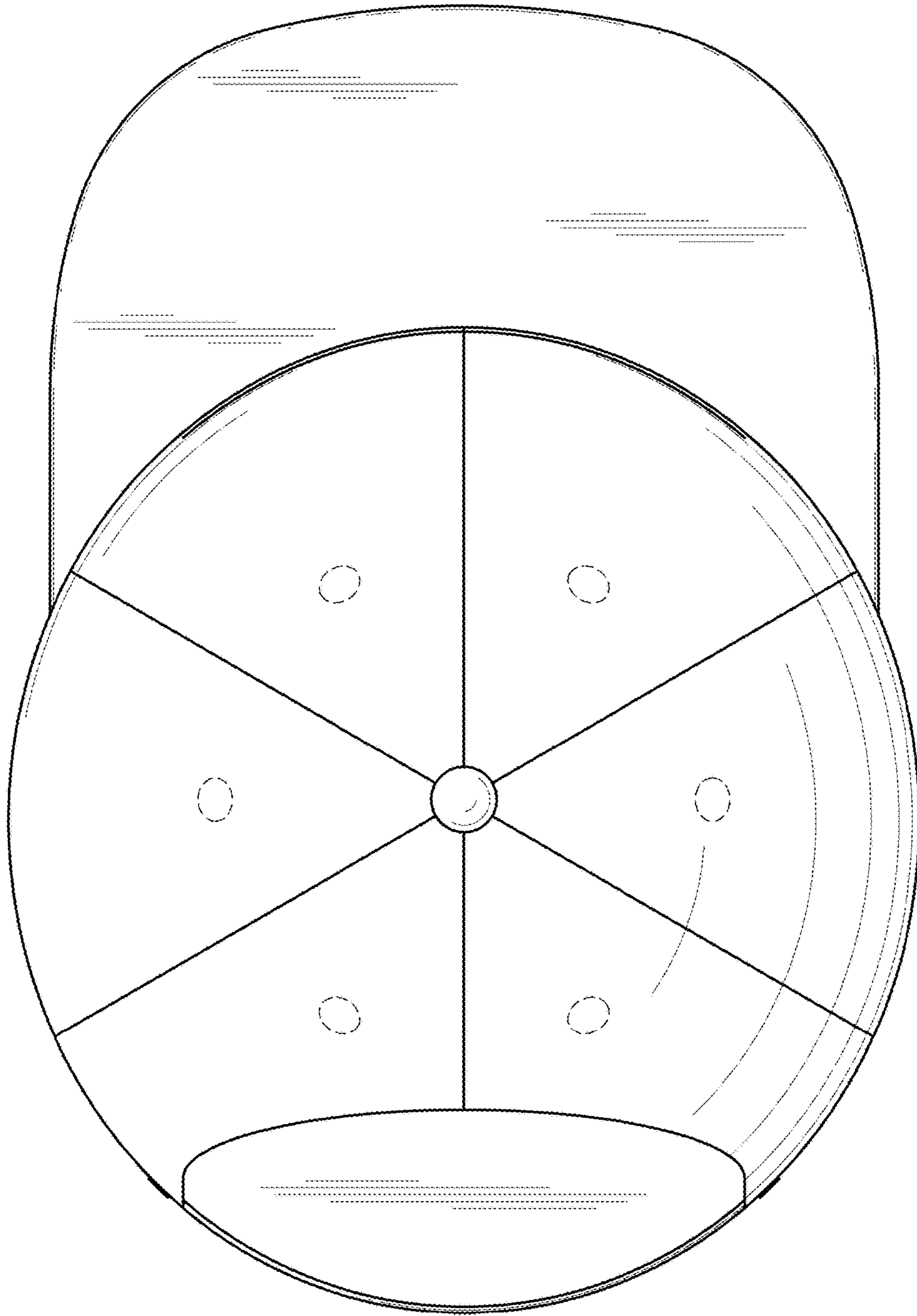


FIG. 5

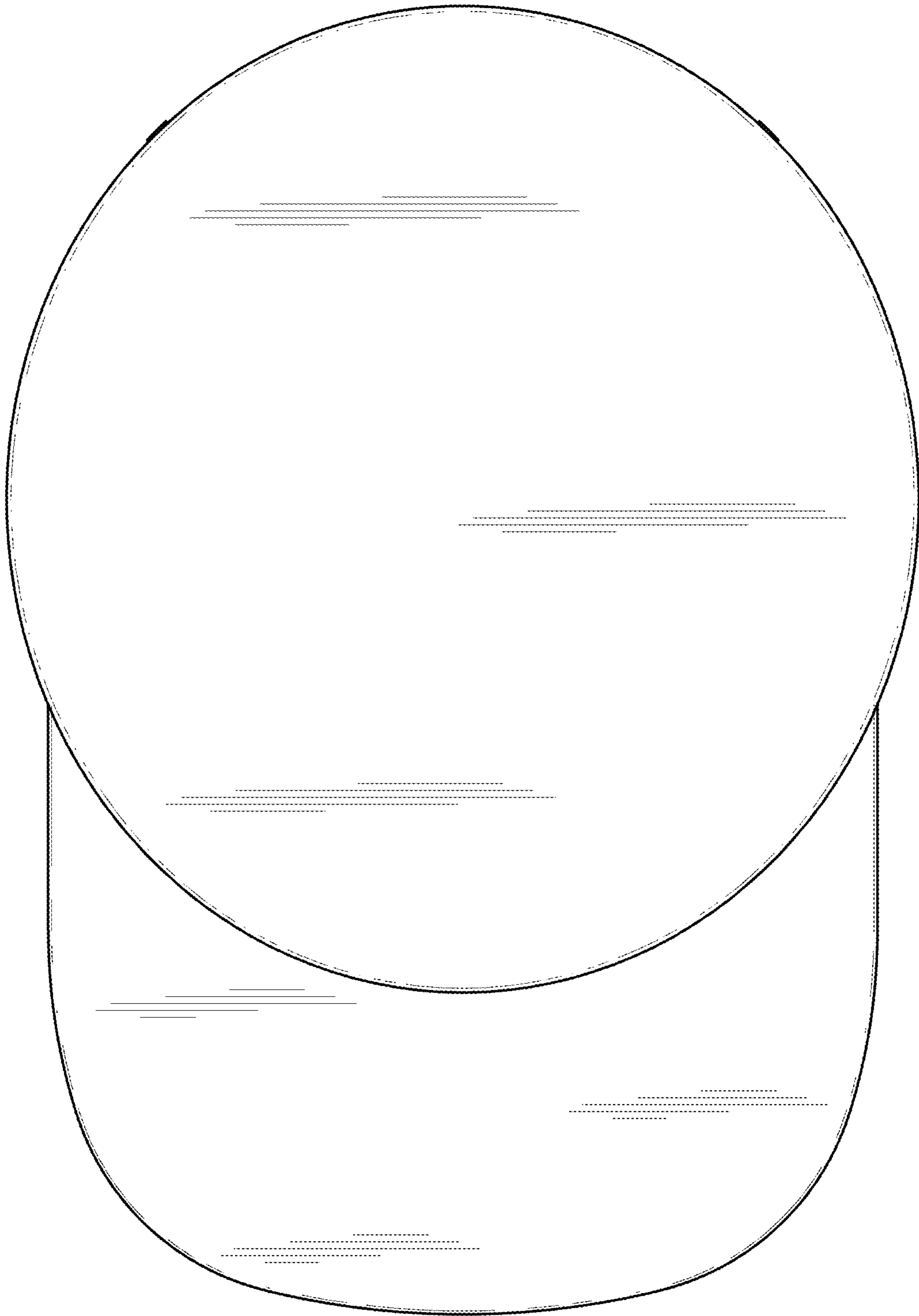


FIG. 6