



US00D793624S

(12) **United States Design Patent** (10) **Patent No.:** **US D793,624 S**
Hwang (45) **Date of Patent:** **** Aug. 1, 2017**

(54) **COMPACT**
(71) Applicant: **AMOREPACIFIC CORPORATION**,
Seoul (KR)
(72) Inventor: **Seung Ha Hwang**, Seoul (KR)
(73) Assignee: **AMOREPACIFIC CORPORATION**,
Seoul (KR)
(**) Term: **15 Years**
(21) Appl. No.: **29/543,878**
(22) Filed: **Oct. 29, 2015**

(30) **Foreign Application Priority Data**
Oct. 6, 2015 (KR) 30-2015-0050337
(51) **LOC (10) Cl.** **28-03**
(52) **U.S. Cl.**
USPC **D28/82**
(58) **Field of Classification Search**
USPC D28/76-84; D9/503-504
CPC A45D 33/00; A45D 33/006-33/16; A45D
33/18; A45D 33/20-33/24; A45D 34/00;
A45D 34/007; A45D 40/00; A45D
40/0006; A45D 40/0012; A45D 40/0018;
A45D 40/22-40/24; A45D 40/10; A45D
40/105; A45D 2200/05; A45D 2200/051
See application file for complete search history.

(56) **References Cited**
U.S. PATENT DOCUMENTS
D319,897 S * 9/1991 Bakic D28/82
D381,124 S * 7/1997 Blachut D28/78
D424,751 S * 5/2000 Kudo D28/78
D622,003 S * 8/2010 Naughton D28/82

D685,527 S * 7/2013 Eberlein D28/82
D697,674 S * 1/2014 You D28/82
D697,800 S * 1/2014 Villarreal D28/82
D721,853 S * 1/2015 Koo D28/82
D722,404 S * 2/2015 Son D28/82
D722,405 S * 2/2015 Hwang D28/82
D724,786 S * 3/2015 Jung D28/82
D726,377 S * 4/2015 Koo D28/82
D732,740 S * 6/2015 Yoon D28/82
D742,070 S * 10/2015 Park D28/82
D777,984 S * 1/2017 Son D28/82
2008/0011320 A1* 1/2008 Bouix A45D 33/006
132/293
2012/0305606 A1* 12/2012 Lee A45D 33/02
222/256
2013/0014778 A1* 1/2013 Zhang A45D 33/20
132/316

* cited by examiner

Primary Examiner — Jennifer Rivard
(74) *Attorney, Agent, or Firm* — Browdy and Neimark,
PLLC

(57) **CLAIM**

The ornamental design for a compact, as shown and described.

DESCRIPTION

FIG. 1 is a perspective view of new design for a compact as shown in the drawings;
FIG. 2 is a front elevation view;
FIG. 3 is a rear elevation view;
FIG. 4 is a left side view;
FIG. 5 is a right side view;
FIG. 6 is a top plan view; and,
FIG. 7 is a bottom plan view.
This design is characterized in the combination of the shape and the form of “compact.”

1 Claim, 7 Drawing Sheets

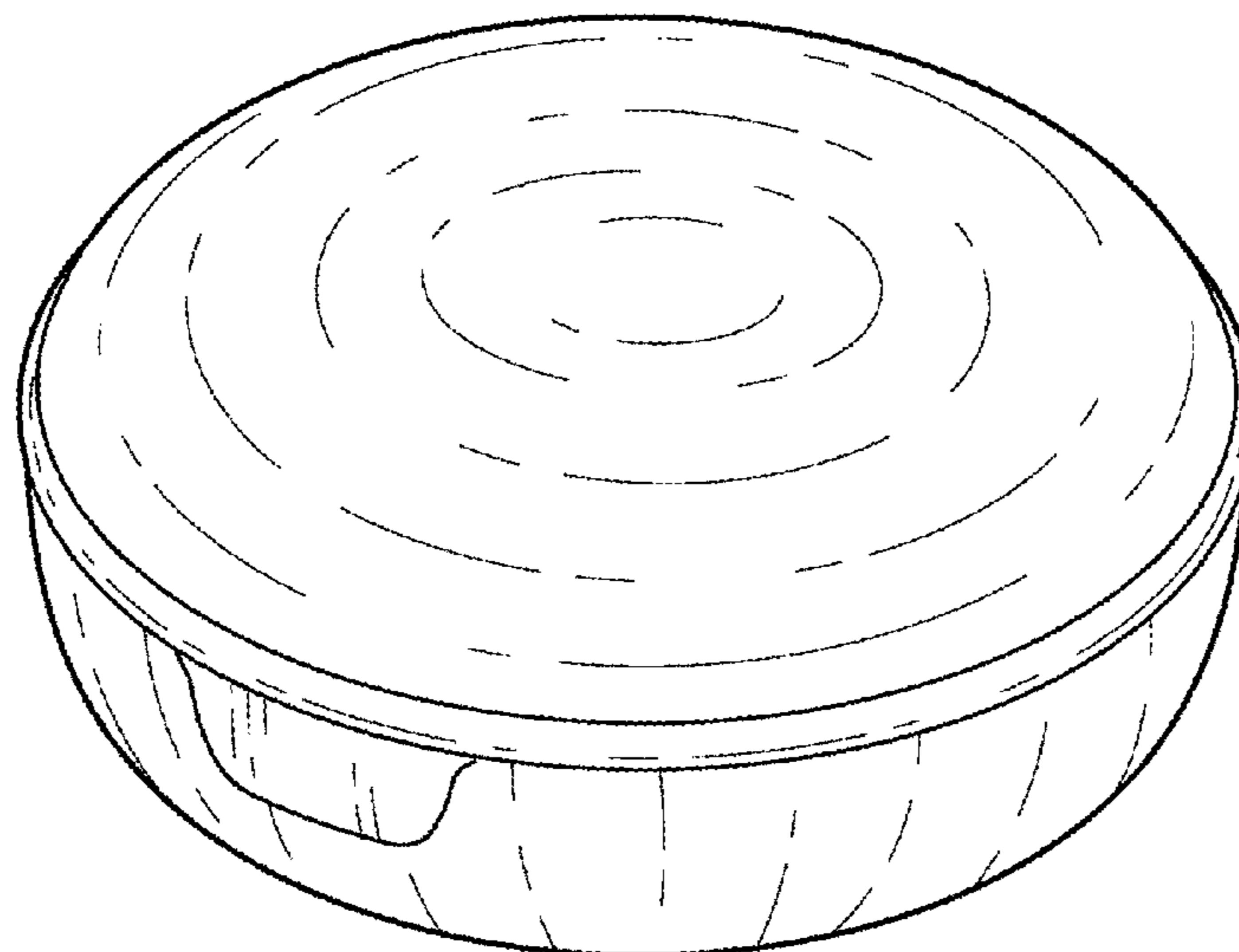


Fig. 1

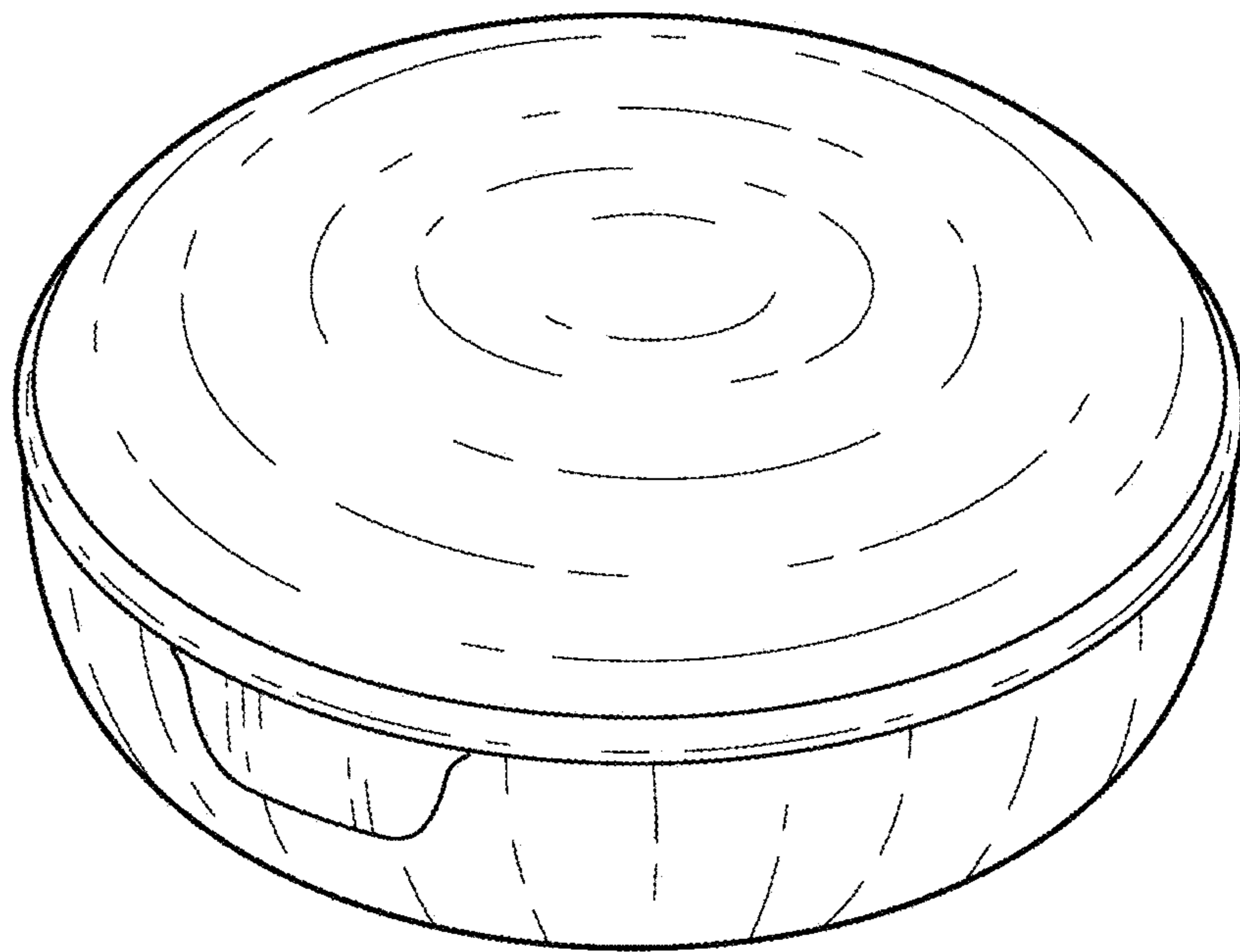


Fig. 2

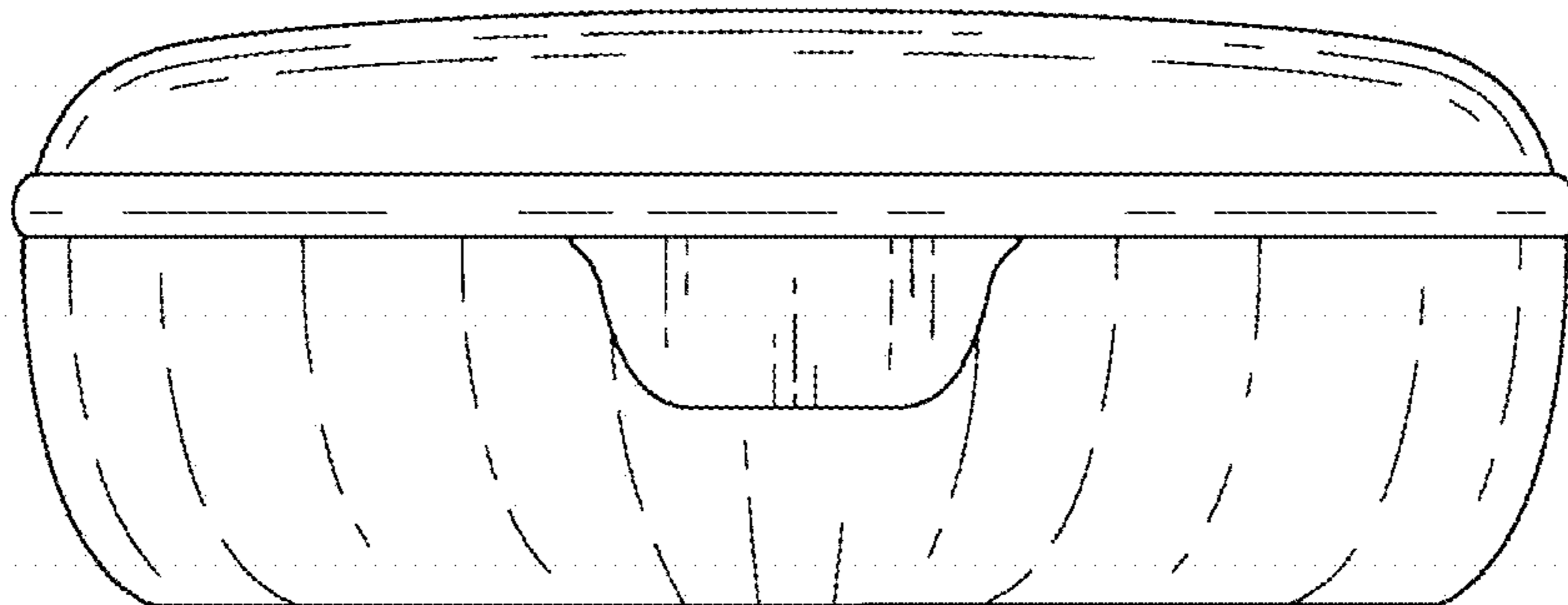


Fig. 3

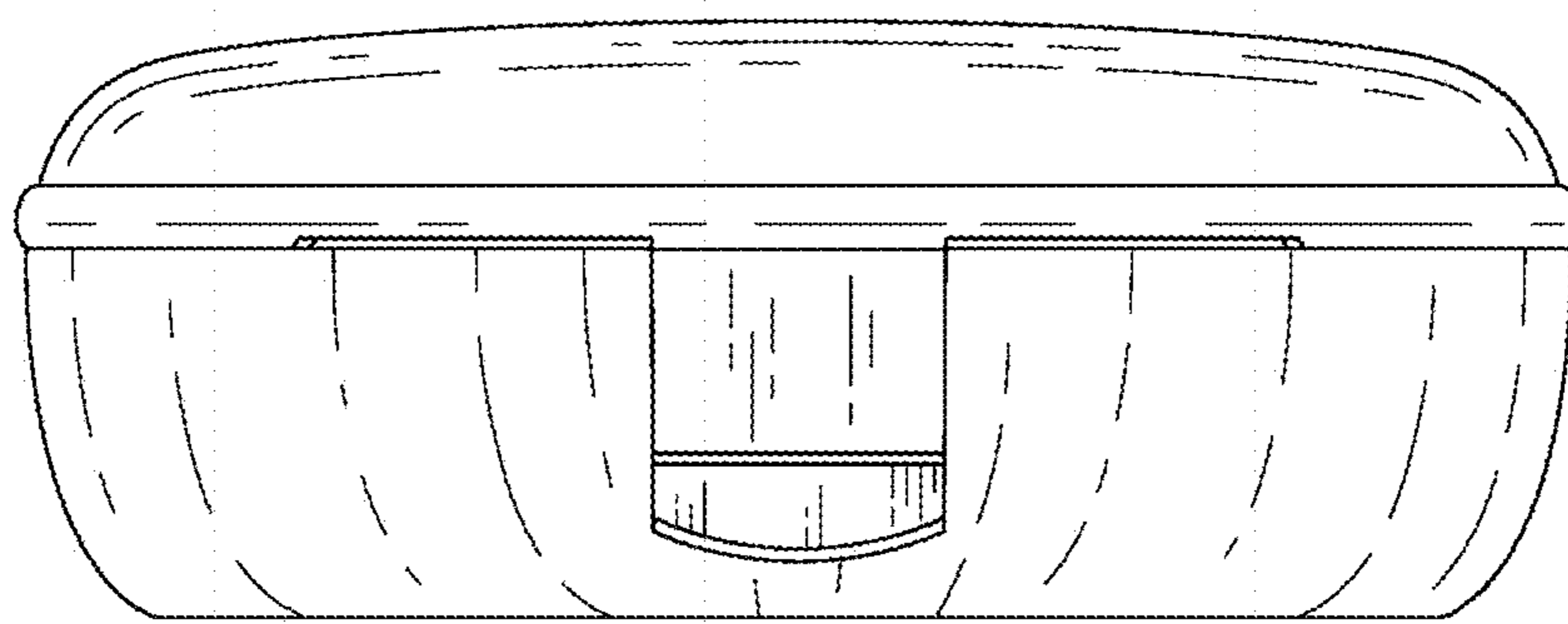


Fig. 4

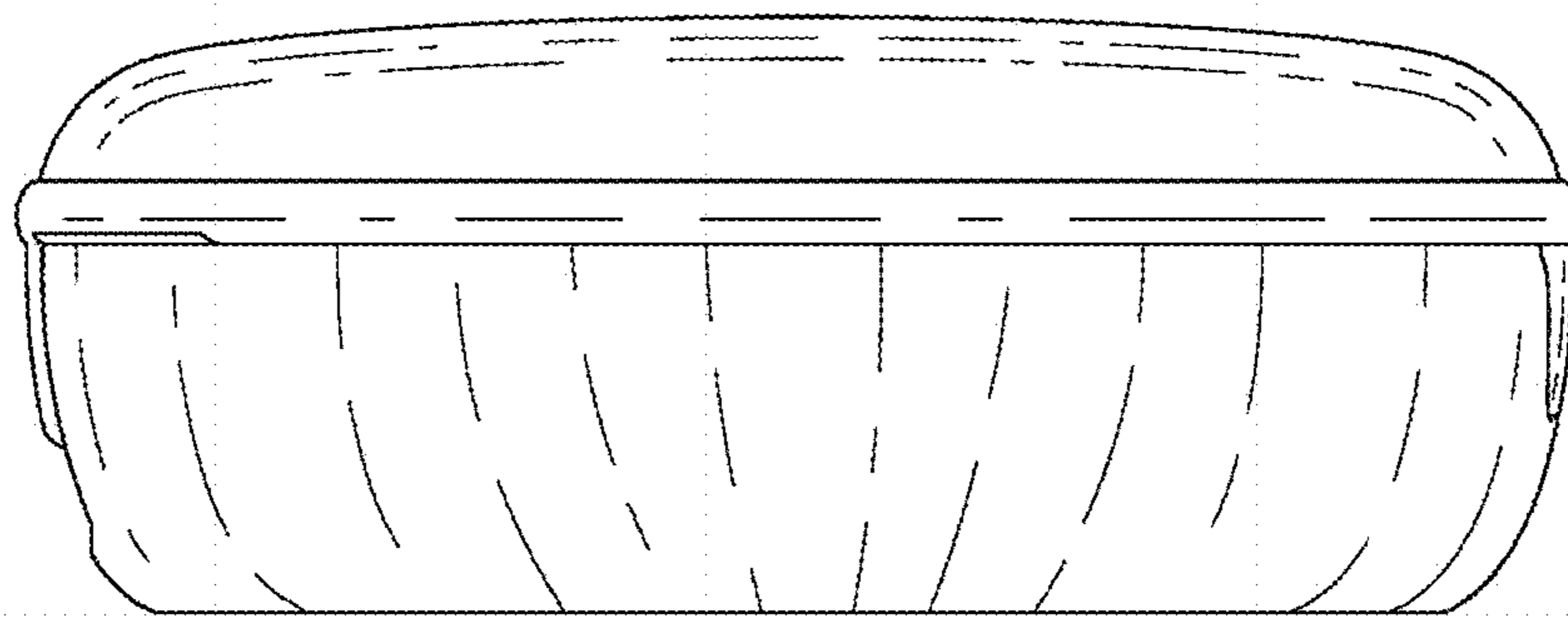


Fig. 5

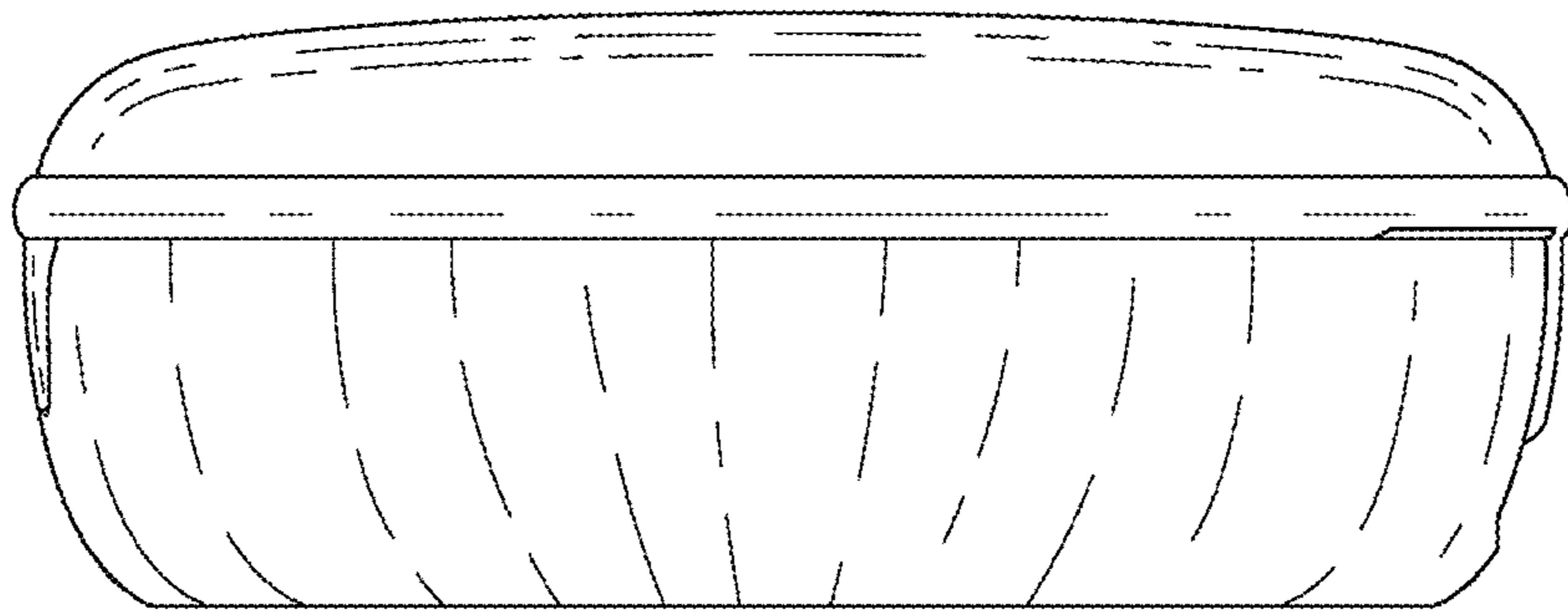


Fig. 6

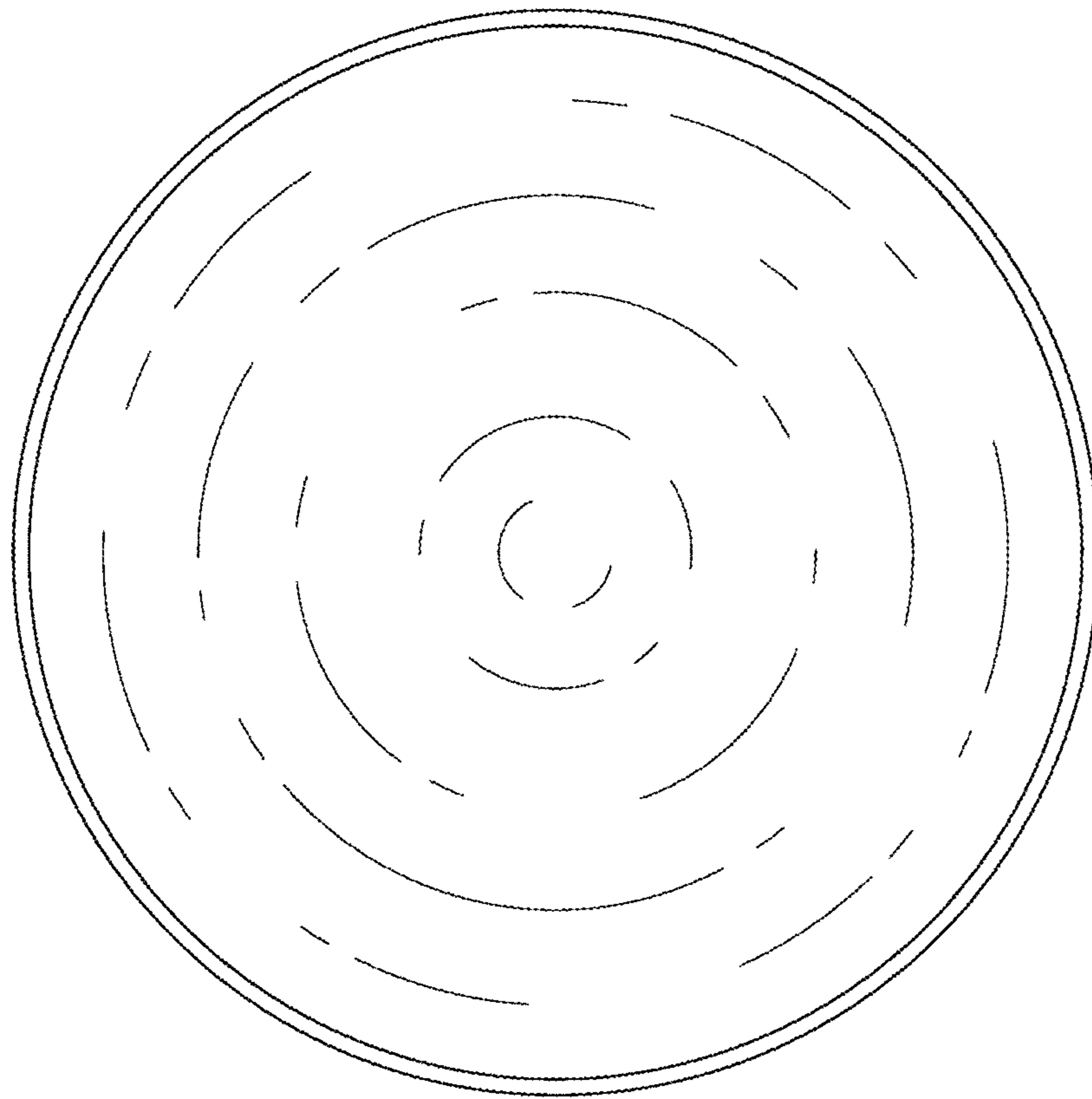


Fig. 7

