



US00D793617S

(12) **United States Design Patent** (10) **Patent No.:** **US D793,617 S**
Trzcielinski (45) **Date of Patent:** **** Aug. 1, 2017**

(54) **HOUSING FOR A LED-BASED LIGHTING APPARATUS**

(71) Applicant: **LED Labs sp. z o.o.**, Kraków (PL)

(72) Inventor: **Grzegorz Trzcielinski**, Kraków (PL)

(**) Term: **15 Years**

(21) Appl. No.: **29/557,319**

(22) Filed: **Mar. 8, 2016**

(51) **LOC (10) Cl.** **26-05**

(52) **U.S. Cl.**
USPC **D26/118**

(58) **Field of Classification Search**
USPC D26/20, 27, 30, 31, 32, 25, 35, 36, 42,
D26/46, 55, 69, 70, 78, 80, 101, 110,
D26/109, 118–120, 123, 124, 127, 133,
D26/134, 139; D7/416; D10/111–115;
D13/134, 158–178; D14/473; D99/99;
D25/126–135; D11/144
CPC . G02B 5/126; F21K 9/135; F21K 9/27; F21S
8/02; F21V 3/00; F21V 7/09; F21V
21/002; F21Y 2101/00; F21Y 2103/10;
F21Y 2107/30; F21Y 2115/10; E04B
1/98; H02G 3/0418

See application file for complete search history.

(56) **References Cited**

U.S. PATENT DOCUMENTS

3,078,971 A * 2/1963 Wallerstein, Jr. E04B 1/98
174/42
D269,968 S * 8/1983 Rodriguez Moura D13/155
6,903,265 B1 * 6/2005 VanderVelde H02G 3/0418
174/481
D535,035 S * 1/2007 Ohanesian D25/135

D623,342 S * 9/2010 Klu D26/138
D623,343 S * 9/2010 Klus D26/138
D665,123 S * 8/2012 Douglas D26/138
D671,659 S * 11/2012 Clayton D25/126
D693,051 S * 11/2013 Klu D26/138
D724,256 S * 3/2015 Klus D26/141
D731,700 S * 6/2015 Santoro D26/118
D765,883 S * 9/2016 Jaimes D25/119
2003/0103347 A1 * 6/2003 Friend F21V 21/002
362/225

OTHER PUBLICATIONS

“Aluminum Surface Mount LED Profile Housing for LED Strip Lights—Eco TAMI Series” Dec. 30, 2015, superbrightleds.com, site visited Feb. 13, 2017 <<https://www.superbrightleds.com/moreinfo/housings/klus-b5390-eco-series-surface-mount-aluminum-led-profile-housing-tami/1559/>>.*

* cited by examiner

Primary Examiner — Kevin Rudzinski

Assistant Examiner — Paul Bohannon

(74) *Attorney, Agent, or Firm* — Vladimir Tsirkin

(57) **CLAIM**

The ornamental design for a housing for a LED-based lighting apparatus, as shown and described.

DESCRIPTION

FIG. 1 is a front isometric view of a housing for a LED based lighting apparatus;

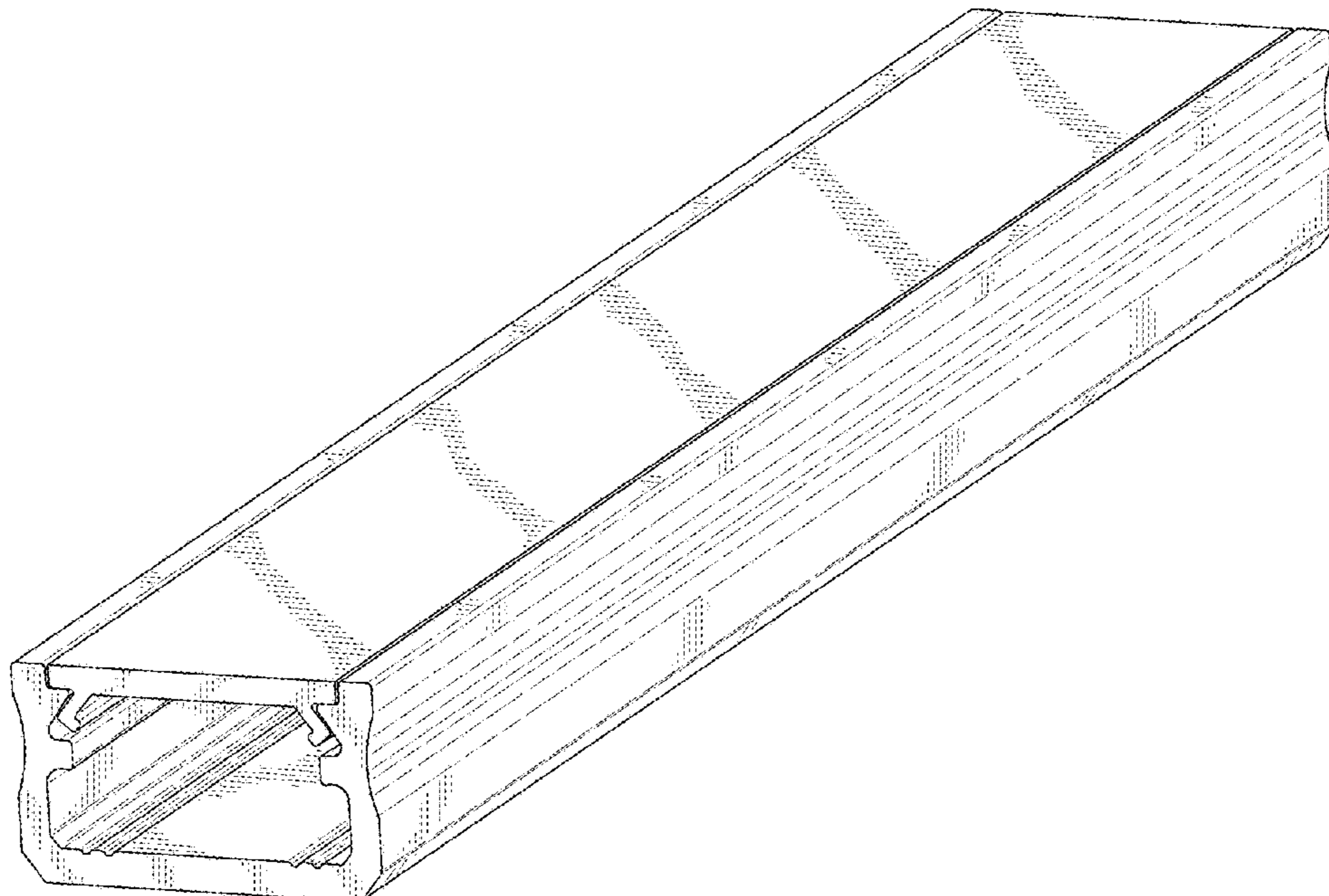
FIG. 2 is a front view of the housing shown in FIG. 1;

FIG. 3 is a side view of the housing shown in FIG. 1;

FIG. 4 is a top view of the housing shown in FIG. 1; and,

FIG. 5 is a bottom view of the housing shown in FIG. 1.

1 Claim, 5 Drawing Sheets



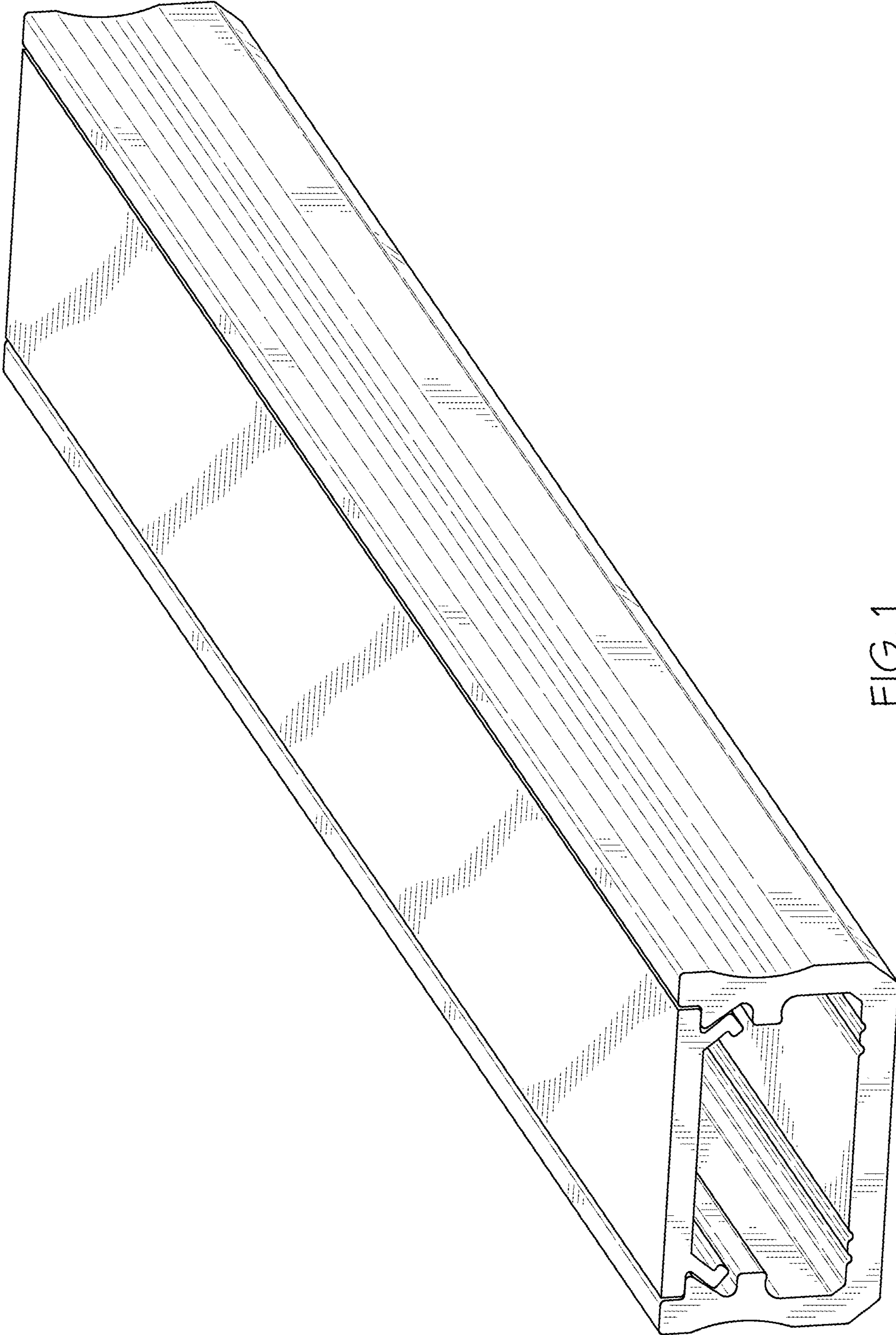


FIG. 1

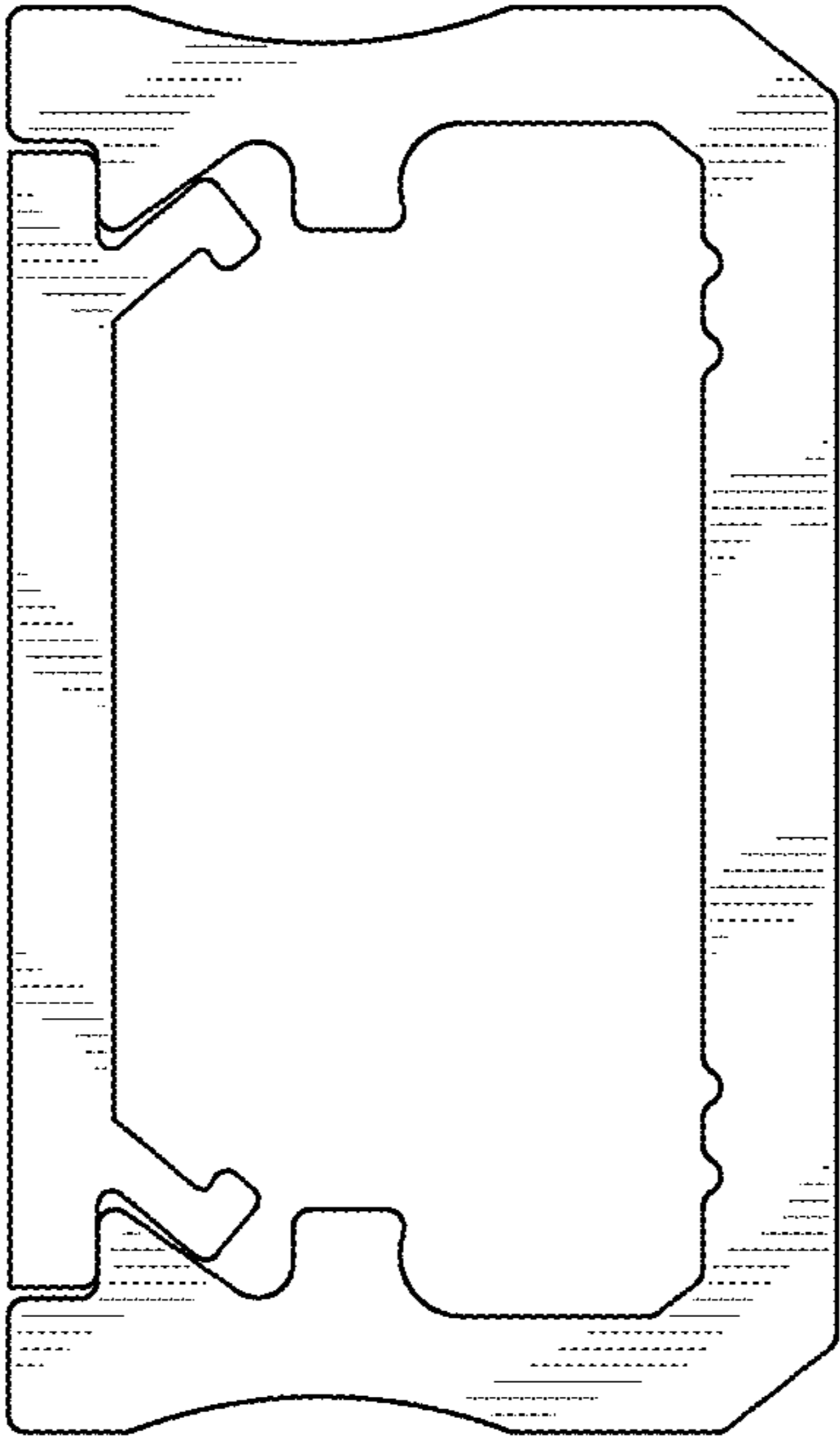


FIG. 2

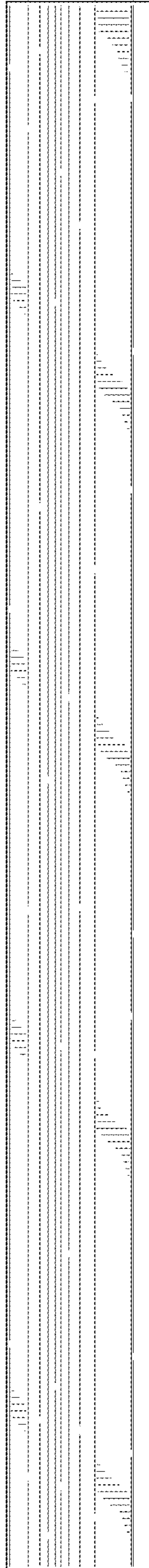


FIG. 3

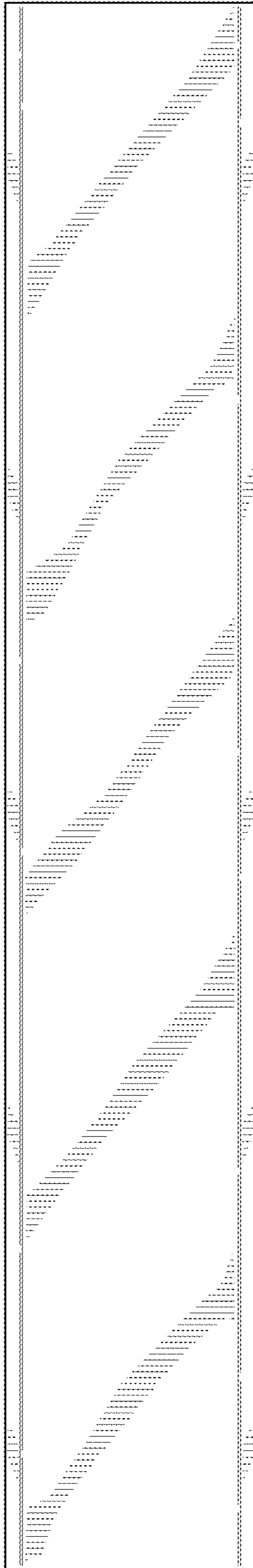


FIG. 4

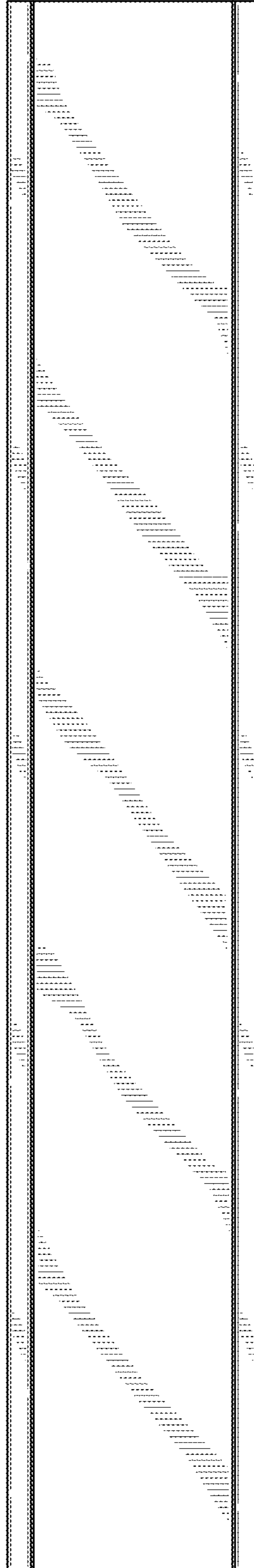


FIG. 5