



US00D793614S

(12) **United States Design Patent** (10) **Patent No.:** **US D793,614 S**  
**Patton et al.** (45) **Date of Patent:** **\*\* Aug. 1, 2017**

(54) **WINDOW TAPER CANDLE**  
(71) Applicant: **Luminara Worldwide, LLC**, Eden Prairie, MN (US)

D545,458 S 6/2007 Jensen  
D576,317 S 9/2008 Jensen  
D612,076 S 3/2010 Peterson  
D645,171 S 9/2011 Hau et al.  
(Continued)

(72) Inventors: **Douglas Patton**, Irvine, CA (US);  
**Channing Shattuck**, Bonsall, CA (US)

FOREIGN PATENT DOCUMENTS

(73) Assignee: **Luminara Worldwide, LLC**, Eden Prairie, MN (US)

CA 2804583 A1 1/2014  
CN 101865413 A 10/2010  
(Continued)

(\*\*) Term: **15 Years**

OTHER PUBLICATIONS

(21) Appl. No.: **29/559,448**

EM Design Registration No. 002417550-0001, Innovation Industrial Group (HK) Limited, registered Mar. 4, 2014.

(22) Filed: **Mar. 28, 2016**

(51) **LOC (10) Cl.** ..... **26-03**

*Primary Examiner* — Brian N Vinson

(52) **U.S. Cl.**  
USPC ..... **D26/96**

(74) *Attorney, Agent, or Firm* — Fish & Tsang LLP

(58) **Field of Classification Search**  
USPC ..... D26/4, 5, 6, 7, 9, 96  
CPC .... F21S 6/00; F21S 6/001; F21S 10/04; F21S 10/10; F21S 10/043; F21S 8/08; F21S 48/115; F21S 13/12; F21V 21/00; F21V 35/00; F21W 2121/00; C11C 5/002; C11C 5/004  
See application file for complete search history.

(57) **CLAIM**

We claim the ornamental design for a window taper candle, as shown and described.

**DESCRIPTION**

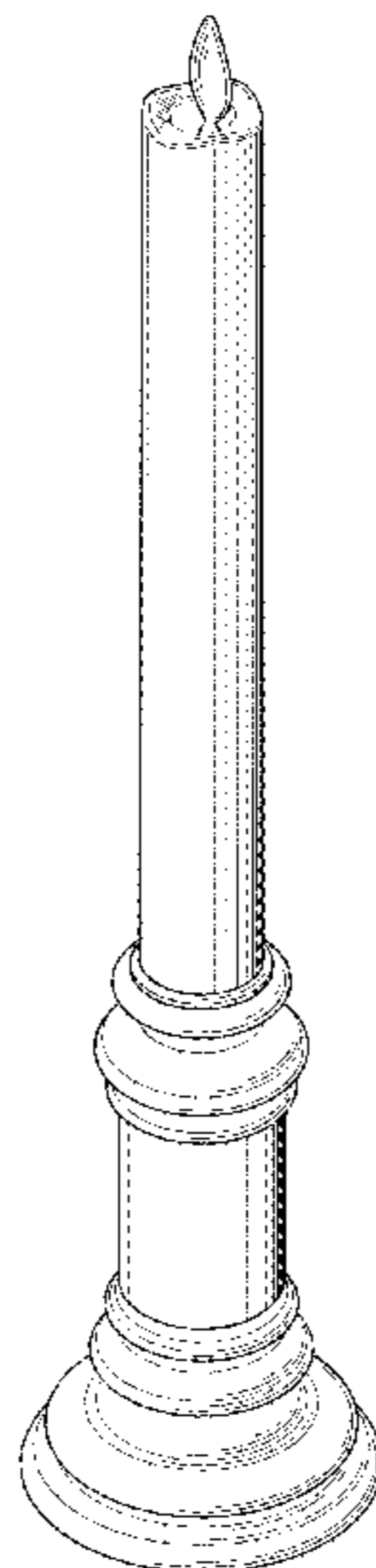
(56) **References Cited**

U.S. PATENT DOCUMENTS

D102,561 S 12/1936 Thomas  
3,326,021 A \* 6/1967 Latulippe ..... F21S 13/12  
431/125  
D267,981 S \* 2/1983 Montague, Jr. .... D26/96  
D292,323 S \* 10/1987 Vandrilla ..... D26/96  
D293,826 S 1/1988 Berg  
D299,556 S \* 1/1989 Marshbanks ..... D26/96  
5,813,098 A \* 9/1998 Schneider ..... F21V 35/00  
27/1  
D406,379 S 3/1999 Andrews  
D432,258 S \* 10/2000 Fussell ..... D26/96  
D474,302 S 5/2003 Jensen  
D488,582 S 4/2004 Connelly

FIG. 1 is a top, front, and right side perspective view of a window taper candle showing our new design.  
FIG. 2 is a front elevation view of the first embodiment of a window taper candle.  
FIG. 3 is a rear elevation view of the first embodiment of a window taper candle.  
FIG. 4 is a left side elevation view the right side elevation view being a mirror image of the first embodiment of a window taper candle.  
FIG. 5 is a top plan view of the first embodiment of a window taper candle; and,  
FIG. 6 is a bottom plan view of the first embodiment of a window taper candle.  
The broken line disclosure represents portions of the candle which form no part of the claimed design.

**1 Claim, 3 Drawing Sheets**



(56)

**References Cited**

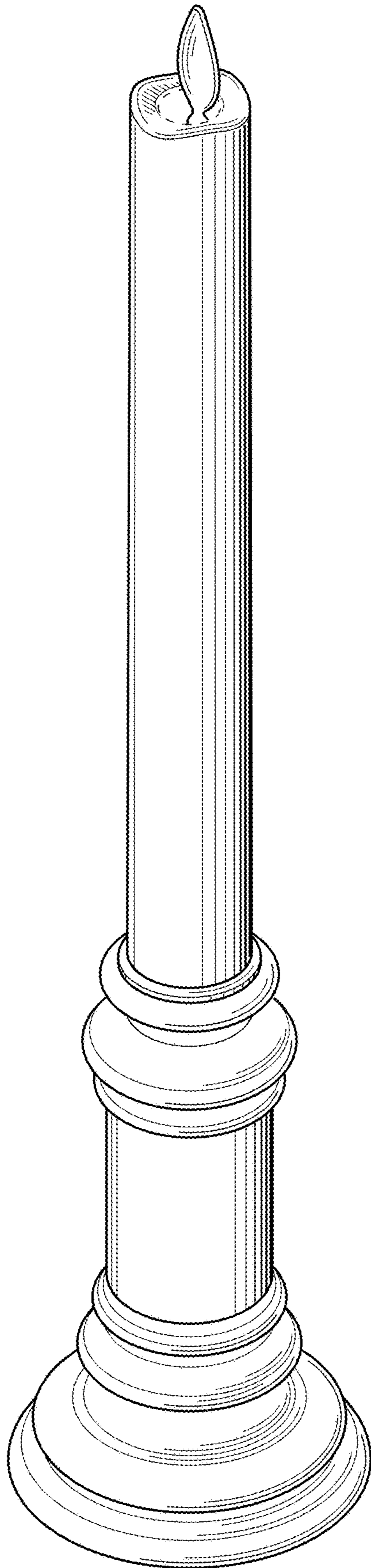
U.S. PATENT DOCUMENTS

D669,615 S 10/2012 Delcotto et al.  
D706,963 S 6/2014 Thompson  
D739,573 S 9/2015 Li  
D740,460 S 10/2015 Thompson et al.  
D743,096 S 11/2015 Patton et al.  
D748,298 S 1/2016 Li  
D757,335 S \* 5/2016 Li ..... D26/96  
2006/0146544 A1 7/2006 Leung

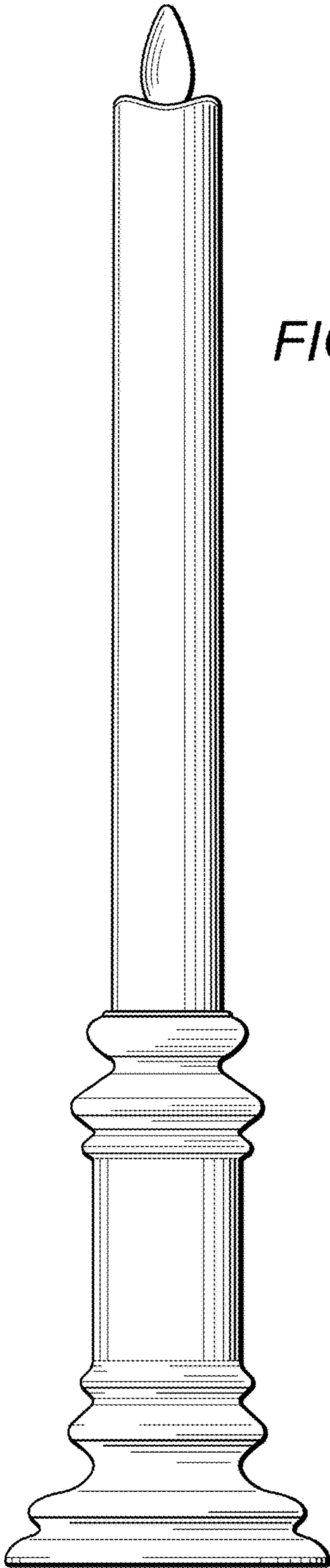
FOREIGN PATENT DOCUMENTS

CN 20172414 U 1/2011  
CN 102734740 A 10/2012  
CN 203024053 U 6/2013  
CN 102721002 A 6/2014  
CN 303219547 S 5/2015  
CN 303219548 S 5/2015  
CN 303219549 S 5/2015  
CN 303219555 S 5/2015  
CN 303219556 S 5/2015  
CN 303219560 S 5/2015  
CN 303219561 S 5/2015  
EP 2587127 A1 5/2013

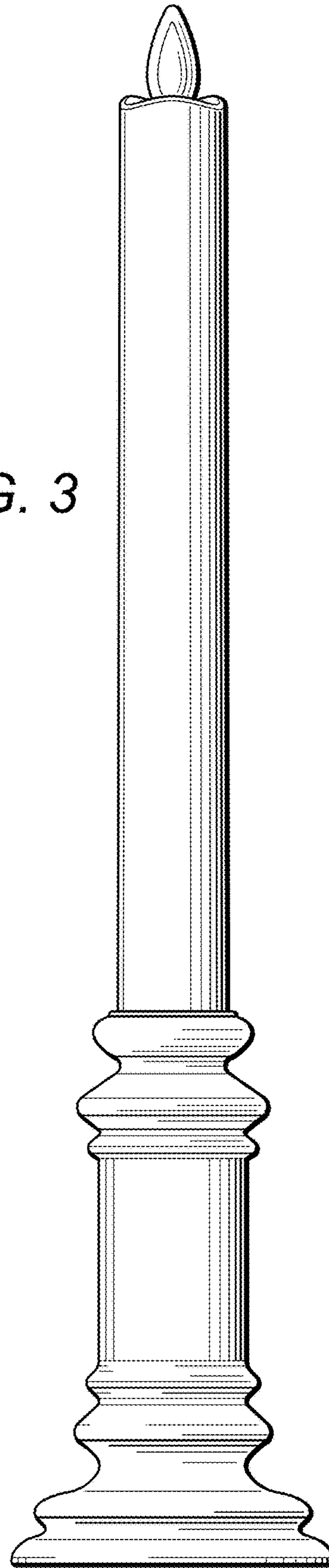
\* cited by examiner



*FIG. 1*



*FIG. 2*



*FIG. 3*



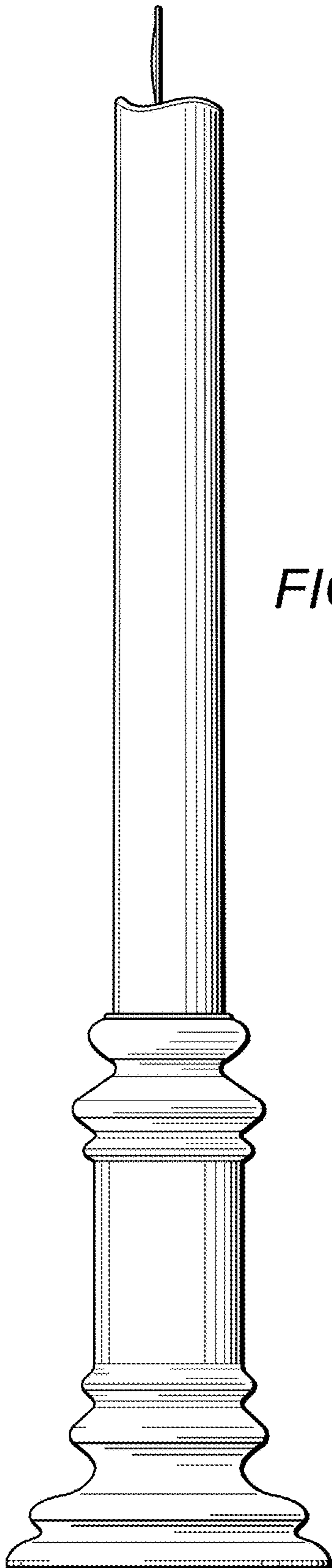


FIG. 4

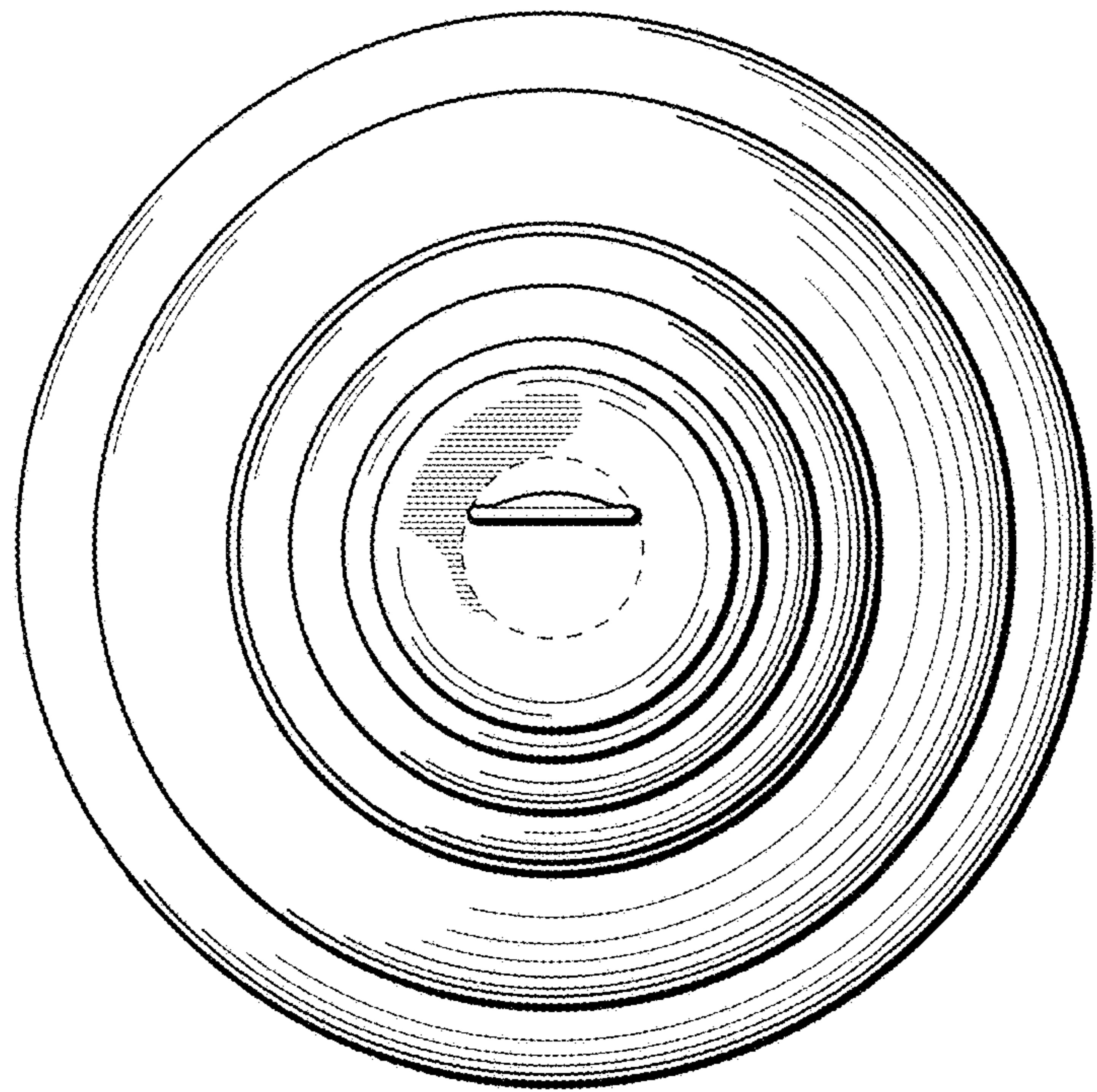


FIG. 5

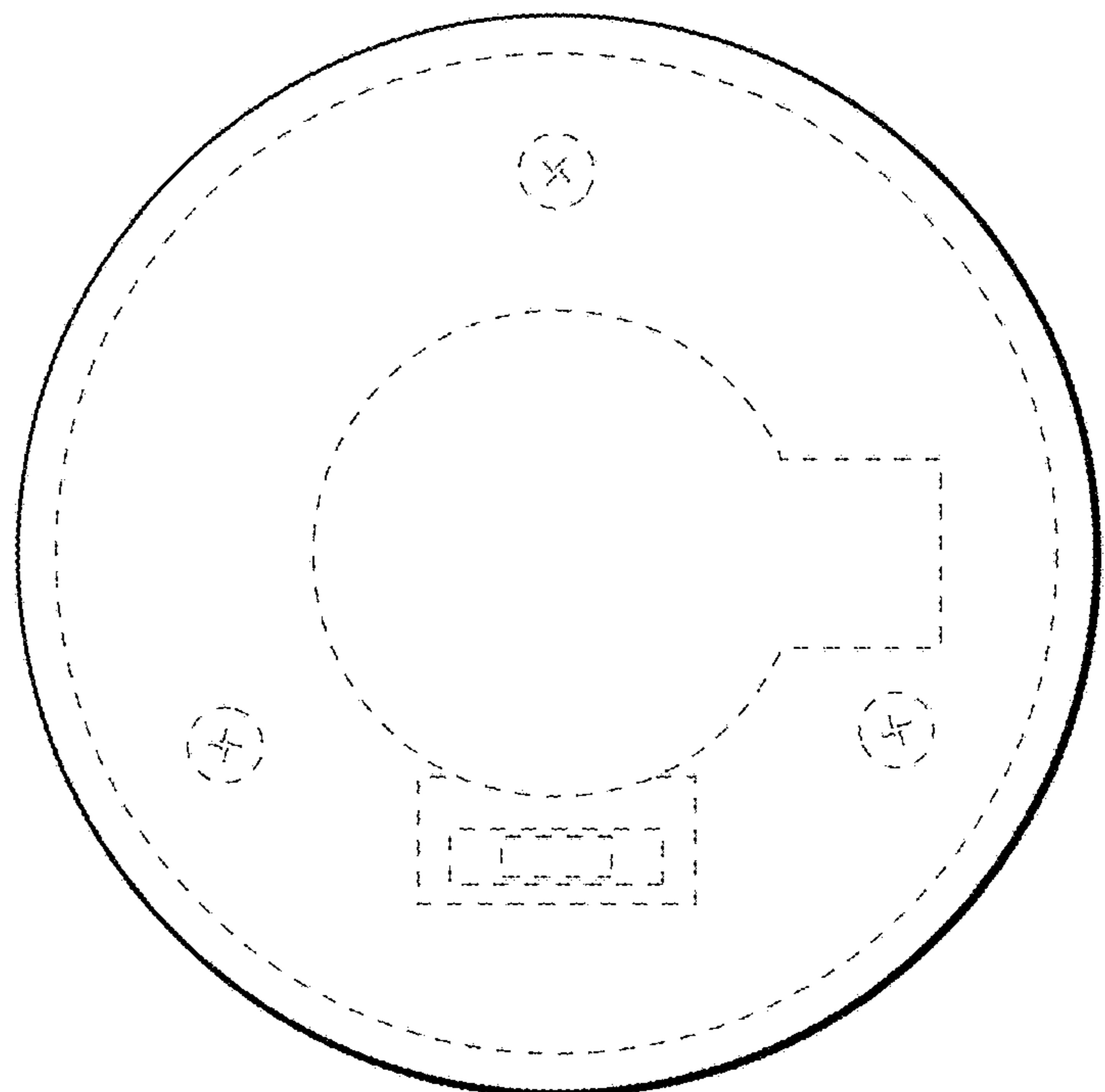


FIG. 6