



US00D793612S

(12) **United States Design Patent** (10) **Patent No.:** **US D793,612 S**
Sonneman (45) **Date of Patent:** **** Aug. 1, 2017**

(54) **LIGHT FIXTURE**

(71) Applicant: **Robert A. Sonneman**, Mamaroneck, NY (US)

(72) Inventor: **Robert A. Sonneman**, Mamaroneck, NY (US)

(**) Term: **15 Years**

(21) Appl. No.: **29/594,197**

(22) Filed: **Feb. 16, 2017**

(51) **LOC (10) Cl.** **26-03**

(52) **U.S. Cl.**
USPC **D26/89**; D26/86

(58) **Field of Classification Search**
USPC D26/80-91, 118, 128
CPC F21S 8/03; F21S 8/033; F21S 8/036; F21S 8/04; F21S 8/043; F21S 8/046; F21S 8/06; F21S 8/061; F21S 8/063; F21S 8/065; F21S 8/068
See application file for complete search history.

(56) **References Cited**

U.S. PATENT DOCUMENTS

D77,765 S *	2/1929	Guth	D26/81
D113,971 S *	3/1939	Kirk	D26/88
D161,830 S *	2/1951	Grossman	D26/128
D212,708 S *	11/1968	Mayer et al.	D26/86
D252,833 S *	9/1979	Bowser	D26/85
D294,398 S *	2/1988	Platner	D26/81
D298,059 S *	10/1988	Muller	D26/86
D303,435 S *	9/1989	Mason	D26/86
D303,436 S *	9/1989	Clyde-Mason	D26/86
D303,437 S *	9/1989	Mason	D26/86
D339,651 S *	9/1993	Vieyra	D26/84
D485,002 S *	1/2004	Lin	D26/85
D550,391 S *	9/2007	Cesaro	D26/86
7,740,367 B2 *	6/2010	Koren	F21V 23/06 362/101
7,878,692 B2 *	2/2011	Soderman	F21V 15/01 362/249.02

D635,711 S *	4/2011	Scutella'	D26/88
D665,525 S *	8/2012	Patterson	D26/86
D667,986 S *	9/2012	Decq	D26/89
RE45,162 E *	9/2014	Hierzer	D26/74
2009/0122553 A1 *	5/2009	Soderman	F21K 9/00 362/294
2014/0211457 A1 *	7/2014	Tarsa	F21S 8/06 362/147

OTHER PUBLICATIONS

Pirce light fixture shown on p. 275 of the Artemide Design 2015 catalog. (2 pages—includes front cover of catalog).*

(Continued)

Primary Examiner — Clare E Heflin
(74) *Attorney, Agent, or Firm* — Gottlieb, Rackman & Reisman, P.C.

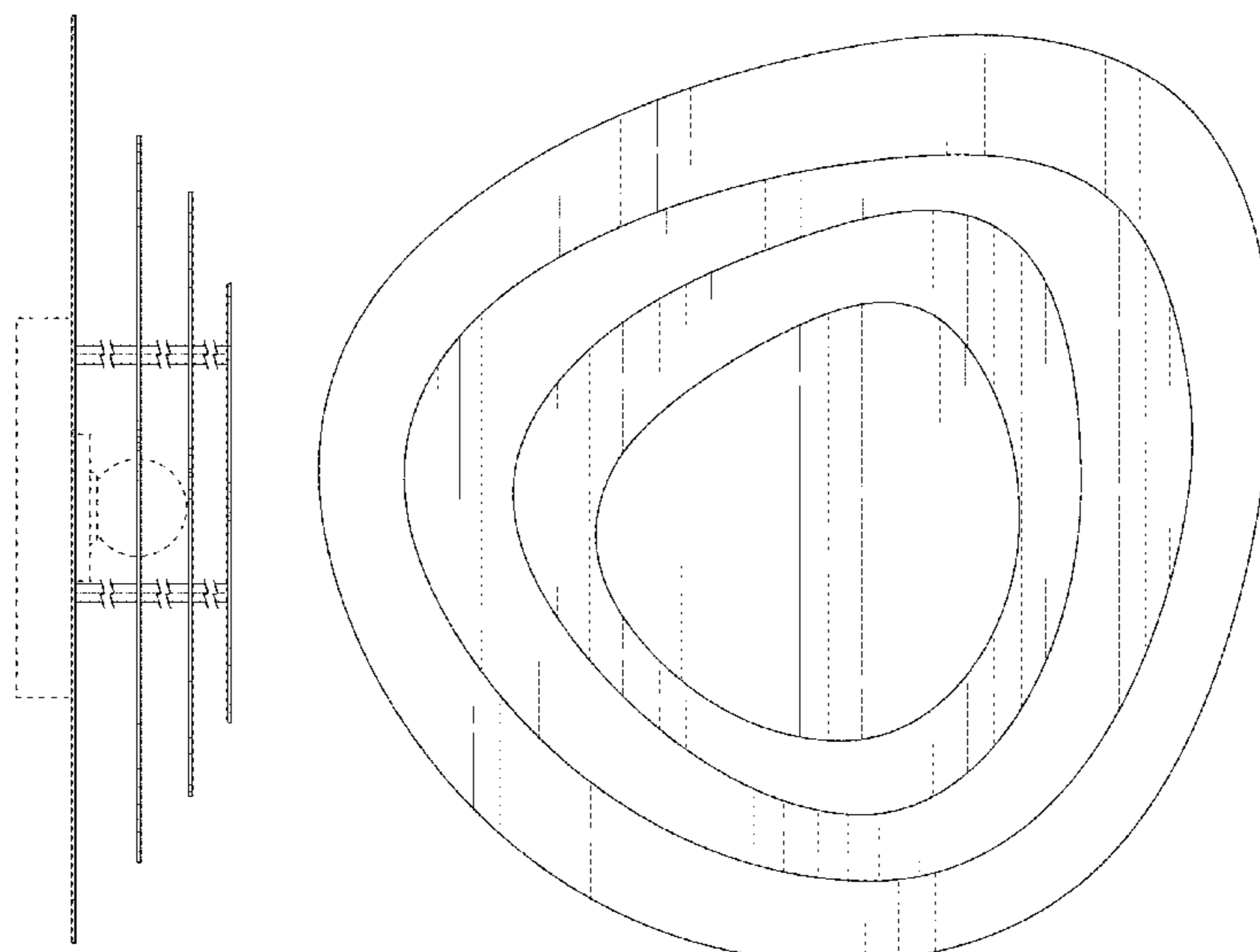
(57) **CLAIM**

The ornamental design for a light fixture, as shown and described.

DESCRIPTION

FIG. 1 is a perspective view of the light fixture showing my new design;
FIG. 2 is a left side elevational view thereof;
FIG. 3 is a right side elevational view thereof;
FIG. 4 is a front elevational view thereof;
FIG. 5 is a rear elevational view thereof;
FIG. 6 is a top plan view thereof; and,
FIG. 7 is a bottom plan view thereof.
The break lines are to indicate that the appearance of any portion of the light fixture between the break lines forms no part of the claimed design, and
The broken lines shown in the drawings are included for the purpose of illustrating portions of the article that form no part of the claimed design.

1 Claim, 5 Drawing Sheets



(56)

References Cited

OTHER PUBLICATIONS

Forecast Hollywood Hills Collection 10" wide ceiling light. Found at eurostylelighting.com visited Aug. 5, 2010.*

Saturn II LED flushmount No. E22667-11MS from Maxim Lighting. Found at et2online.com, visited May 10, 2017.*

Abstract Panels 4-Plate LED sconce Item # 2694.98 from son-nemanawayofflight.com visited May 11, 2017. Dated Oct. 20, 2016. (2 pages).*

* cited by examiner

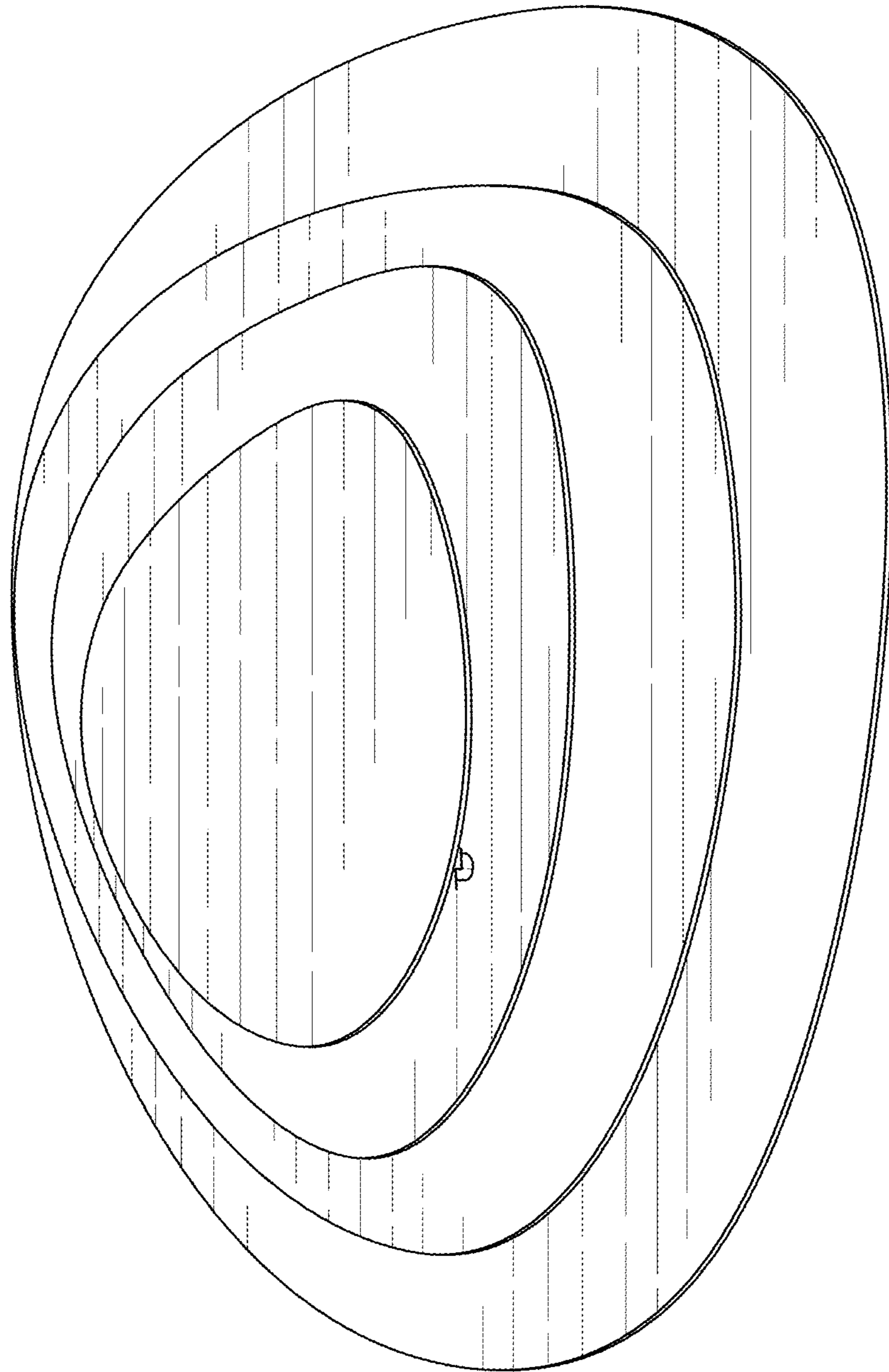


FIG. 1

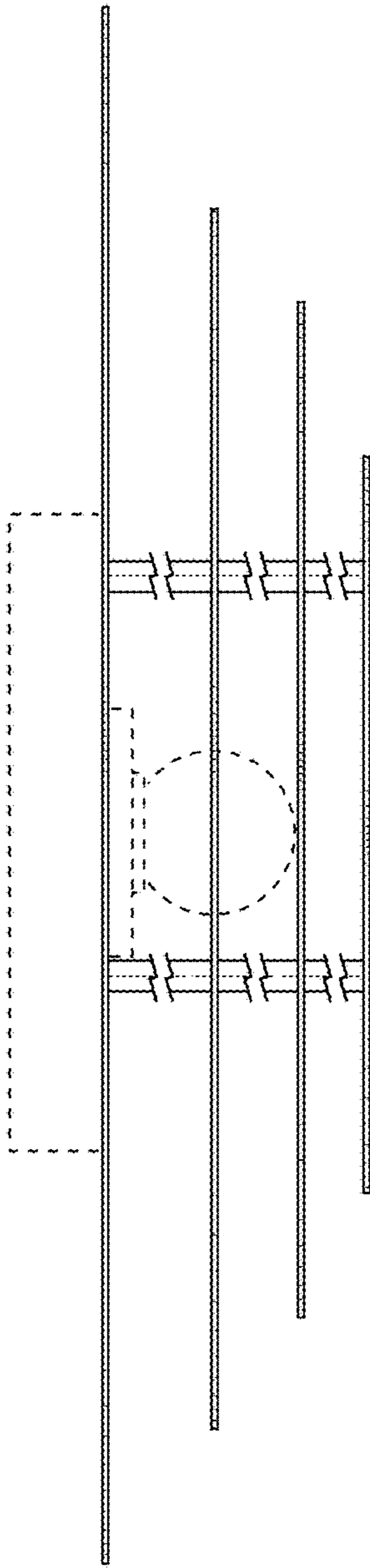


FIG. 2

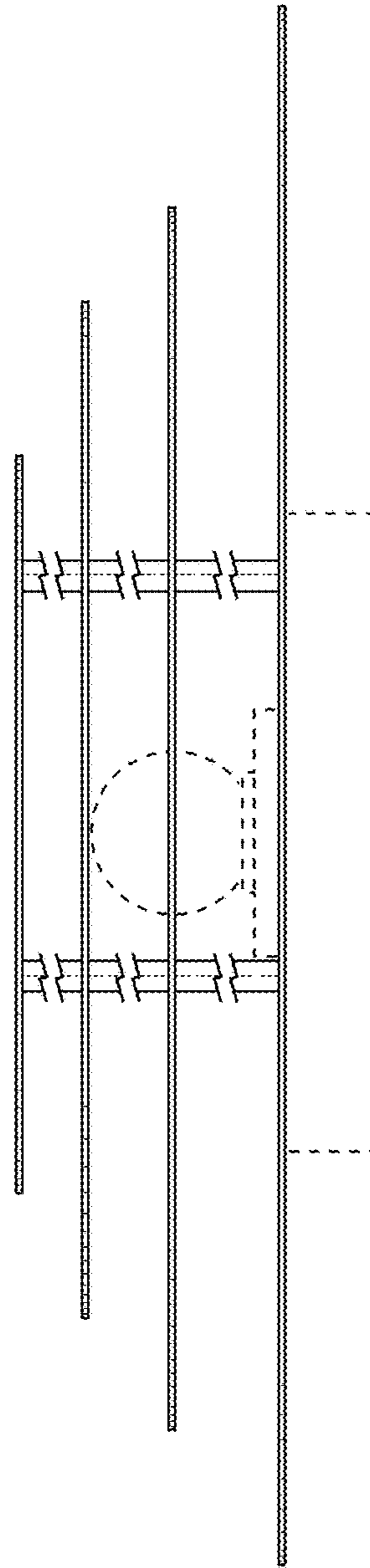


FIG. 3

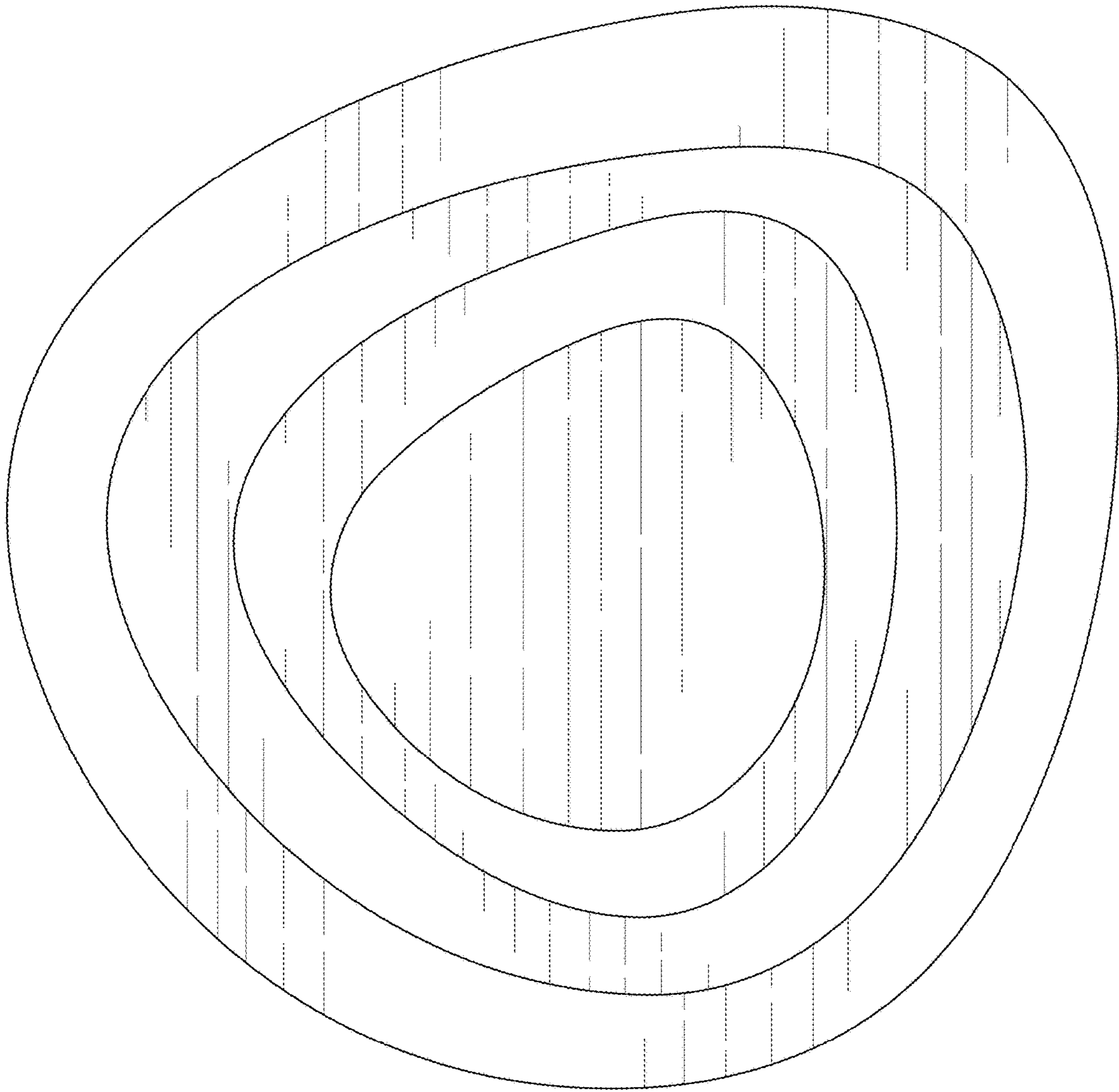


FIG. 4

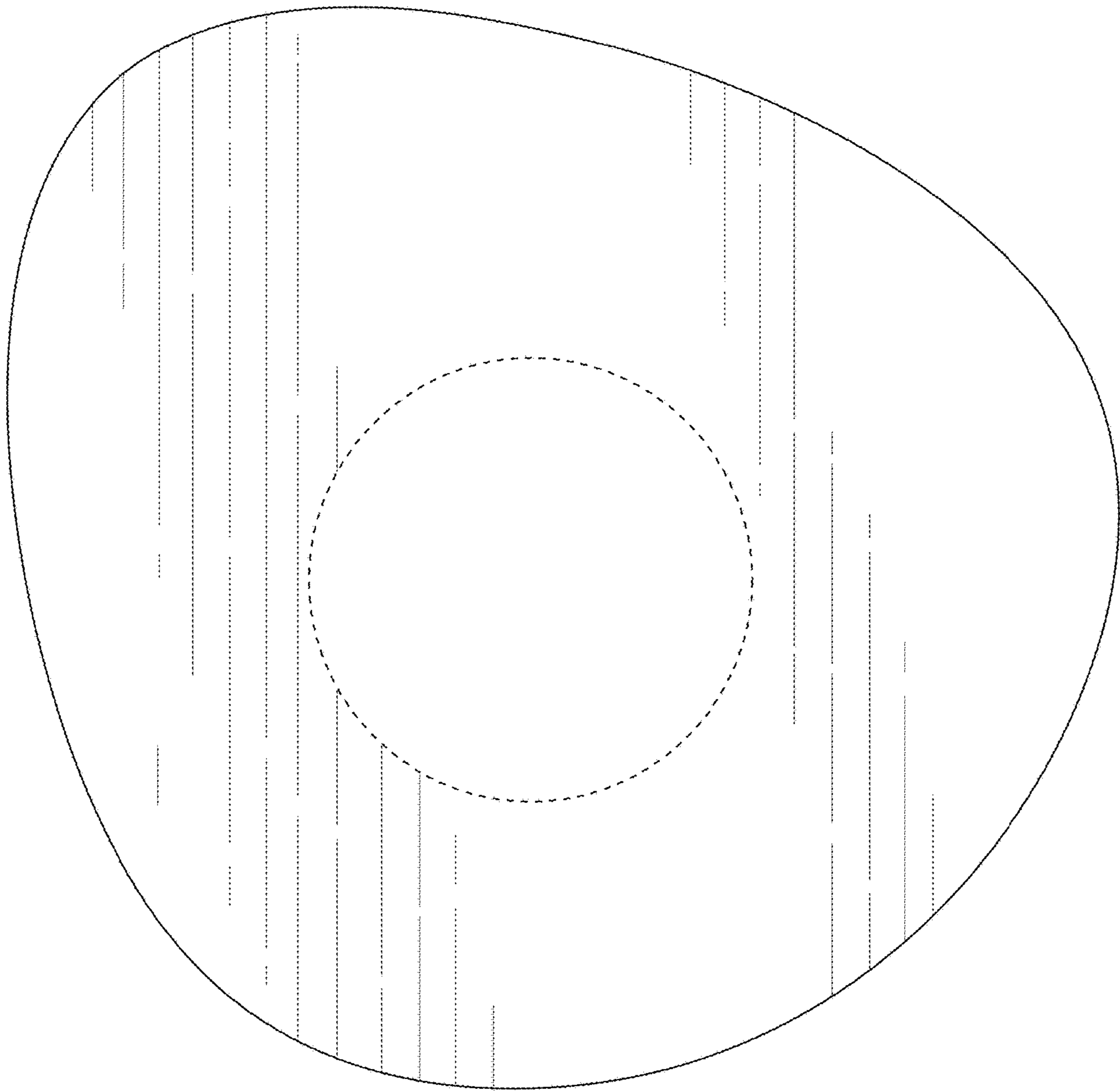


FIG. 5

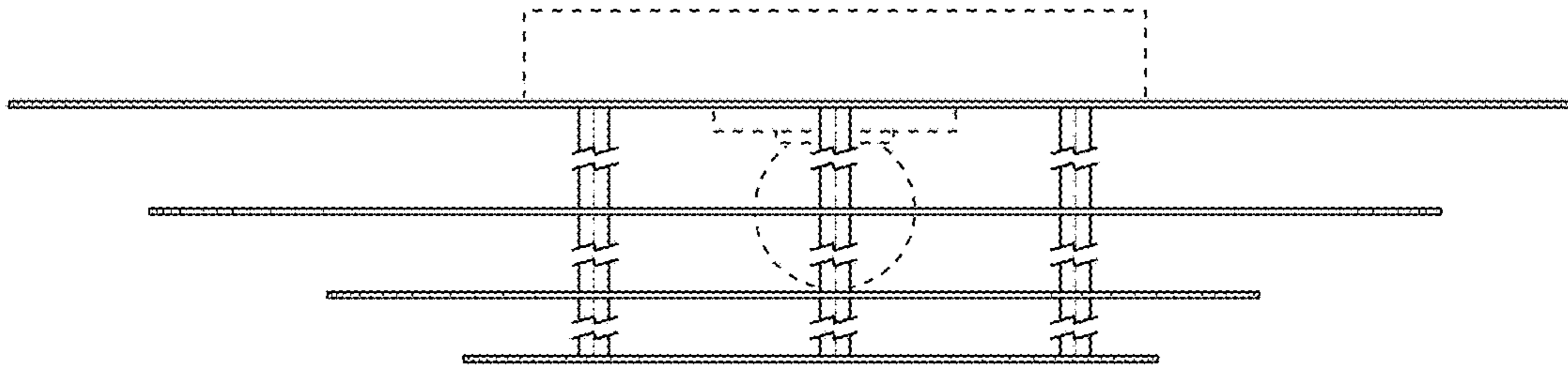


FIG. 6

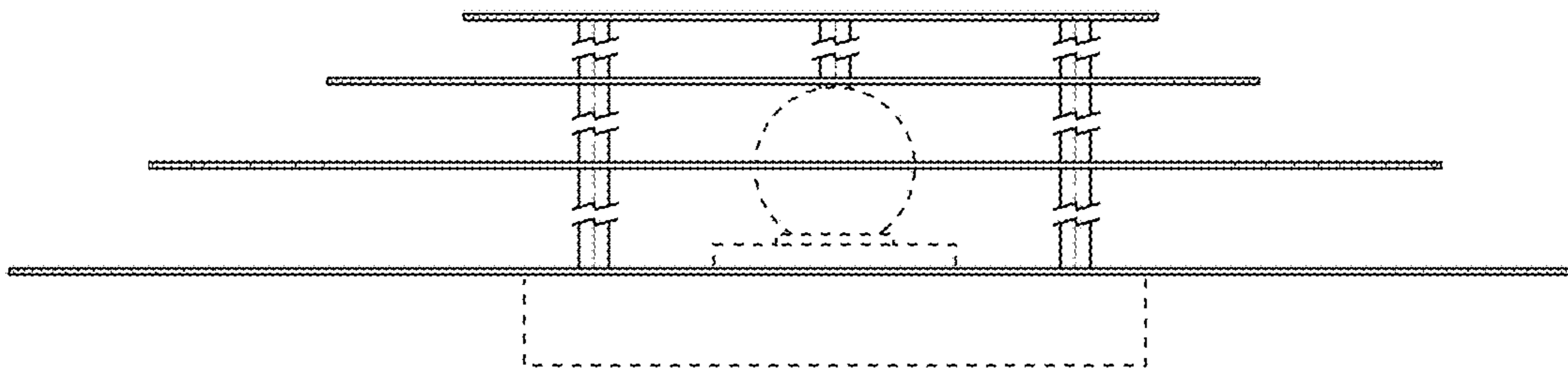


FIG. 7