



US00D793611S

(12) **United States Design Patent** (10) **Patent No.:** **US D793,611 S**  
**Goorsenberg** (45) **Date of Patent:** **\*\* \*Aug. 1, 2017**

(54) **HANGING LAMP**

(71) Applicant: **Goorsenberg Beheer B.V.**, Nijmegen (NL)

(72) Inventor: **Hendrikus Wilhelmus Johannes Goorsenberg**, Nijmegen (NL)

(73) Assignee: **GOORSENBERG BEHEER B.V.**, Nijmegen (NL)

(\*) Notice: This patent is subject to a terminal disclaimer.

(\*\*) Term: **15 Years**

(21) Appl. No.: **29/551,427**

(22) Filed: **Jan. 13, 2016**

(51) **LOC (10) Cl.** ..... **26-03**

(52) **U.S. Cl.**  
USPC ..... **D26/88**

(58) **Field of Classification Search**  
USPC ..... D26/81-91, 143, 144  
CPC .... F21S 8/04; F21S 8/043; F21S 8/046; F21S 8/06; F21S 8/061; F21S 8/063; F21S 8/065  
See application file for complete search history.

(56) **References Cited**

**U.S. PATENT DOCUMENTS**

D67,022 S \* 4/1925 Gezelschap, Jr. .... D26/82  
D68,052 S \* 8/1925 Klein ..... D26/83

D68,681 S \* 11/1925 Von Nessen ..... D26/82  
D72,852 S \* 6/1927 Klein ..... D26/82  
D240,071 S \* 5/1976 Lindquist ..... 52/DIG. 9  
D620,178 S \* 7/2010 Sabernig ..... D26/84  
D620,180 S \* 7/2010 Sabernig ..... D26/84  
D620,630 S \* 7/2010 Sabernig ..... D26/86  
D621,087 S \* 8/2010 Nagane ..... D26/86  
D635,711 S \* 4/2011 Scutella' ..... D26/88  
D666,760 S \* 9/2012 Arola Ferrer ..... D26/84  
D683,885 S \* 6/2013 Kim ..... D26/84  
D700,988 S \* 3/2014 Koho ..... D26/118  
D700,989 S \* 3/2014 Rampolla ..... D26/88  
2015/0277030 A1 \* 10/2015 Huang ..... F21V 3/04  
362/611

\* cited by examiner

*Primary Examiner* — Clare E Hefflin

(74) *Attorney, Agent, or Firm* — Porzio, Bromberg & Newman, P.C

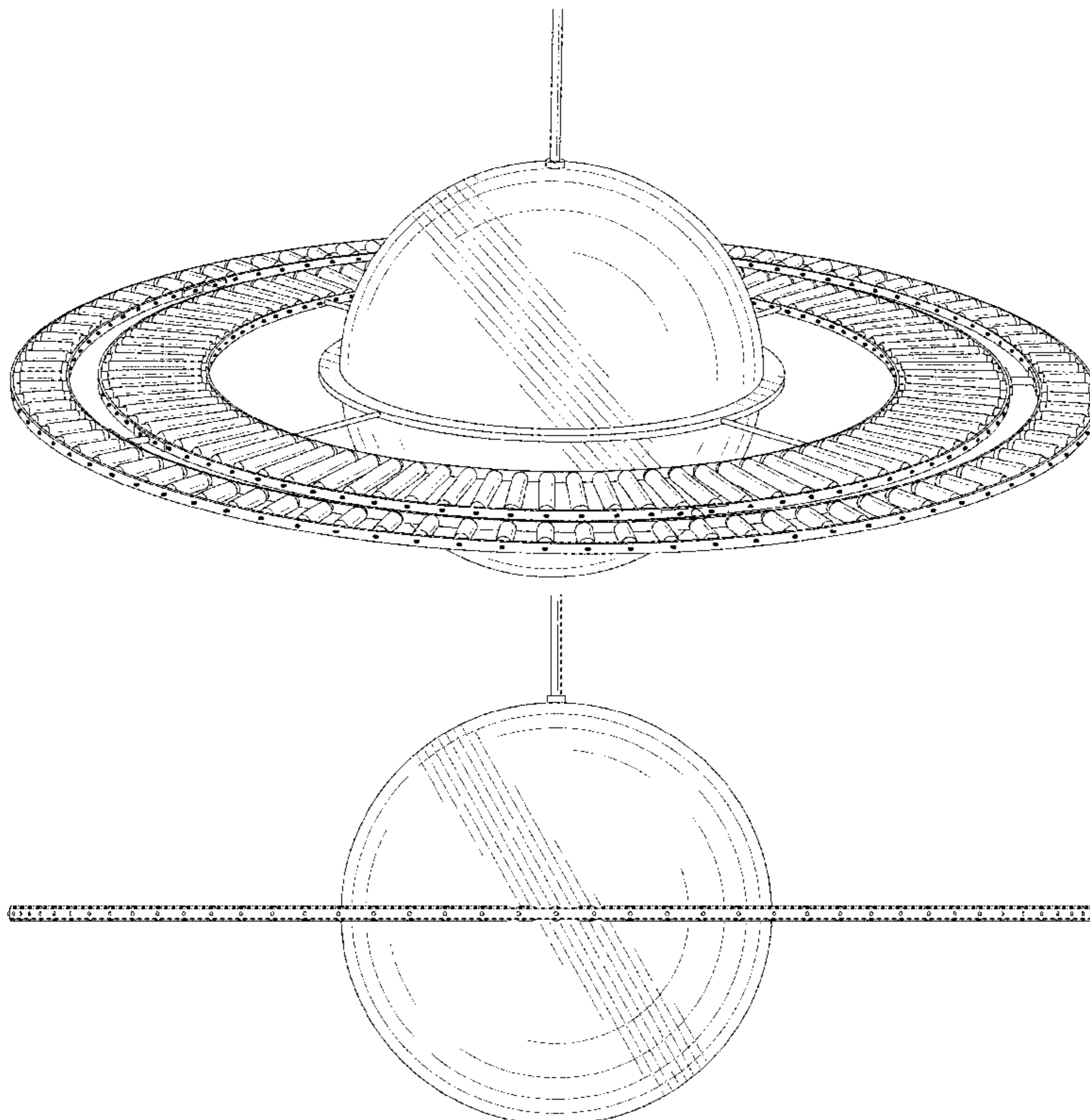
(57) **CLAIM**

The ornamental design for a hanging lamp, as shown and described.

**DESCRIPTION**

FIG. 1 is a bottom, front perspective view of the hanging lamp showing my new design;  
FIG. 2 is a top, front perspective view thereof;  
FIG. 3 is a top plan view thereof;  
FIG. 4 is a side view thereof; and,  
FIG. 5 is a bottom plan view thereof.

**1 Claim, 5 Drawing Sheets**



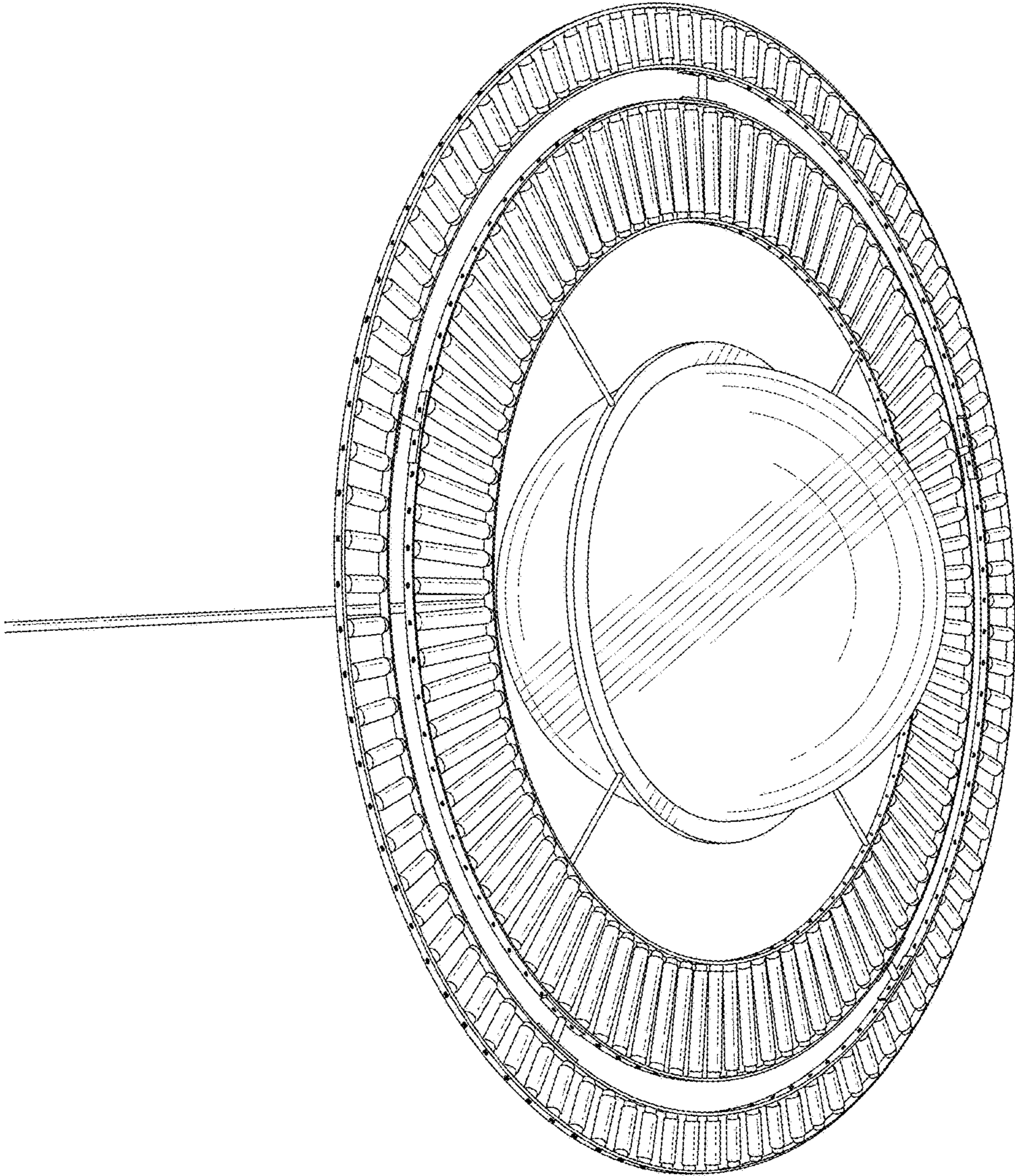


FIG. 1

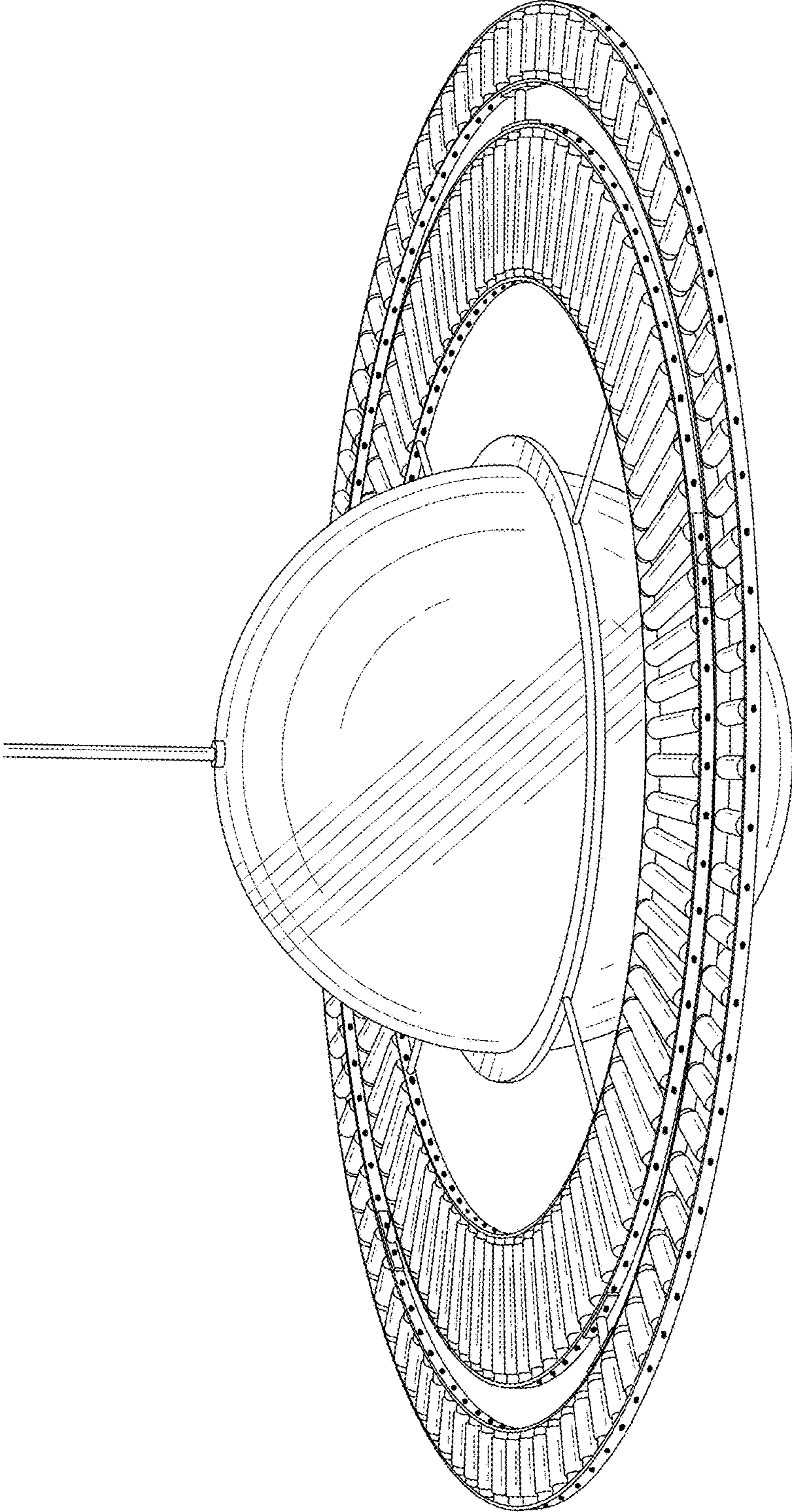


FIG. 2

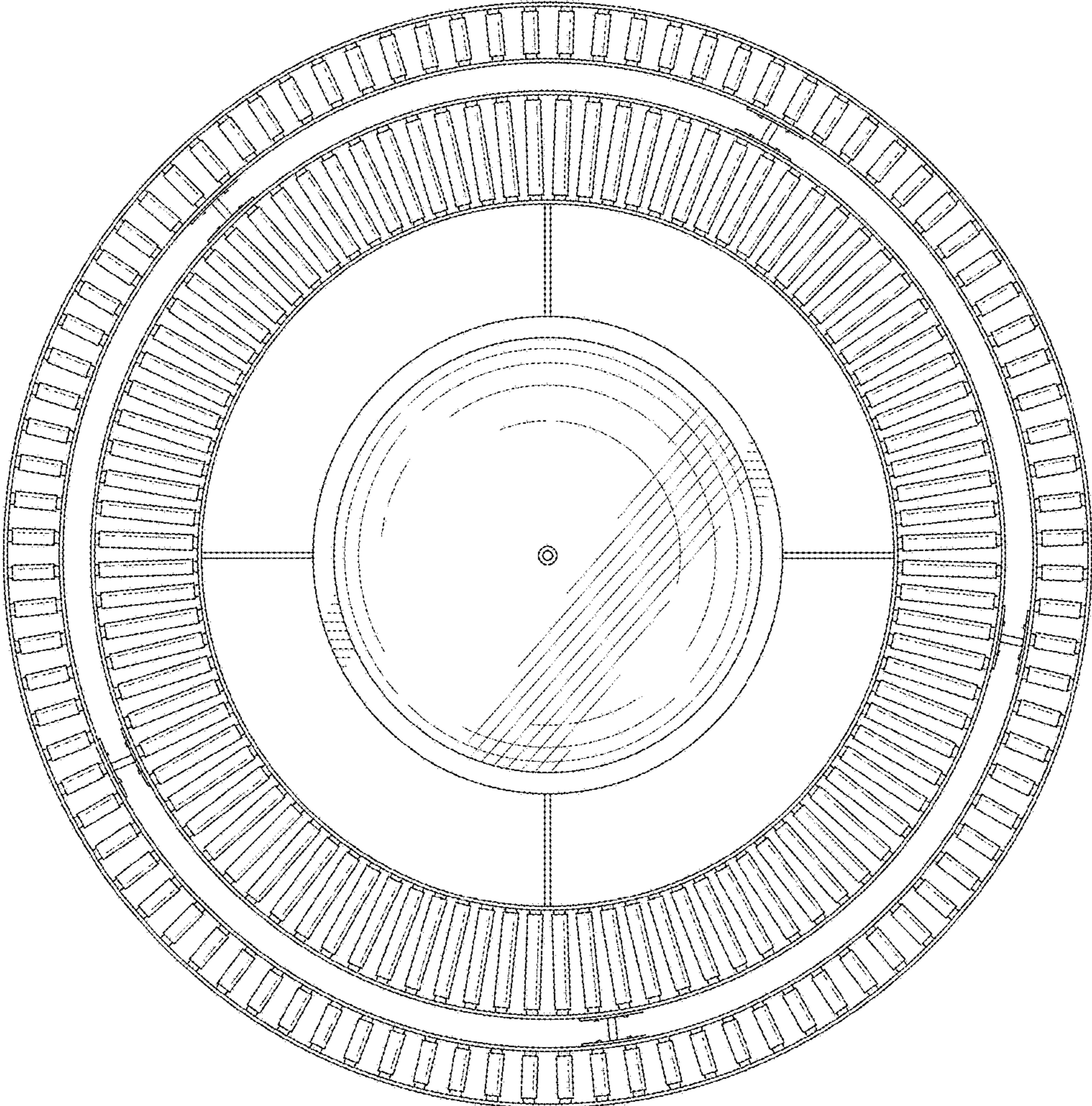


FIG. 3

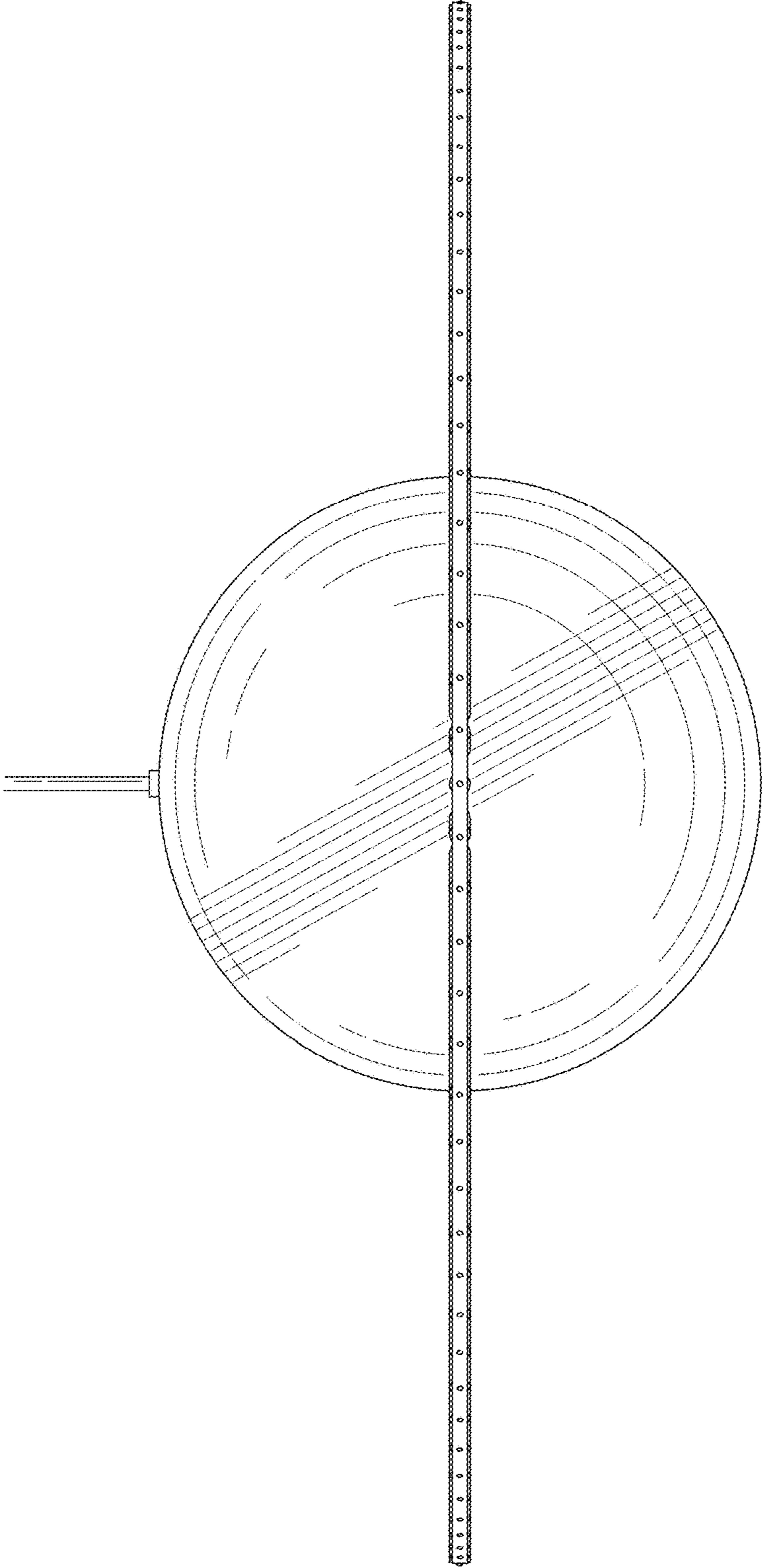


FIG. 4

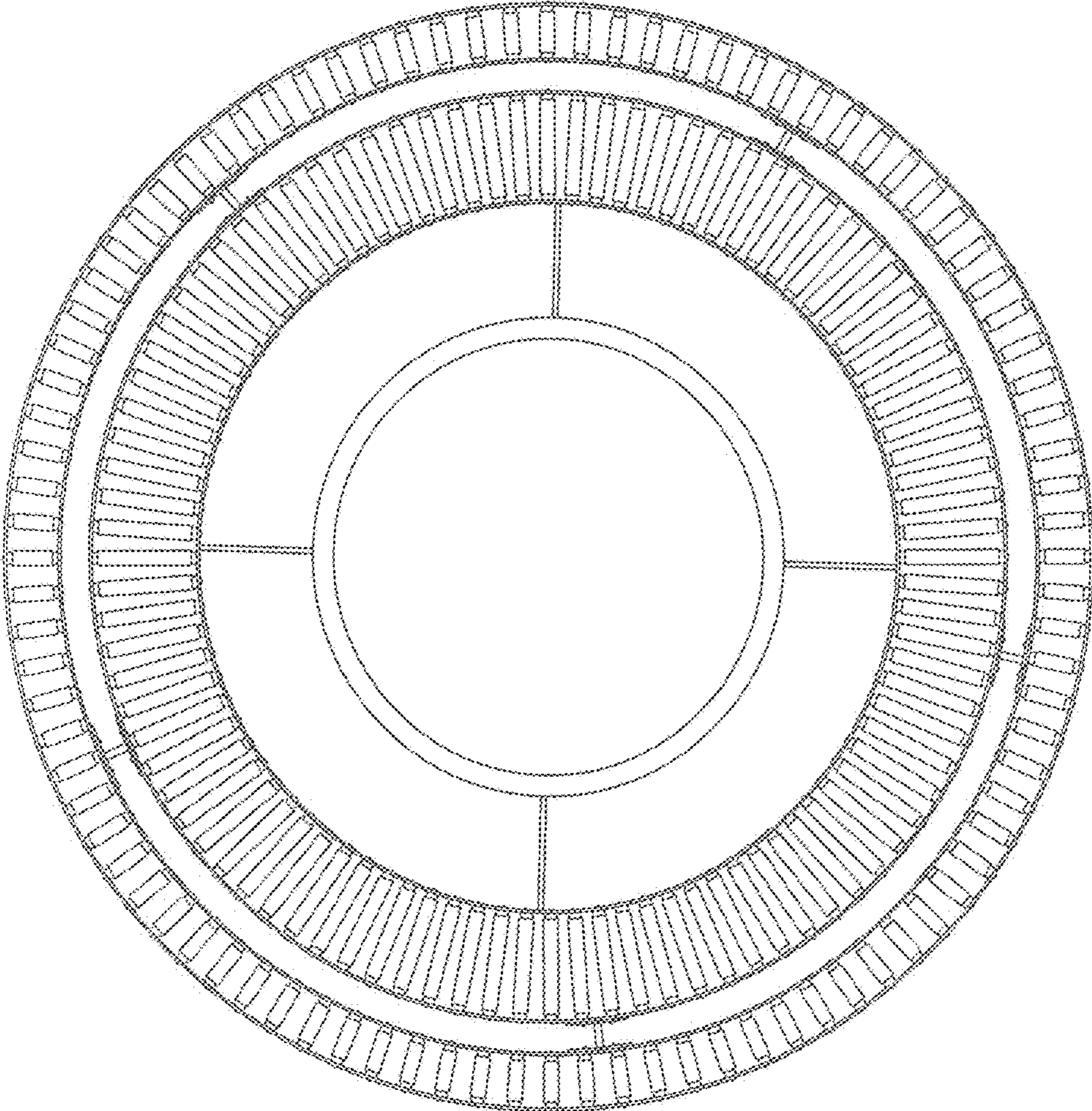


FIG. 5