



US00D793609S

(12) **United States Design Patent**
Sonneman

(10) **Patent No.:** **US D793,609 S**

(45) **Date of Patent:** **** Aug. 1, 2017**

(54) **LIGHT FIXTURE**

(71) Applicant: **Robert A. Sonneman**, Mamaroneck,
NY (US)

(72) Inventor: **Robert A. Sonneman**, Mamaroneck,
NY (US)

(**) Term: **15 Years**

(21) Appl. No.: **29/593,939**

(22) Filed: **Feb. 14, 2017**

(51) **LOC (10) Cl.** **26-03**

(52) **U.S. Cl.**
USPC **D26/85**

(58) **Field of Classification Search**
USPC D26/68, 72, 76, 85, 87, 118
CPC F21S 8/03; F21S 8/033; F21S 8/036; F21S
8/037; F21S 8/04; F21V 21/02
See application file for complete search history.

(56) **References Cited**

U.S. PATENT DOCUMENTS

D236,151 S *	7/1975	Friedberg	D26/68
4,438,484 A *	3/1984	Winden	F21S 8/083 362/145
D307,328 S *	4/1990	Roulstone	D26/85
D397,484 S *	8/1998	Ballard	D26/85
D571,495 S *	6/2008	Berns	D26/68
D626,680 S *	11/2010	Verelst	D26/85
D679,436 S *	4/2013	Gismondi	D26/68
D688,406 S *	8/2013	Goldy	D26/85
D696,805 S *	12/2013	Duquette	D26/68
D719,287 S *	12/2014	Sorensen	D26/68

D719,288 S *	12/2014	Sorensen	D26/68
D719,289 S *	12/2014	Sorensen	D26/68
D721,197 S *	1/2015	Sorensen	D26/68
D760,939 S *	7/2016	Hoang	D26/85
D764,697 S *	8/2016	Compton	D26/85
D765,300 S *	8/2016	Couture	D26/85
D773,710 S *	12/2016	Ahrari	D26/68
2002/0118542 A1 *	8/2002	LeVasseur	F21V 3/00 362/351

* cited by examiner

Primary Examiner — Clare E Heflin

(74) *Attorney, Agent, or Firm* — Gottlieb, Rackman &
Reisman, P.C.

(57) **CLAIM**

The ornamental design for a light fixture, as shown and described.

DESCRIPTION

FIG. 1 is a perspective view of the light fixture showing my new design;

FIG. 2 is a left side elevational view thereof;

FIG. 3 is a right side elevational view thereof;

FIG. 4 is a front elevational view thereof;

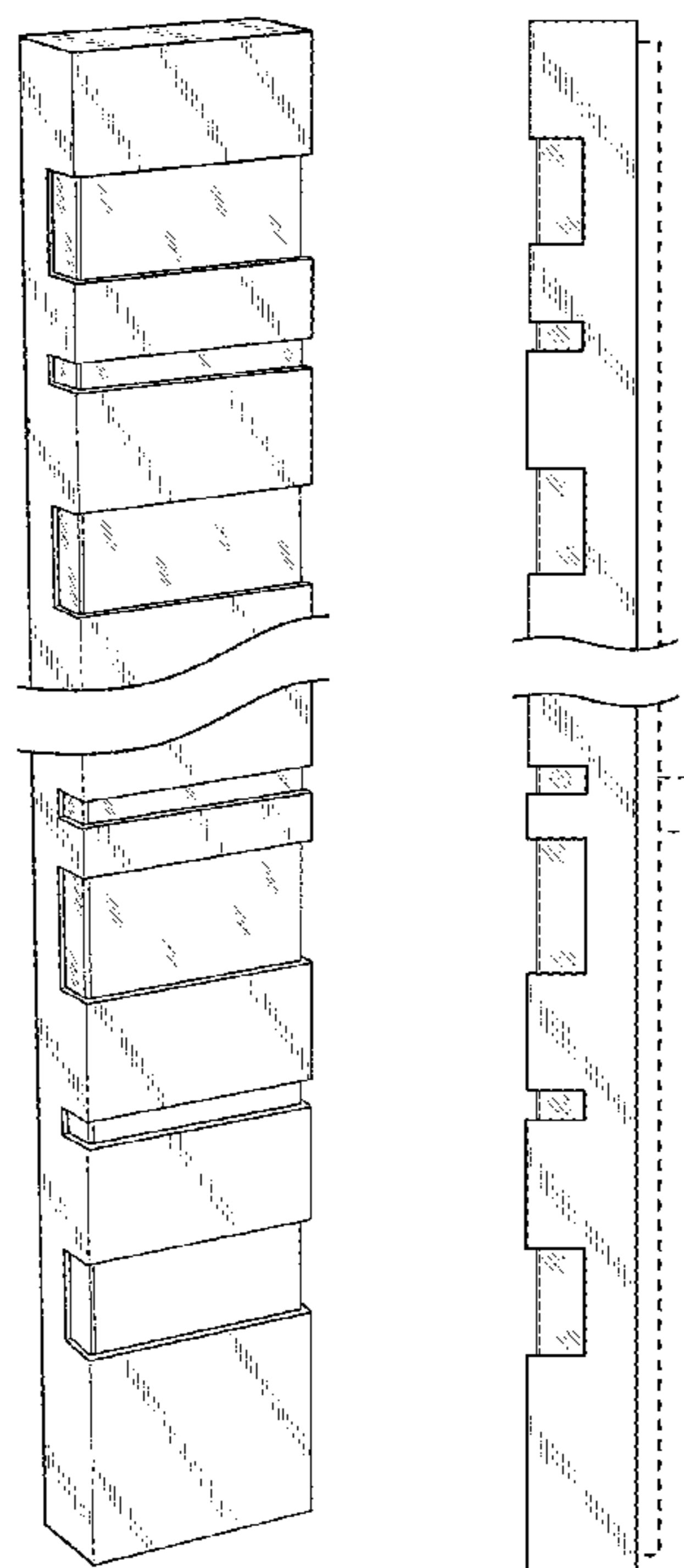
FIG. 5 is a rear elevational view thereof;

FIG. 6 is a top plan view thereof; and,

FIG. 7 is a bottom plan view thereof.

The break lines in FIGS. 1-5 are to indicate that the appearance of any portion of the light fixture between the break lines form no part of the claimed design, and the remaining broken lines shown in the drawings are included for the purpose of illustrating portions of the article that form no part of the claimed design as well.

1 Claim, 3 Drawing Sheets



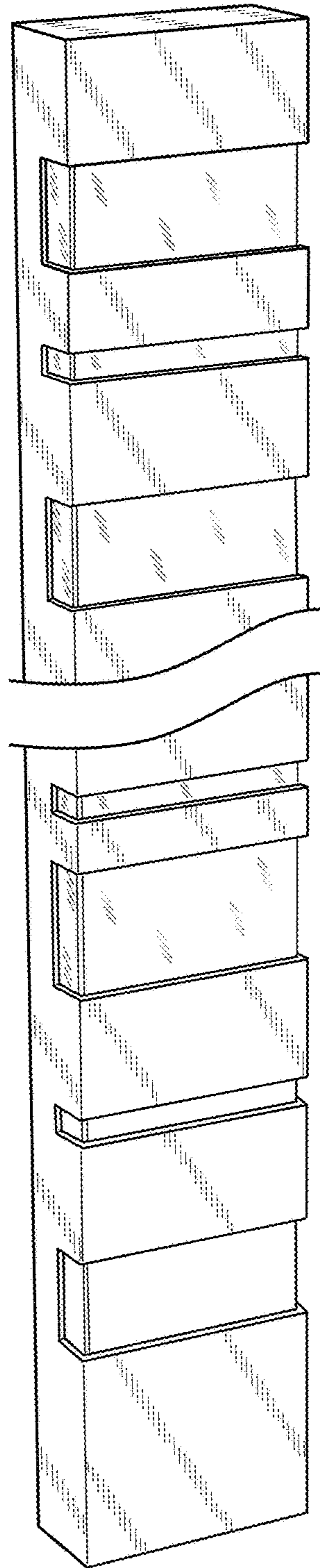


FIG. 1

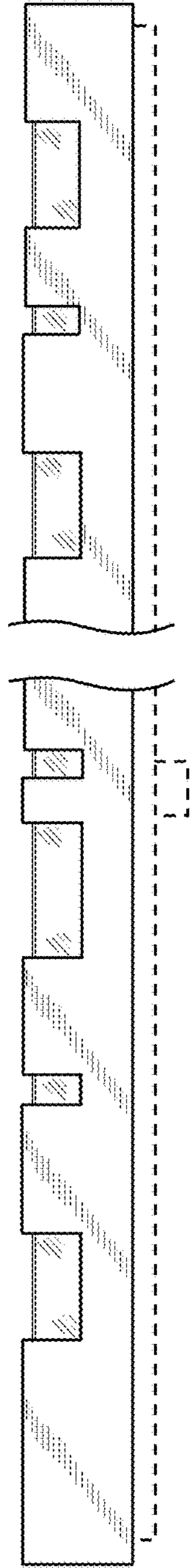


FIG. 2

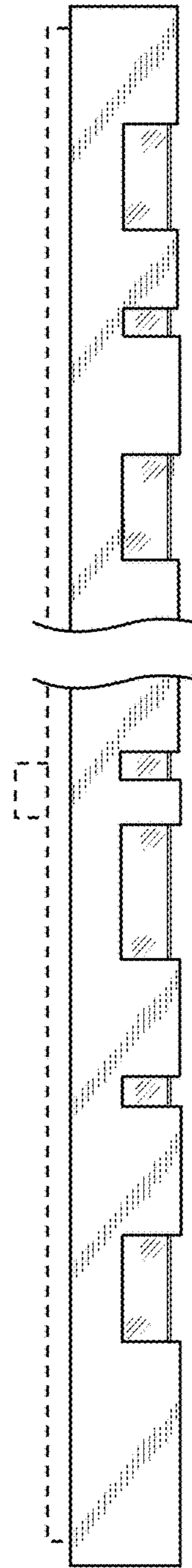


FIG. 3

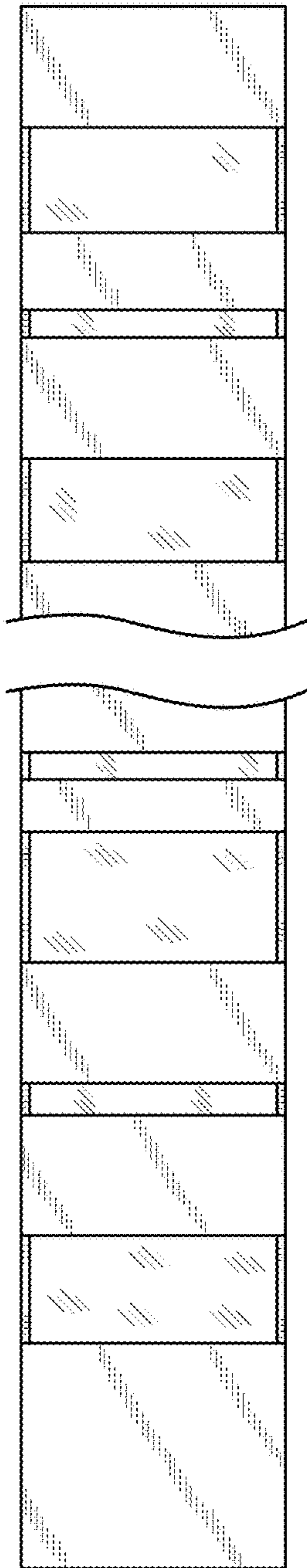


FIG. 4

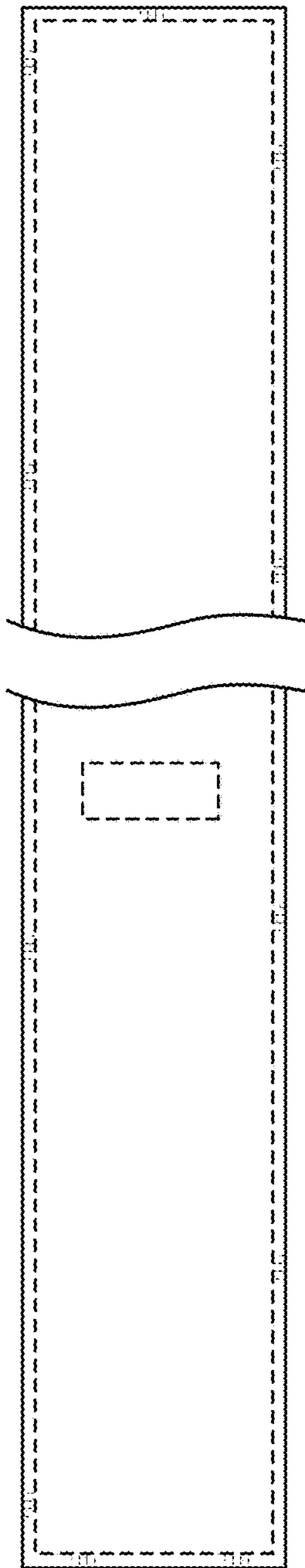


FIG. 5

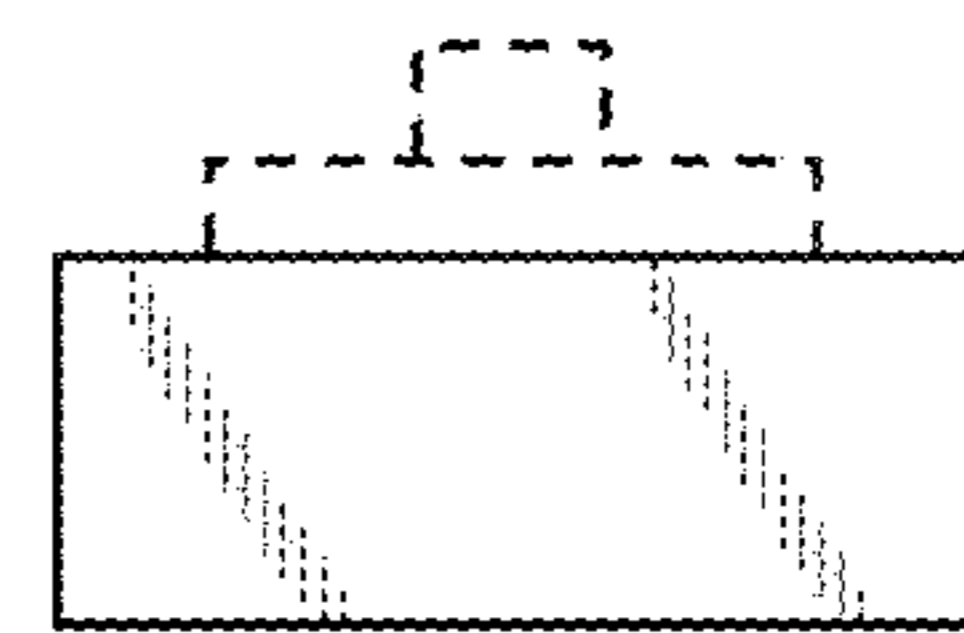


FIG. 6

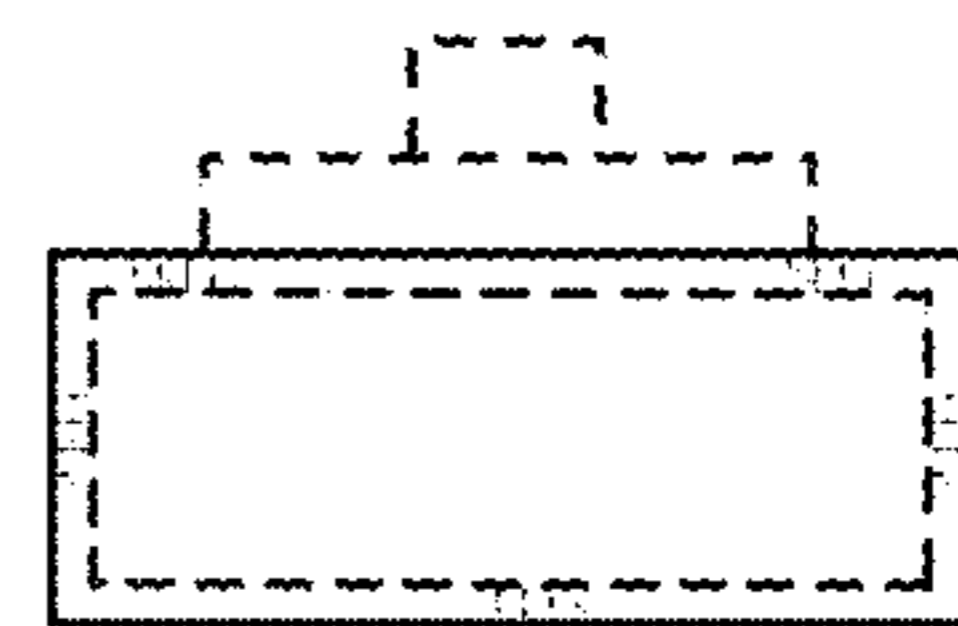


FIG. 7