



US00D793606S

(12) **United States Design Patent** (10) **Patent No.:** **US D793,606 S**
Bryant (45) **Date of Patent:** **** *Aug. 1, 2017**

(54) **WALL PACK LIGHT FIXTURE WITH LENS**

21/02; F21V 33/006; F21W 2131/10;
F21W 2131/107; F21W 2131/1005

See application file for complete search history.

(71) Applicant: **COOPER TECHNOLOGIES COMPANY**, Houston, TX (US)

(56) **References Cited**

(72) Inventor: **Christopher Michael Bryant**, Social Circle, GA (US)

U.S. PATENT DOCUMENTS

(73) Assignee: **Cooper Technologies Company**, Houston, TX (US)

D135,107 S *	2/1943	Szalla	D26/85
2,732,484 A	1/1956	Lipscomb	
3,047,716 A	7/1962	Hoxie et al.	
D203,060 S	11/1965	Schaefer	
3,263,071 A	7/1966	Fabbri	
D228,667 S	10/1973	Anderson, Jr.	
D248,184 S	6/1978	Roberts	
D285,258 S	8/1986	Hamasaki	
D287,646 S	1/1987	Ayukawa	
D289,087 S	3/1987	Kobata	
D380,853 S	7/1997	Johnson	
5,957,573 A	9/1999	Wedekind et al.	
D415,305 S	10/1999	Putman	
D421,816 S	3/2000	Gongora et al.	

(*) Notice: This patent is subject to a terminal disclaimer.

(**) Term: **15 Years**

(21) Appl. No.: **29/548,330**

(Continued)

(22) Filed: **Dec. 11, 2015**

OTHER PUBLICATIONS

Related U.S. Application Data

Lighting Science; Wallpak ; product specification sheet; Nov. 2010.

(63) Continuation of application No. 29/527,903, filed on May 22, 2015, now Pat. No. Des. 747,533, which is a continuation of application No. 29/501,819, filed on Sep. 9, 2014, now Pat. No. Des. 730,569, which is a continuation of application No. 29/481,305, filed on Feb. 4, 2014, now Pat. No. Des. 714,992, which is a continuation of application No. 29/436,981, filed on Nov. 12, 2012, now Pat. No. Des. 698,978.

(Continued)

Primary Examiner — Clare E Heflin

(74) *Attorney, Agent, or Firm* — King & Spalding LLP

(51) **LOC (10) Cl.** **26-03**

(52) **U.S. Cl.**

USPC **D26/85; D26/118**

(57) **CLAIM**

The ornamental design for a wall pack light fixture with lens, as shown and described.

(58) **Field of Classification Search**

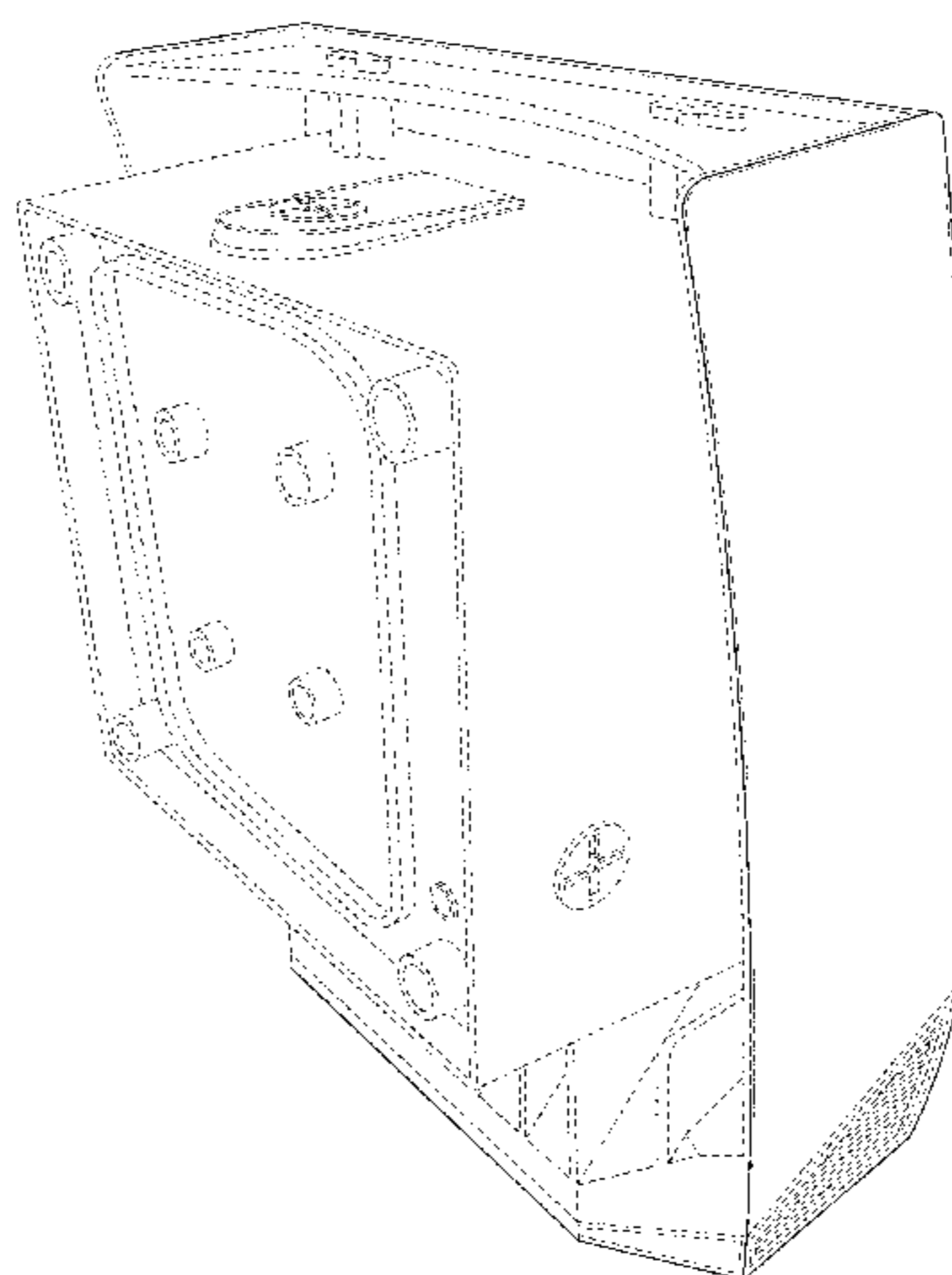
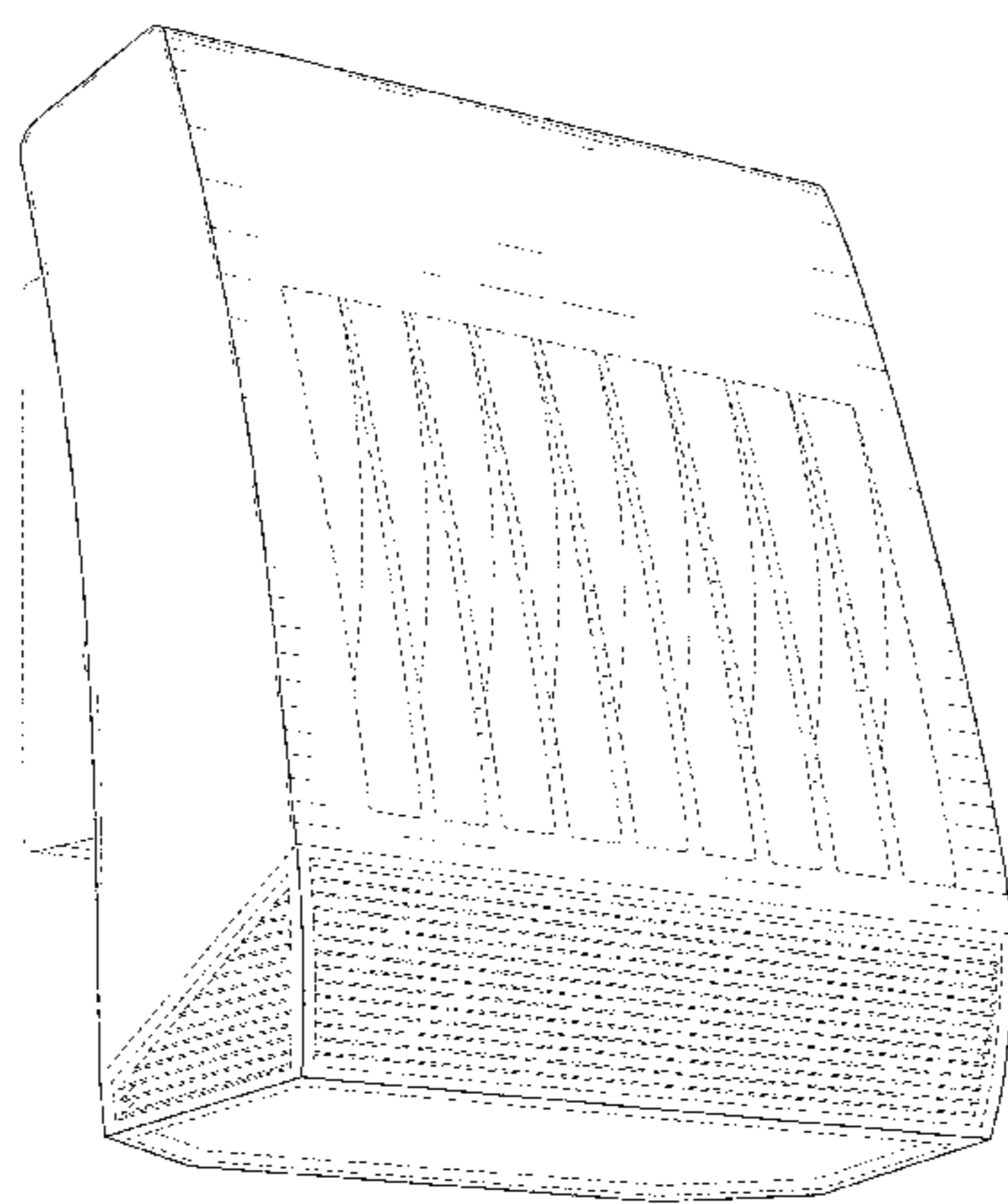
USPC D26/72, 85, 87, 89, 92, 118, 120

CPC F21S 8/03; F21S 8/033; F21S 8/036; F21S 8/037; F21S 8/043; F21S 8/06; F21V

DESCRIPTION

FIG. 1 is a perspective view of a wall pack light fixture with lens, showing my new design;
FIG. 2 is a front view thereof;
FIG. 3 is a left side view thereof;
FIG. 4 is a right side view thereof;
FIG. 5 is a top plan view thereof;
FIG. 6 is a bottom plan view thereof; and,
FIG. 7 is a rear perspective view thereof.

(Continued)



The broken lines shown represent unclaimed subject matter and form no part of the claimed design.

1 Claim, 6 Drawing Sheets

(56)

References Cited

U.S. PATENT DOCUMENTS

D456,932 S	5/2002	Crosby	
D465,050 S	10/2002	Crelin	
D499,834 S	12/2004	Yu et al.	
6,905,222 B1	6/2005	Russello et al.	
D527,134 S	8/2006	Bagen	
D544,991 S	6/2007	Guercio	
D552,292 S *	10/2007	Martineau	D10/111
D553,789 S	10/2007	Akinrele et al.	
D562,491 S	2/2008	Dicola	
D574,995 S	8/2008	Boyer	
D577,146 S	9/2008	Haugaard et al.	
D579,141 S	10/2008	Guercio	
D579,144 S	10/2008	Wnek et al.	
D590,088 S	4/2009	Dworschak	
D590,983 S	4/2009	Sabernig	
D595,447 S	6/2009	Purcell	
D608,040 S	1/2010	Guercio	
D609,387 S	2/2010	Compton	
D610,296 S	2/2010	Boissevain	
D612,975 S	3/2010	Guercio et al.	
D617,491 S	6/2010	Dordoni	
D626,271 S	10/2010	Verelst	
D634,873 S	3/2011	Guercio	
D634,878 S	3/2011	Guercio et al.	
D643,147 S	8/2011	Guercio et al.	
D643,571 S	8/2011	Chen	
D644,370 S	8/2011	Lickiss	
D647,662 S	10/2011	Vereist et al.	
D650,112 S	12/2011	Bryant	

D653,377 S	1/2012	Guercio	
D658,803 S	5/2012	Maxik et al.	
D659,895 S	5/2012	Maxik et al.	
D668,810 S *	10/2012	Bryant	D26/85
D678,596 S	3/2013	Bryant	
D688,406 S *	8/2013	Goldy	D26/85
D691,320 S	10/2013	Guercio et al.	
D695,445 S	12/2013	Panchisin et al.	
D698,978 S *	2/2014	Bryant	D26/85
D698,986 S	2/2014	Reynolds	
D699,386 S	2/2014	Park et al.	
D699,887 S	2/2014	Chen	
D707,385 S	6/2014	Wardenburg et al.	
D714,992 S *	10/2014	Bryant	D26/118
D716,990 S *	11/2014	Yu	D26/72
D719,699 S *	12/2014	Bryant	D26/82
D728,142 S *	4/2015	Dungan	D26/85
D730,569 S *	5/2015	Bryant	D26/118
D747,533 S *	1/2016	Bryant	D26/118
2007/0029456 A1	2/2007	Mier-Langner et al.	
2008/0232081 A1	9/2008	Martinez	
2012/0268952 A1 *	10/2012	Newton	B23P 11/00 362/368

OTHER PUBLICATIONS

Press Release, RAB Lighting, Oct. 12, 2010, RAB LPACK13 Makes the Switch to LED Even Easier.

Press Release, RAB Lighting, Feb. 9, 2010, RAB Lighting launches 20W LED Wallpack for out-door use.

Press Release, RAB Lighting, Dec. 23, 2009, RAB Lighting Introduces new LED Wallpack.

RAB Lighting, WPLED52 Series Installation Instructions. p. 1-2, www.rabweb.com; 2011; Sep. 11, 2015 Office Action for U.S. Appl. No. 14/749,263.

RAB Lighting, The New LPACK52, Specification Sheet, Sep. 11, 2015 Office Ac-tion for U.S. Appl. No. 14/749,263.

* cited by examiner

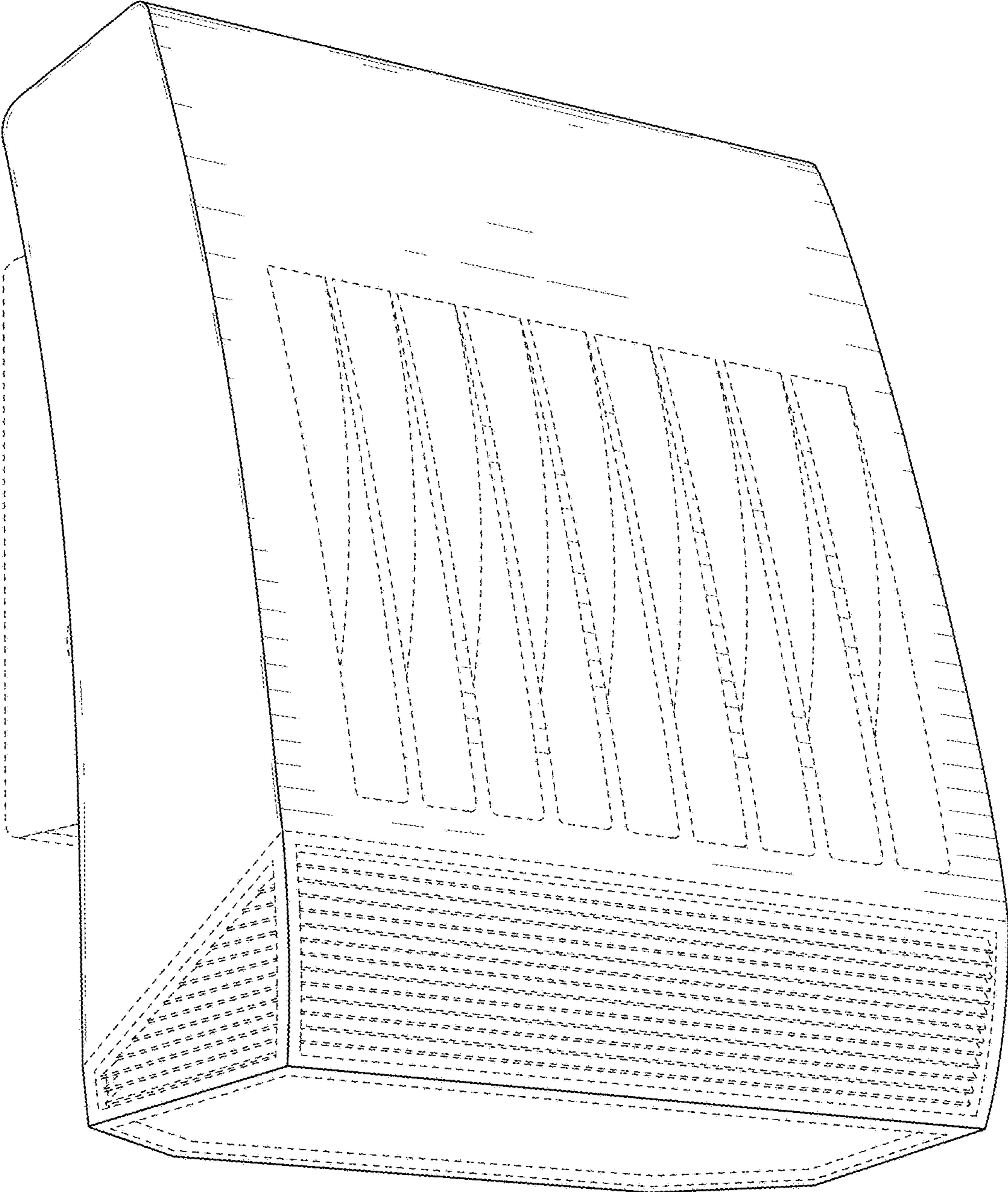


FIG. 1

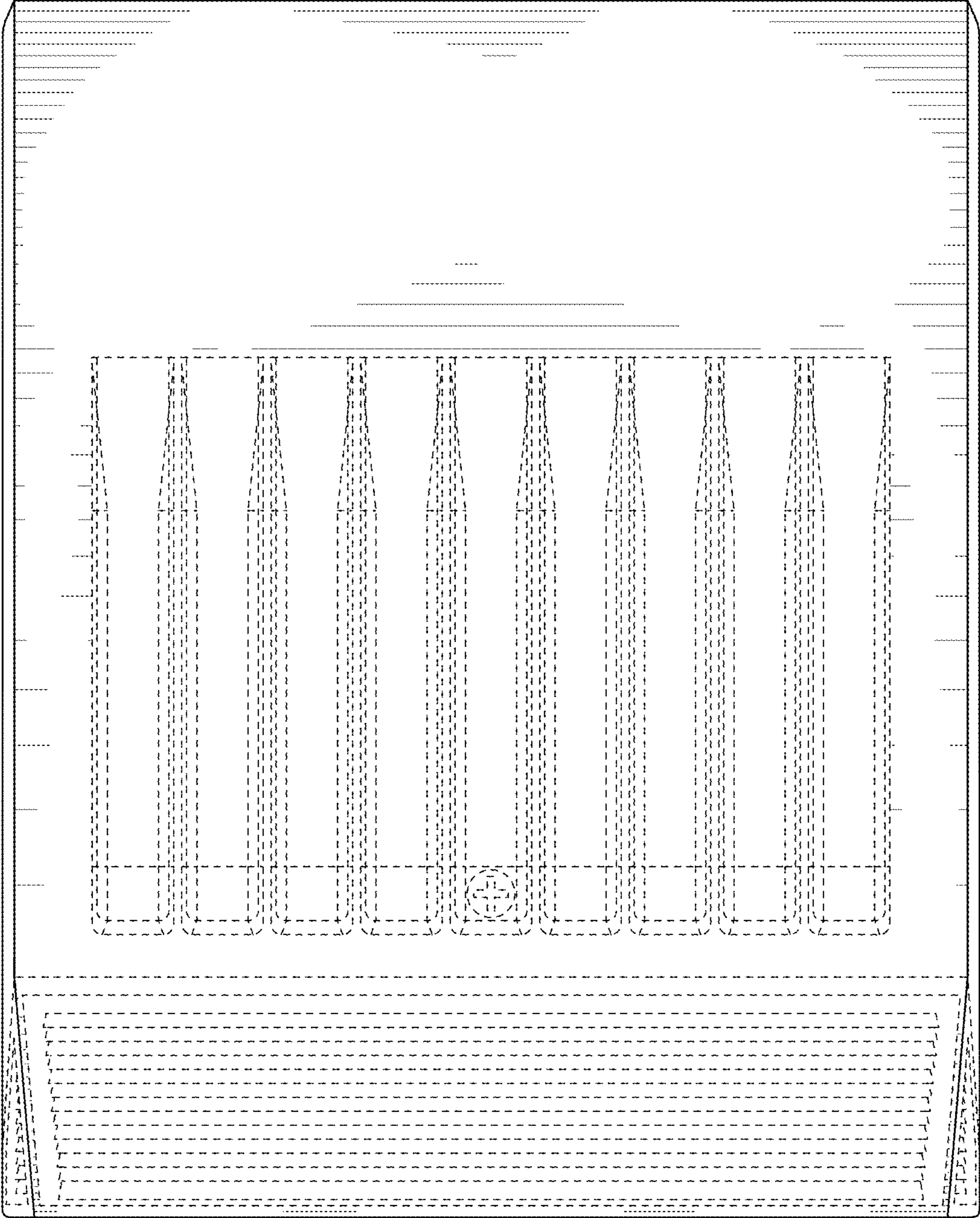


FIG. 2

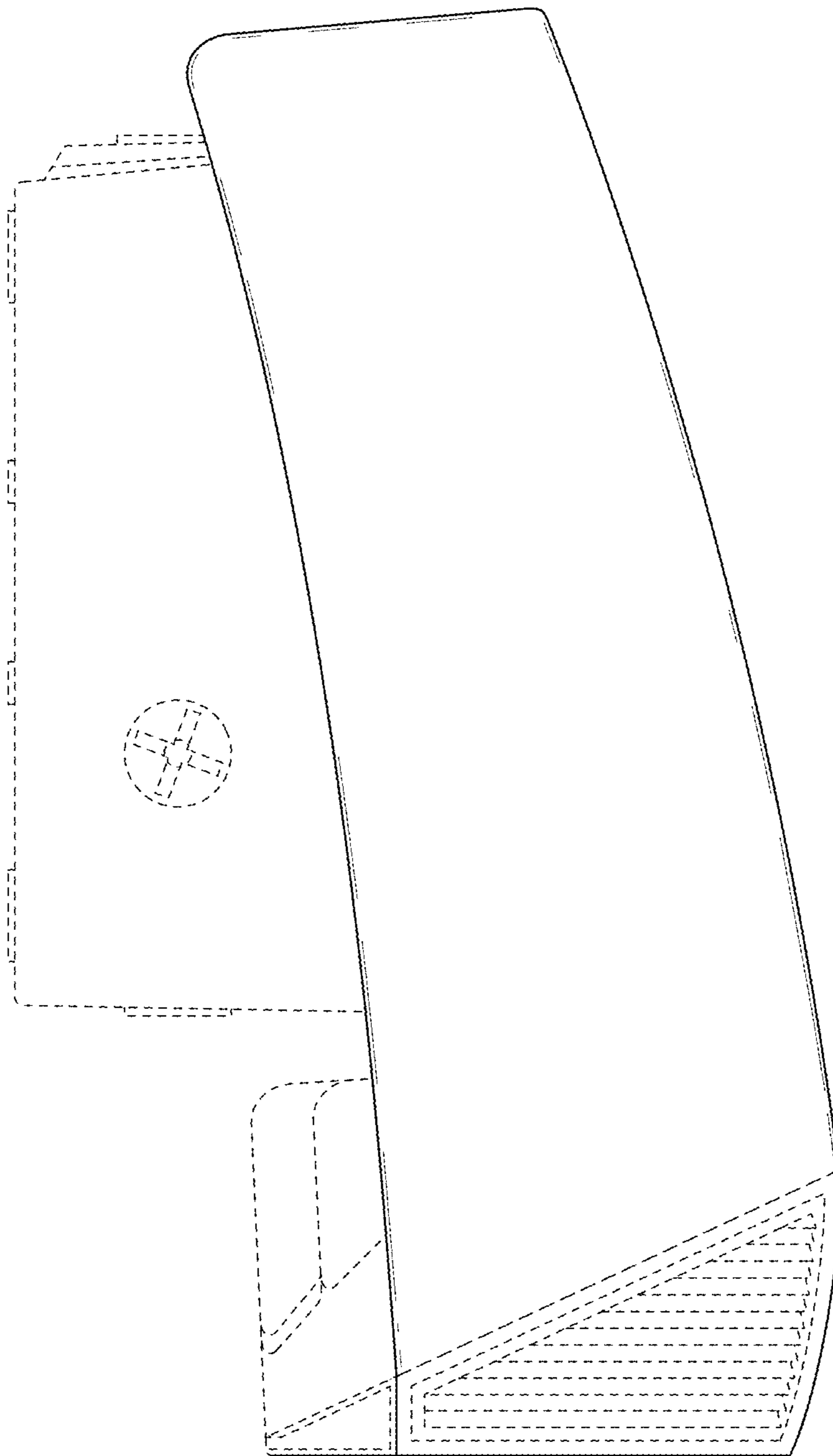


FIG. 3

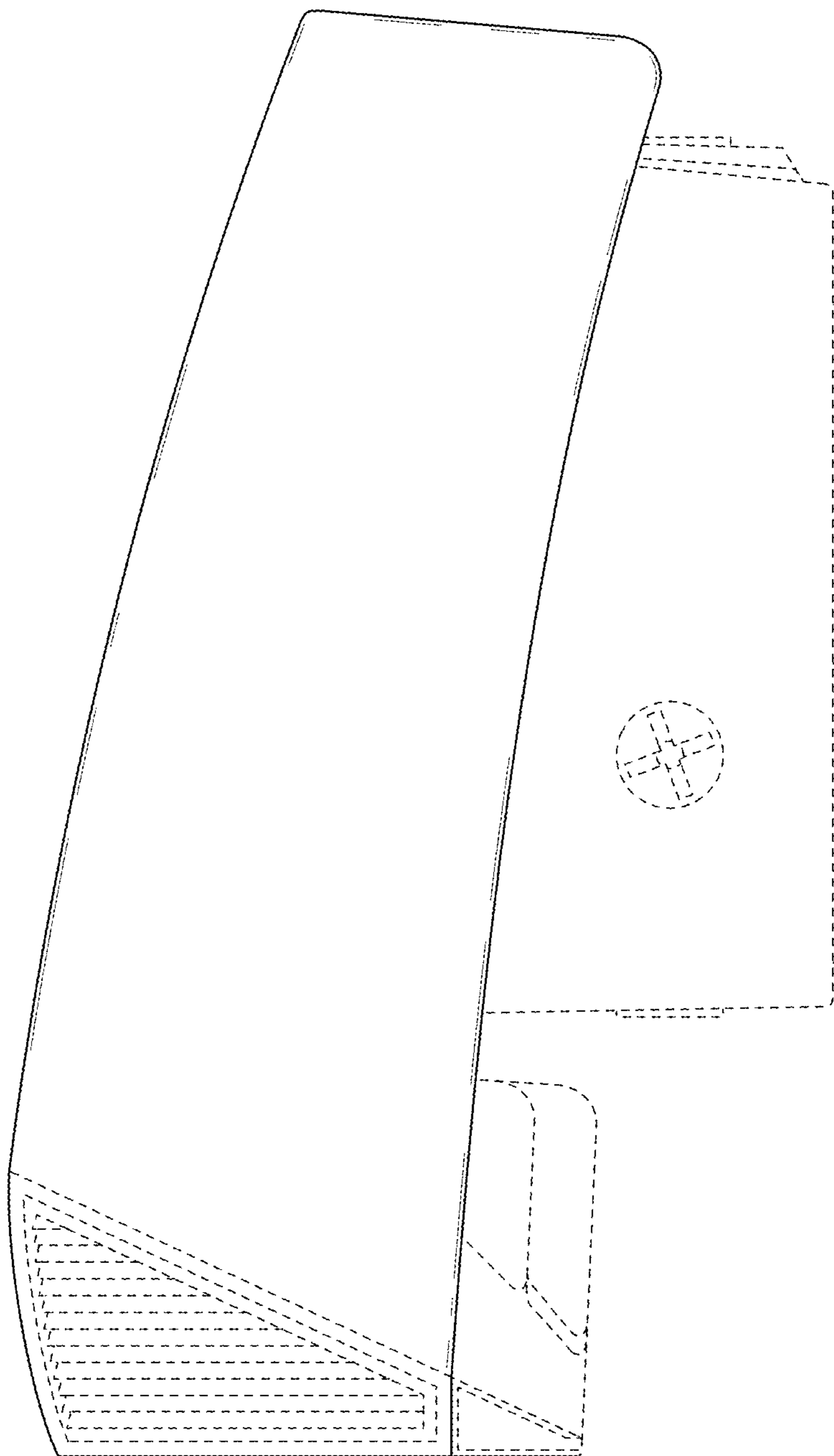


FIG. 4

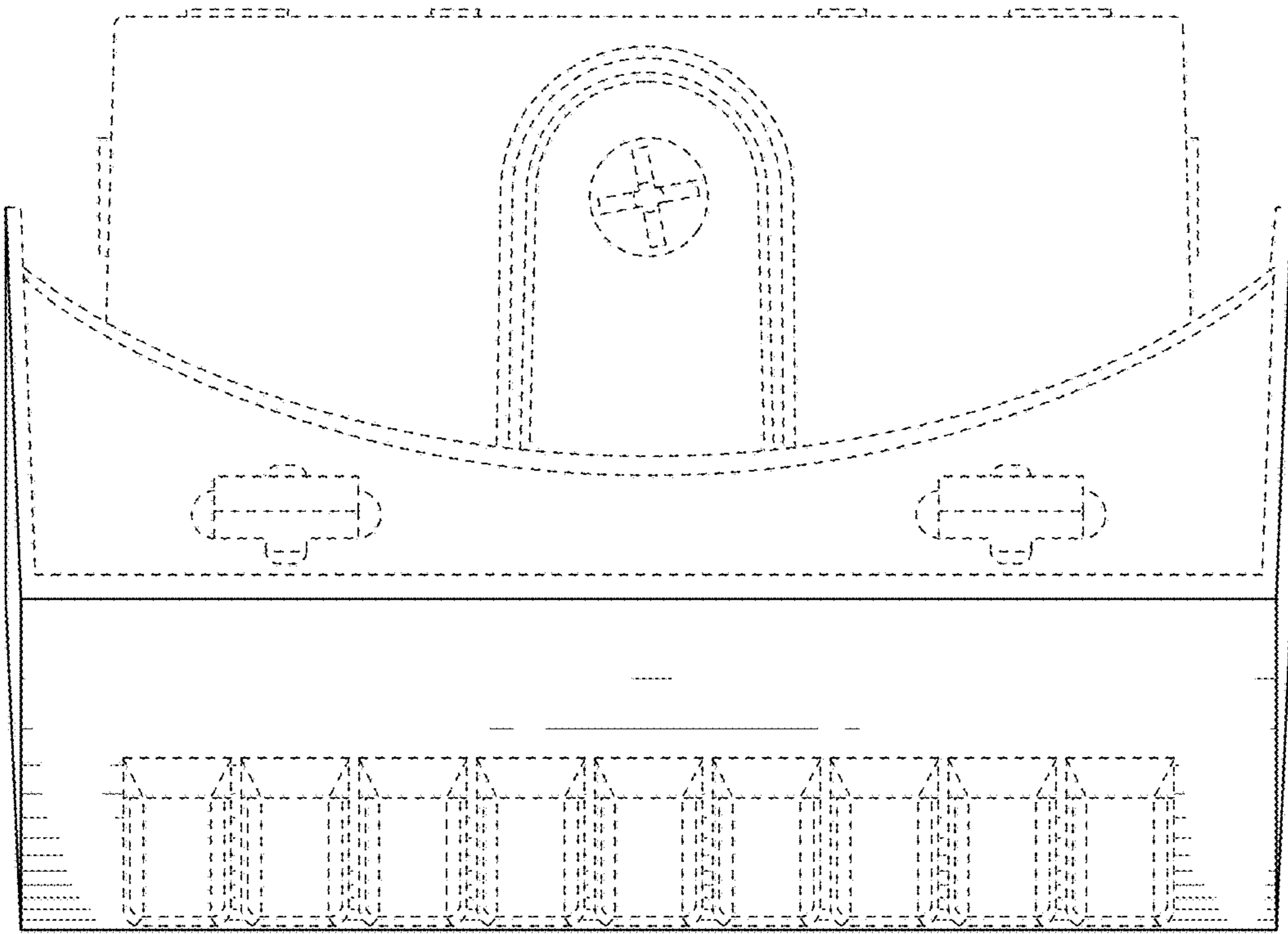


FIG. 5

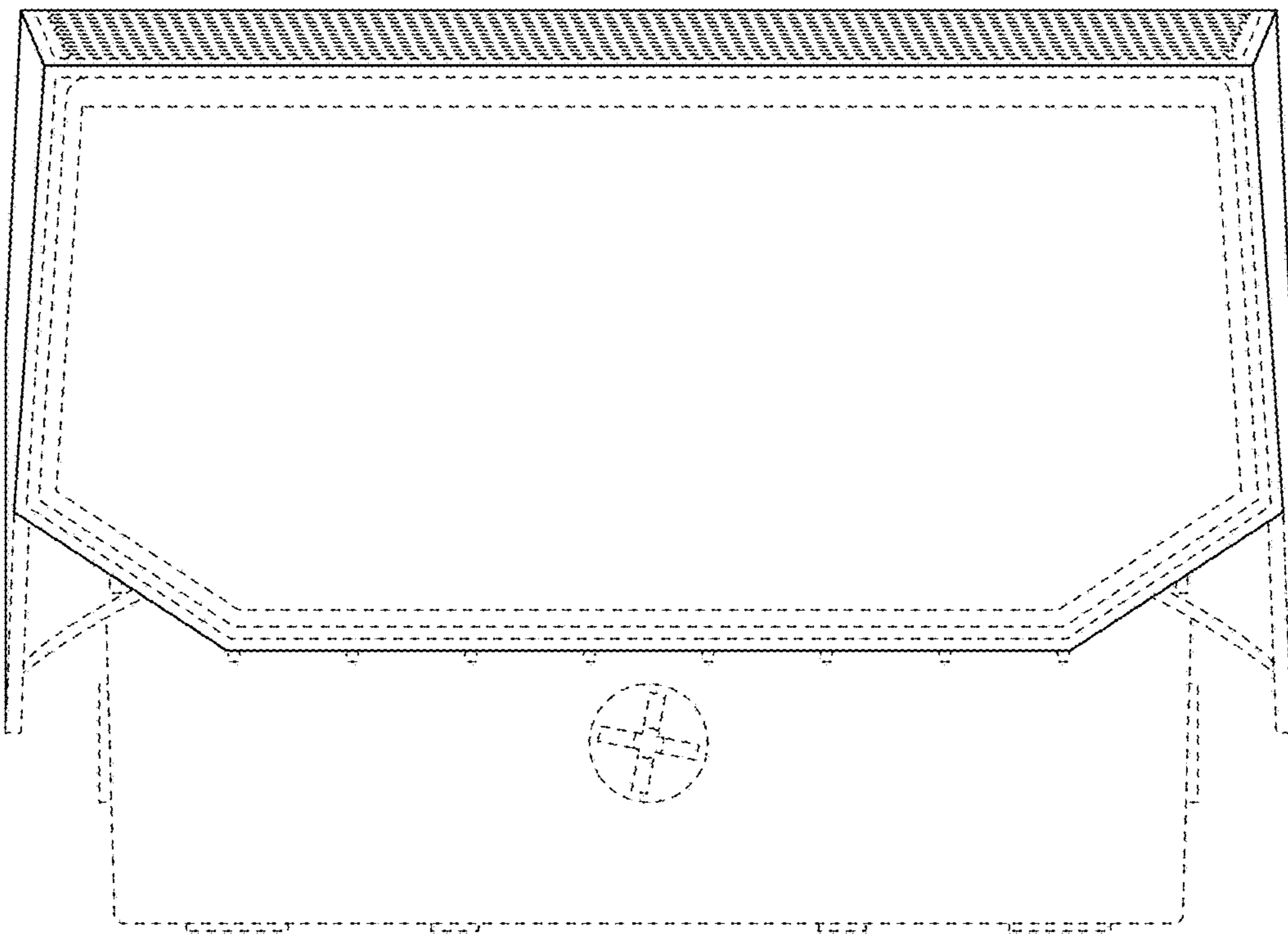


FIG. 6

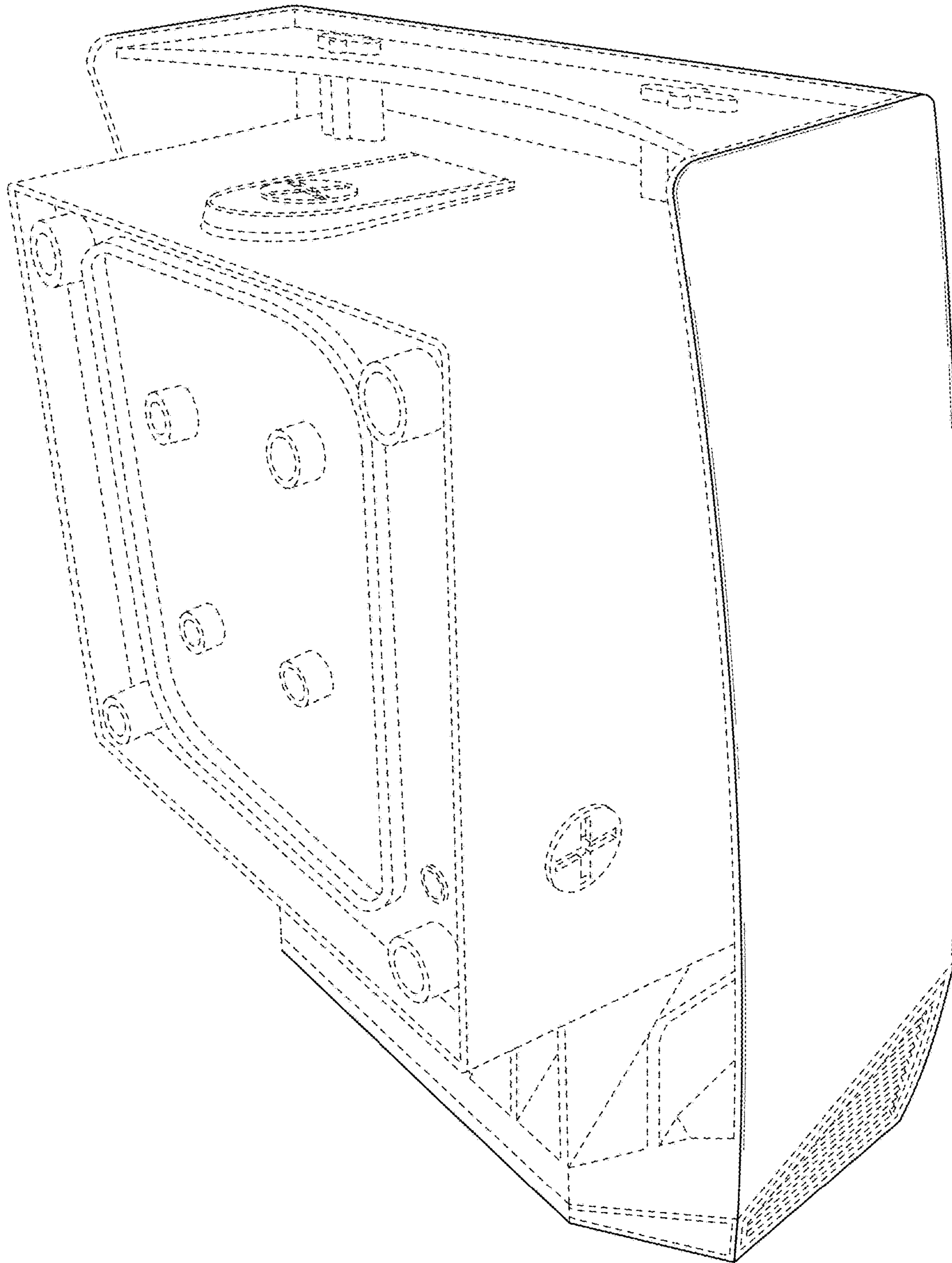


FIG. 7