



US00D793605S

(12) **United States Design Patent**
Cartwright

(10) **Patent No.:** **US D793,605 S**

(45) **Date of Patent:** **** Aug. 1, 2017**

(54) **CHANDELIER**

(71) Applicant: **Carolyn Lee Cartwright**, New York, NY (US)

(72) Inventor: **Carolyn Lee Cartwright**, New York, NY (US)

(**) Term: **15 Years**

(21) Appl. No.: **29/558,641**

(22) Filed: **Mar. 18, 2016**

(51) **LOC (10) Cl.** **26-03**

(52) **U.S. Cl.**
USPC **D26/81**

(58) **Field of Classification Search**
USPC D26/76, 81, 83, 84, 86, 87, 88, 90, 91, D26/118
CPC F21S 8/04; F21S 8/043; F21S 8/046; F21S 8/06; F21S 8/061; F21S 8/063; F21S 8/065

See application file for complete search history.

(56) **References Cited**

U.S. PATENT DOCUMENTS

2,804,542	A *	8/1957	Siegel	F21S 8/06 362/405
4,161,021	A *	7/1979	George, Jr.	H01K 7/06 362/235
D348,322	S *	6/1994	Segill	D26/81
D420,161	S *	2/2000	Zuege	D26/84
D438,664	S *	3/2001	Lewis	D26/86
D470,967	S *	2/2003	Rose	D26/81
D539,960	S *	4/2007	Hsu	D26/81

D607,136	S *	12/2009	Chen	D26/81
D619,750	S *	7/2010	Lewis	D26/86
D685,123	S *	6/2013	Dolan	D26/81
D711,578	S *	8/2014	Naddeo	D26/81
D719,698	S *	12/2014	Mollaghaffari	D26/81
D760,938	S *	7/2016	Dixon	D26/81

OTHER PUBLICATIONS

Mobile Chandelier from westelm.com, visited Apr. 3, 2017.*
Blown Glass Chandelier—Asymmetrical from westelm.com, visited Apr. 3, 2017.*
Large “Monolith” Italian Modern Brass Chandelier with Adjustable Sconces by REFINE Limited. Found at 1stdibs.com / visited Apr. 3, 2017. (2 pages).*

* cited by examiner

Primary Examiner — Clare E Hefflin

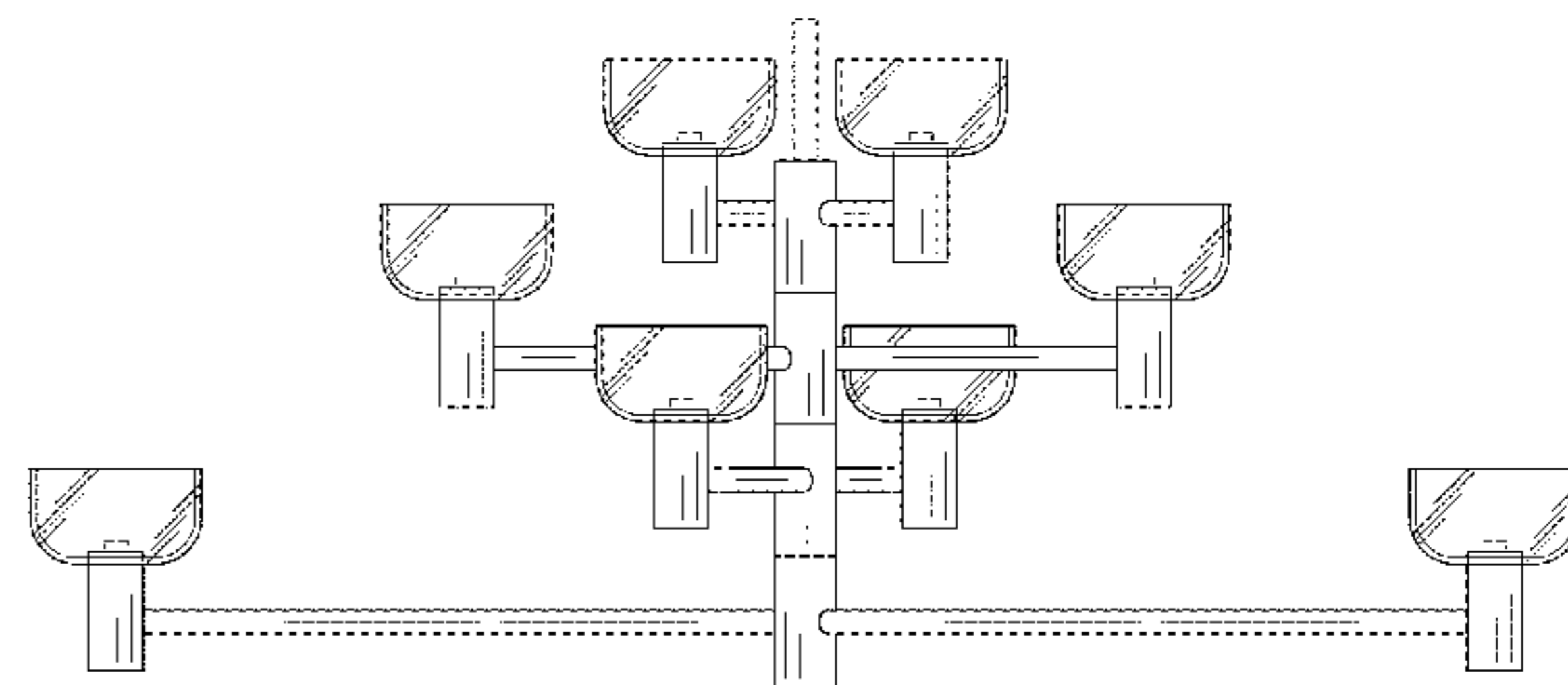
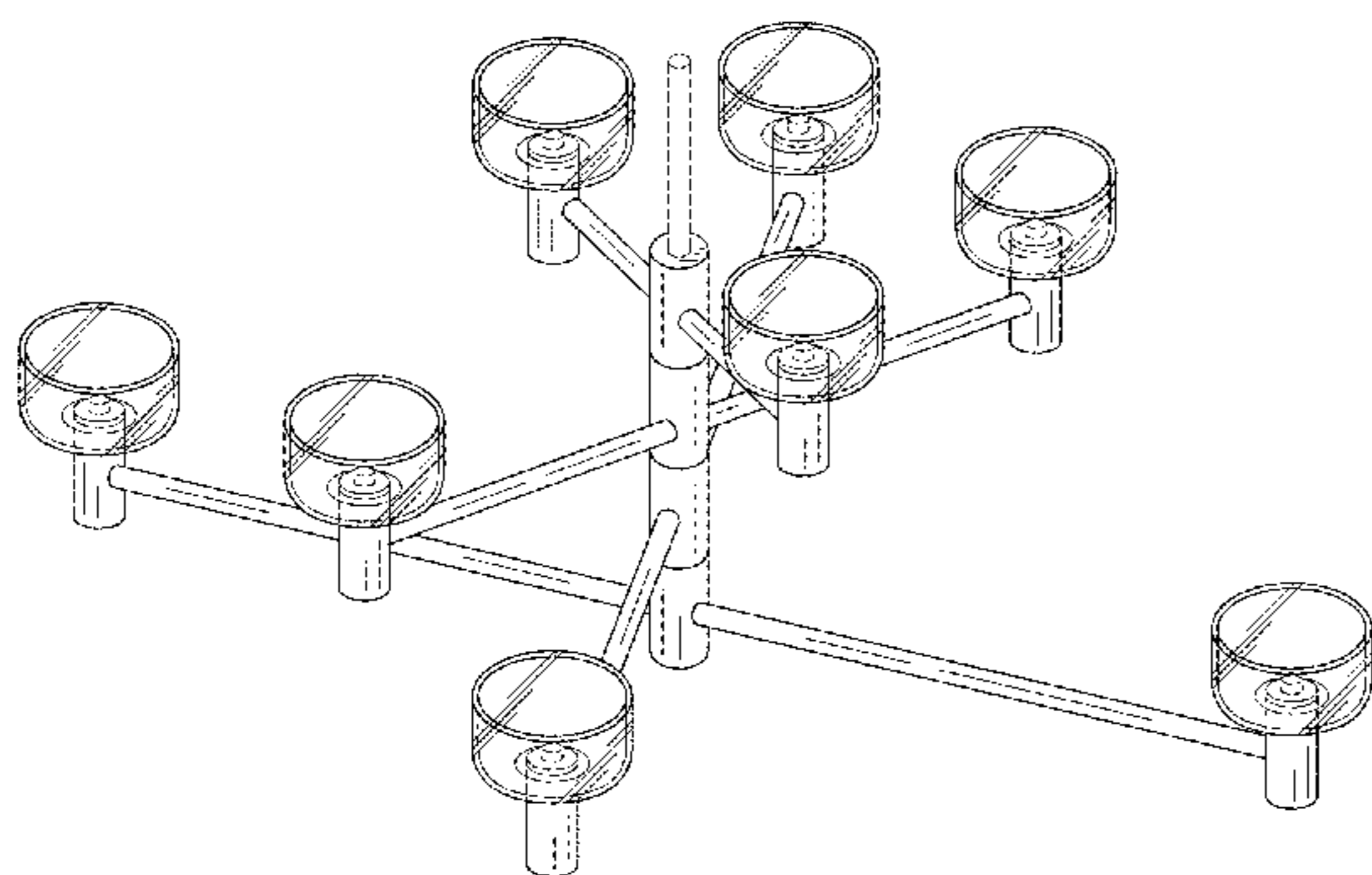
(57) **CLAIM**

The ornamental design for a chandelier, as shown and described.

DESCRIPTION

FIG. 1 is a top perspective view of the chandelier;
FIG. 2 is a top view thereof;
FIG. 3 is a bottom view thereof;
FIG. 4 is a first side view thereof;
FIG. 5 is a second side view thereof;
FIG. 6 is a third side view thereof; and,
FIG. 7 is a fourth side view thereof.
The broken lines represent environment and form no part of the claim.

1 Claim, 5 Drawing Sheets



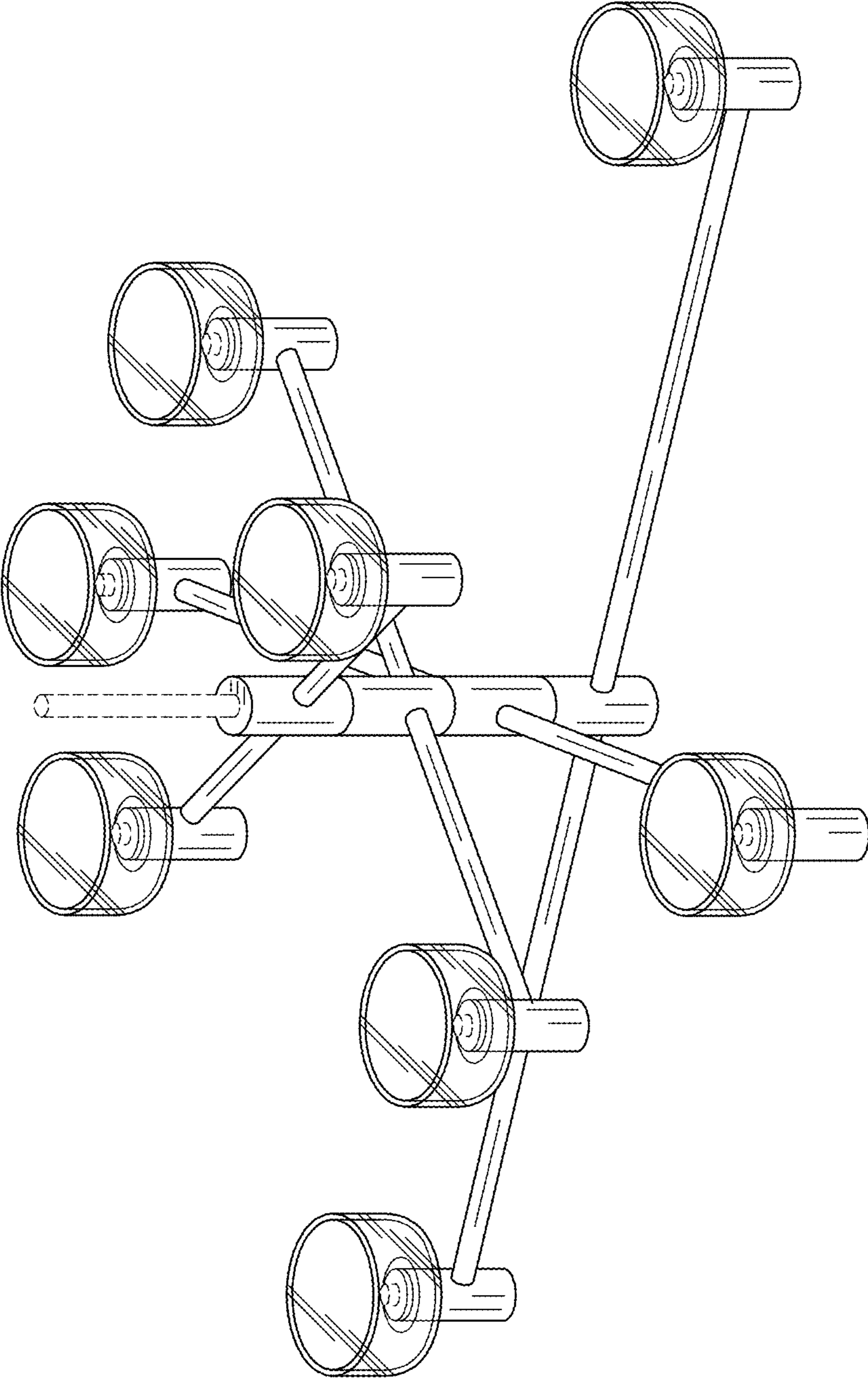


FIG. 1

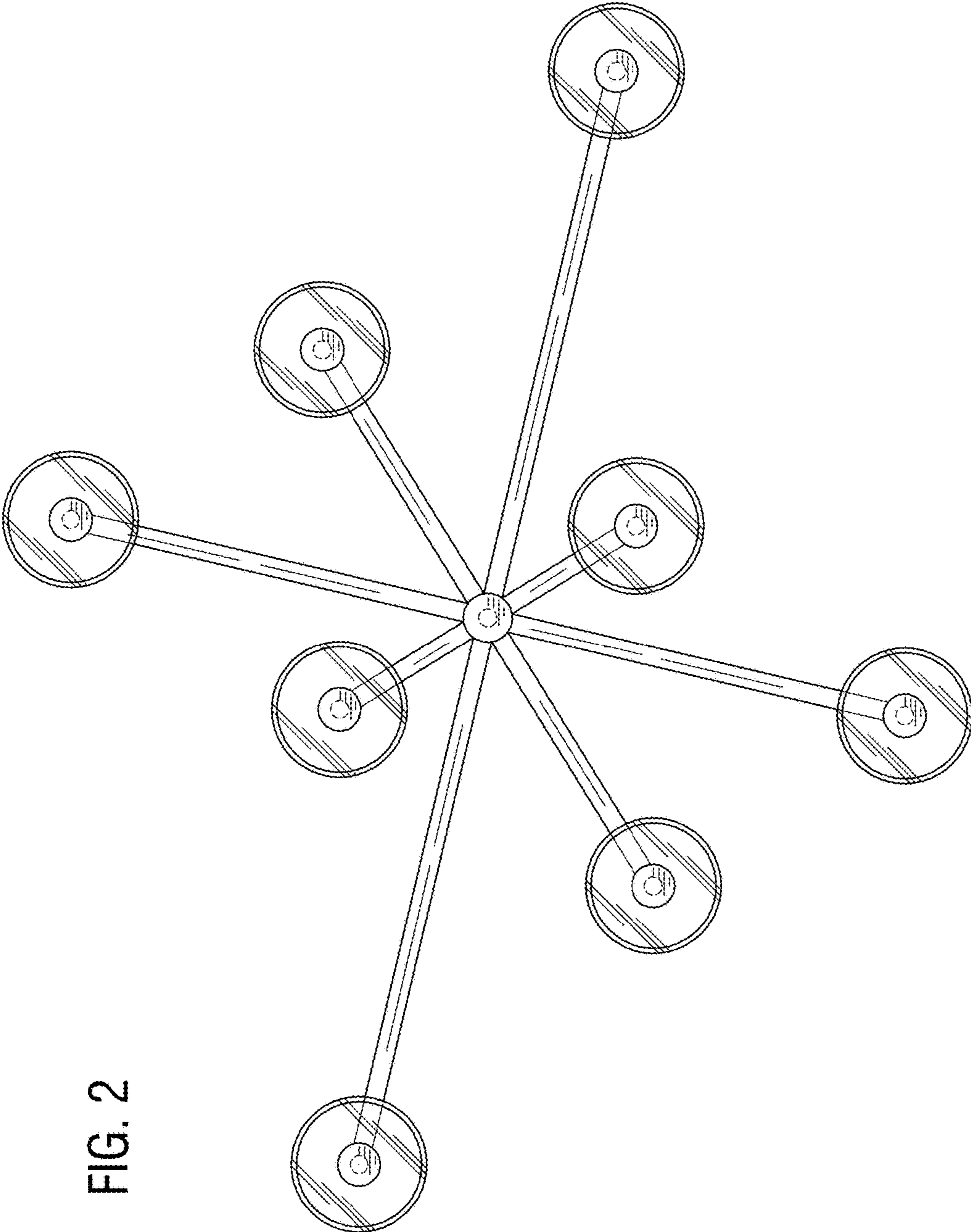


FIG. 2

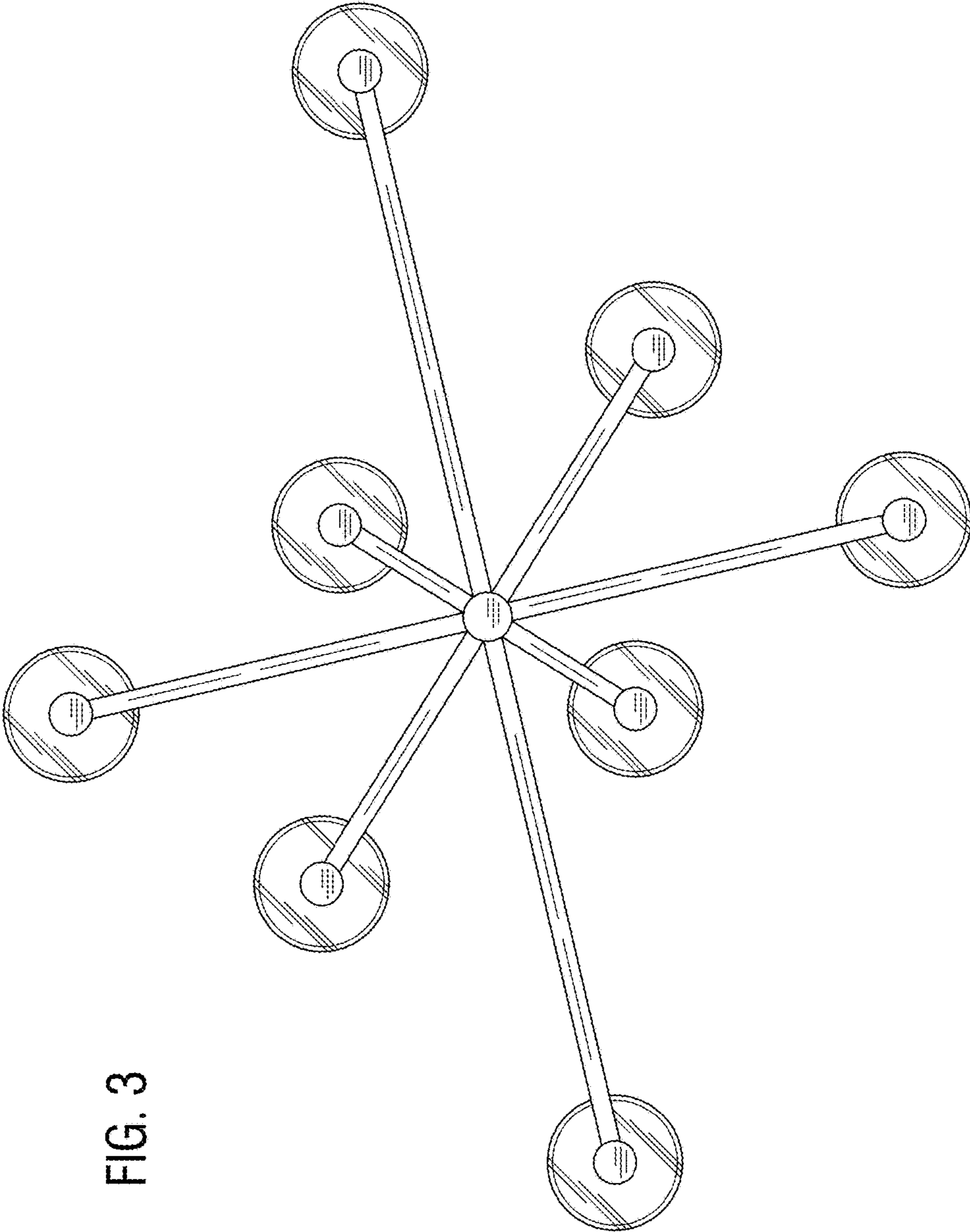
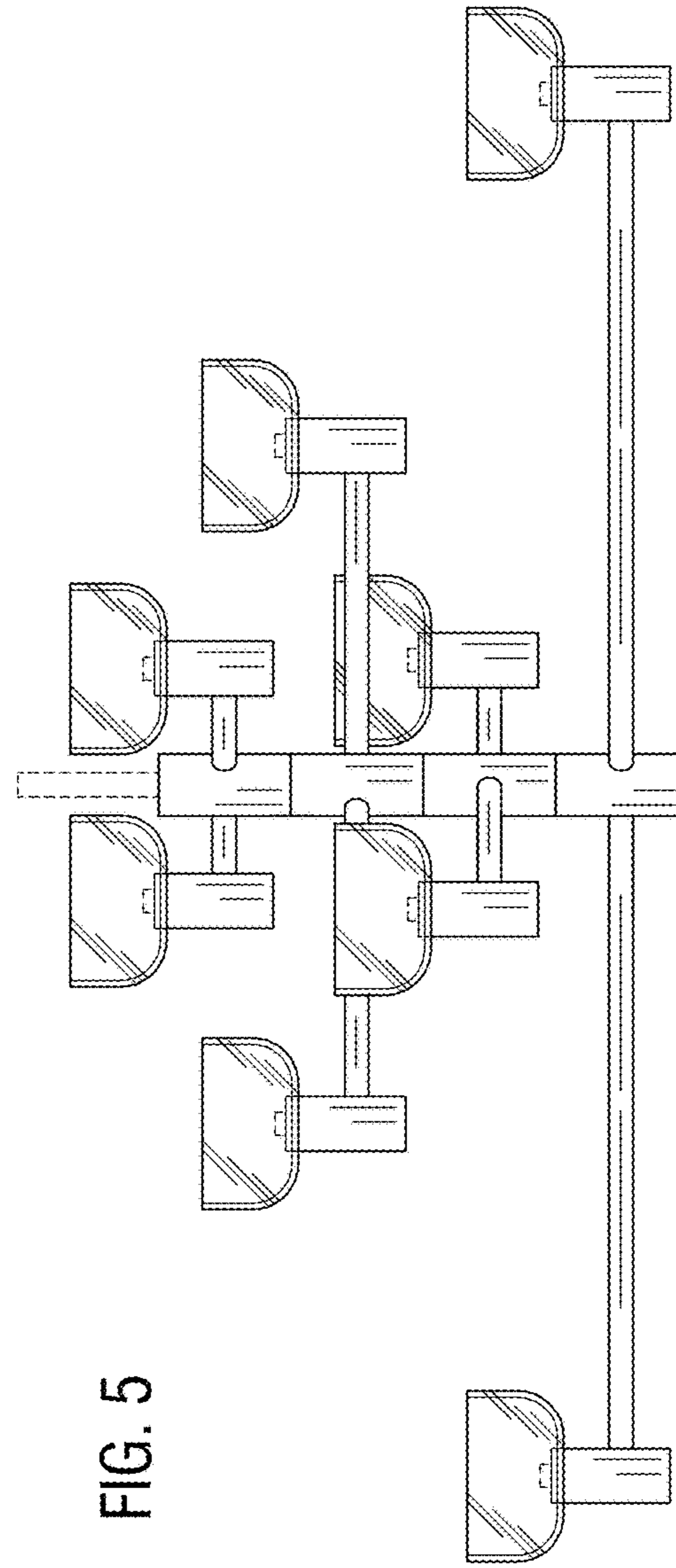
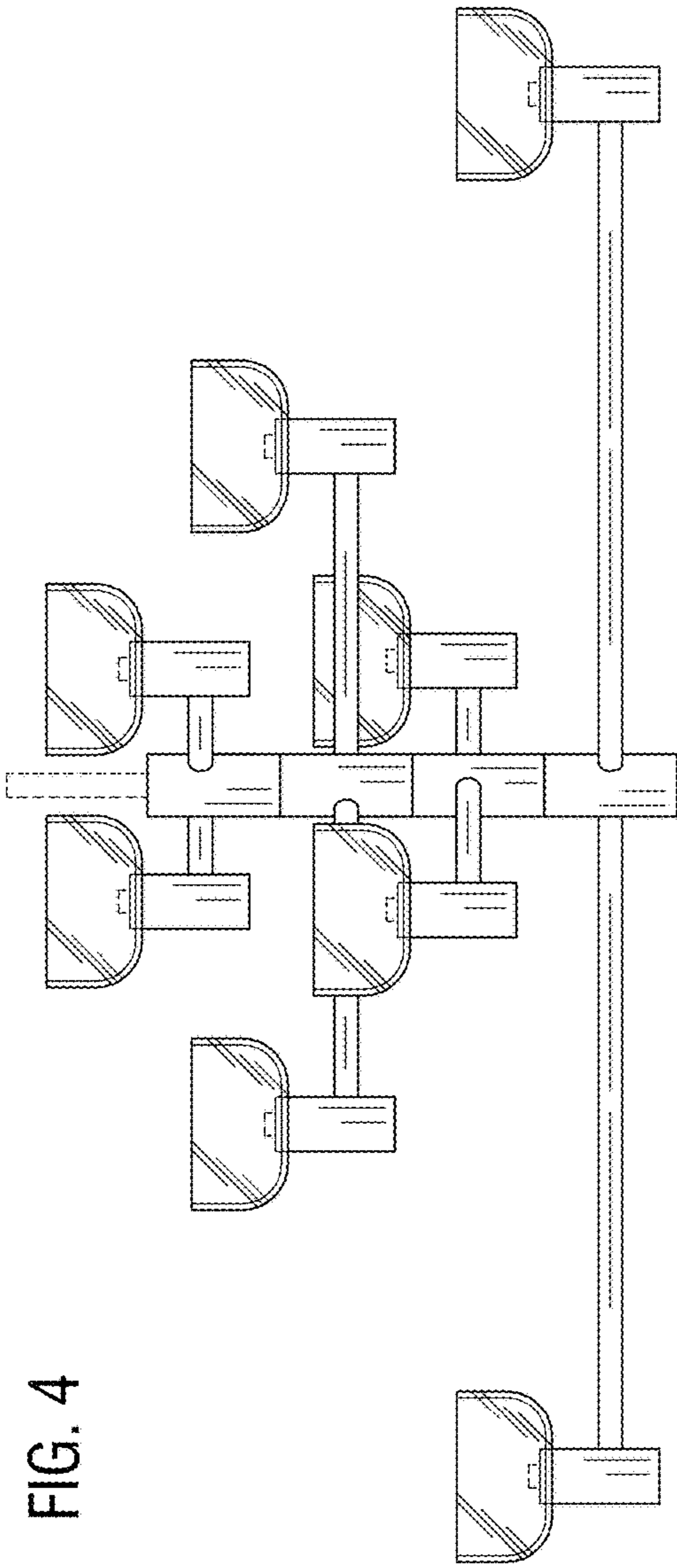


FIG. 3



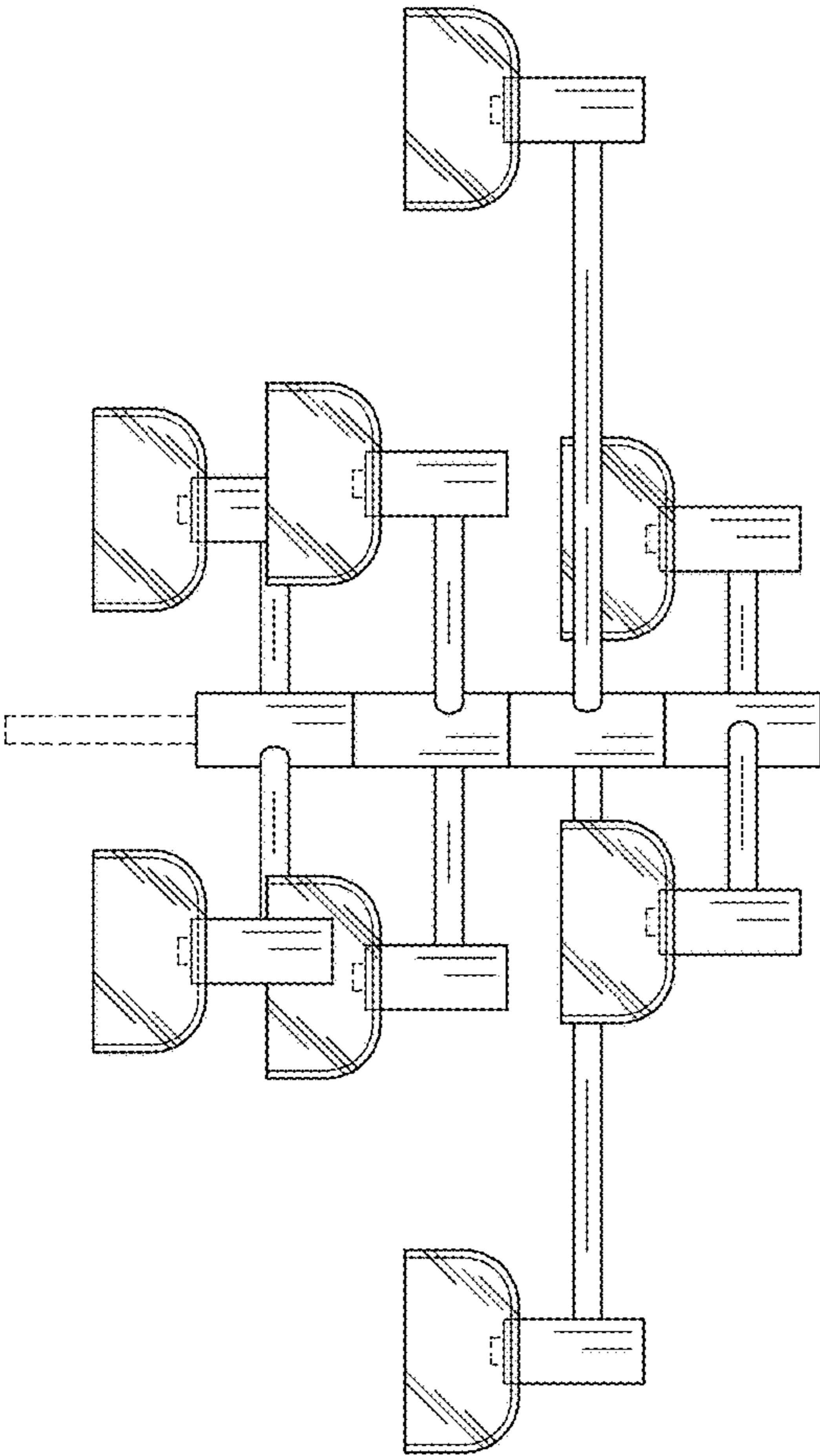


FIG. 6

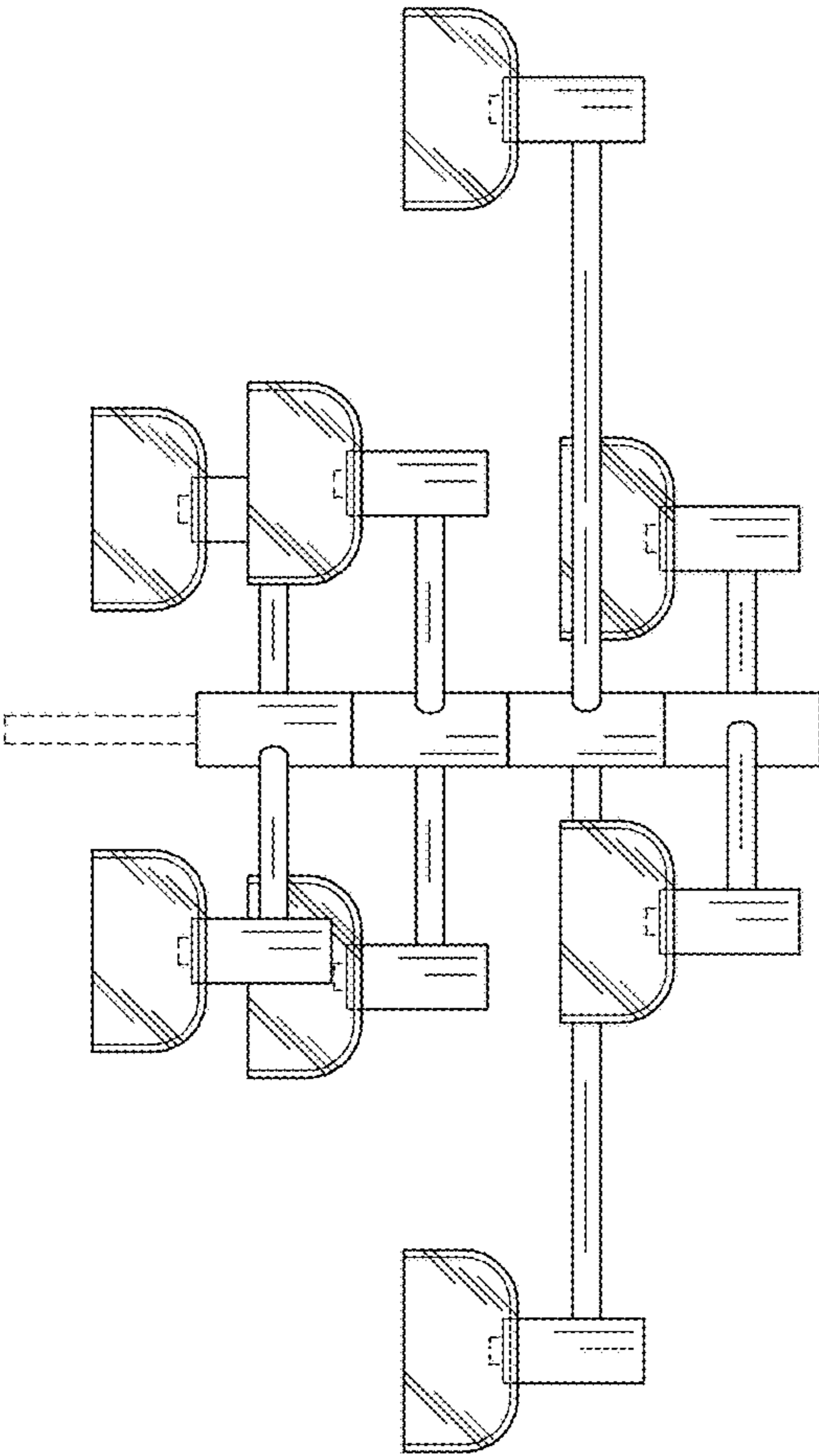


FIG. 7