



US00D793604S

(12) **United States Design Patent**
Whitter

(10) **Patent No.:** **US D793,604 S**

(45) **Date of Patent:** **** Aug. 1, 2017**

(54) **LIGHTING PANEL**

(71) Applicant: **Anthony Whitter**, North York (CA)

(72) Inventor: **Anthony Whitter**, North York (CA)

(**) Term: **15 Years**

(21) Appl. No.: **29/542,719**

(22) Filed: **Oct. 16, 2015**

(51) **LOC (10) Cl.** **26-03**

(52) **U.S. Cl.**
USPC **D26/80**

(58) **Field of Classification Search**
USPC D26/72, 76, 80, 90, 107; D10/114.4
CPC F21S 2/005; F21S 4/28; F21V 21/0832;
Y10S 362/806
See application file for complete search history.

(56) **References Cited**

U.S. PATENT DOCUMENTS

D140,107 S *	1/1945	Lippincott	D26/76
D220,580 S *	4/1971	Edenberg	D26/80
4,482,944 A *	11/1984	Roossine	F21V 19/0005
				362/220
4,774,646 A *	9/1988	L'Heureux	F21S 2/005
				362/145
D374,736 S *	10/1996	DeWinter	D26/72
D374,737 S *	10/1996	Can	D26/80

(Continued)

OTHER PUBLICATIONS

LED Linear Wall Washer, Safety instructions for LW12X1-WW, LW24X1-WW and LW36X1-WW, http://www.americanlighting.com/assets/linear-lwx1-ww_rv1332.pdf; retrieved from the Internet on Dec. 17, 2015.

(Continued)

Primary Examiner — Clare E Heflin

(74) *Attorney, Agent, or Firm* — Blake, Cassels & Graydon LLP; Wilfred P. So

(57) **CLAIM**

The ornamental design for a lighting panel, substantially as shown and described.

DESCRIPTION

FIG. 1 is a perspective view of the lighting panel according to a first embodiment.

FIG. 2 is a front view of the lighting panel shown in FIG. 1.

FIG. 3 is a rear view of the lighting panel shown in FIG. 1.

FIG. 4 is a right side view of the lighting panel shown in FIG. 1.

FIG. 5 is a left side view of the lighting panel shown in FIG. 1.

FIG. 6 is a top view of the lighting panel shown in FIG. 1.

FIG. 7 is a bottom view of the lighting panel shown in FIG. 1.

FIG. 8 is a perspective view of the lighting panel according to a second embodiment.

FIG. 9 is a front view of the lighting panel shown in FIG. 8.

FIG. 10 is a rear view of the lighting panel shown in FIG. 8.

FIG. 11 is a right side view of the lighting panel shown in FIG. 8.

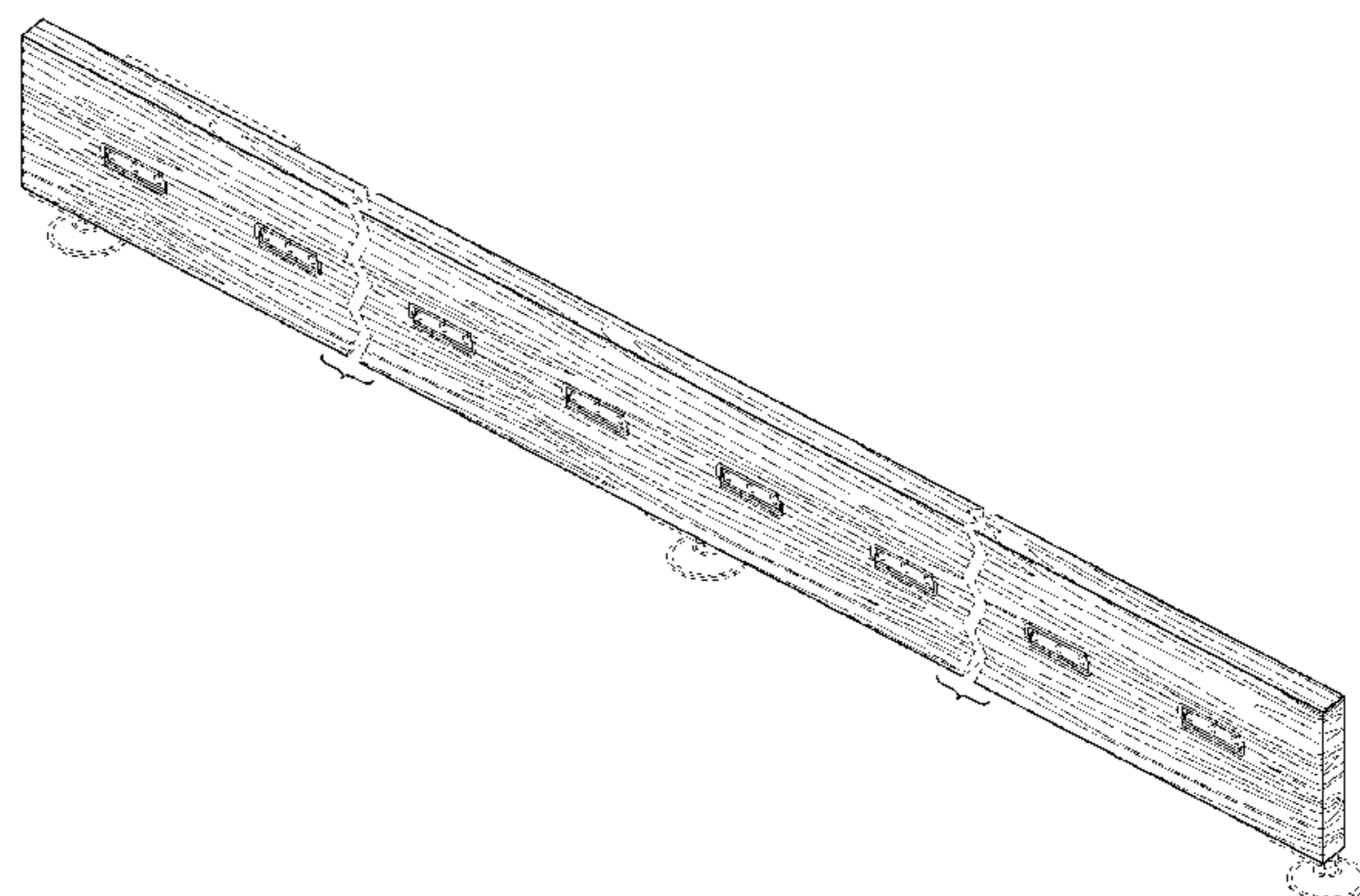
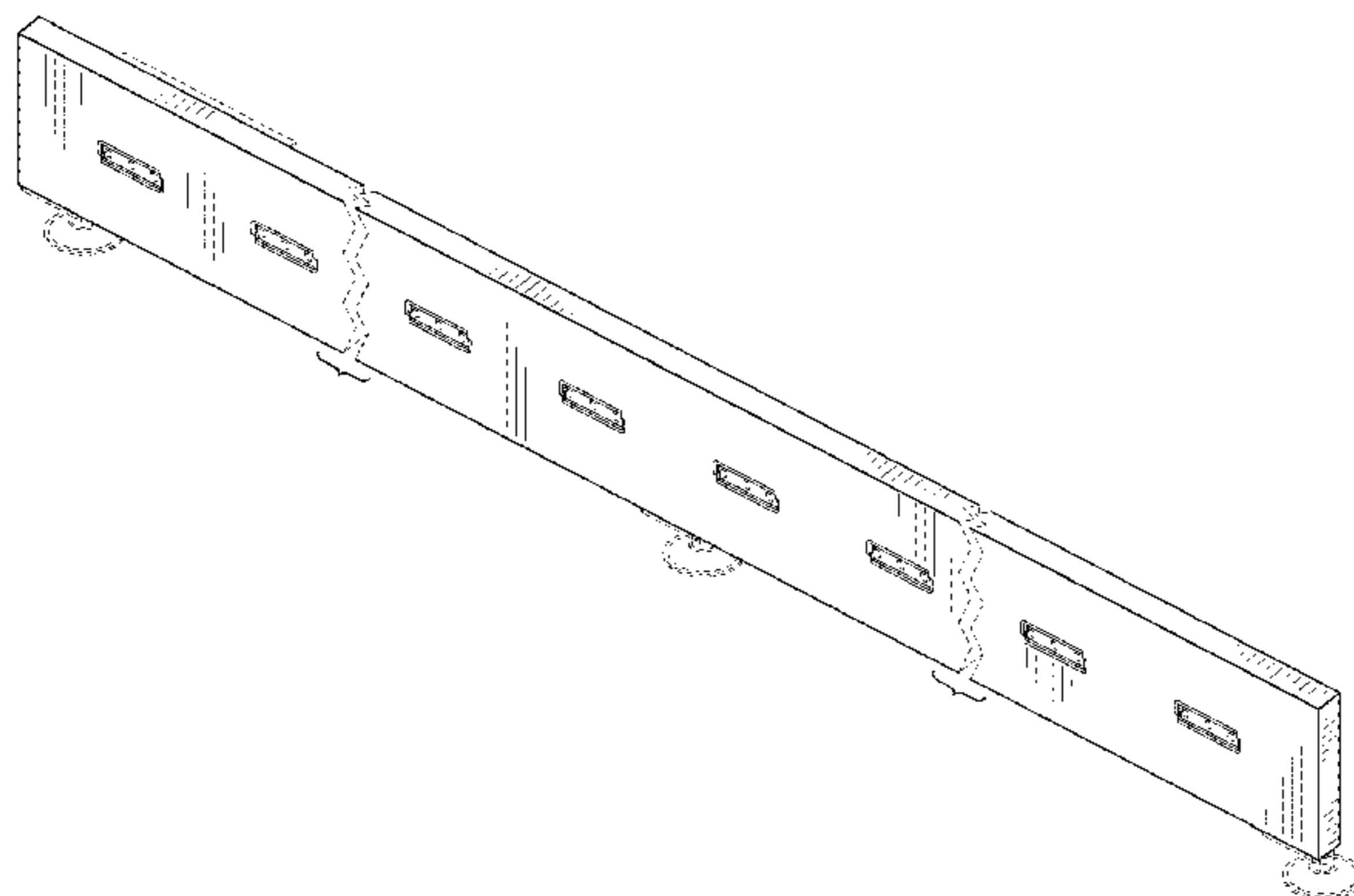
FIG. 12 is a left side view of the lighting panel shown in FIG. 8.

FIG. 13 is a top view of the lighting panel shown in FIG. 8; and,

FIG. 14 is a bottom view of the lighting panel shown in FIG. 8.

The symbolic break in the drawings indicates the appearance of any portion of the article between the break lines forms no part of the claimed design. The broken lines shown on the drawings depict portions of the lighting panel that form no part of the claimed design.

1 Claim, 6 Drawing Sheets



(56)

References Cited

U.S. PATENT DOCUMENTS

D411,325 S 6/1999 Roorda
6,033,088 A * 3/2000 Contigiani F21V 17/007
362/249.14
6,183,109 B1 2/2001 Nelson et al.
D543,651 S * 5/2007 Hargreaves D26/75
D573,730 S * 7/2008 Uemoto D26/1
D595,887 S * 7/2009 Blom D26/51
7,815,341 B2 10/2010 Steedly et al.
7,845,819 B1 * 12/2010 Strong F21V 21/02
362/145
D655,447 S * 3/2012 Sabernig D26/113
D695,439 S * 12/2013 Kim D26/72
D696,439 S * 12/2013 He D26/24
D713,981 S * 9/2014 Law D26/31
8,939,634 B2 1/2015 Leadford et al.
D727,554 S * 4/2015 Clark D26/90
D728,141 S * 4/2015 Nicholas D26/81

9,534,742 B2 * 1/2017 Hsu F21K 9/30
2014/0204572 A1 7/2014 Spinelli
2015/0062887 A1 * 3/2015 Hsu F21K 9/30
362/217.17
2016/0131311 A1 * 5/2016 Qin F21S 4/28
362/92
2016/0161070 A1 * 6/2016 Ellis F21V 23/045
362/183

OTHER PUBLICATIONS

LED Linear Freestanding Wall Washers; http://www.ebay.com/itm/32in-LED-Linear-Freestanding-Wall-Washer-/221851287075?hash=item33a75dfe23&nma=true&si=2IAsP0Kxo89Tgxloy%252Blbebjg1m4%253D&orig_cvip=true&rt=nc&_trksid=p2047675.12557, retrieved from the Internet Dec. 22, 2015.

* cited by examiner

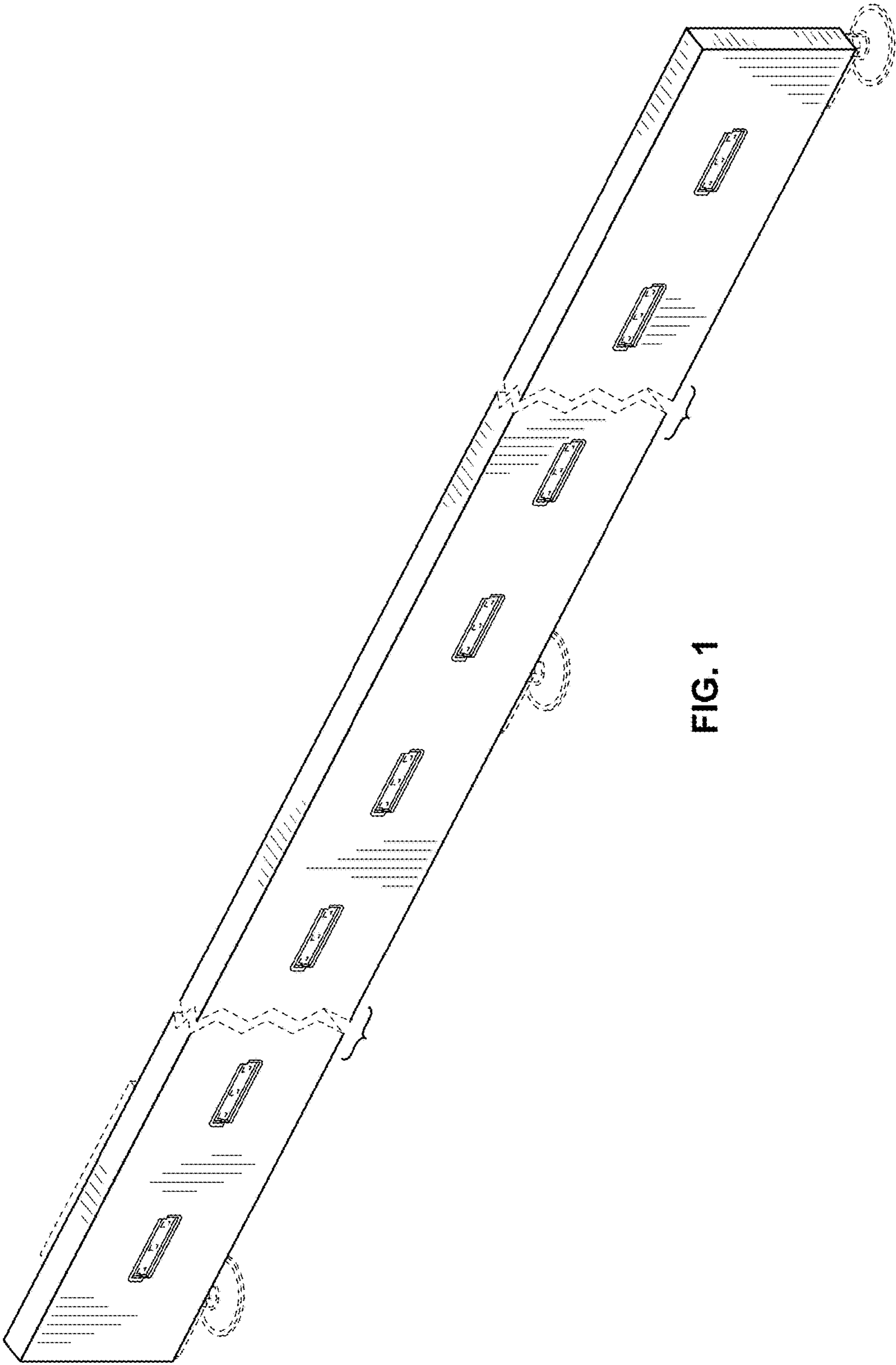


FIG. 1

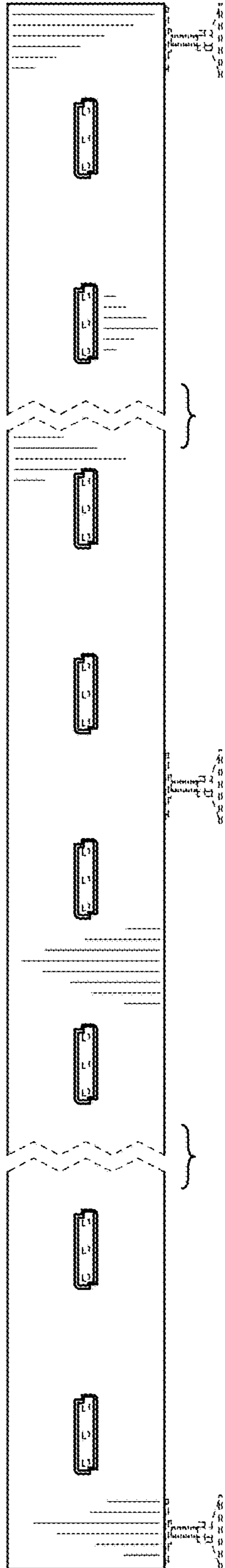


FIG. 2

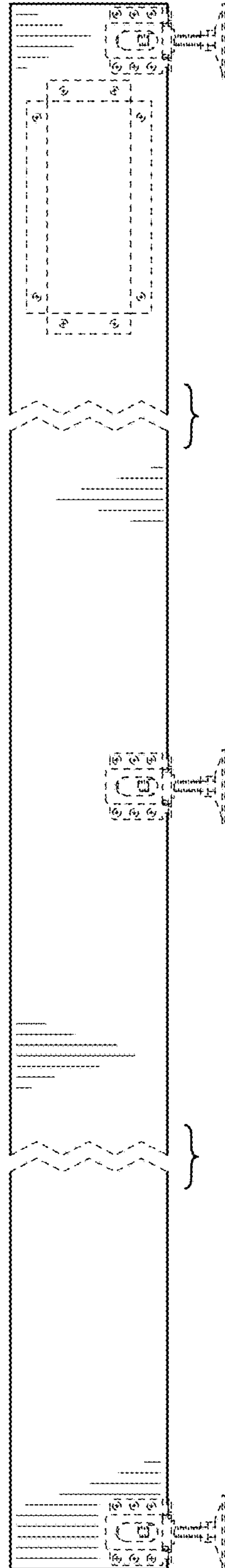


FIG. 3

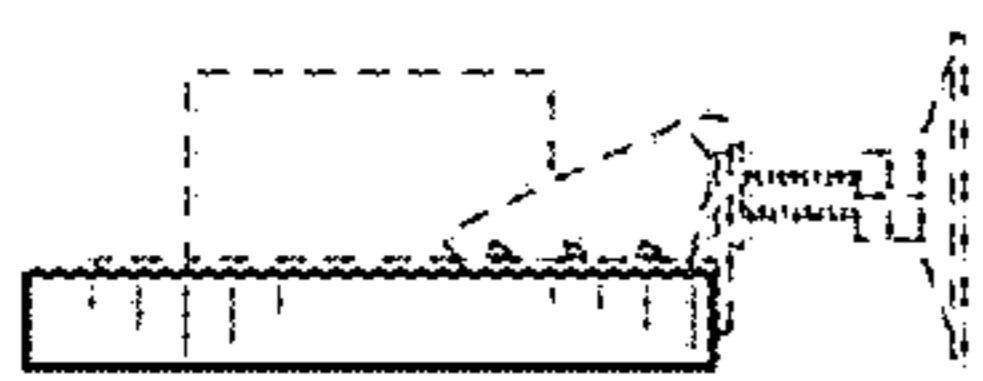


FIG. 4

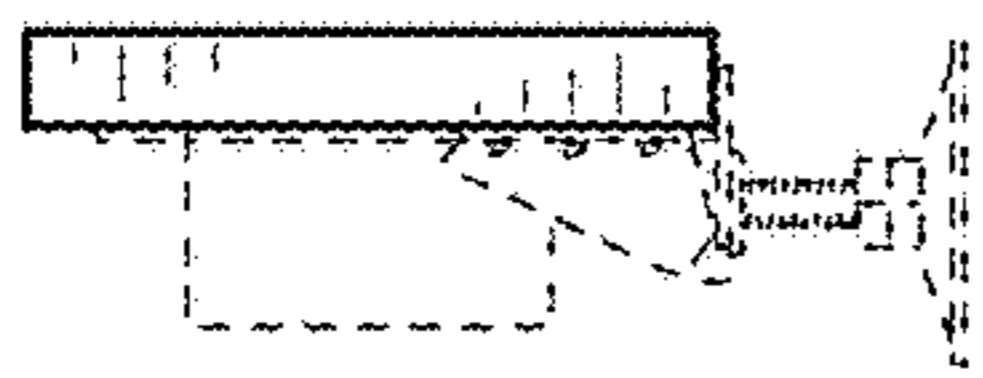


FIG. 5

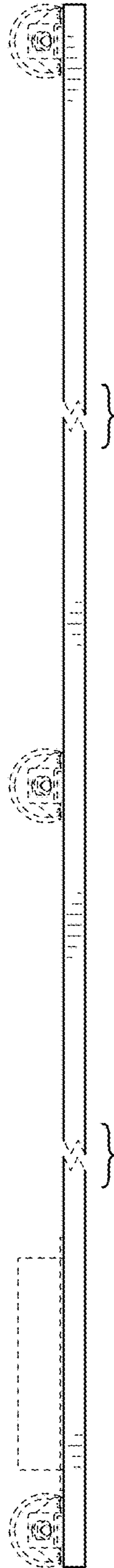


FIG. 6



FIG. 7

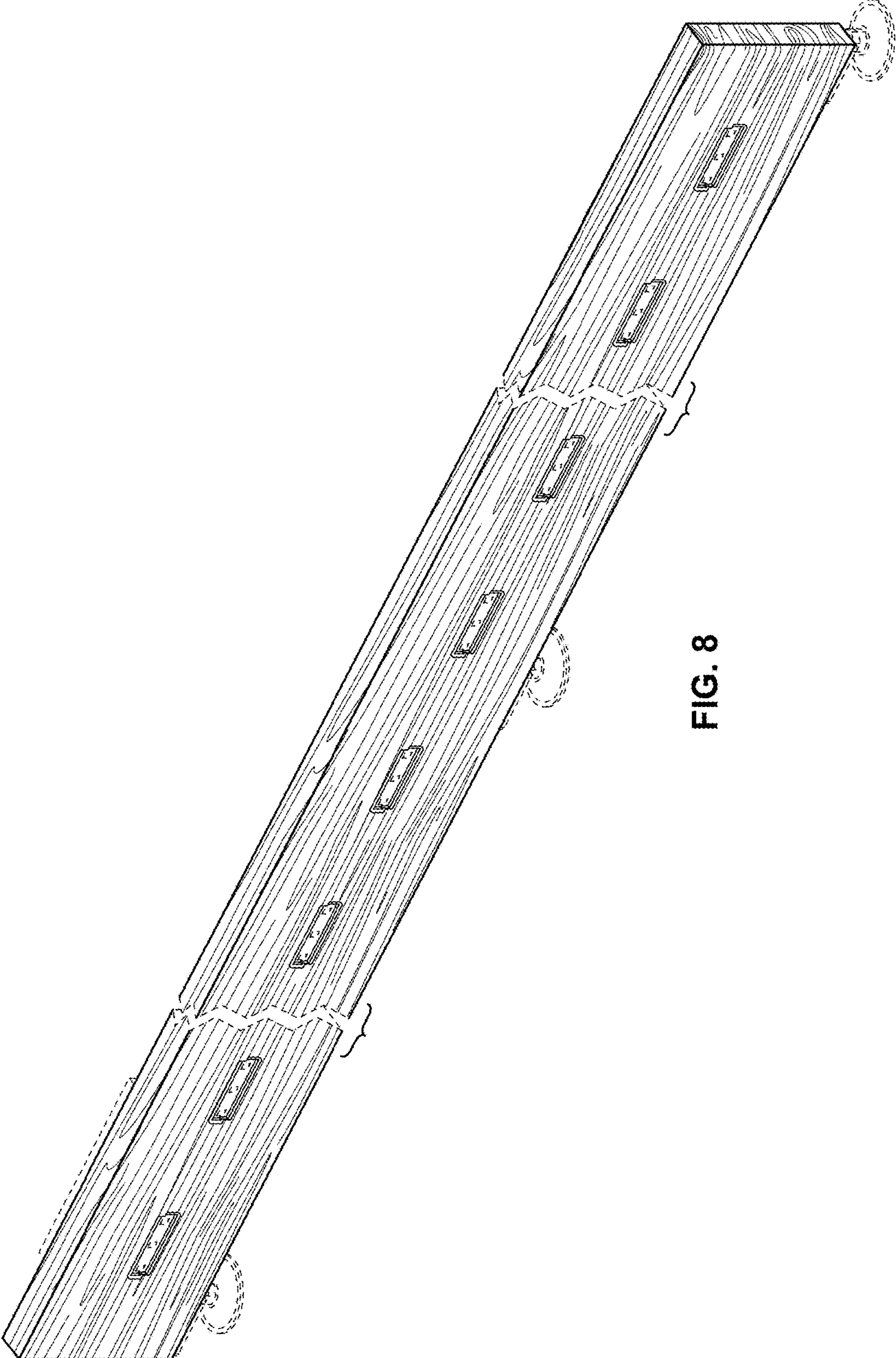


FIG. 8

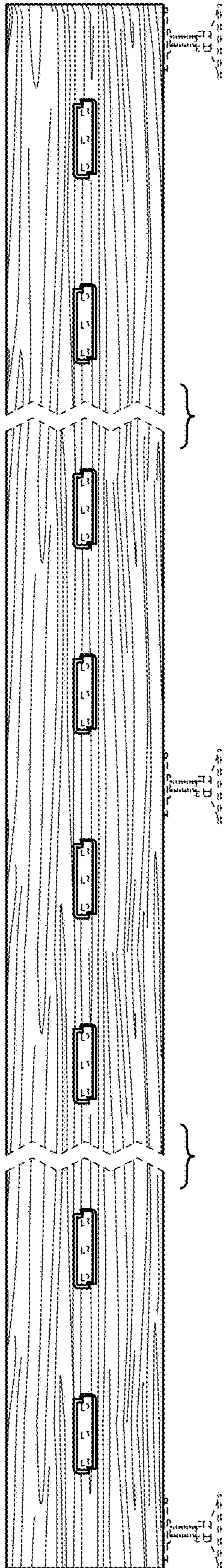


FIG. 9

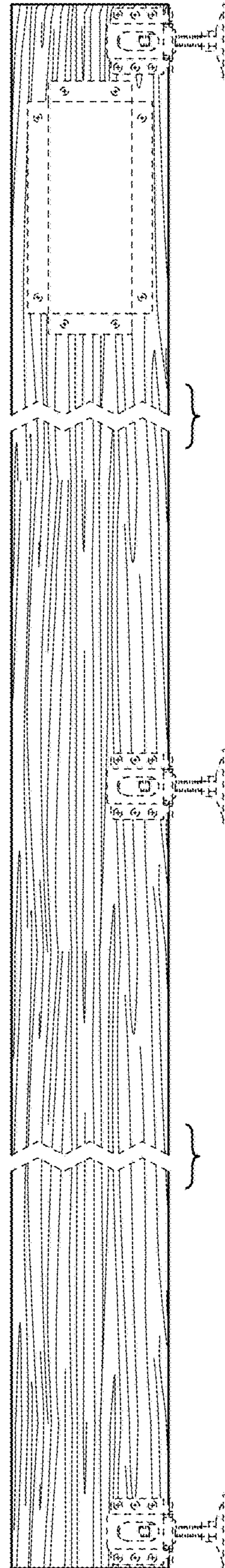


FIG. 10

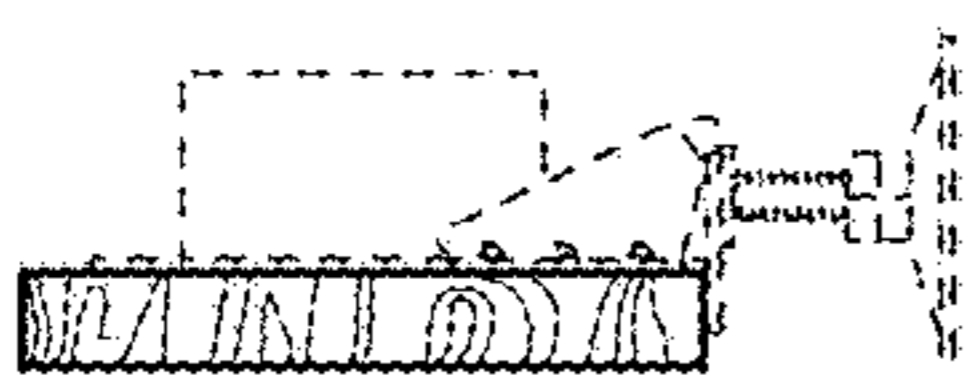


FIG. 11

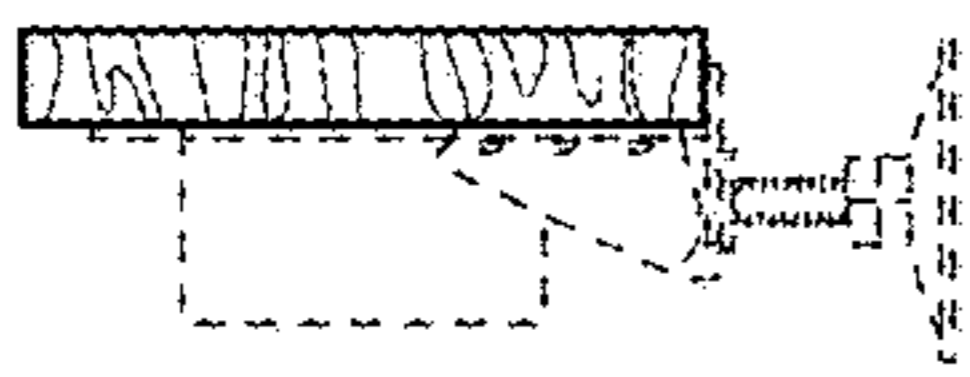


FIG. 12

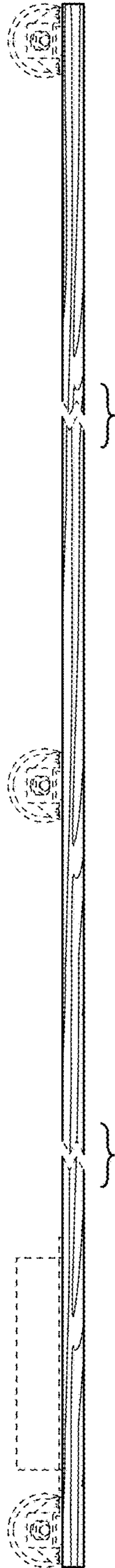


FIG. 13

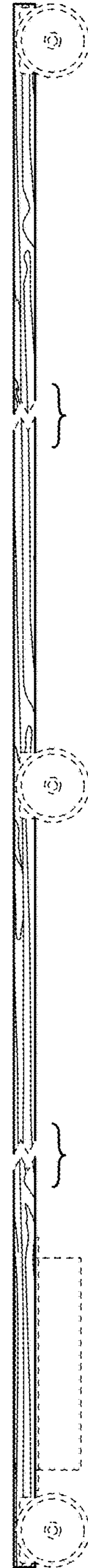


FIG. 14