



US00D793603S

(12) **United States Design Patent** (10) **Patent No.:** **US D793,603 S**
Parker et al. (45) **Date of Patent:** **** Aug. 1, 2017**

(54) **LINEAR MODULE HINGED LUMINAIRE**

(74) *Attorney, Agent, or Firm* — Shaun P. Montana

(71) Applicants: **Matthew Parker**, Lee, NH (US);
Yvetta Pols Sandhu, Winchester, MA
(US); **Courtney P. Hewitt**,
Charlestown, MA (US)

(57) **CLAIM**

The ornamental design for a linear module hinged luminaire,
as shown and described.

(72) Inventors: **Matthew Parker**, Lee, NH (US);
Yvetta Pols Sandhu, Winchester, MA
(US); **Courtney P. Hewitt**,
Charlestown, MA (US)

DESCRIPTION

(73) Assignee: **OSRAM SYLVANIA Inc.**, Wilmington,
MA (US)

FIG. 1 is a perspective view of the ornamental design of a
linear module hinged luminaire.

(**) Term: **14 Years**

FIG. 2 is a bottom view of the ornamental design of a linear
module hinged luminaire.

(21) Appl. No.: **29/523,865**

FIG. 3 is a top view of the ornamental design of a linear
module hinged luminaire.

(22) Filed: **Apr. 14, 2015**

FIG. 4 is a left view of the ornamental design of a linear
module hinged luminaire.

(51) **LOC (10) Cl.** **26-03**

FIG. 5 is a right view of the ornamental design of a linear
module hinged luminaire.

(52) **U.S. Cl.**
USPC **D26/76**

FIG. 6 is a front view of the ornamental design of a linear
module hinged luminaire.

(58) **Field of Classification Search**

FIG. 7 is a back view of the ornamental design of a linear
module hinged luminaire.

USPC D26/24, 39, 59, 67, 68, 69, 70, 71, 72,
D26/74, 77, 80, 88, 89, 138, 139, 140,
D26/141, 142, 151, 152

FIG. 8 is a perspective view of the ornamental design of a
linear module hinged luminaire in an open configuration.

CPC F21V 17/12; F21V 17/18; F21V 21/002;
F21V 21/043; F21V 21/047; F21V 21/06;
F21V 21/084; F21V 21/14; F21V 23/04;
F21V 33/00

FIG. 9 is a bottom view of the ornamental design of a linear
module hinged luminaire in an open configuration.

See application file for complete search history.

FIG. 10 is a top view of the ornamental design of a linear
module hinged luminaire in an open configuration.

(56) **References Cited**

U.S. PATENT DOCUMENTS

D526,737 S * 8/2006 Noh D26/75
7,331,687 B1 * 2/2008 Noh F21S 2/00
362/217.05

FIG. 11 is a left view of the ornamental design of a linear
module hinged luminaire in an open configuration.

FIG. 12 is a front view of the ornamental design of a linear
module hinged luminaire in an open configuration.

FIG. 13 is a right view of the ornamental design of a linear
module hinged luminaire in an open configuration; and,

FIG. 14 is a back view of the ornamental design of a linear
module hinged luminaire in an open configuration.

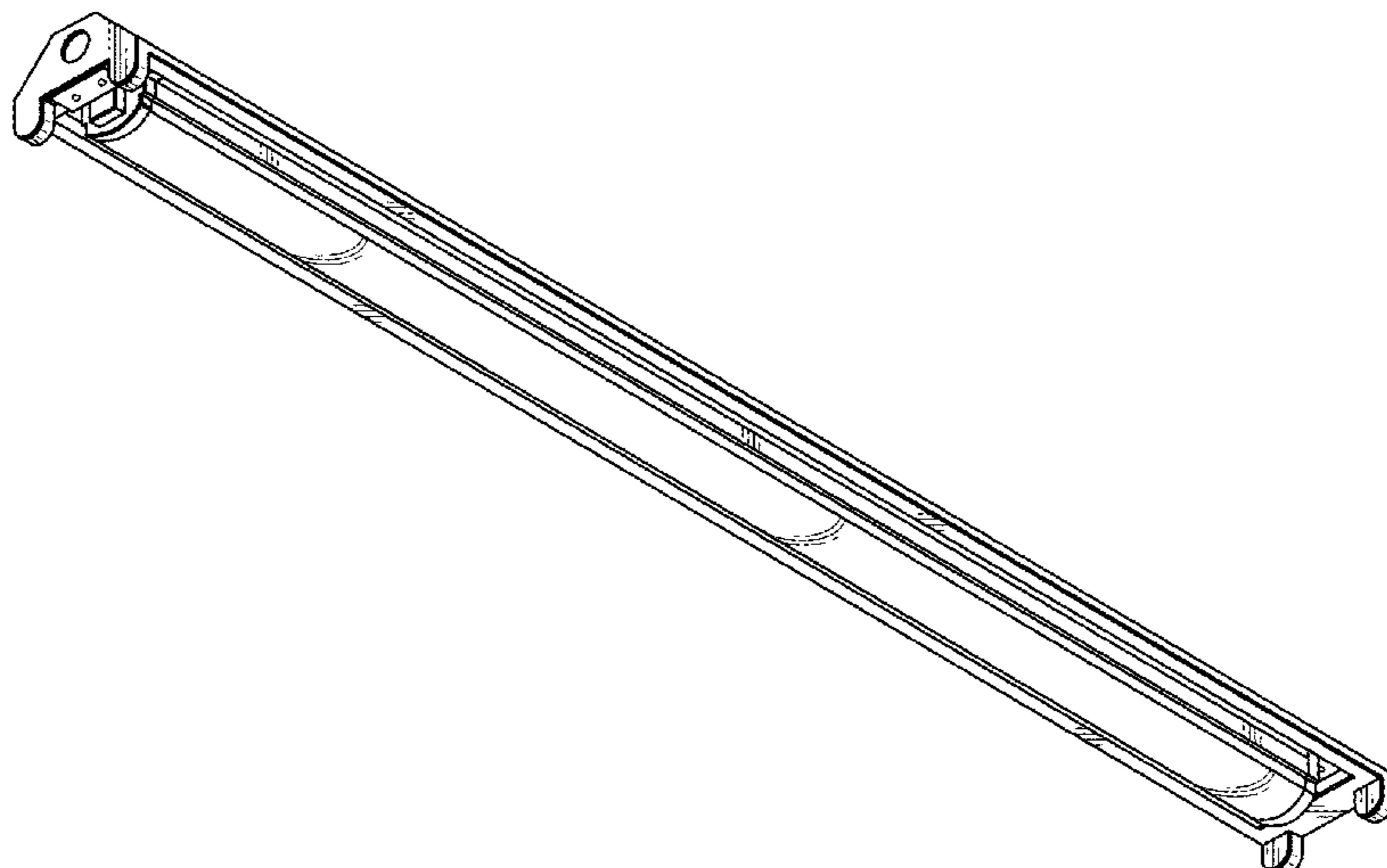
The broken-line disclosure in the views is understood to
represent portions of the article in which the claimed design
is embodied, but which form no part of the claimed design.

(Continued)

Primary Examiner — George D Kirschbaum

Assistant Examiner — Natasha Vujcic

1 Claim, 6 Drawing Sheets



(56)

References Cited

U.S. PATENT DOCUMENTS

7,513,640 B2 * 4/2009 Hendrikus H01R 33/08
362/219
D602,627 S * 10/2009 Lasthein D26/76
D606,237 S * 12/2009 Schmitt D26/93
D608,928 S * 1/2010 Noh D26/76
D663,065 S * 7/2012 Beghelli D26/76
D690,050 S * 9/2013 Ng D26/80
D690,870 S * 10/2013 Ng D26/80
D693,514 S * 11/2013 Mueller D26/76
D695,943 S * 12/2013 Duquette D26/76
D729,423 S * 5/2015 Noh D26/24

* cited by examiner

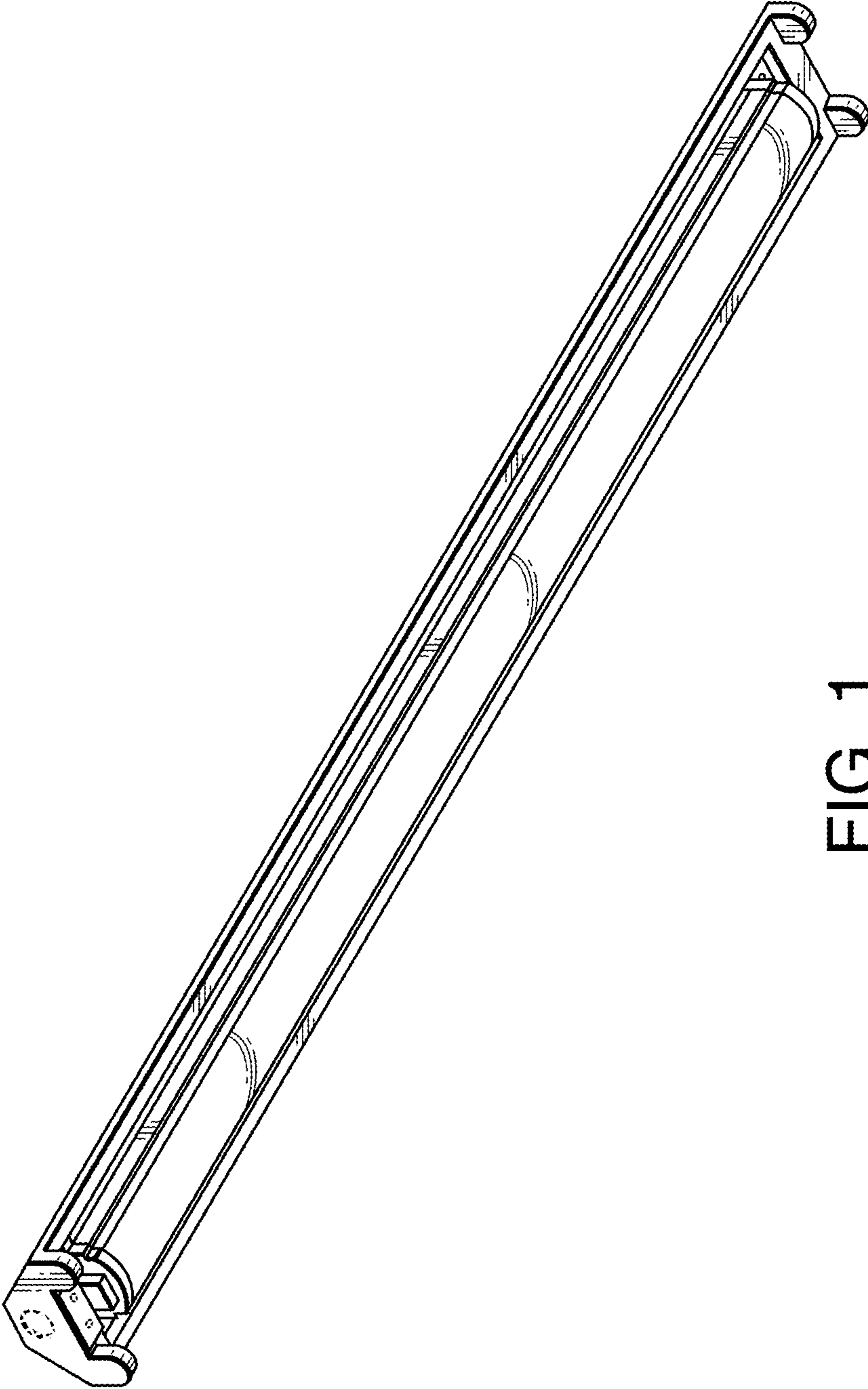


FIG. 1

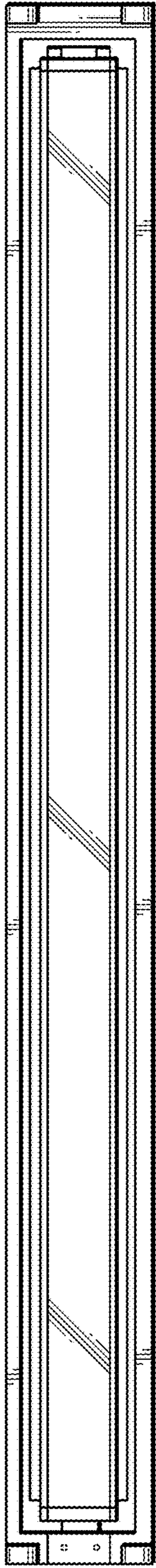


FIG. 2

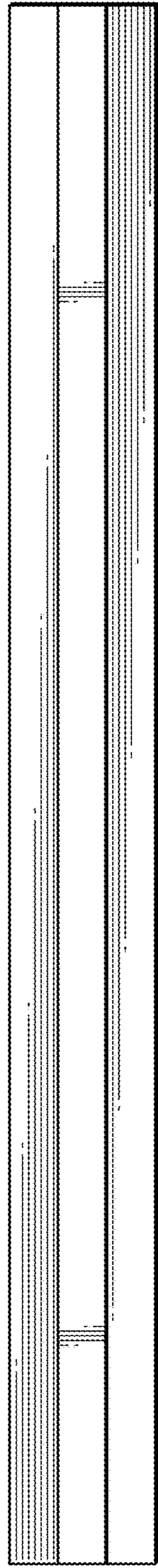


FIG. 3

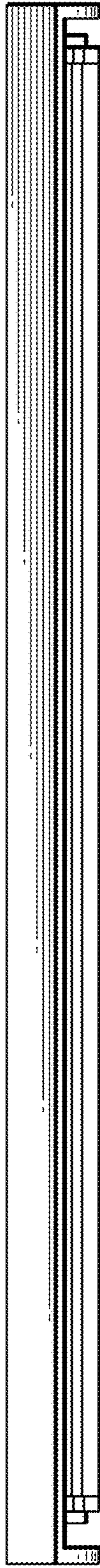


FIG. 4

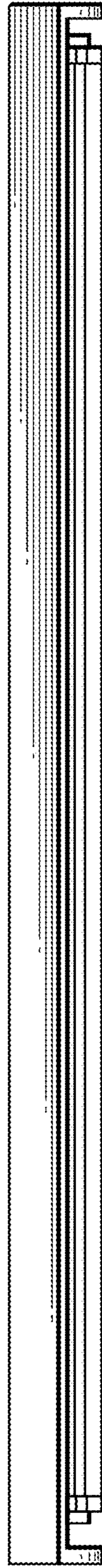


FIG. 5

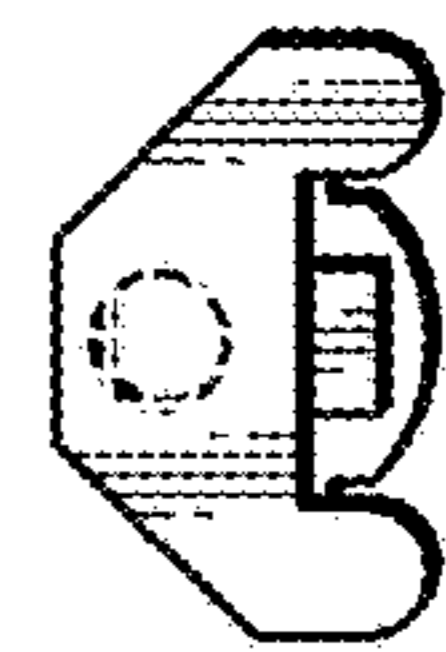


FIG. 6

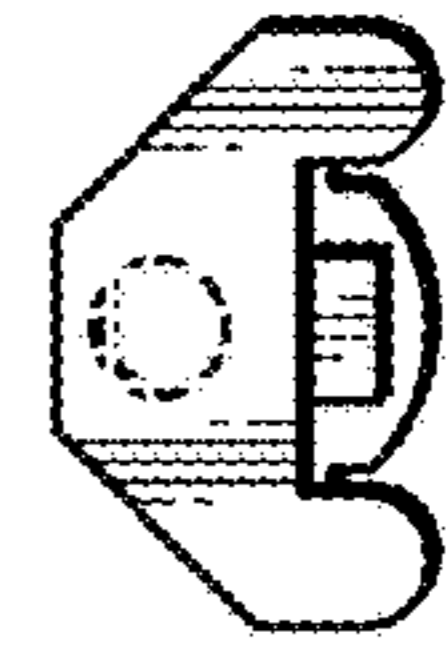


FIG. 7

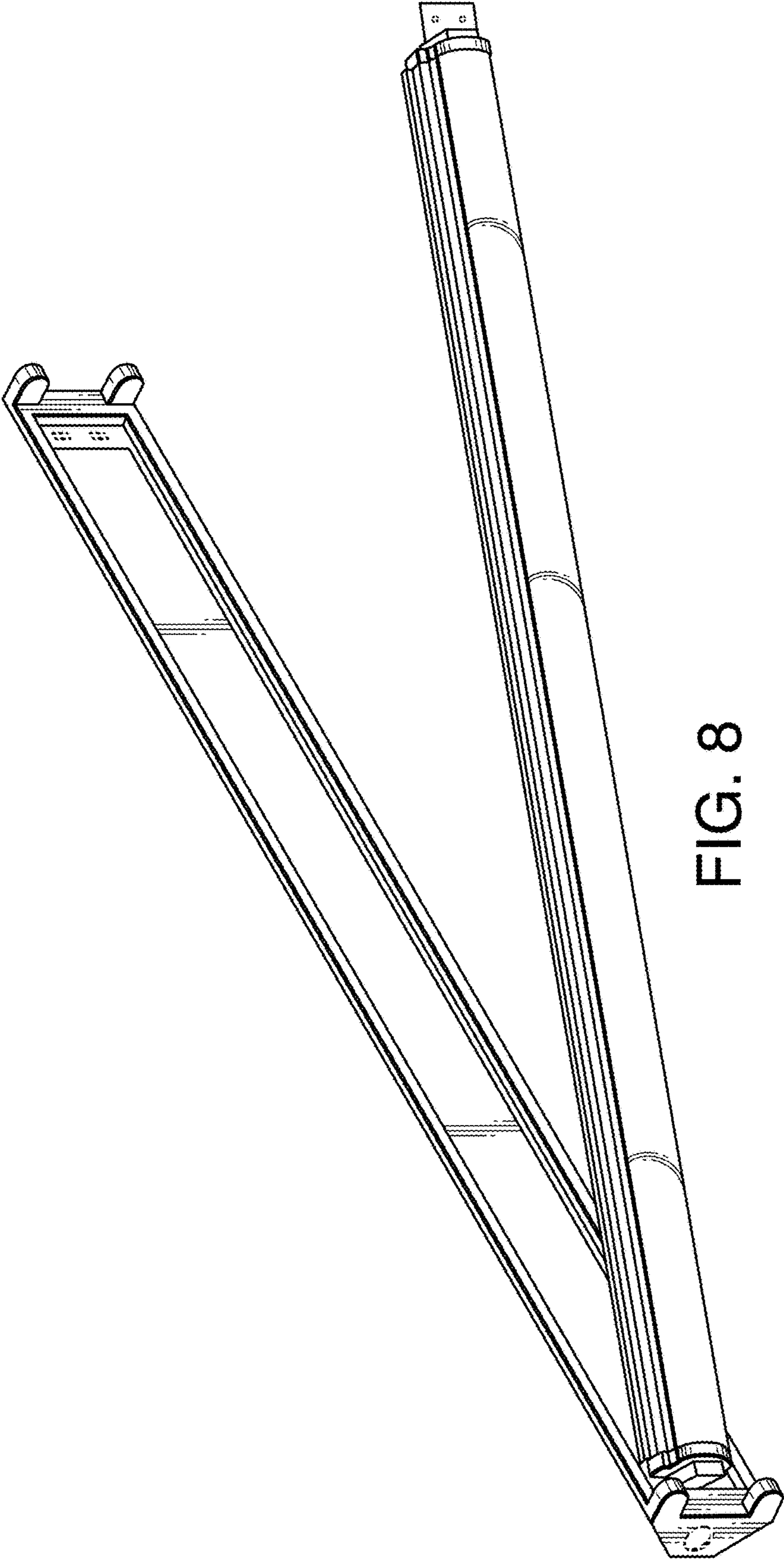


FIG. 8

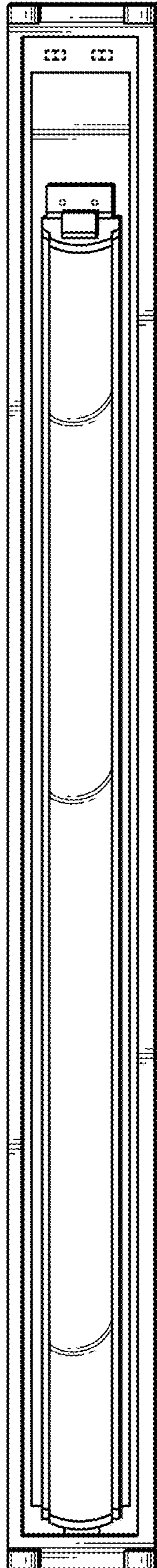


FIG. 9

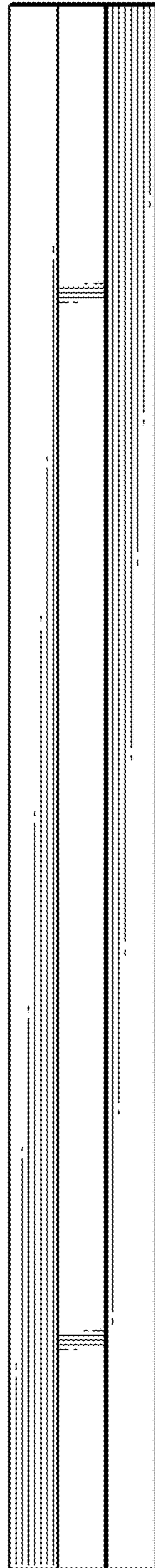


FIG. 10

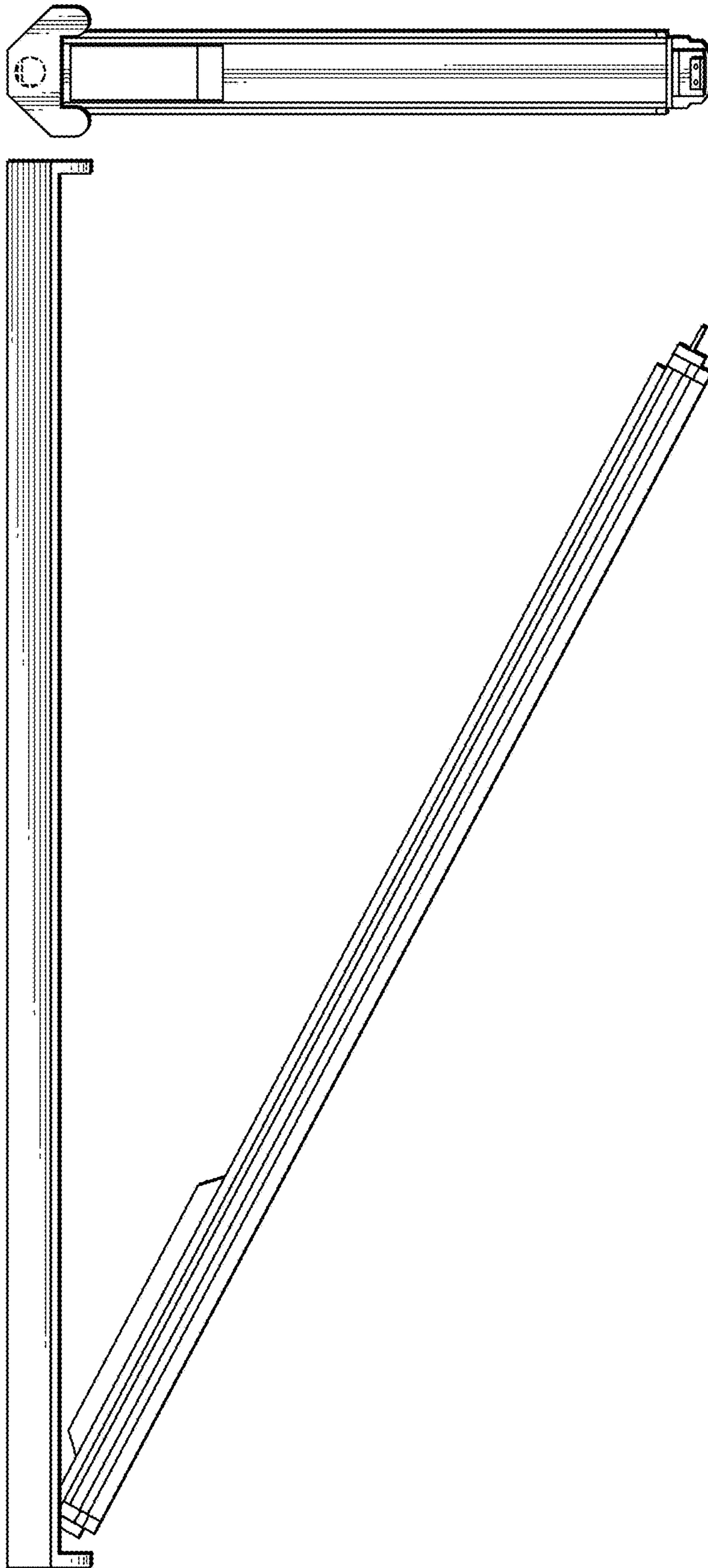


FIG. 12

FIG. 11

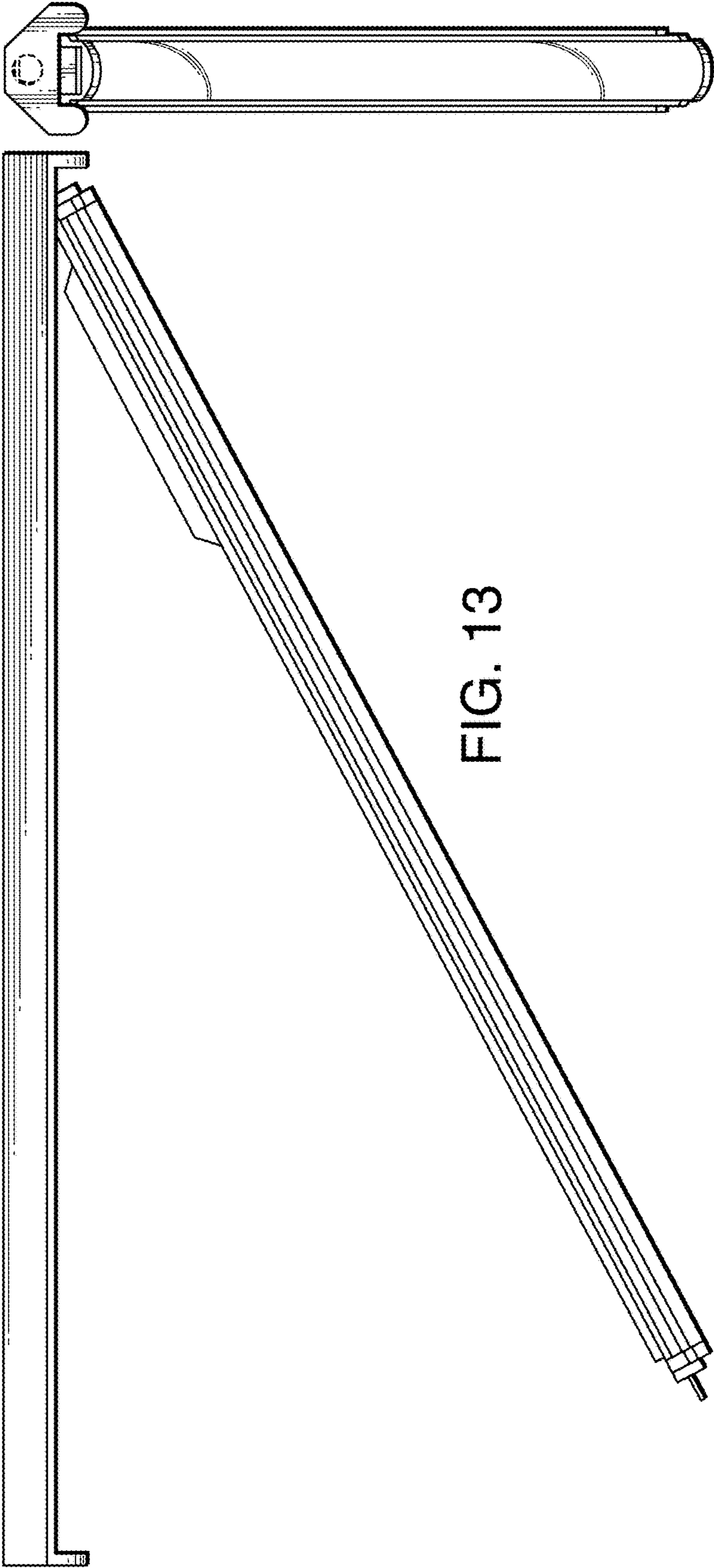


FIG. 13

FIG. 14