



US00D793601S

(12) **United States Design Patent** (10) **Patent No.:** **US D793,601 S**
Ladewig et al. (45) **Date of Patent:** **** Aug. 1, 2017**

- (54) **AREA LIGHT FIXTURE**
- (71) Applicant: **Cooper Technologies Company**,
Houston, TX (US)
- (72) Inventors: **Christopher Ladewig**, Fayetteville, GA
(US); **Timothy Wright**, Peachtree City,
GA (US)
- (73) Assignee: **Cooper Technologies Company**,
Houston, TX (US)
- (**) Term: **15 Years**
- (21) Appl. No.: **29/574,952**
- (22) Filed: **Aug. 19, 2016**

Related U.S. Application Data

- (62) Division of application No. 29/525,451, filed on Apr.
29, 2015, now Pat. No. Des. 766,485.
- (51) **LOC (10) Cl.** **26-05**
- (52) **U.S. Cl.**
USPC **D26/71; D26/92**
- (58) **Field of Classification Search**
USPC D26/63, 71, 92
CPC .. F21S 8/033; F21S 8/036; F21S 8/085; F21S
8/086; F21V 21/30; F21W 2111/02
See application file for complete search history.

(56) **References Cited**

U.S. PATENT DOCUMENTS

D220,778 S	5/1971	Jablonski et al.	
D391,659 S *	3/1998	Gaskins	D26/71
D609,384 S	2/2010	Gray	
D652,557 S *	1/2012	Boissevain	D26/71
D676,173 S	2/2013	Akinrele	
D676,174 S	2/2013	Akinrele	
D676,175 S	2/2013	Akinrele	
D676,176 S	2/2013	Akinrele	
D676,177 S	2/2013	Akinrele	

D676,178 S	2/2013	Akinrele	
D688,404 S	8/2013	Boissevain	
D689,233 S *	9/2013	Boissevain	D26/71
D695,437 S	12/2013	Johnson	
D710,046 S *	7/2014	Mocek	D26/71
D717,989 S *	11/2014	Heim	D26/71
D726,947 S *	4/2015	Boyer	D26/71
D729,968 S	5/2015	Szalontai	
D747,527 S	1/2016	Guercio	
D766,485 S *	9/2016	Ladewig	D26/71

(Continued)

OTHER PUBLICATIONS

“Pure in the form and function, defining performance: Specification Grade Luminaires”. LED Solution. Philips. p. 1-21. Feb. 2015. www.philips.com/luminaires.

(Continued)

Primary Examiner — Clare E Heflin

(74) *Attorney, Agent, or Firm* — King & Spalding LLP

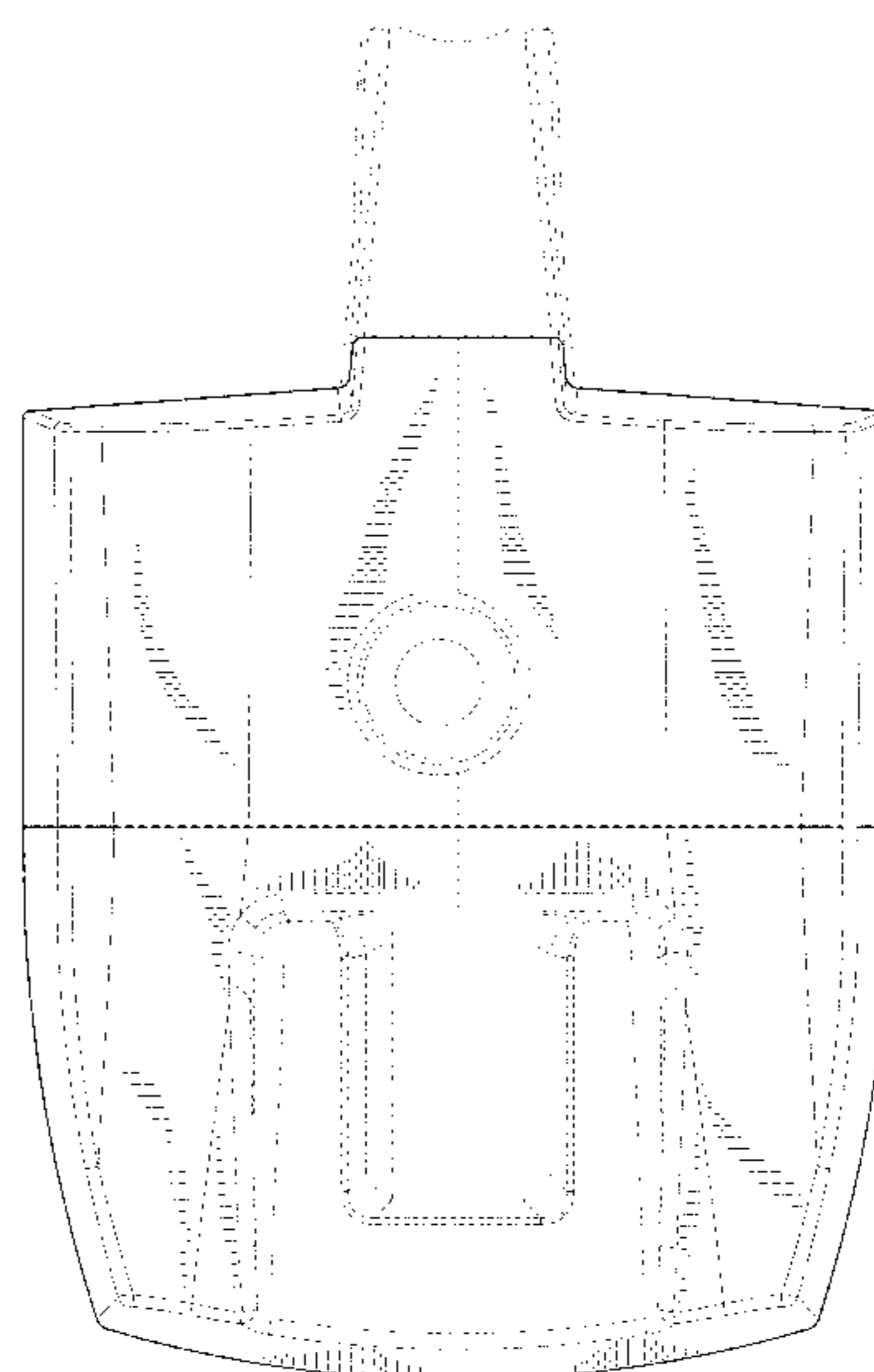
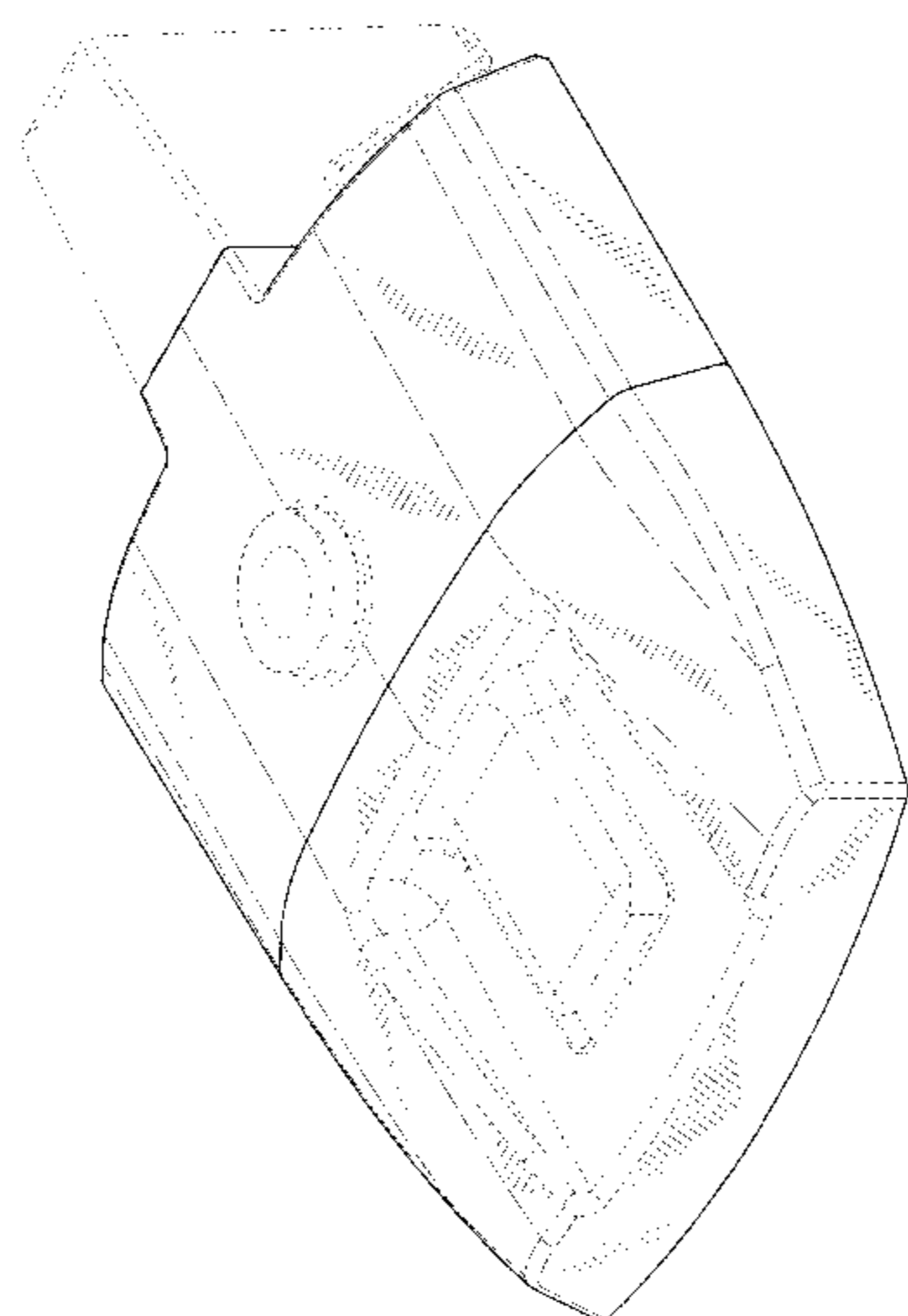
(57) **CLAIM**

The ornamental design for an area light fixture, as shown and described.

DESCRIPTION

FIG. 1 is a bottom perspective view of an area light fixture, showing our new design;
FIG. 2 is a top perspective view thereof;
FIG. 3 is a top plan view thereof;
FIG. 4 is a bottom plan view thereof;
FIG. 5 is a front elevation view thereof;
FIG. 6 is a rear elevation view thereof;
FIG. 7 is a right side elevation view thereof; and,
FIG. 8 is a left side elevation view thereof.
The broken lines shown on the drawings depict portions of the light fixture that form no part of the claimed design.
The dash-dot-dash lines define the bounds of the claimed design and form no part thereof.

1 Claim, 6 Drawing Sheets



(56)

References Cited

U.S. PATENT DOCUMENTS

2010/0085751 A1* 4/2010 Shaner F21K 9/00
362/249.02
2013/0188371 A1 7/2013 Ham
2014/0168932 A1 6/2014 Boomgaarden
2015/0345772 A1* 12/2015 Duckworth F21V 29/76
362/373
2016/0281967 A1* 9/2016 Hunt, III F21V 21/116

OTHER PUBLICATIONS

“OSQ Series: LED Area Light. Installation Instruction”. CREE. p.
1-3. May 28, 2014. www.cree.com/lighting.
Lithonia Lighting; Universal Mounting Bracket; Brochure, Oct.
2013.
Kim Lighting; Altitude Installation Instructions, Hubbell Lighting,
Jul. 18, 2014.

* cited by examiner

FIG. 1

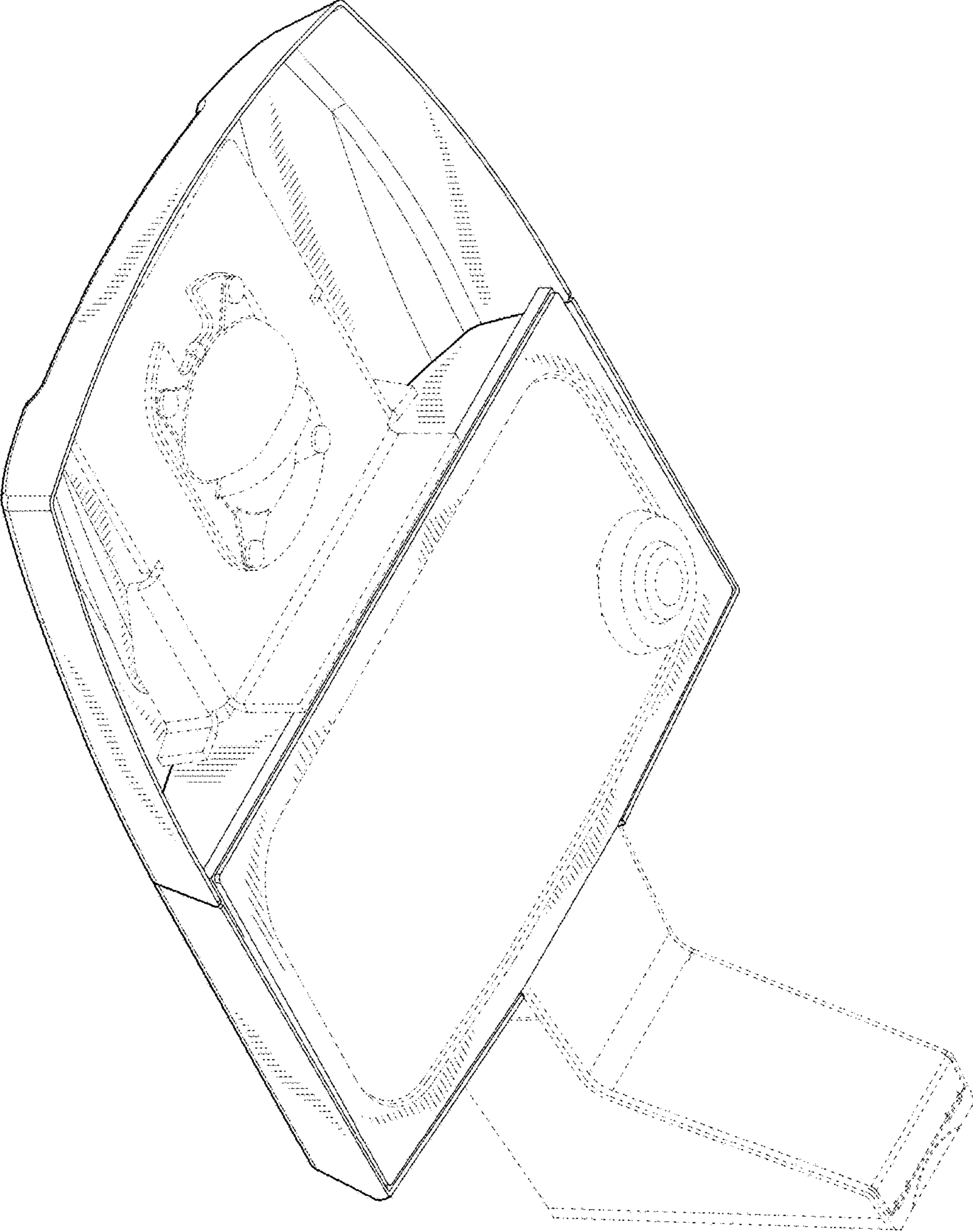


FIG. 2

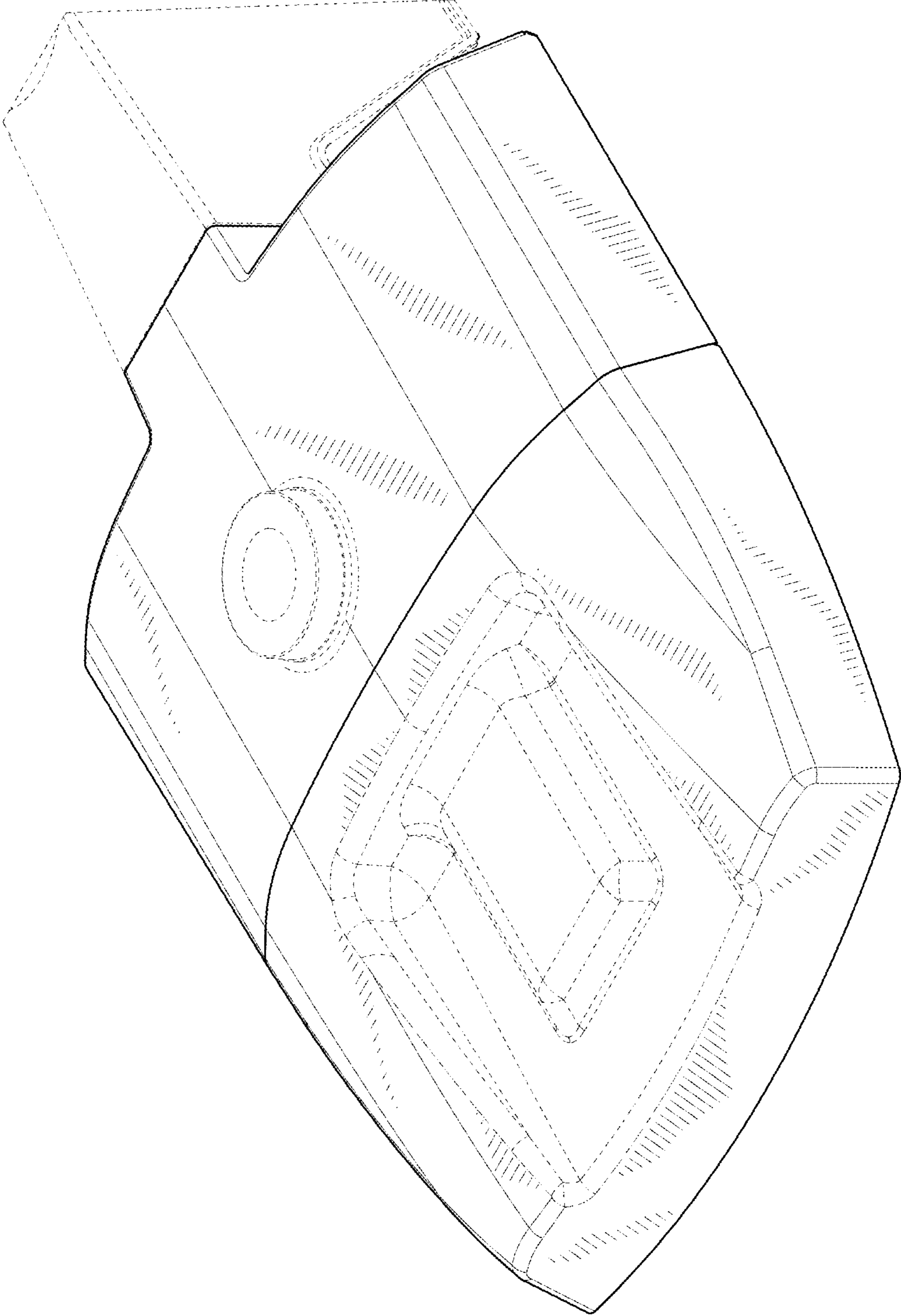


FIG. 3

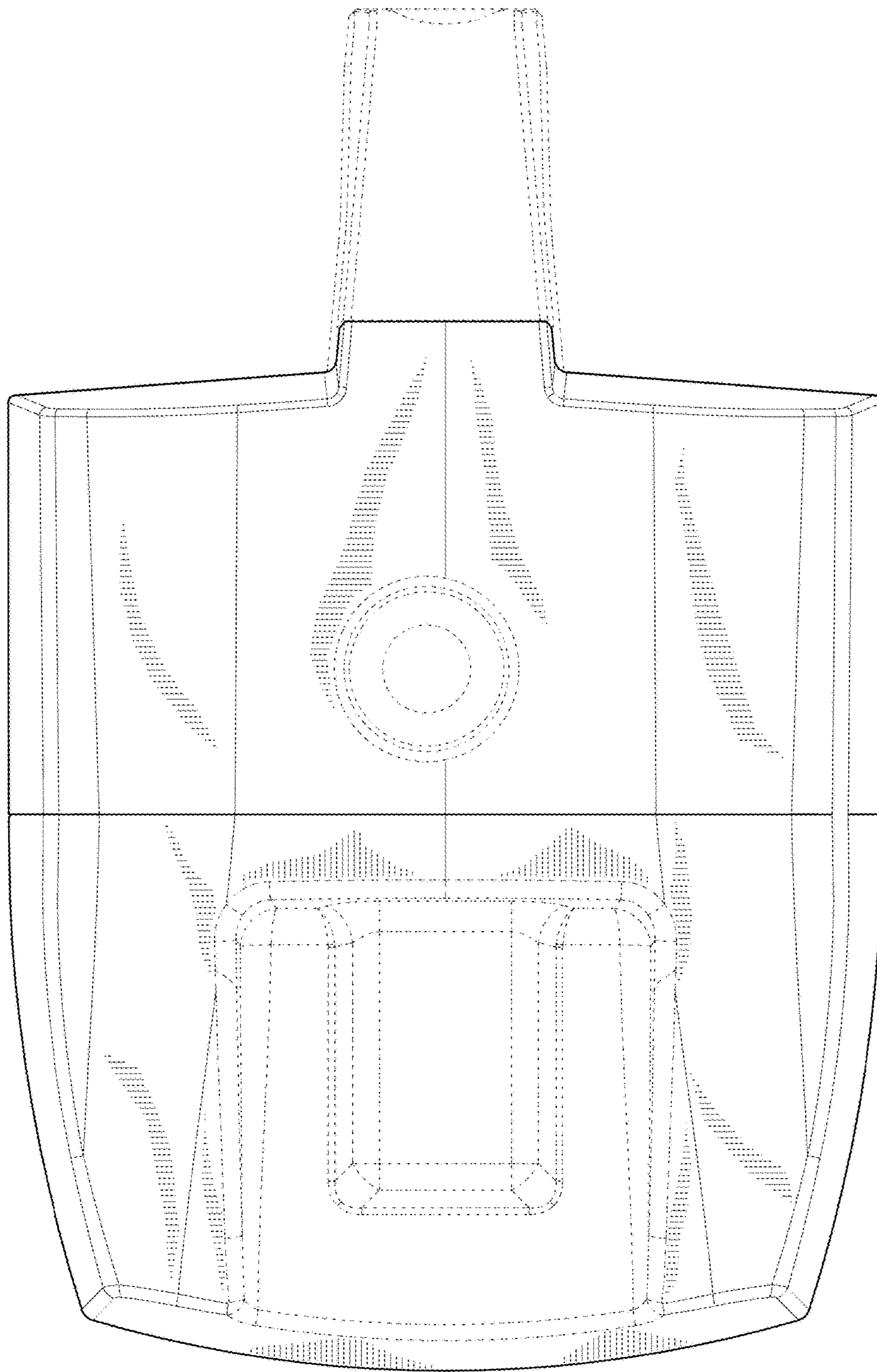


FIG. 4

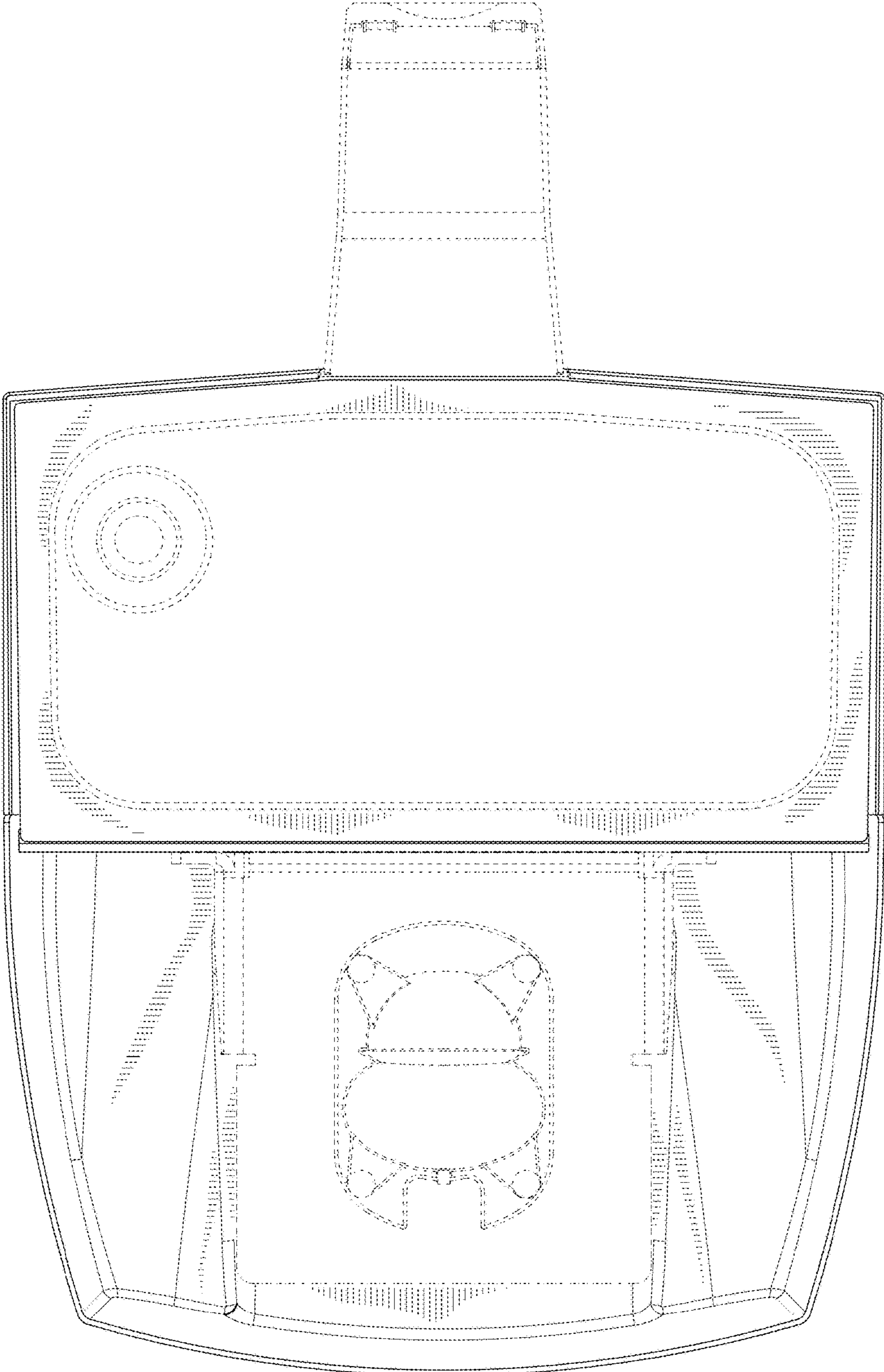


FIG. 5

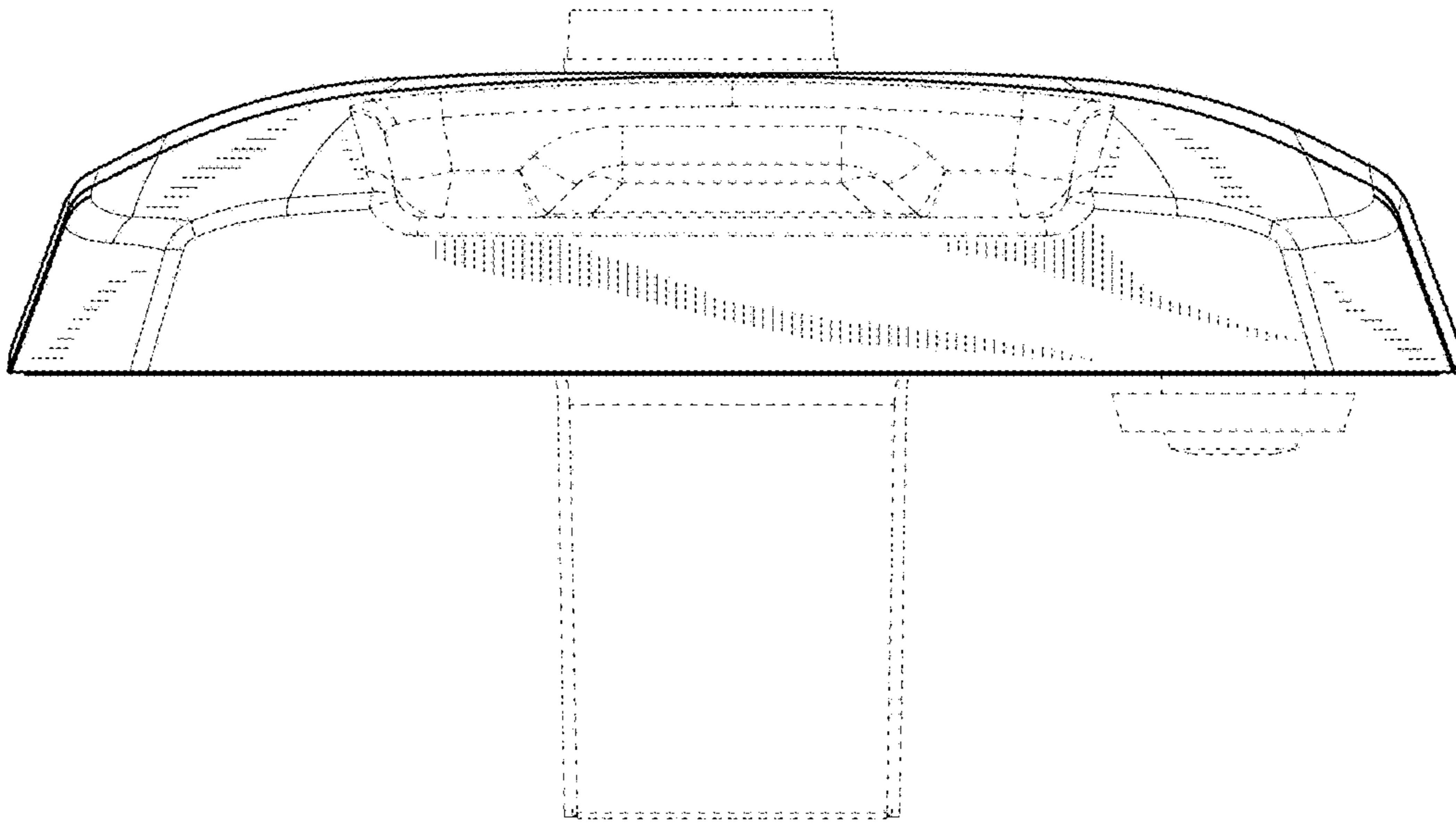


FIG. 6

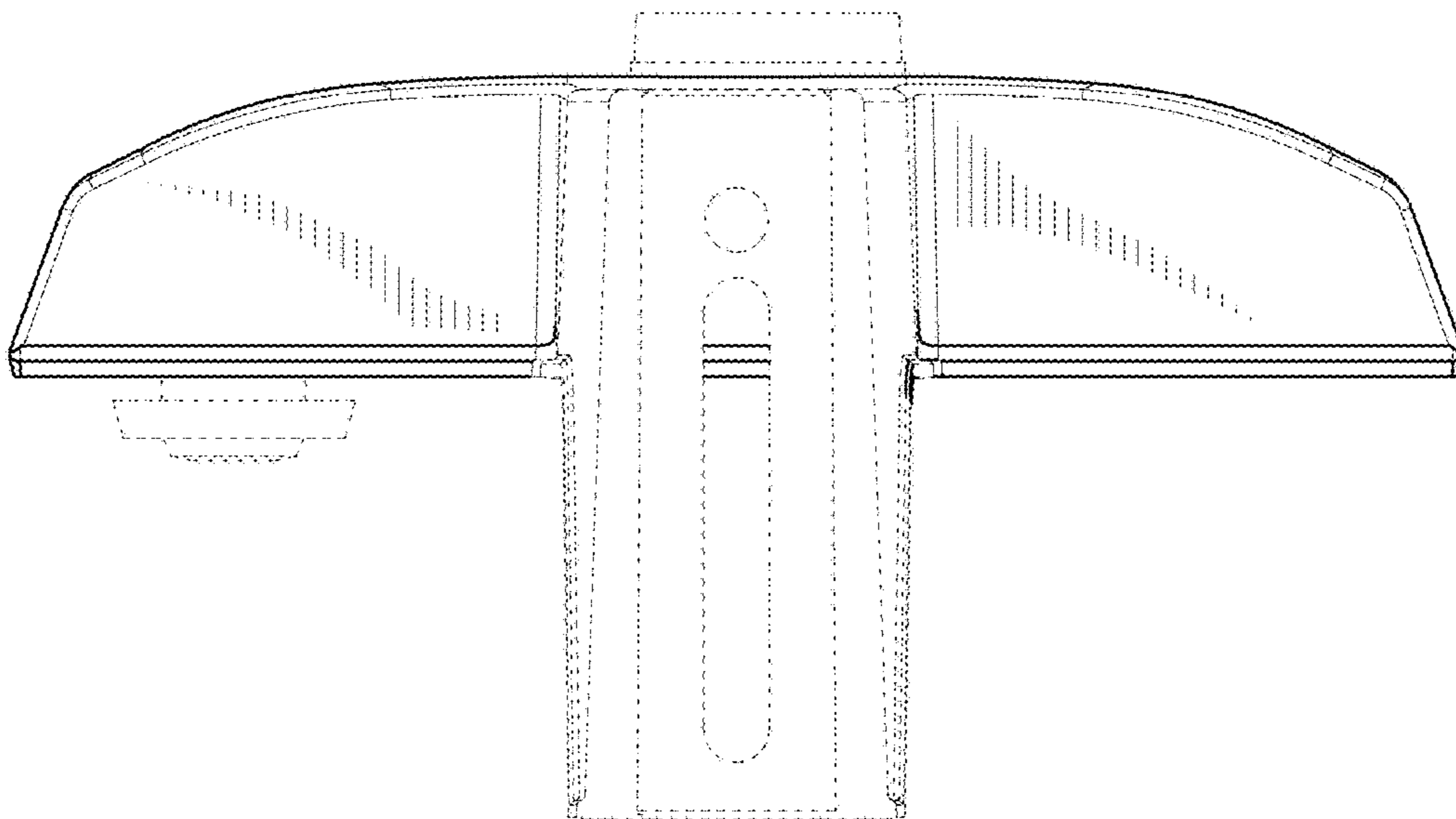


FIG. 7

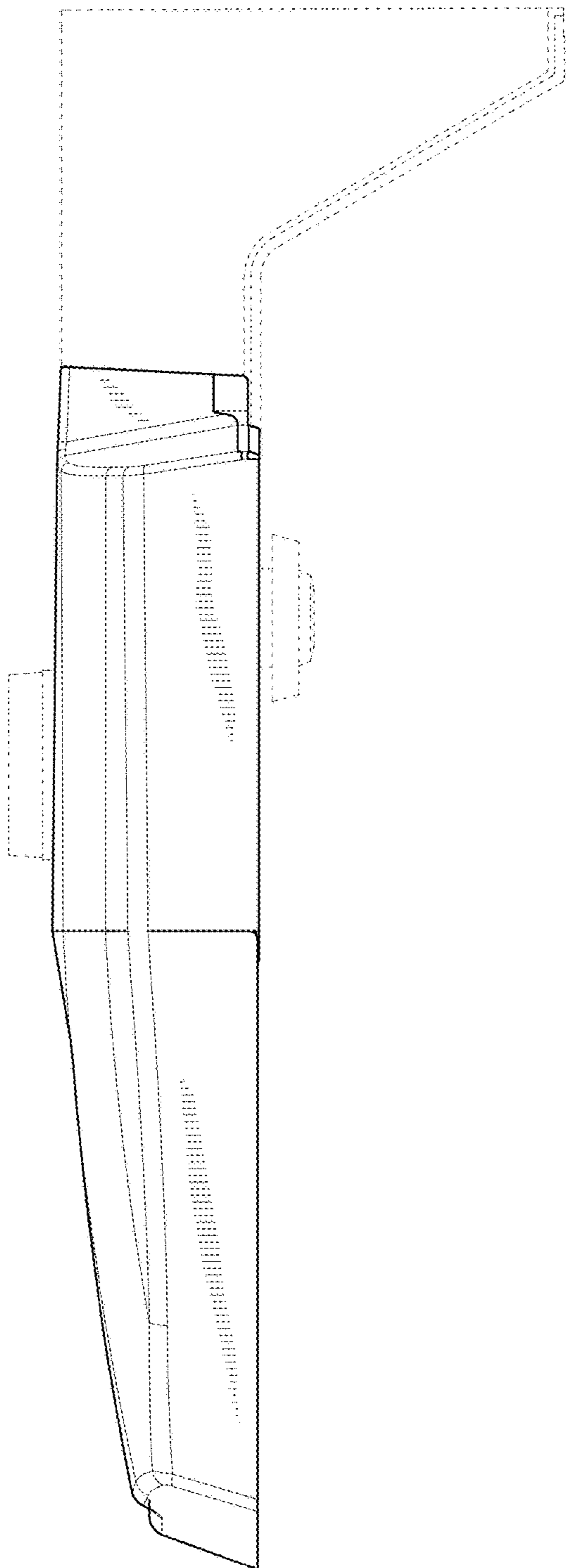


FIG. 8

