



US00D793599S

(12) **United States Design Patent** (10) **Patent No.:** **US D793,599 S**  
**Brynjolfsson** (45) **Date of Patent:** **\*\* Aug. 1, 2017**

- (54) **LANDSCAPE ACCENT LIGHT**
- (71) Applicant: **Alan Leif Brynjolfsson**, Tampa, FL (US)
- (72) Inventor: **Alan Leif Brynjolfsson**, Tampa, FL (US)
- (\*\*) Term: **15 Years**
- (21) Appl. No.: **29/562,522**
- (22) Filed: **Apr. 26, 2016**
- (51) **LOC (10) Cl.** ..... **26-03**
- (52) **U.S. Cl.**  
USPC ..... **D26/63**
- (58) **Field of Classification Search**  
USPC ..... D26/1, 24, 61, 63, 65, 85, 92  
CPC ..... F21V 21/14; F21V 15/01; F21V 14/02;  
F21V 21/30; F21V 21/00; F21V 14/00;  
F21S 8/00; F21S 8/003; F21S 8/043;  
F21Y 2105/001  
See application file for complete search history.

(56) **References Cited**

**U.S. PATENT DOCUMENTS**

|              |         |                 |        |
|--------------|---------|-----------------|--------|
| D370,070 S   | 5/1996  | Kay             |        |
| D414,579 S * | 9/1999  | Denison         | D26/63 |
| D417,519 S   | 12/1999 | Cutler          |        |
| D427,696 S   | 7/2000  | Scott et al.    |        |
| D435,925 S   | 1/2001  | Hiller et al.   |        |
| D507,668 S   | 7/2005  | Kwong           |        |
| D542,959 S * | 5/2007  | Yao             | D26/63 |
| D559,091 S * | 1/2008  | Skorka          | D8/367 |
| D574,532 S * | 8/2008  | Lee             | D26/63 |
| D590,979 S   | 4/2009  | Mullen          |        |
| D625,871 S * | 10/2010 | Huang           | D26/63 |
| D659,871 S * | 5/2012  | Lee             | D26/63 |
| D667,981 S   | 9/2012  | Connolly et al. |        |
| D698,477 S   | 1/2014  | Korpi           |        |

|              |         |              |        |
|--------------|---------|--------------|--------|
| D723,726 S   | 3/2015  | Reed et al.  |        |
| D748,838 S   | 2/2016  | Brynjolfsson |        |
| D773,707 S * | 12/2016 | Lentine      | D26/63 |

**OTHER PUBLICATIONS**

VOLT "Product Specifications: VOLT Low Voltage Lighting Infiniti G3 Integrated LED Directional Lights VAL-20xx-Axx Series," Copyright 2015, all enclosed pages cited.

\* cited by examiner

*Primary Examiner* — Brian N Vinson

(74) *Attorney, Agent, or Firm* — Nelson Mullins Riley & Scarborough, LLP

(57) **CLAIM**

The ornamental design of a landscape accent light, substantially as shown and described.

**DESCRIPTION**

FIG. 1 is a front perspective view of a landscape accent light embodying the design of the present invention.

FIG. 2 is a rear perspective view of the landscape accent light illustrated in FIG. 1.

FIG. 3 is a front side elevational view of the landscape accent light illustrated in FIG. 1.

FIG. 4 is a back side elevational view of the landscape accent light illustrated in FIG. 1.

FIG. 5 is a left side elevational view of the landscape accent light illustrated in FIG. 1.

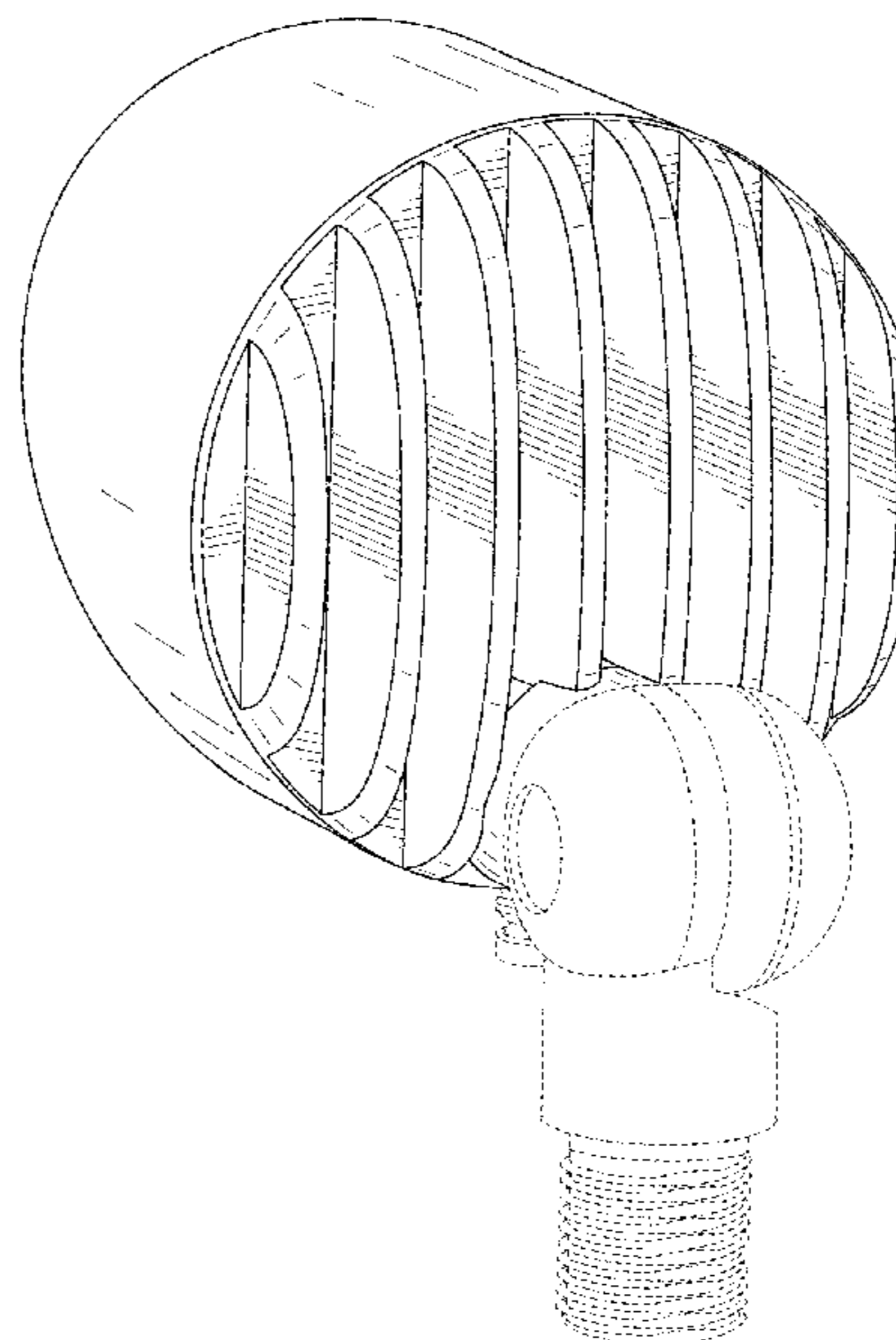
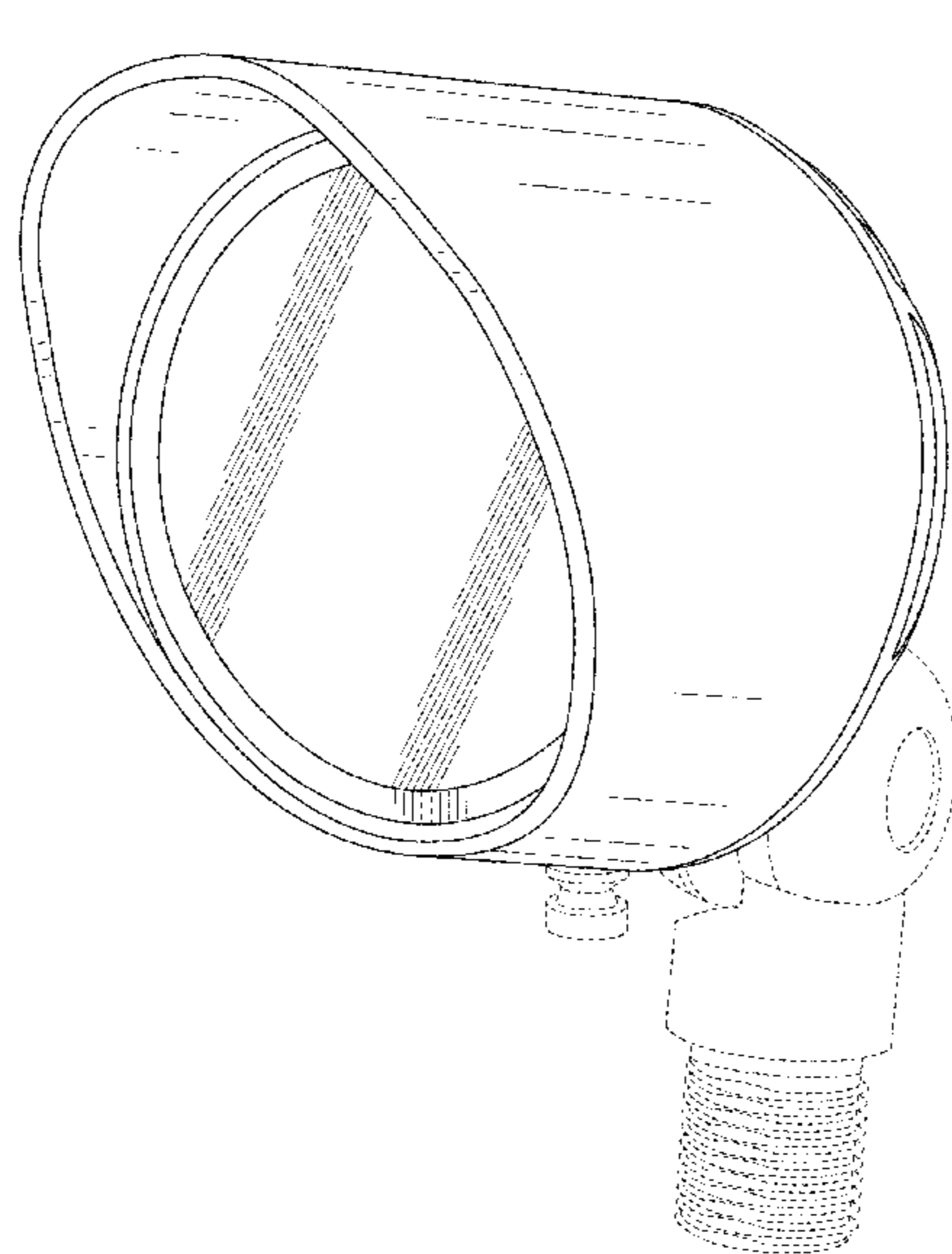
FIG. 6 is a right side elevational view of the landscape accent light illustrated in FIG. 1.

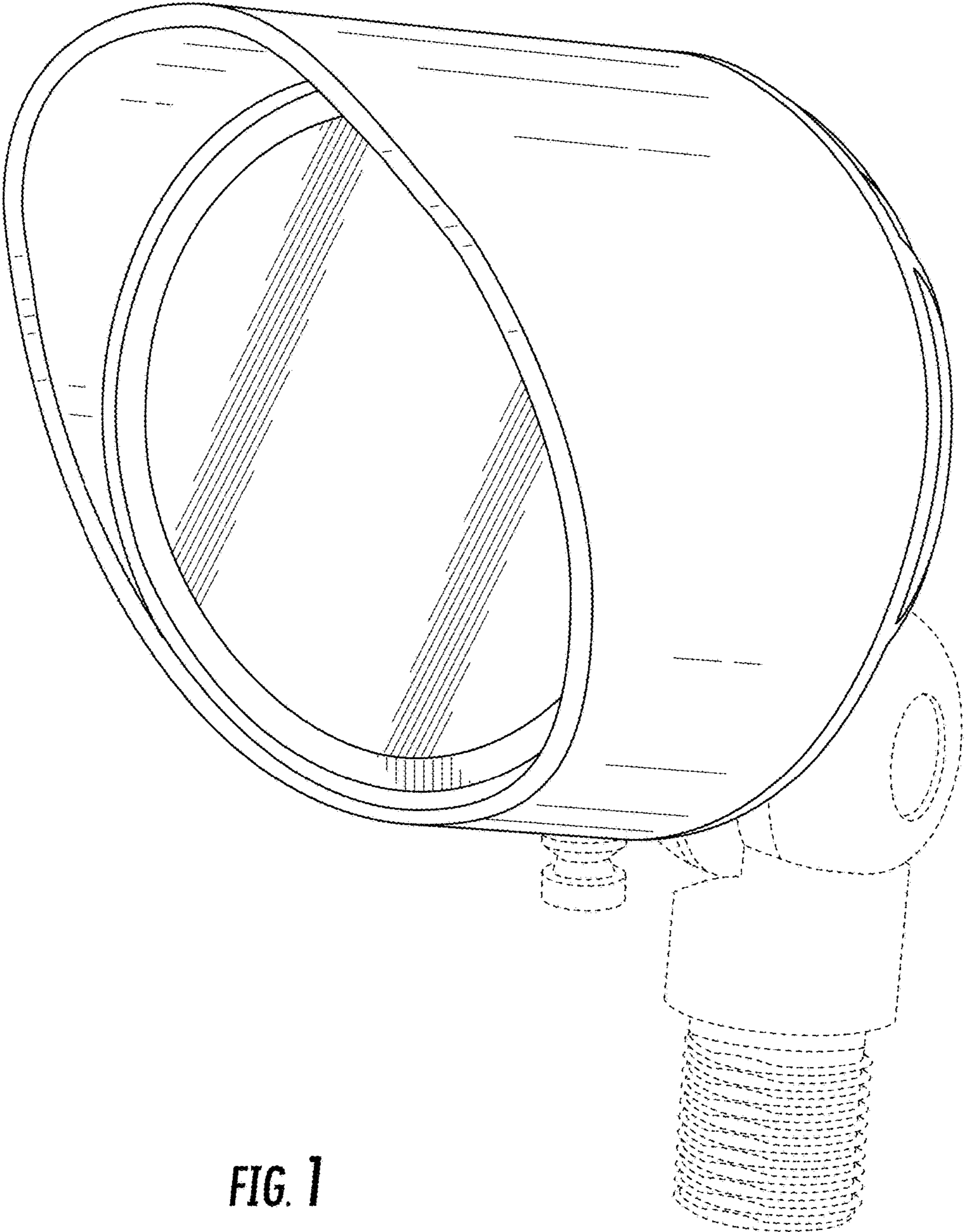
FIG. 7 is a top view of the landscape accent light illustrated in FIG. 1; and,

FIG. 8 is a bottom view of the landscape accent light illustrated in FIG. 1.

The portions shown in broken lines form no part of the claimed design.

**1 Claim, 8 Drawing Sheets**





**FIG. 1**

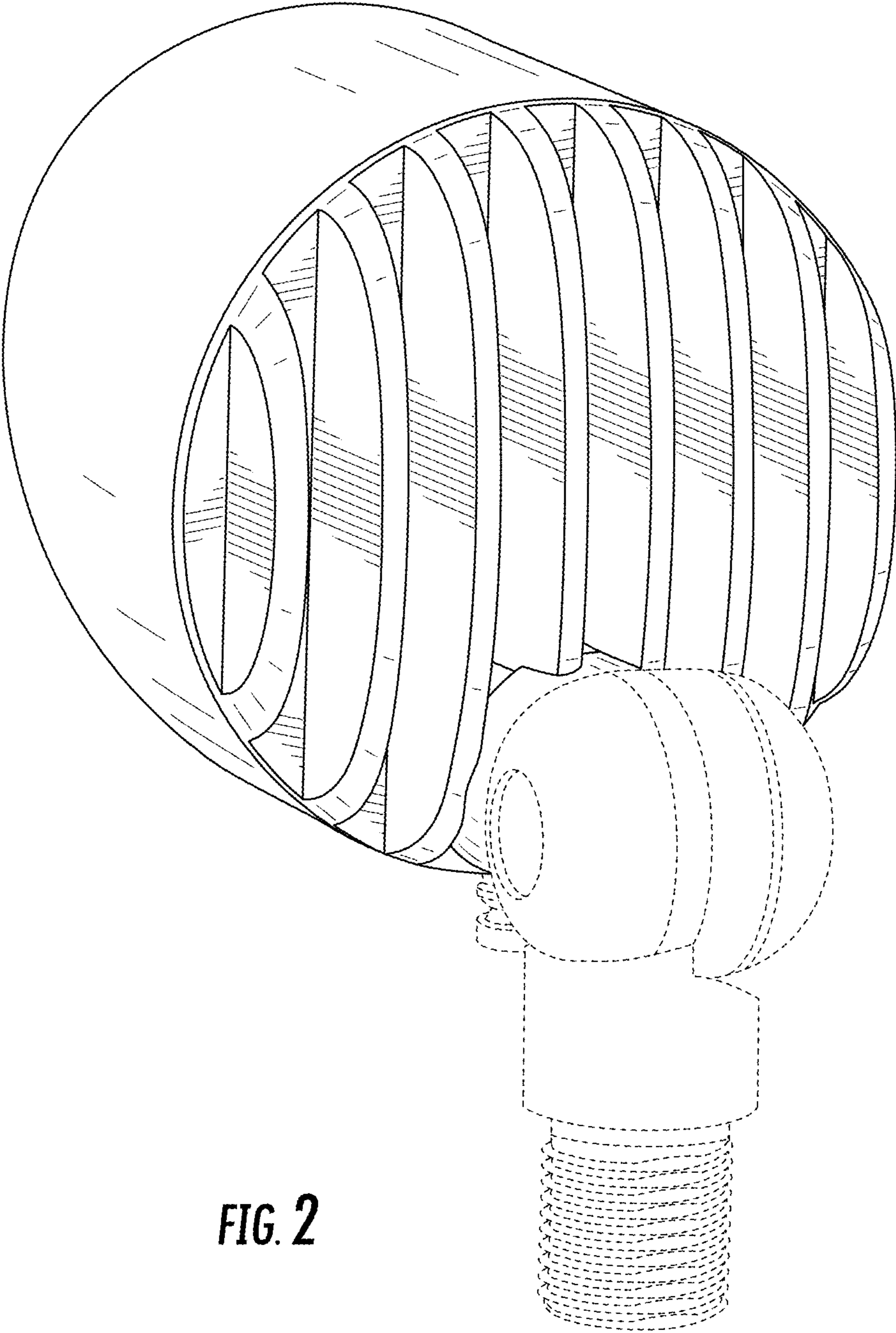
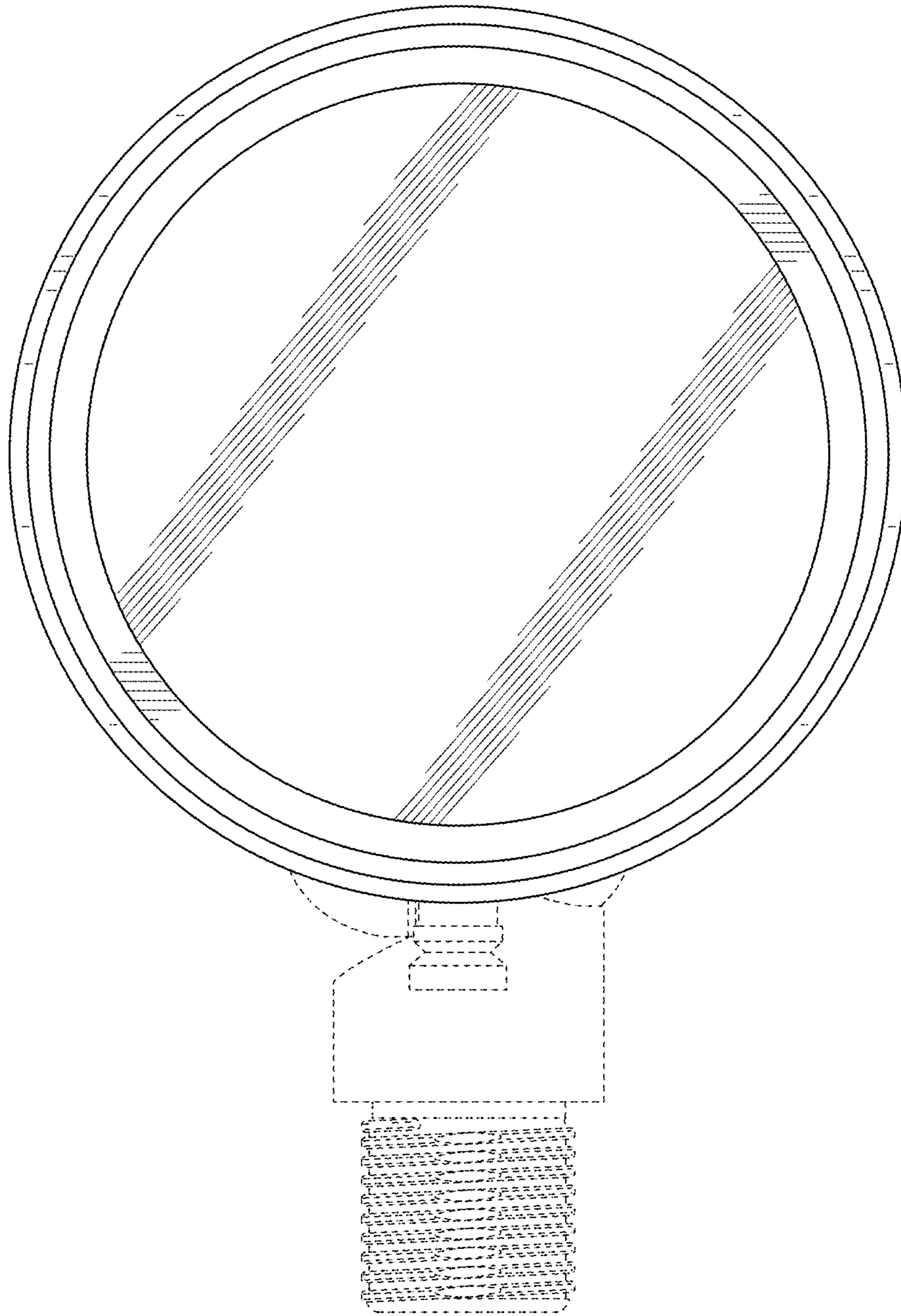
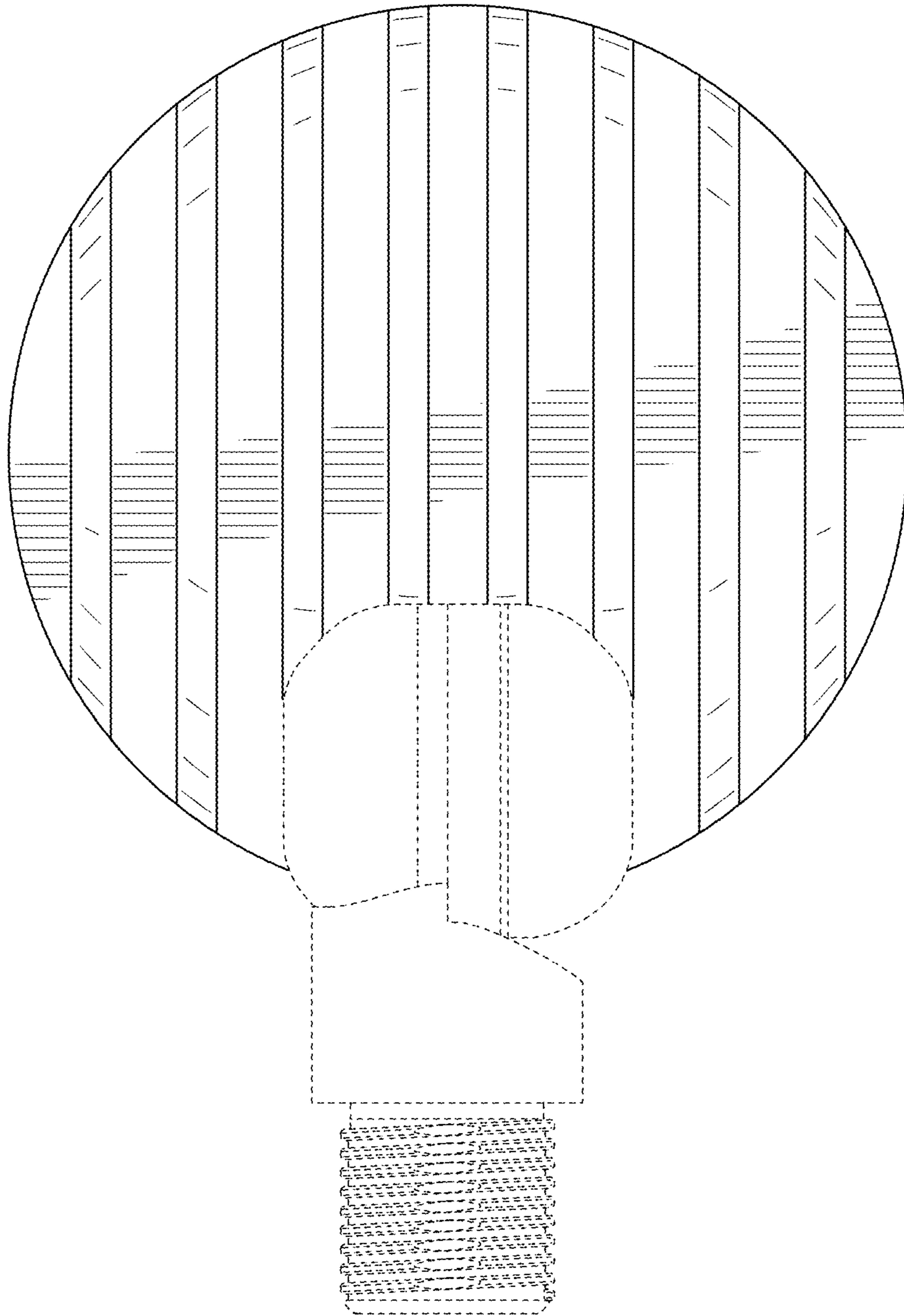


FIG. 2



**FIG. 3**



**FIG. 4**

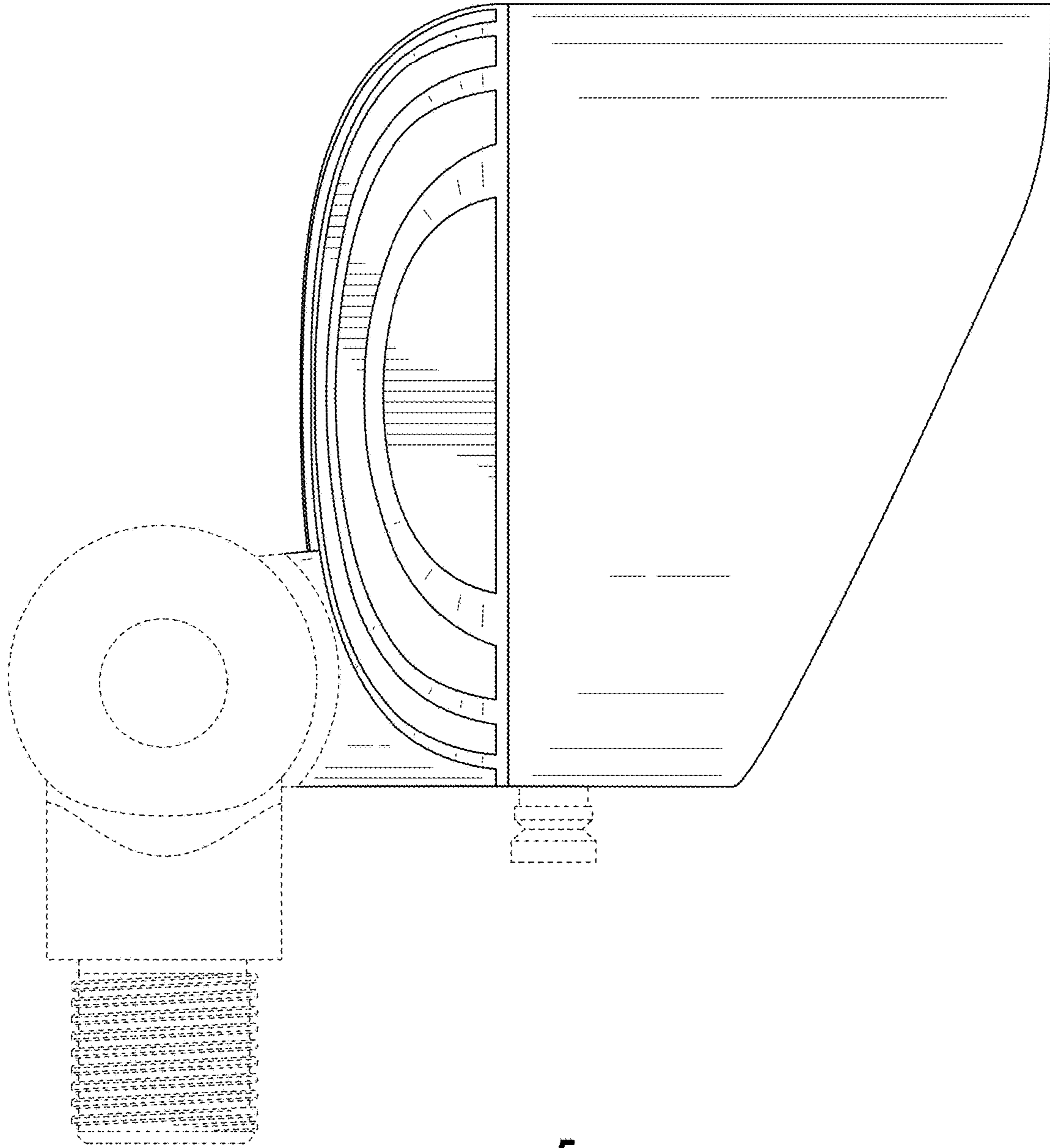


FIG. 5

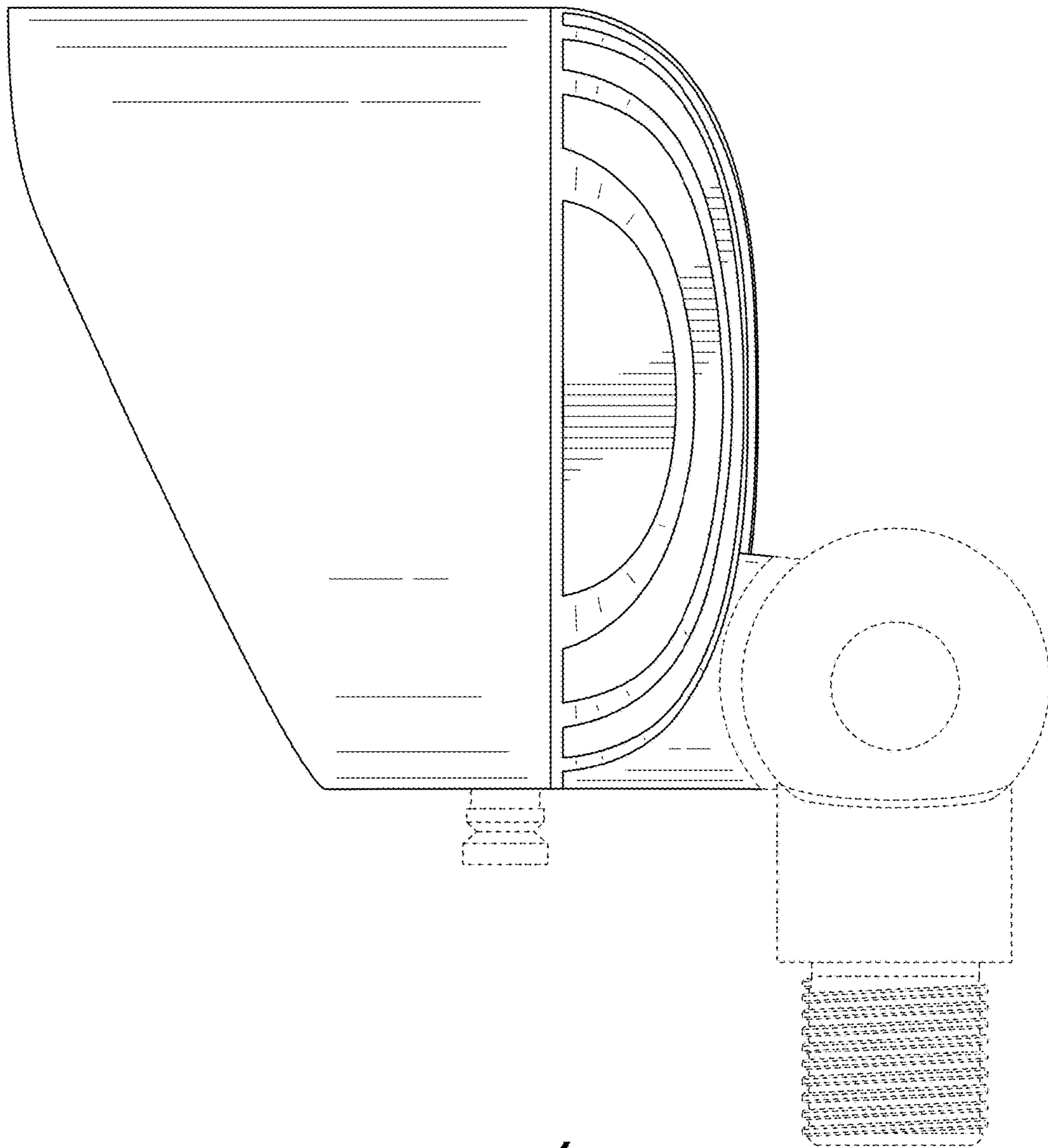
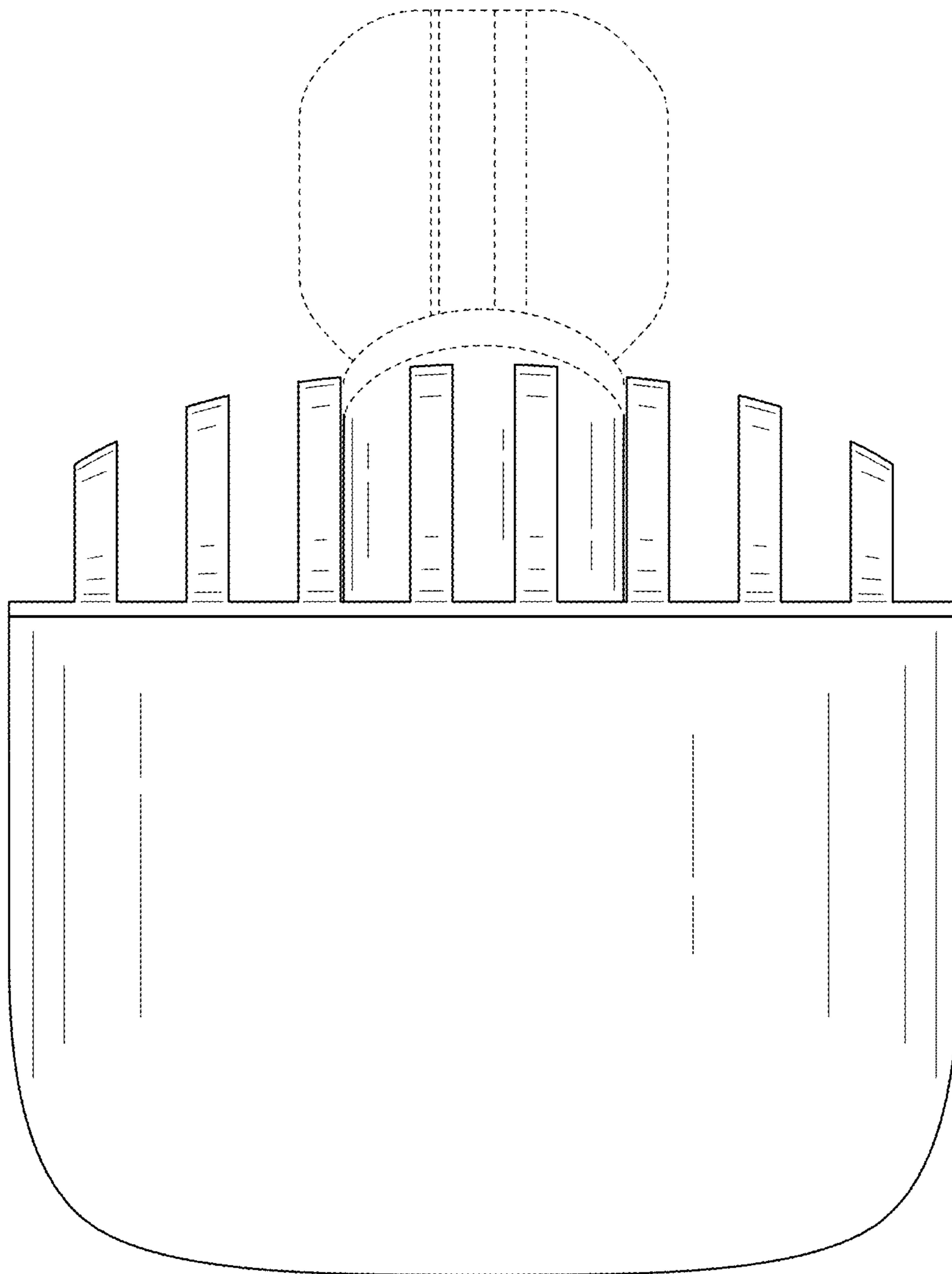
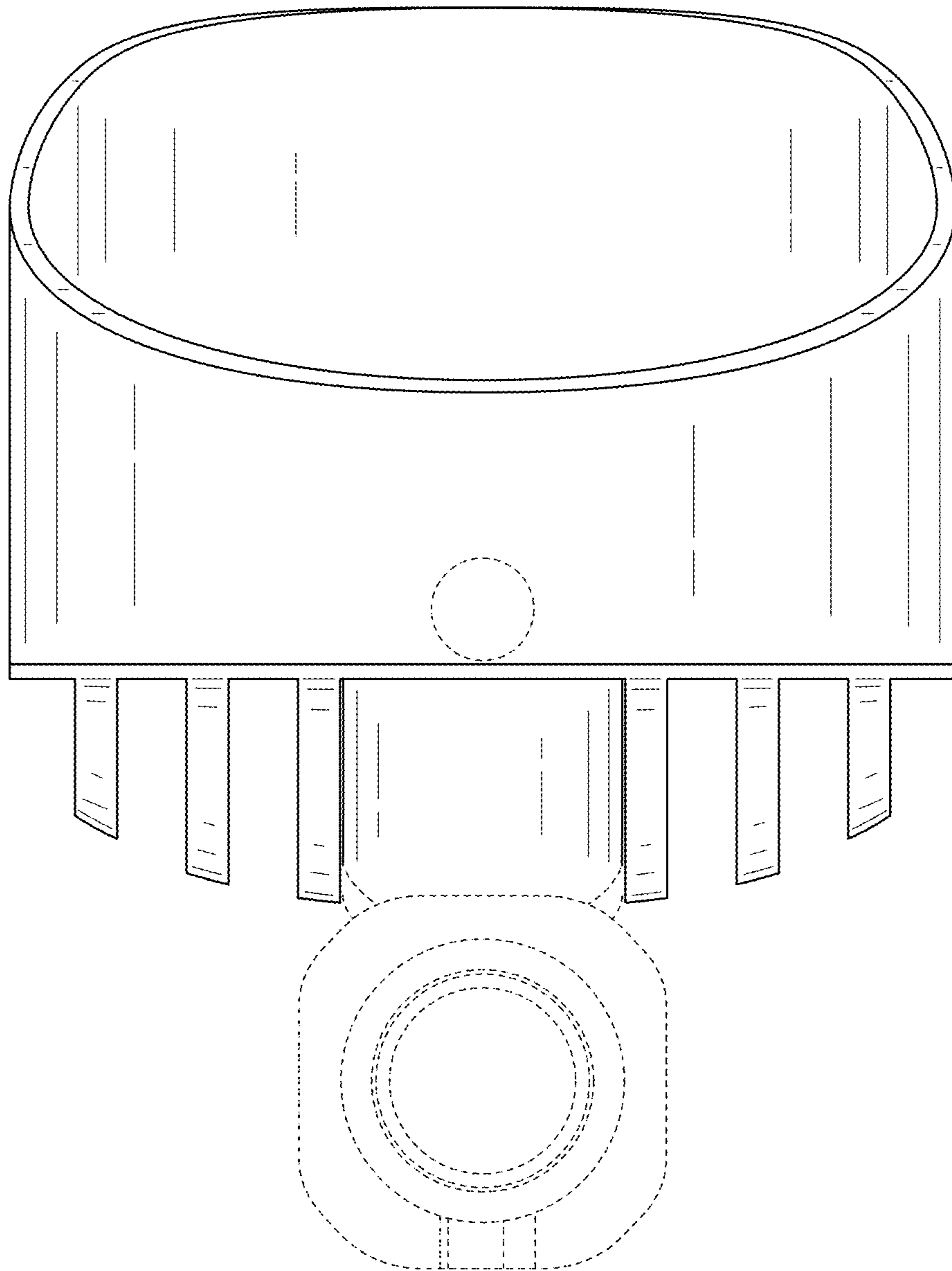


FIG. 6



**FIG. 7**





**FIG. 8**