



US00D793598S

(12) **United States Design Patent**
Mendini et al.

(10) **Patent No.:** **US D793,598 S**
(45) **Date of Patent:** **** Aug. 1, 2017**

(54) **ELECTRIC LAMP**

(71) Applicant: **Sang Min Chung**, Seoul (KR)

(72) Inventors: **Alessandro Mendini**, Milan (IT); **Sang Min Chung**, Seoul (KR)

(73) Assignee: **Sang Min Chung** (KR)

(**) Term: **15 Years**

(21) Appl. No.: **29/560,449**

(22) Filed: **Apr. 6, 2016**

(30) **Foreign Application Priority Data**

Oct. 8, 2015 (KR) 30-2015-0050824

(51) **LOC (10) Cl.** **26-03**

(52) **U.S. Cl.**
USPC **D26/63**

(58) **Field of Classification Search**
USPC D26/24, 93, 102, 104, 106, 107, 63
CPC F21S 6/00; F21S 6/002; F21S 8/036; F21S 8/08; F21V 21/00; F21V 21/02; F21V 21/06; F21V 21/116; F21W 2131/30; A41G 1/005

See application file for complete search history.

(56) **References Cited**

U.S. PATENT DOCUMENTS

D195,310 S * 5/1963 Zagel D26/63
3,906,215 A * 9/1975 Dinicola A41G 1/005
362/122
D598,156 S * 8/2009 Xiao D26/69
D624,689 S * 9/2010 Kao D26/102

* cited by examiner

Primary Examiner — Brian N Vinson

(74) *Attorney, Agent, or Firm* — Fitch Even Tabin & Flannery LLP

(57) **CLAIM**

We claim the ornamental design for the electric lamp, as shown and described.

DESCRIPTION

FIG. 1 is a perspective view of the electric lamp showing our new design;

FIG. 2 is a front elevational view thereof;

FIG. 3 is a rear elevational view thereof;

FIG. 4 is a left side elevational view thereof;

FIG. 5 is a right side elevational view thereof;

FIG. 6 is a top plan view thereof;

FIG. 7 is a bottom plan view thereof; and,

FIG. 8 is an additional perspective view showing the branch-like elements rotated to an alternate position.

The broken lines depict environmental subject matter and form no part of the claimed design.

1 Claim, 7 Drawing Sheets

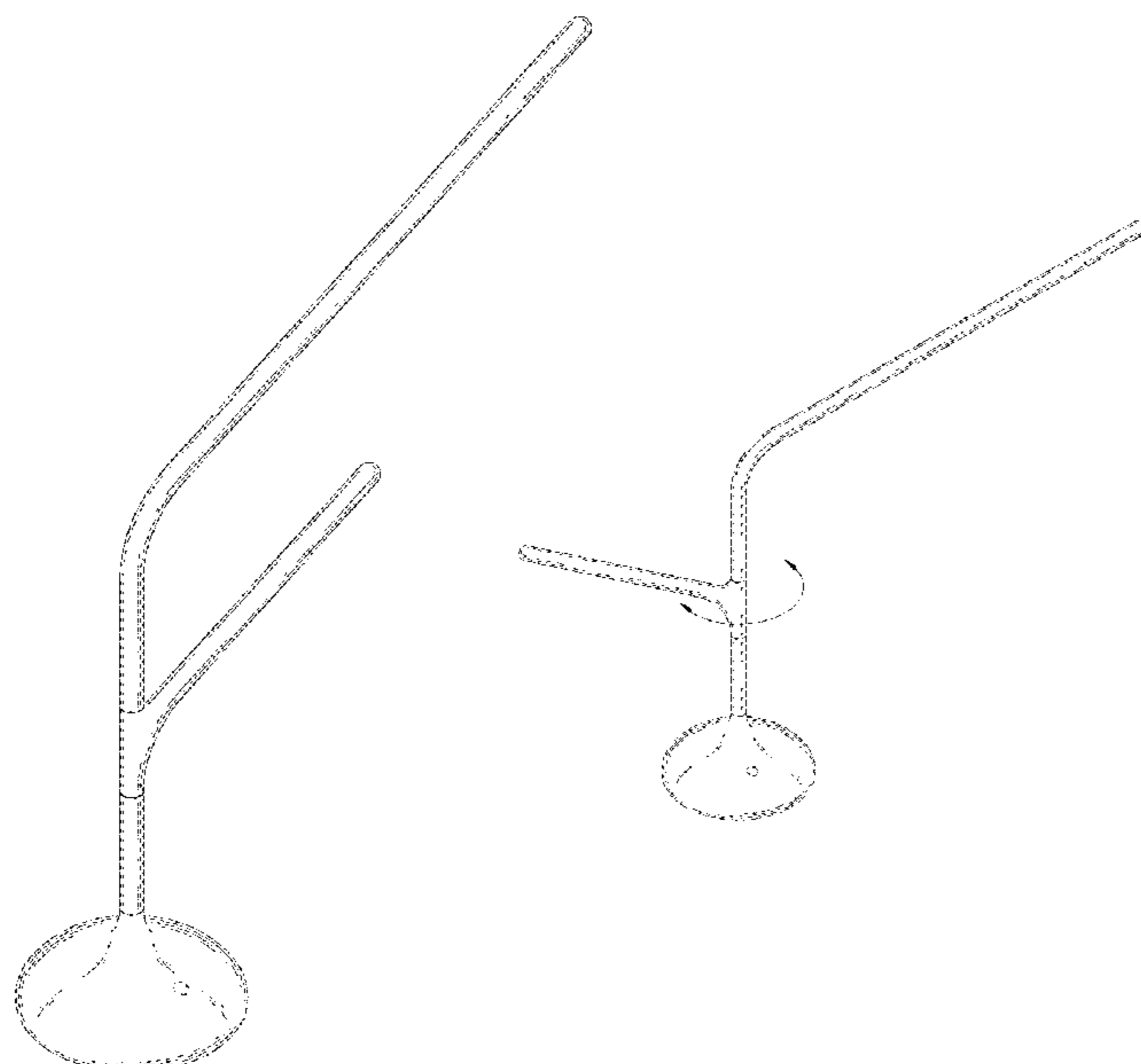


FIG. 1

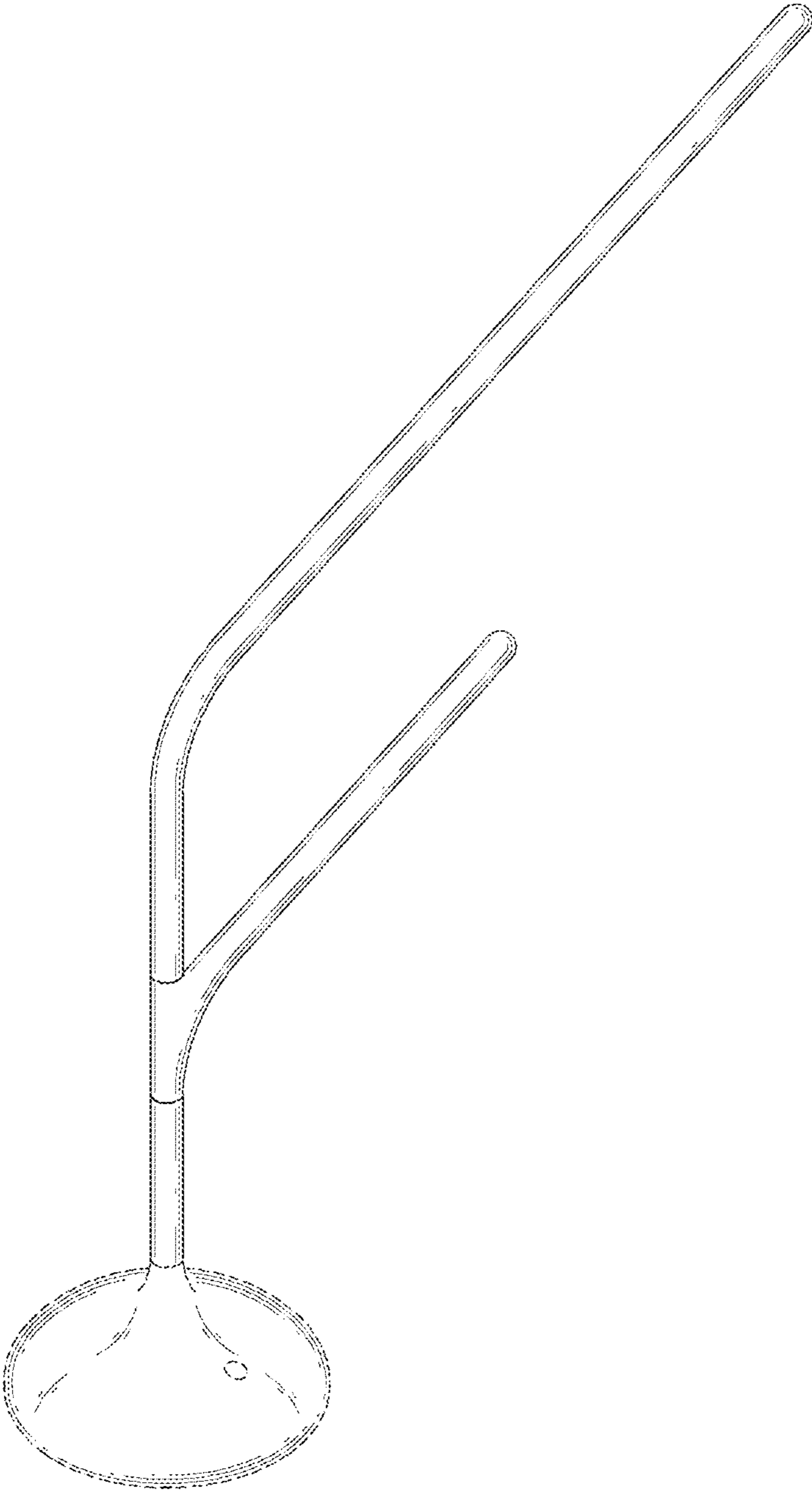


FIG. 2

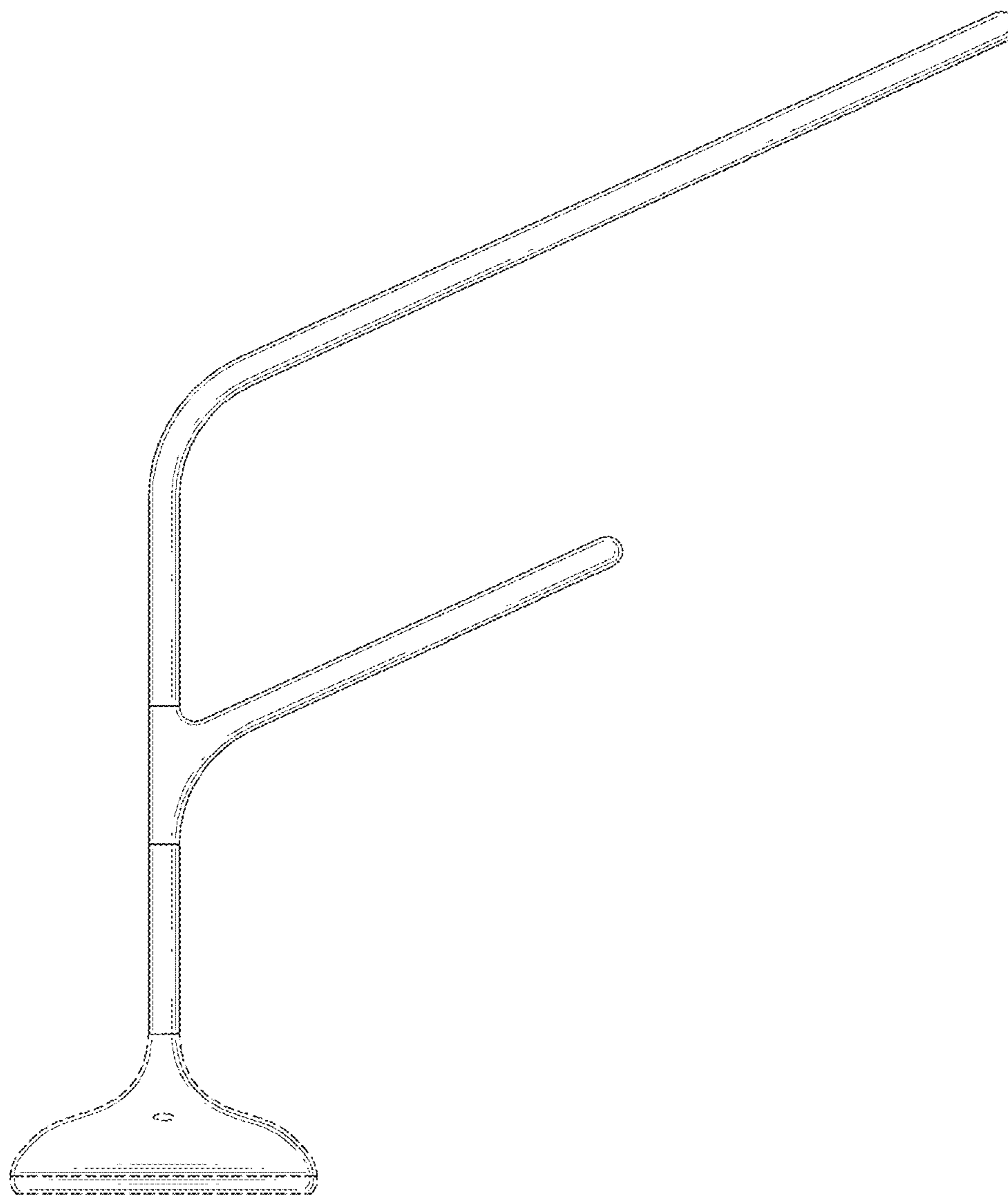


FIG. 3

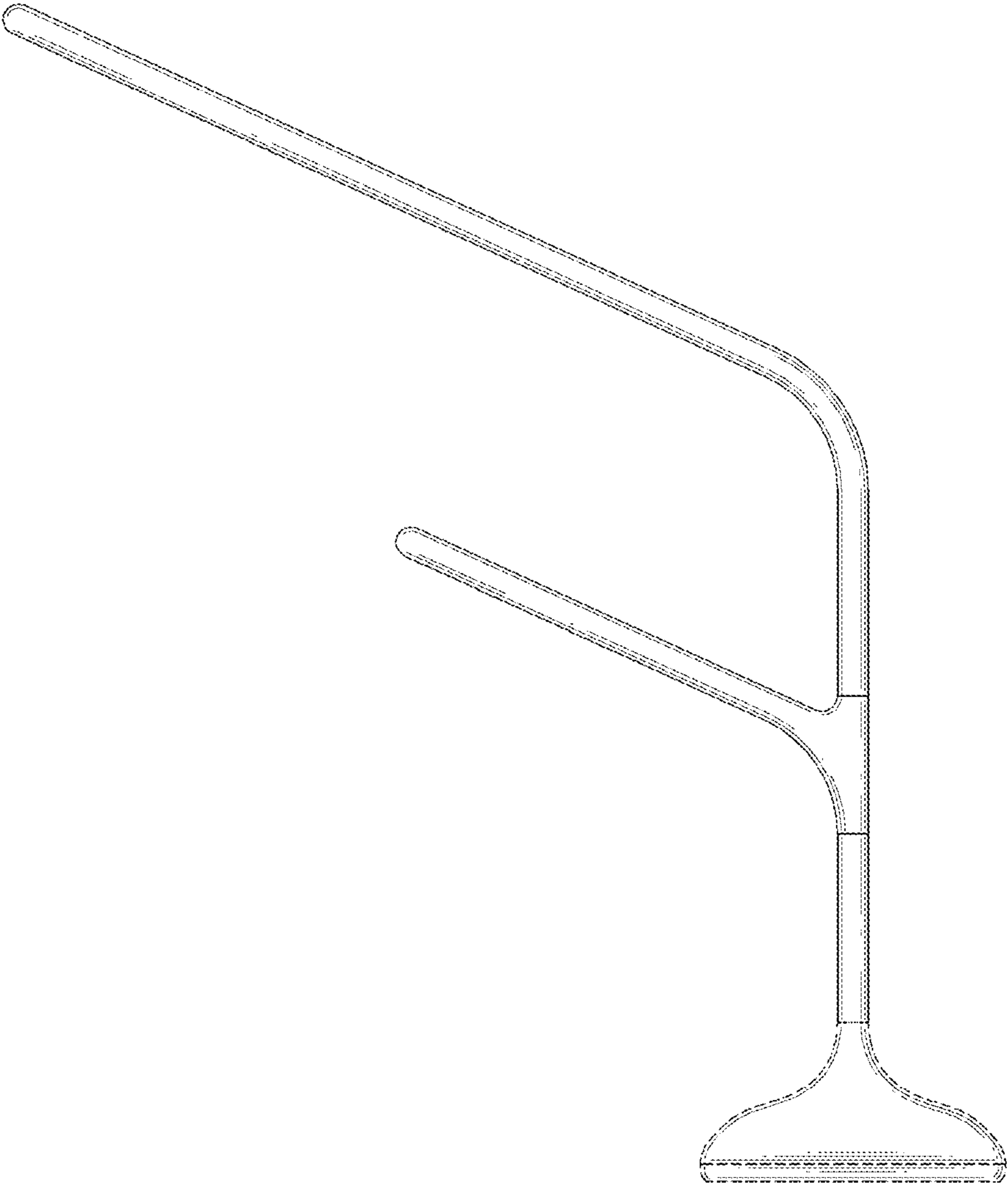


FIG. 4

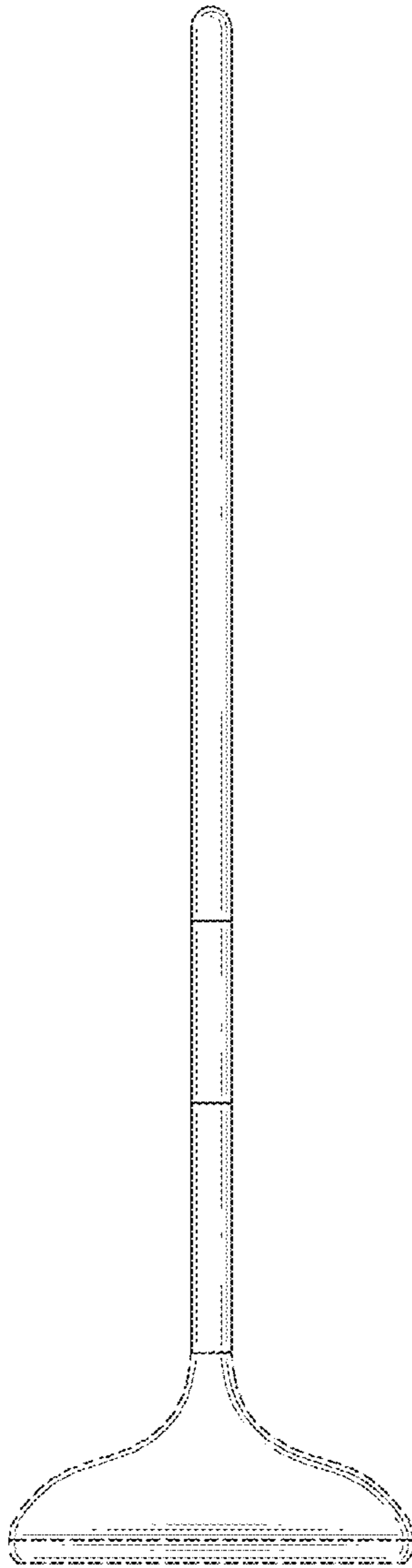


FIG. 5

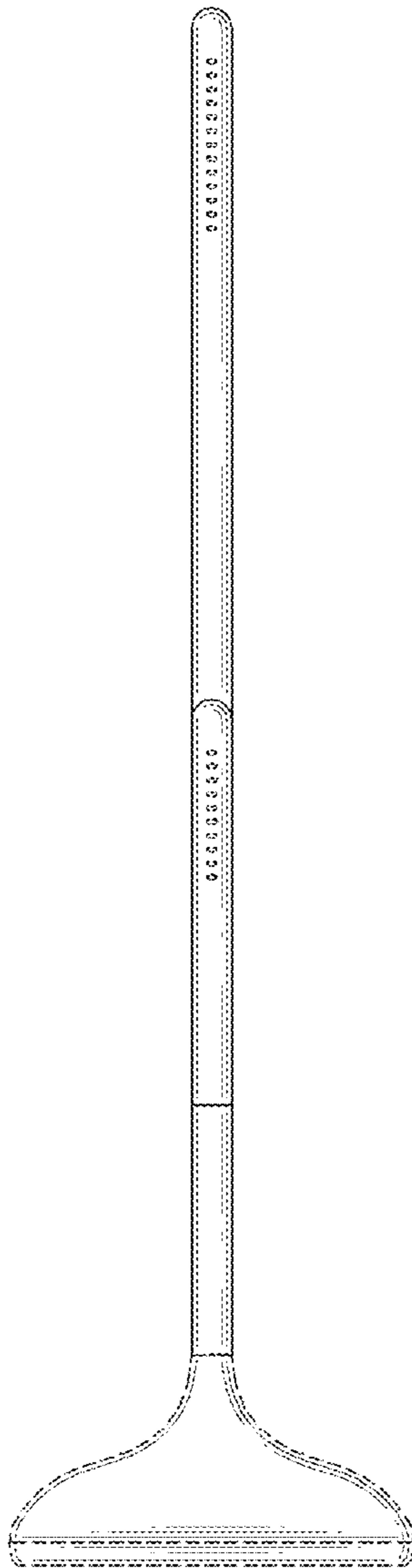


FIG. 6

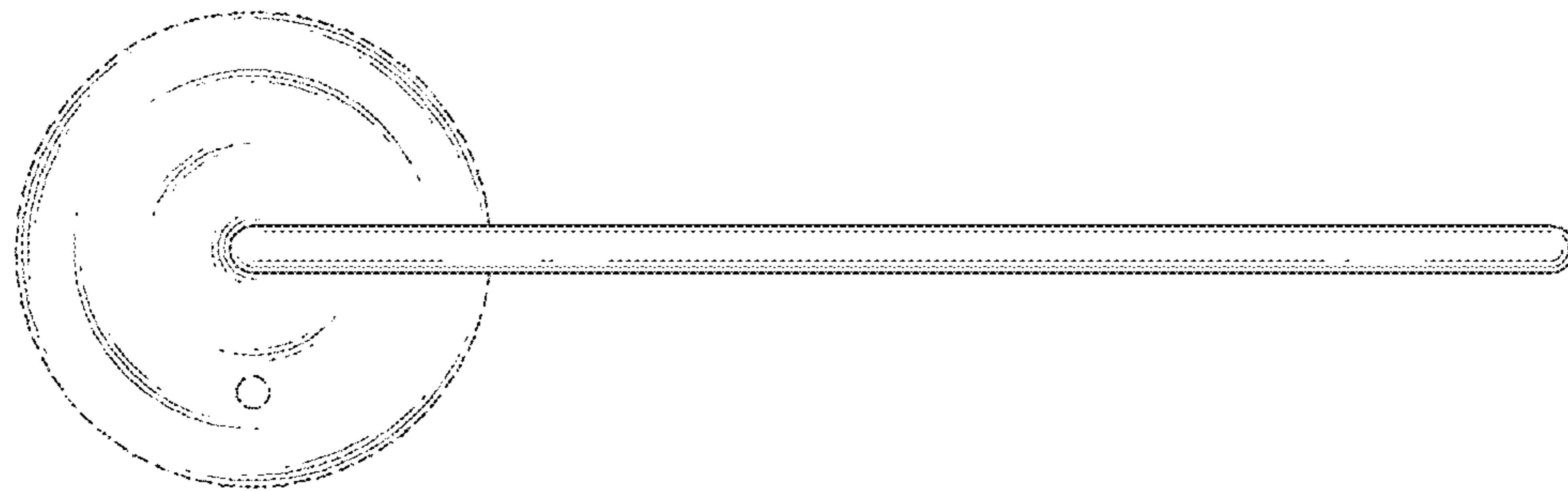


FIG. 7

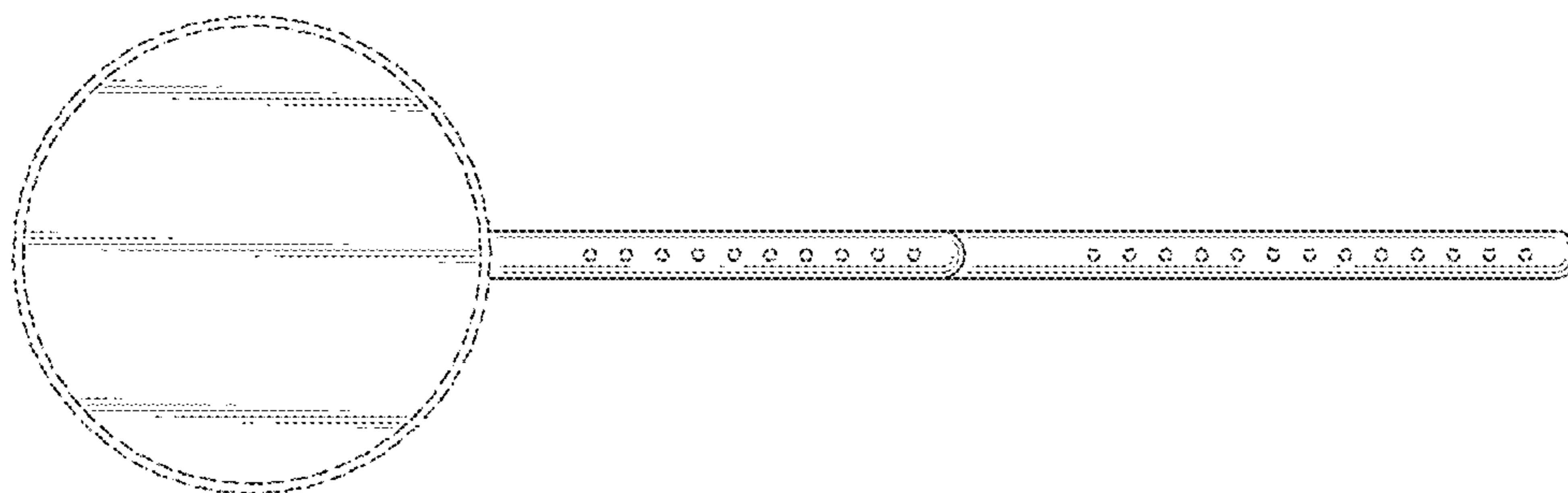


FIG. 8

