



US00D793597S

(12) **United States Design Patent** (10) **Patent No.:** **US D793,597 S**
Feustel et al. (45) **Date of Patent:** **** Aug. 1, 2017**

- (54) **FLASHLIGHT**
- (71) Applicant: **LED Lenser Corp. Ltd., Yangjiang (CN)**
- (72) Inventors: **Stefan Feustel, Berlin (DE); Andre Kunzendorf, Wuppertal (DE)**
- (73) Assignee: **LED Lenser Corp. Ltd., Yangjiang (CN)**
- (**) Term: **14 Years**
- (21) Appl. No.: **29/508,775**
- (22) Filed: **Nov. 11, 2014**
- (51) **LOC (10) Cl.** **26-02**
- (52) **U.S. Cl.**
USPC **D26/49**
- (58) **Field of Classification Search**
USPC D26/38, 37, 49, 46, 51
CPC F21L 2003/00; F21L 4/00; F21L 4/005;
F21L 4/02; F21L 4/025; F21L 4/027;
F21L 4/04; F21L 4/08; F21L 2005/00;
F21L 7/00; F21L 11/00; F21L 13/00;
F21L 13/04; F21L 13/08; F21L 14/02;
F21L 17/00; F21L 19/00
See application file for complete search history.

- (56) **References Cited**
U.S. PATENT DOCUMENTS
D149,230 S * 4/1948 Schlotterbeck D26/46
D544,621 S * 6/2007 Kim D26/37
D549,376 S * 8/2007 Shiu D26/49
D554,281 S * 10/2007 Bushee D26/37
D562,482 S * 2/2008 Larkin D26/49
D621,538 S * 8/2010 Bushee D26/49

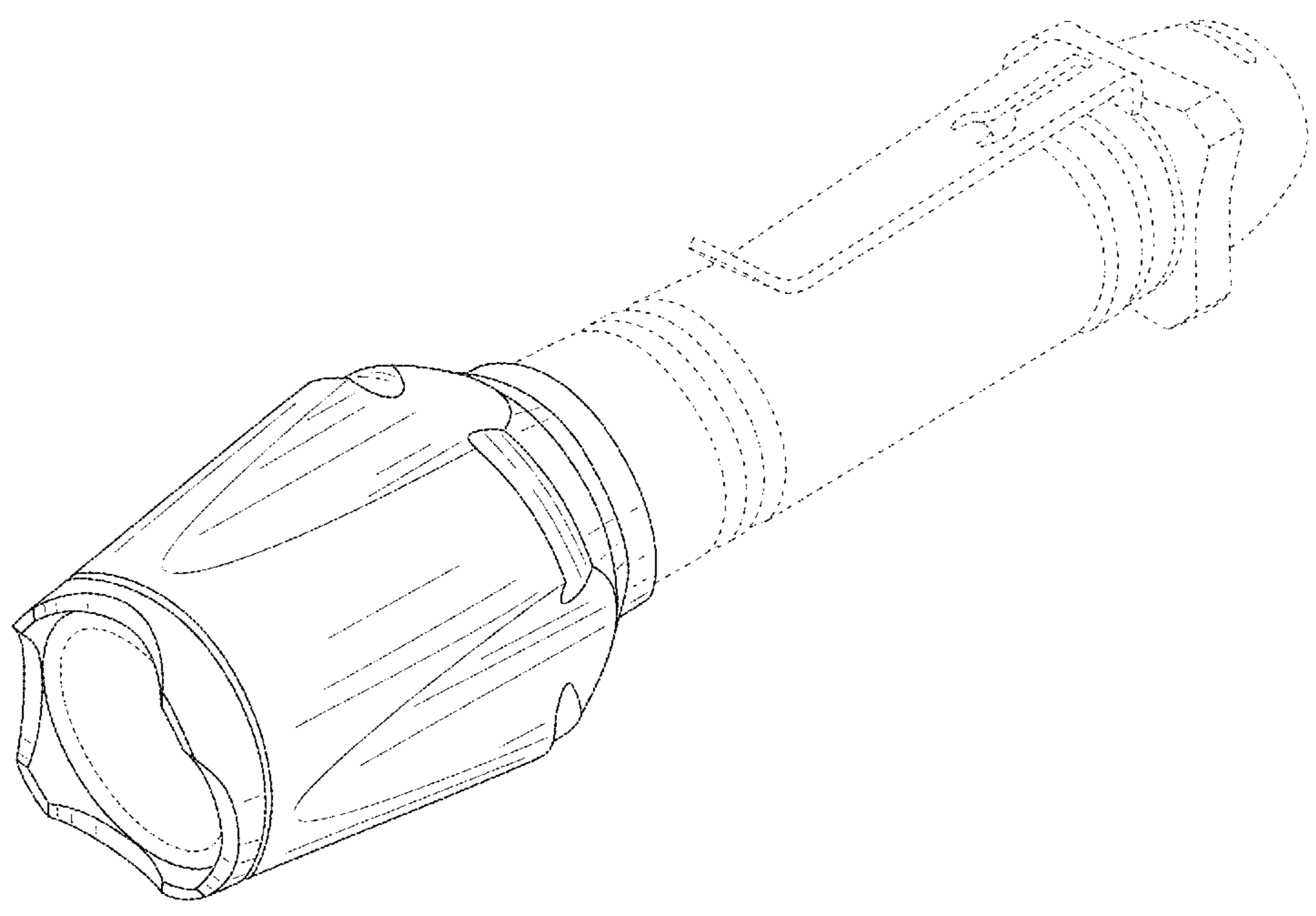
- D627,030 S * 11/2010 Sellers D22/108
- D629,544 S * 12/2010 Deguglimo D26/49
- D629,545 S * 12/2010 Deguglimo D26/49
- D670,015 S * 10/2012 Wu D26/49
- D673,315 S * 12/2012 Milz D26/49
- D687,987 S * 8/2013 Ancona D26/46
- D703,852 S * 4/2014 Kamm D26/49
- D726,358 S * 4/2015 Young D26/40
- D732,721 S * 6/2015 Popper D26/49
- D740,988 S * 10/2015 Robinson D26/49
- D743,600 S * 11/2015 Robinson D26/49
- D747,024 S * 1/2016 Windom D26/49
- D757,319 S * 5/2016 Green D26/49
- D767,186 S * 9/2016 Shiu D26/49
- D767,805 S * 9/2016 Son D26/49
- D769,494 S * 10/2016 Bertken D26/49

* cited by examiner
Primary Examiner — Lakiya Rogers
Assistant Examiner — Carissa C Fitts
(74) *Attorney, Agent, or Firm* — Alston & Bird LLP

(57) **CLAIM**
The ornamental design for a flashlight, as shown and described.

DESCRIPTION
FIG. 1 is a perspective view of a flashlight according to our new design;
FIG. 2 is a top side elevation view thereof;
FIG. 3 is a bottom plan view thereof;
FIG. 4 is a right side elevation view thereof;
FIG. 5 is a left side elevation view thereof;
FIG. 6 is a front elevation view thereof; and,
FIG. 7 is a back elevation view thereof.
The broken lines show portions of the article not claimed and form no part of the claimed design.

1 Claim, 4 Drawing Sheets



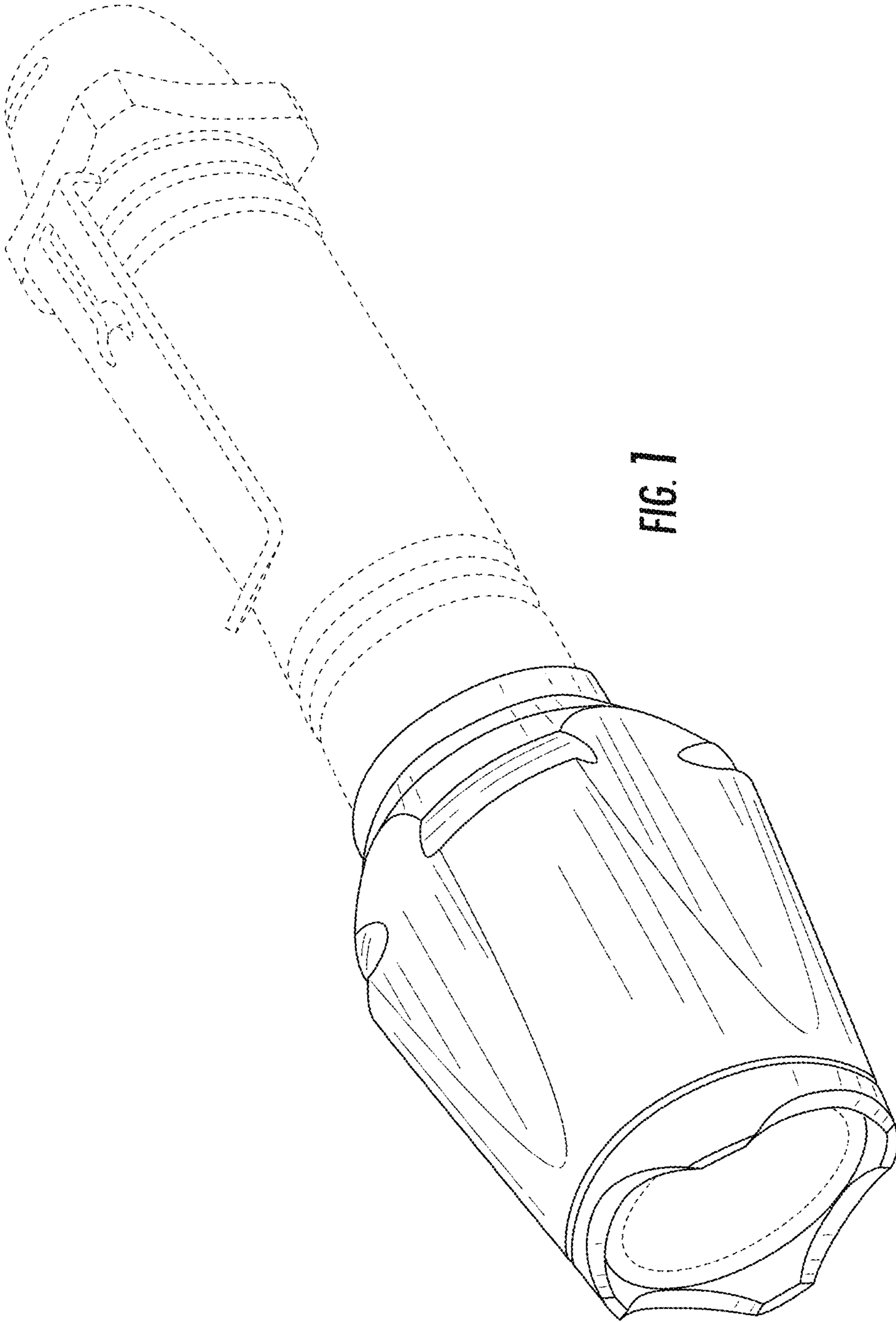


FIG. 1

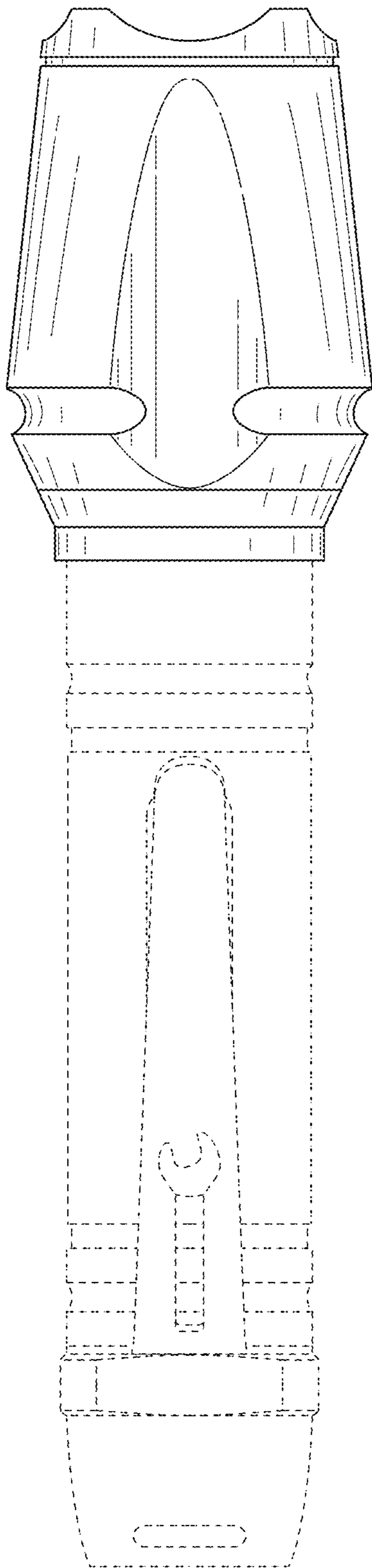


FIG. 2

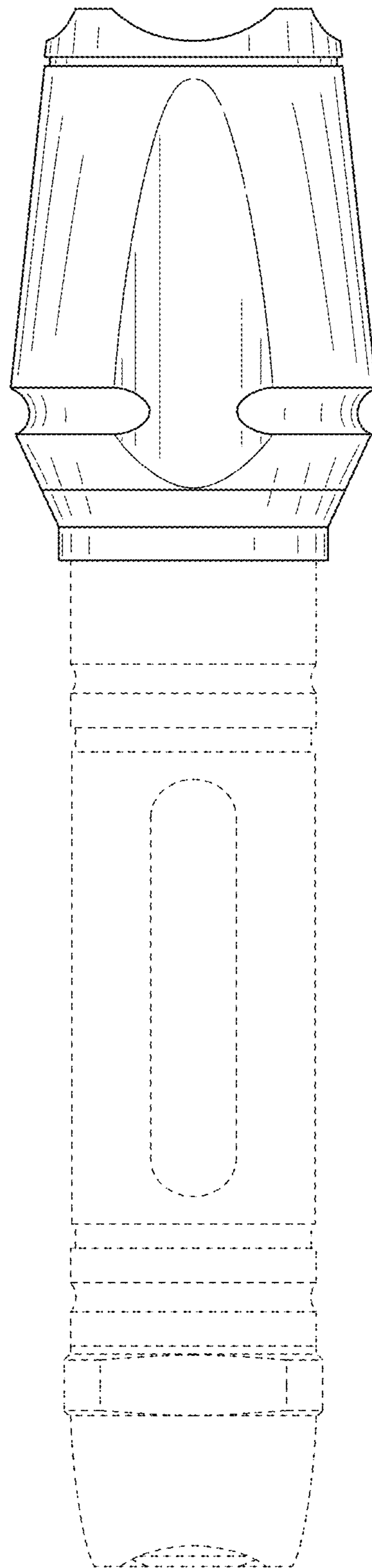


FIG. 3

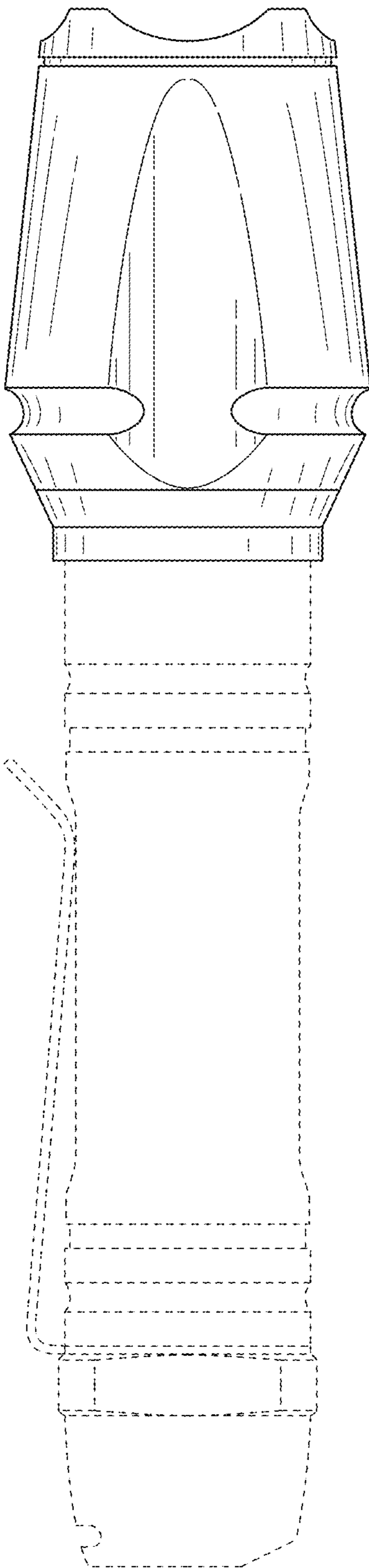


FIG. 4

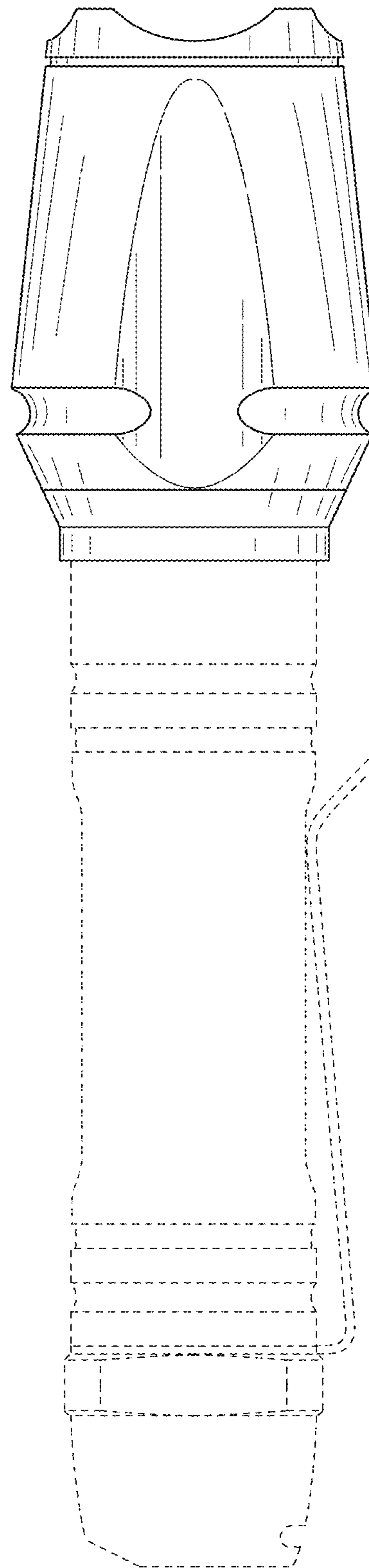


FIG. 5

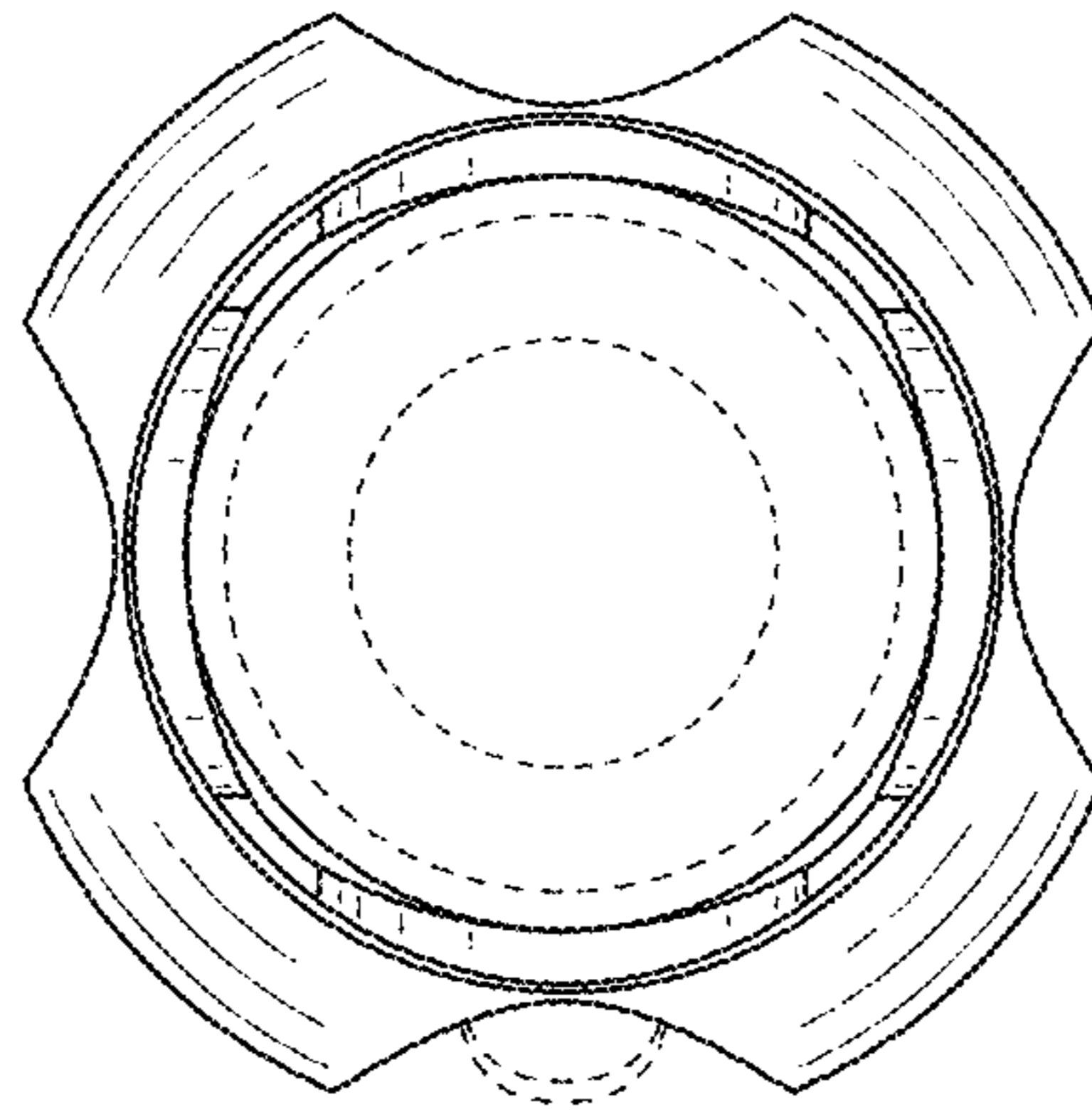


FIG. 6

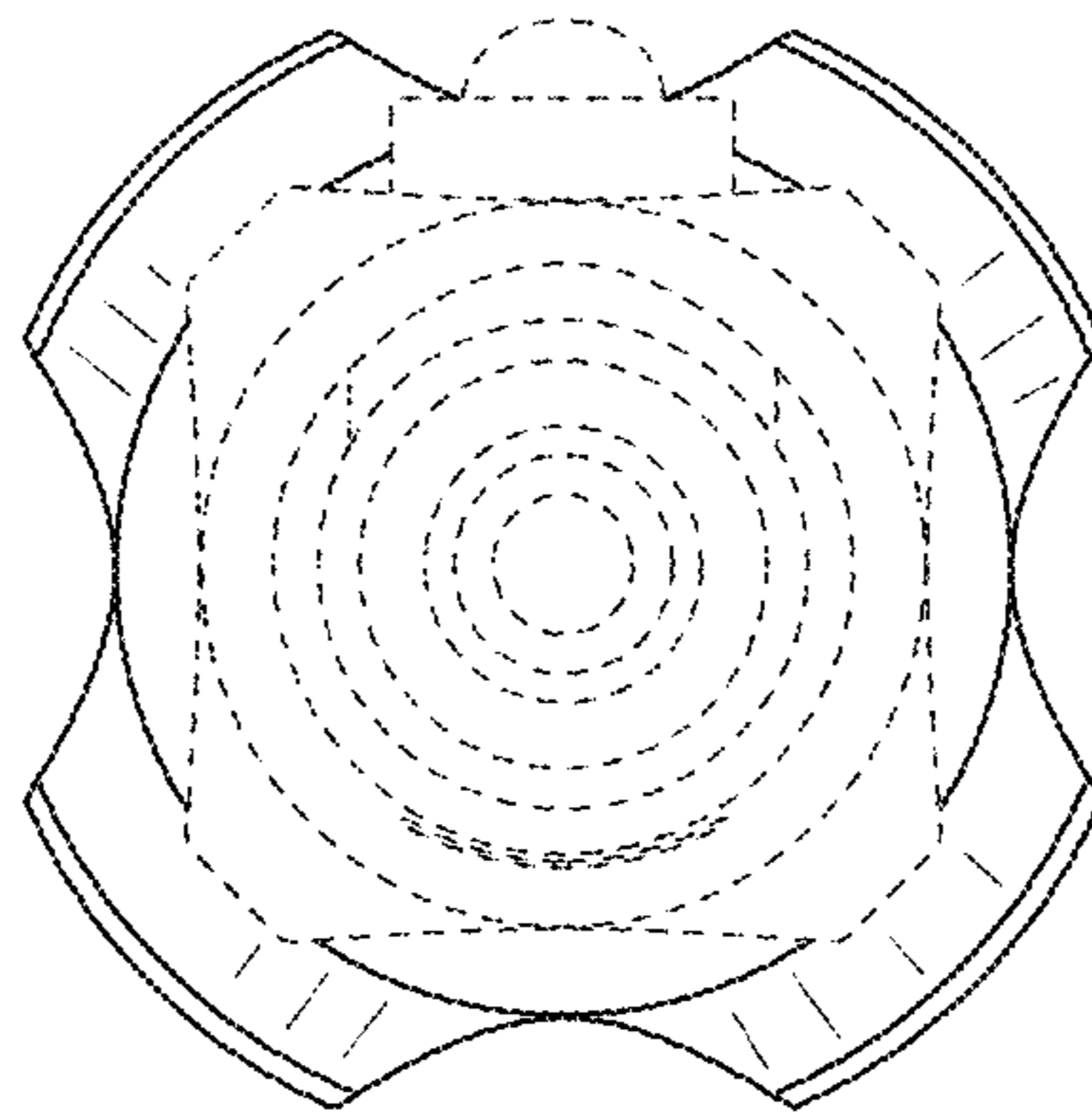


FIG. 7